



US00D885873S

(12) **United States Design Patent**  
**Deng**

(10) **Patent No.:** **US D885,873 S**

(45) **Date of Patent:** **\*\* Jun. 2, 2020**

(54) **CAR HOOK**

(71) Applicant: **Wenhong Deng**, Guangdong (CN)

(72) Inventor: **Wenhong Deng**, Guangdong (CN)

(\*\*) Term: **15 Years**

(21) Appl. No.: **29/721,244**

(22) Filed: **Jan. 19, 2020**

(51) **LOC (12) Cl.** ..... **08-05**

(52) **U.S. Cl.**  
USPC ..... **D8/367**

(58) **Field of Classification Search**  
USPC ..... D8/356, 354, 349; 361/826; 24/16 PB;  
D12/420, 223

CPC ..... A63B 29/00; A63B 27/00; B63B 59/02;  
B63B 21/045; H05K 5/0247

See application file for complete search history.

(56) **References Cited**

**U.S. PATENT DOCUMENTS**

D348,213 S *	6/1994	Moliner	.....	D8/367
D349,040 S *	7/1994	Moliner	.....	D8/367
D349,447 S *	8/1994	Daniller	.....	D8/367
D597,400 S *	8/2009	Matejcik	.....	D8/367
D606,848 S *	12/2009	Jimenez	.....	D8/395
D613,589 S *	4/2010	Goodman	.....	D8/367
D695,098 S *	12/2013	Hobson	.....	D8/395
D714,623 S *	10/2014	Pan	.....	D8/367

D769,700 S *	10/2016	Chinchon	.....	D8/356
D801,908 S *	11/2017	De Los Santos	.....	D12/223
D802,400 S *	11/2017	Man	.....	D8/367
D817,830 S *	5/2018	Archambault	.....	D12/190
D849,516 S *	5/2019	Johnson	.....	D8/367
D863,487 S *	10/2019	Pieper	.....	D21/840
D863,943 S *	10/2019	Knight	.....	D8/367
D865,494 S *	11/2019	Adelman	.....	
D871,306 S *	12/2019	Ward	.....	D12/223
D878,909 S *	3/2020	Krake	.....	D8/367

\* cited by examiner

*Primary Examiner* — Cynthia R Underwood

(74) *Attorney, Agent, or Firm* — ZANIP

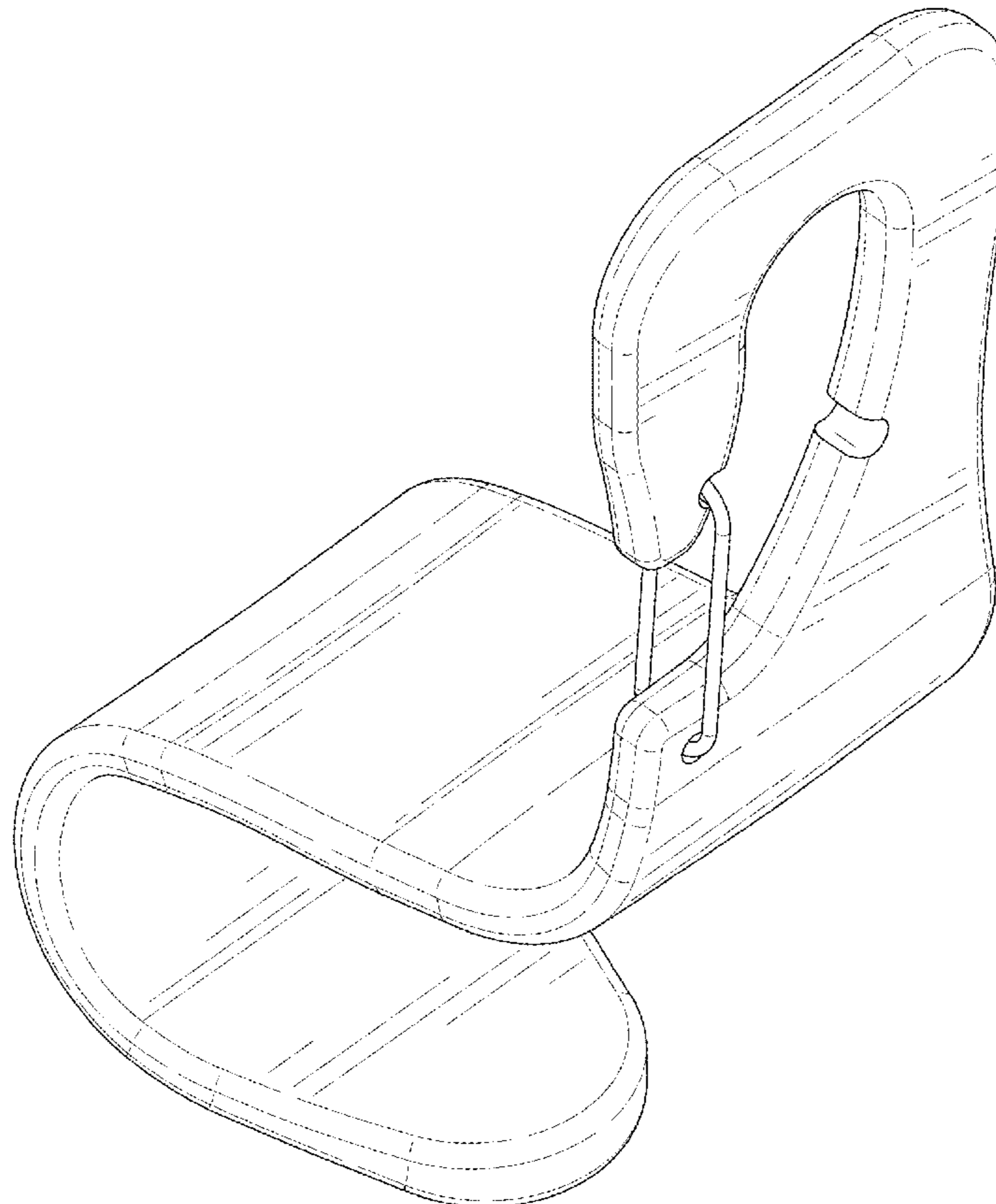
(57) **CLAIM**

The ornamental design for a car hook, as shown and described.

**DESCRIPTION**

FIG. 1 is a front and top perspective view of a car hook, showing my new design;  
 FIG. 2 is a rear and bottom perspective view thereof;  
 FIG. 3 is a front elevational view thereof;  
 FIG. 4 is a rear elevational view thereof;  
 FIG. 5 is a left side elevational view thereof;  
 FIG. 6 is a right side elevational view thereof;  
 FIG. 7 is a top plan view thereof; and,  
 FIG. 8 is a bottom plan view thereof.

**1 Claim, 8 Drawing Sheets**



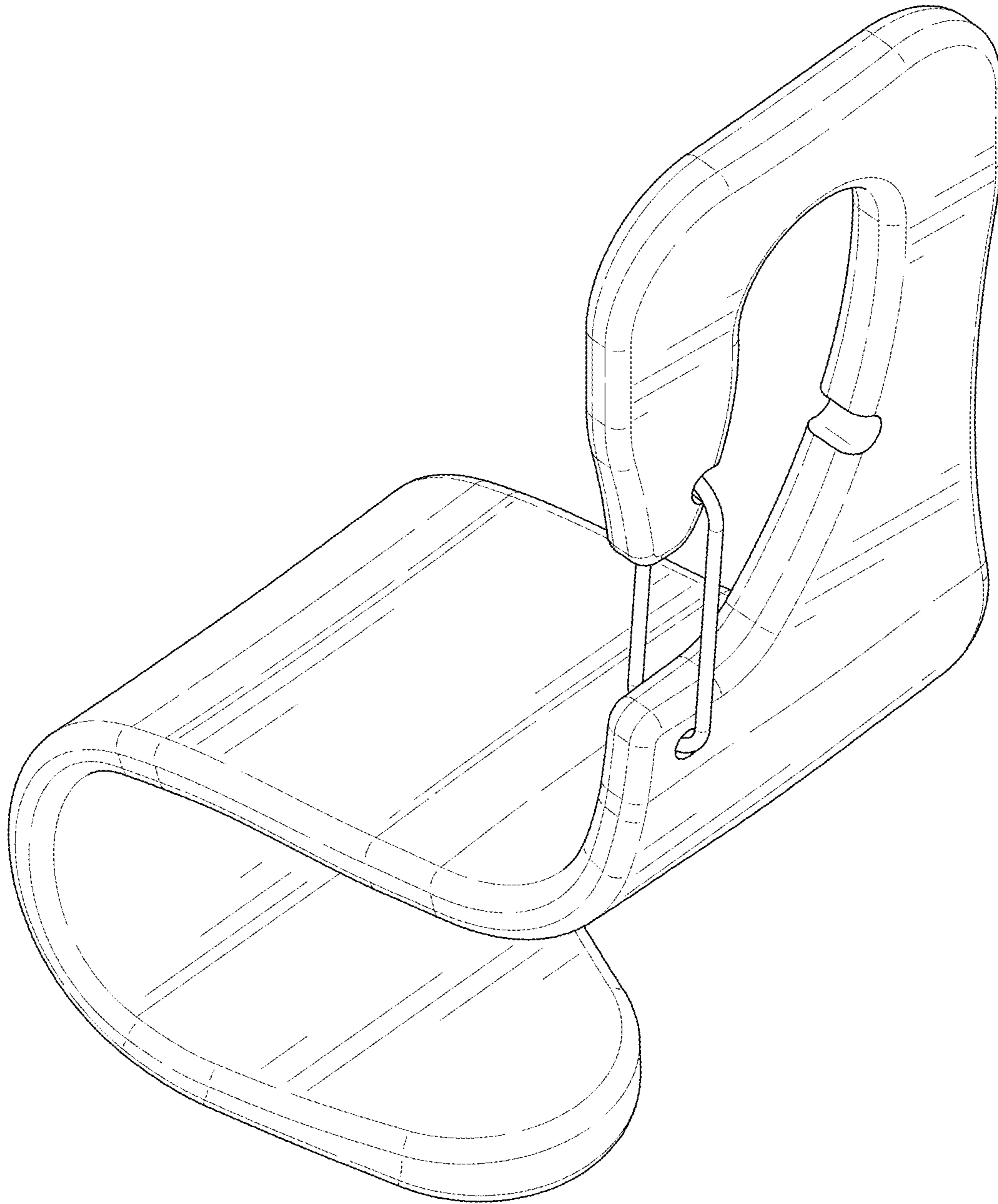


FIG. 1

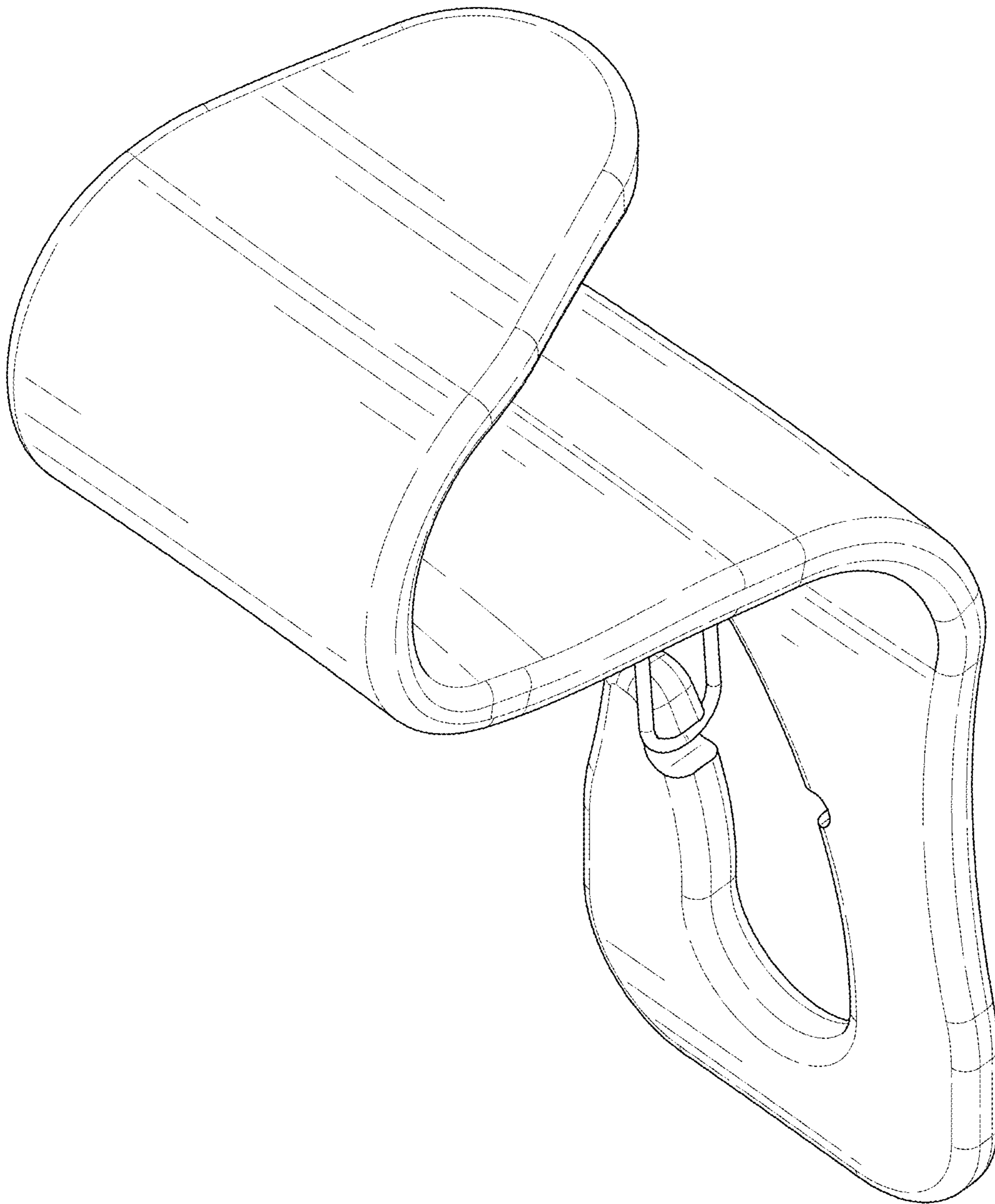


FIG. 2

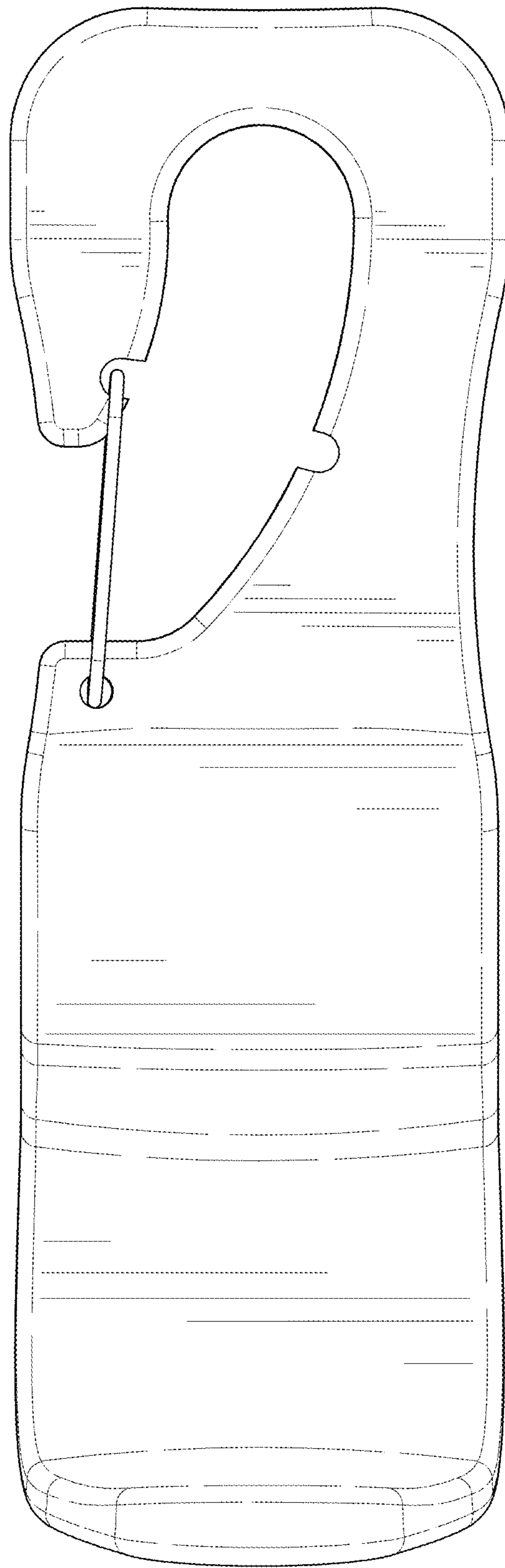


FIG. 3

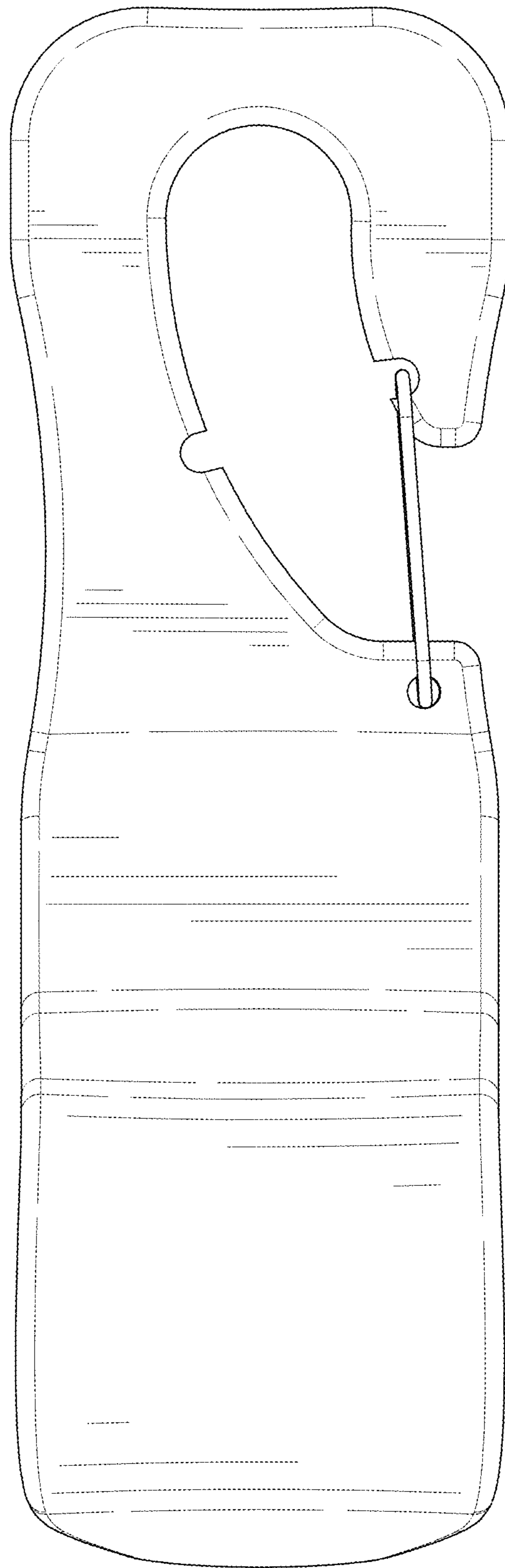


FIG. 4

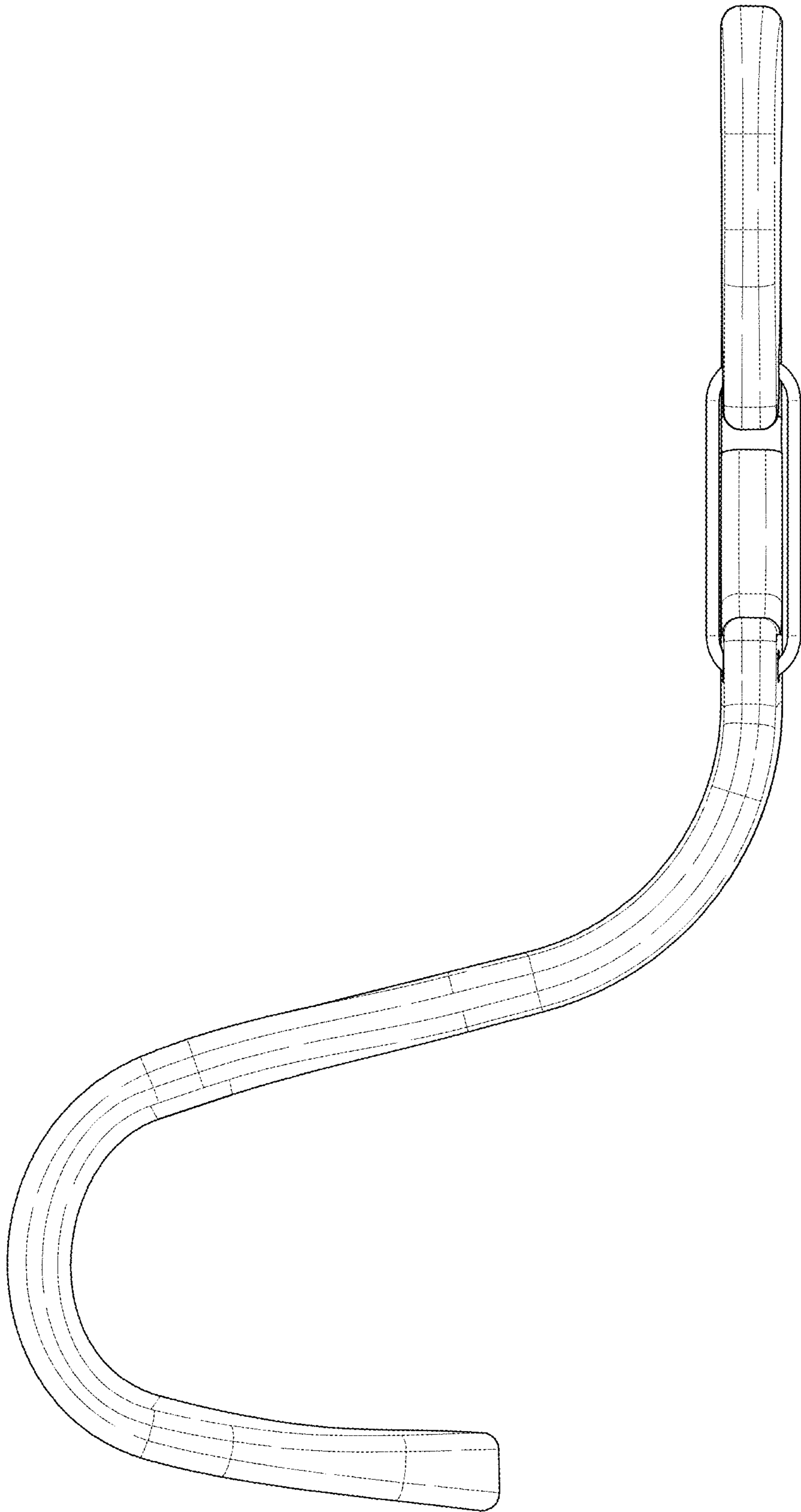


FIG. 5

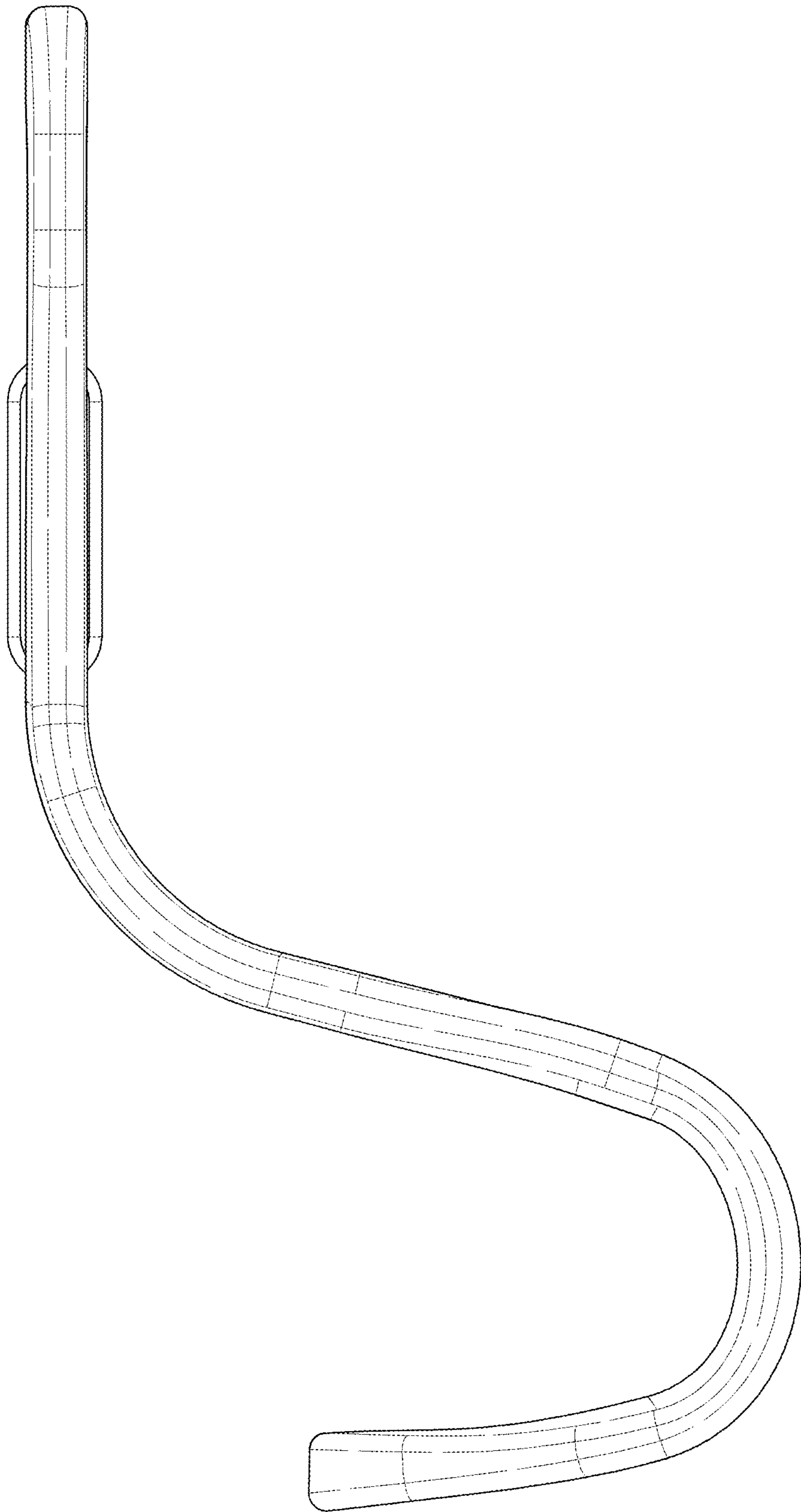


FIG. 6

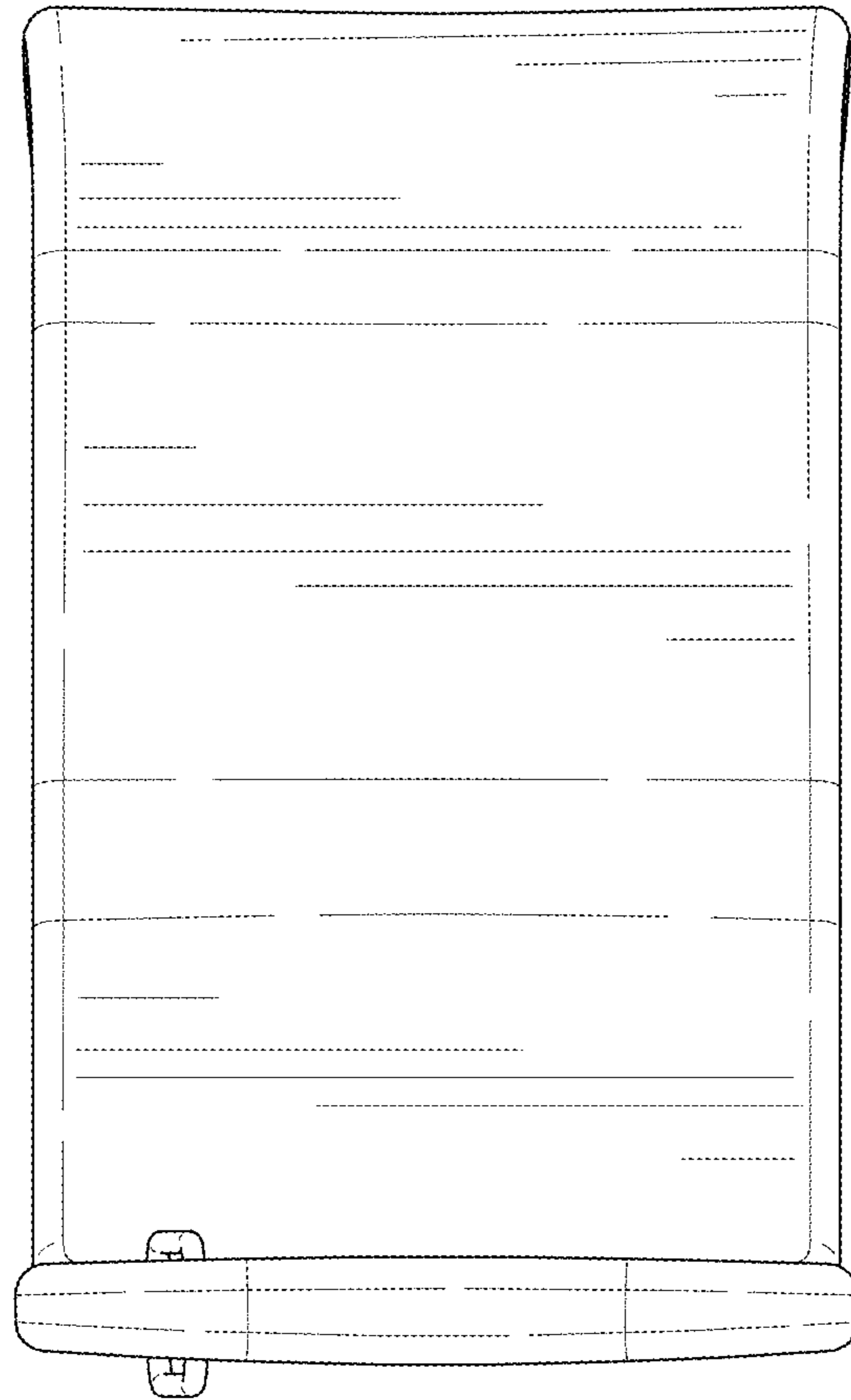


FIG. 7



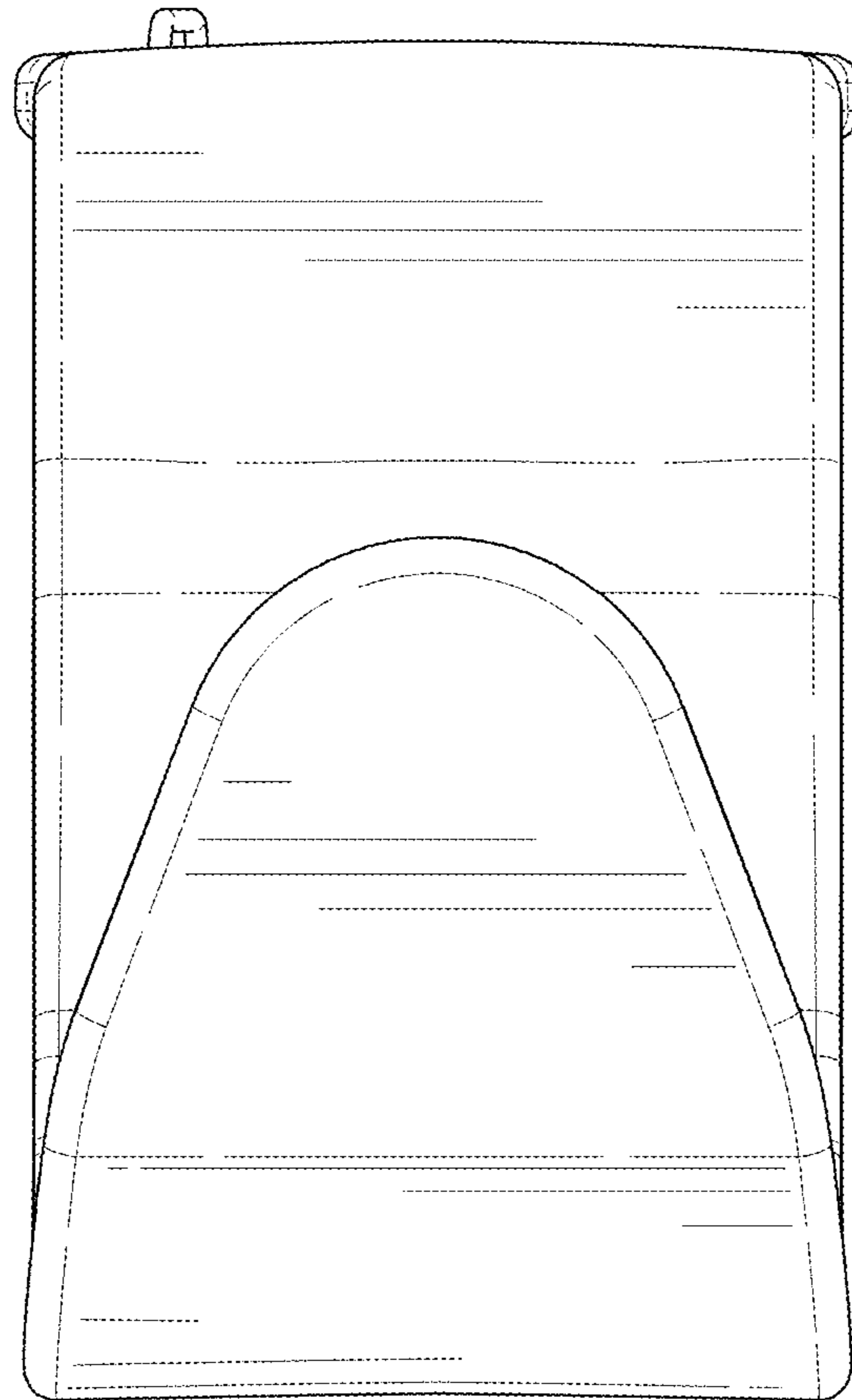


FIG. 8