



US00D885872S

(12) **United States Design Patent**
Miyawaki et al.

(10) **Patent No.:** **US D885,872 S**
(45) **Date of Patent:** **** Jun. 2, 2020**

(54) **HOSE REEL**

(71) Applicant: **IRIS OHYAMA INC.**, Sendai-shi,
Miyagi (JP)

(72) Inventors: **Masayuki Miyawaki**, Kakuda (JP);
Kohei Sato, Kakuda (JP); **Masahiro**
Yoshida, Kakuda (JP)

(73) Assignee: **IRIS OHYAMA INC.**, Sendai-shi (JP)

(**) Term: **15 Years**

(21) Appl. No.: **29/617,248**

(22) Filed: **Sep. 13, 2017**

(30) **Foreign Application Priority Data**

Mar. 17, 2017 (JP) 2017-005464

(51) **LOC (12) Cl.** **08-05**

(52) **U.S. Cl.**
USPC **D8/359**

(58) **Field of Classification Search**
USPC D08/373, 358, 359, 354, 71, 330, 336,
D08/351, 356, 360.1, 363, 364, 367, 370,
D08/372, 379, 381, 382, 395, 396;
D06/349, 352; D09/426, 502, 750;
D10/72, 73, 89; D11/79, 93; D13/103,
D13/107; D19/67; D21/673, 674, 675,
D21/839, 840; D25/19, 62, 68, 69;
D26/40, 49; D29/122, 124; D30/153,
D30/155; D12/162; D34/24, 26
CPC B65H 75/40; B65H 75/4407; B65H
75/4471; B65H 2701/34; B65H 2701/32;
B65H 2511/142; B65H 29/008; B65H
2701/33; B65H 54/585; B65H 51/22;
B65H 75/08; B65H 75/02; B65H
2301/41485; B65H 75/4468; B65H
2301/414323; B65H 2301/414325; B65H
16/02; B65H 2301/4131; B65H 75/403;
B65H 75/441; B65D 85/66; B65D 85/67;
B66D 3/006; B66D 3/18; B66D 3/26;
B66D 3/02; B66D

(Continued)

(56) **References Cited**

U.S. PATENT DOCUMENTS

3,908,277 A * 9/1975 Ritty G01B 3/1041
188/83
D318,941 S * 8/1991 Avery D34/33
(Continued)

FOREIGN PATENT DOCUMENTS

JP 1454535 S 11/2012
JP 1454779 S 11/2012

OTHER PUBLICATIONS

Iris Ohyama—hose reel—CPHR-20, posted Apr. 27, 2017, [retrieved
Jan. 17, 2019]. Retrieved from Internet, <URL: <https://www.amazon.co.jp/dp/B071V8FCH5> >.*

(Continued)

Primary Examiner — Shannon W Morgan
Assistant Examiner — Kristin E Reed
(74) *Attorney, Agent, or Firm* — Studebaker & Brackett
PC

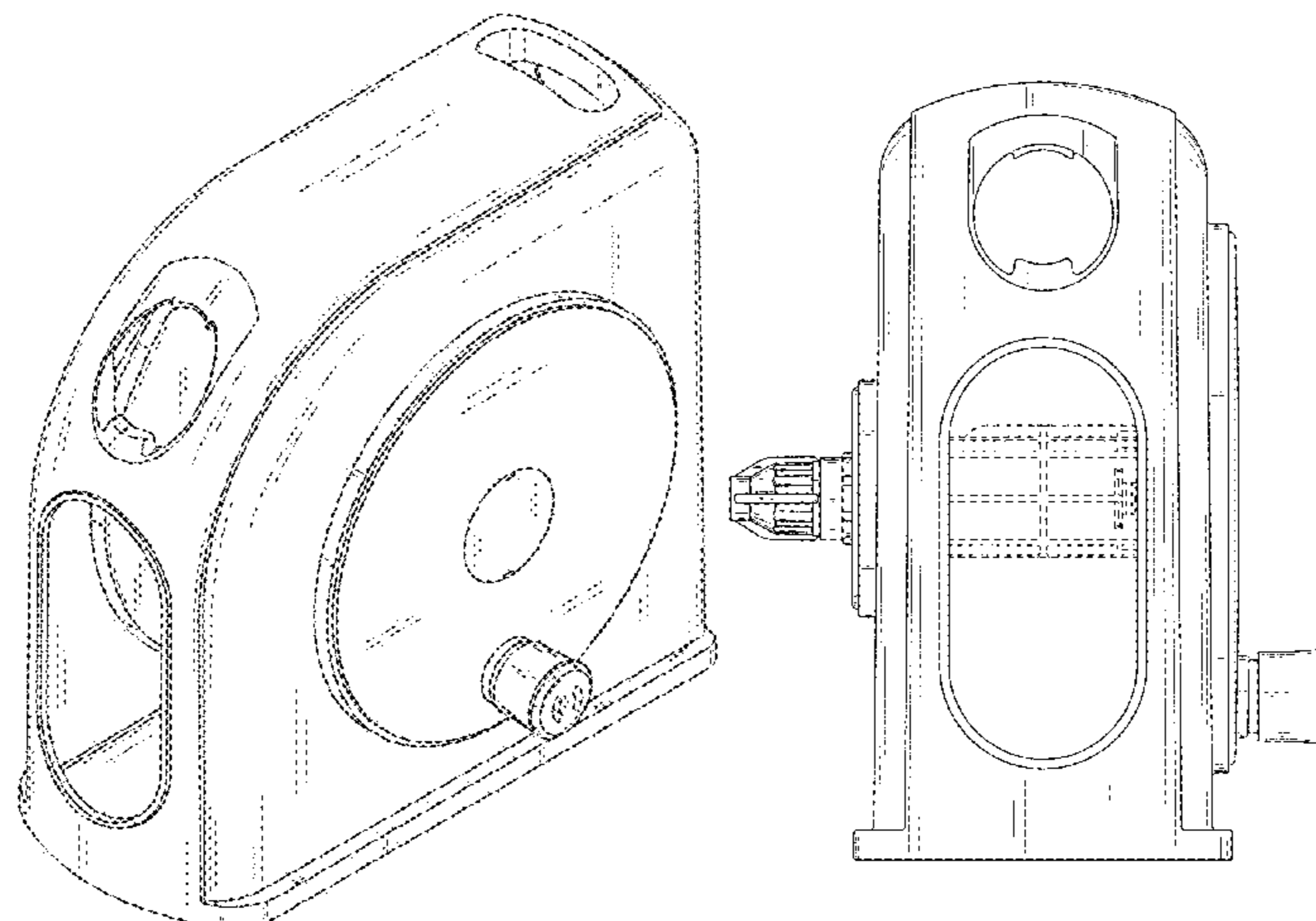
(57) **CLAIM**

The ornamental design for a hose reel, as shown and
described.

DESCRIPTION

FIG. 1 is a front, top and right-side perspective view of a
hose reel showing our new design;
FIG. 2 is a front view thereof;
FIG. 3 is a rear view thereof;
FIG. 4 is a top view thereof;
FIG. 5 is a bottom view thereof;
FIG. 6 is a right-side view thereof; and,
FIG. 7 is a left-side view thereof.
The broken lines illustrate portions of the hose reel and form
no part of the claimed design.

1 Claim, 7 Drawing Sheets



(58) **Field of Classification Search**

CPC 3/14; B63B 21/18; B63B 21/26; B65B 57/005; A61G 7/1051; A61G 7/1061; B66B 11/08; A62C 33/04; B08B 2203/0276; B21C 47/28; H02G 11/02; A01K 89/003; H04M 1/15; A01D 34/822; A47L 9/26; H04R 1/1033; E05C 19/10; E05C 17/50; E05C 3/045; E05C 3/30; E05C 19/02; E05C 19/026; A47G 25/0614; A47G 25/18; A47G 25/32; A47G 7/047; A47G 7/045; A47G 7/042; A47G 7/044; F16B 12/44; F16B 12/46; F16B 5/0614; F16B 12/02; A47B 88/0055; E04F 11/1812; E04B 1/2612; E04B 2001/2415; E04B 1/5818; E04B 1/5831; F16L 1/0246; A01G 31/001; A01G 9/02; A01G 9/083; A01G 9/12; A01G 9/024; A01G 25/14; A01G 27/001; A01G 9/042; A01G 27/005; B60D 1/185; B60P 7/083; B60P 7/0853; B60P 7/0823; Y10S 24/909; Y10T 24/2164; Y10T 24/2175

See application file for complete search history.

(56) **References Cited**

U.S. PATENT DOCUMENTS

D407,750 S * 4/1999 Watters D19/67
 6,490,809 B1 * 12/2002 Li G01B 3/1005
 33/755

D729,082 S * 5/2015 Nelson D10/72
 D737,669 S * 9/2015 Anderson D8/359
 9,221,652 B2 * 12/2015 Skowronski B65H 75/4449
 D764,325 S * 8/2016 Mathews, Jr. D10/72
 D785,475 S * 5/2017 Graykowski D10/72
 D788,611 S * 6/2017 Anderson D10/72
 D812,500 S * 3/2018 Lopez D10/72
 D813,653 S * 3/2018 Gubbins D8/358
 2014/0117137 A1 * 5/2014 Diamond B60P 7/083
 242/384.2

OTHER PUBLICATIONS

Iris Oyama Horse Hose Reel hot water compatible white / Orange OCHR-15, posted unknown, [retrieved Jan. 17, 2019]. Retrieved from Internet, <URL: <https://sano.shop/en/products/detail/323162> >.*

No Crank RS10001 Classic 100-Foot Water Powered Retractable Garden Hose Reel, posted Jun. 16, 2004, [retrieved Jan. 17, 2019]. Retrieved from Internet, <URL: <https://www.amazon.com/RS10001-Classic-100-Foot-Retractable-Reel/dp/B0001GMGMI> >.*

Takagi—hose reel—EM220FJ, posted as early as May 22, 2009, [retrieved Jan. 17, 2019]. Retrieved from Internet, <URL: https://www.amazon.co.jp/dp/B002ARTH2S/ref=sspa_dk_detail_0?psc=1&pd_rd_i=B002ARTH2S >.*

An Office Action; “Notice of Allowance”, issued by the Japanese Patent Office dated Jun. 30, 2017, which corresponds to Japanese Design Application No. 2017-005464; with English language Concise Explanation.

Iris Ohyama Inc.; The Japanese Patent Office Design Division known document No. HJ25048789.

* cited by examiner

FIG. 1

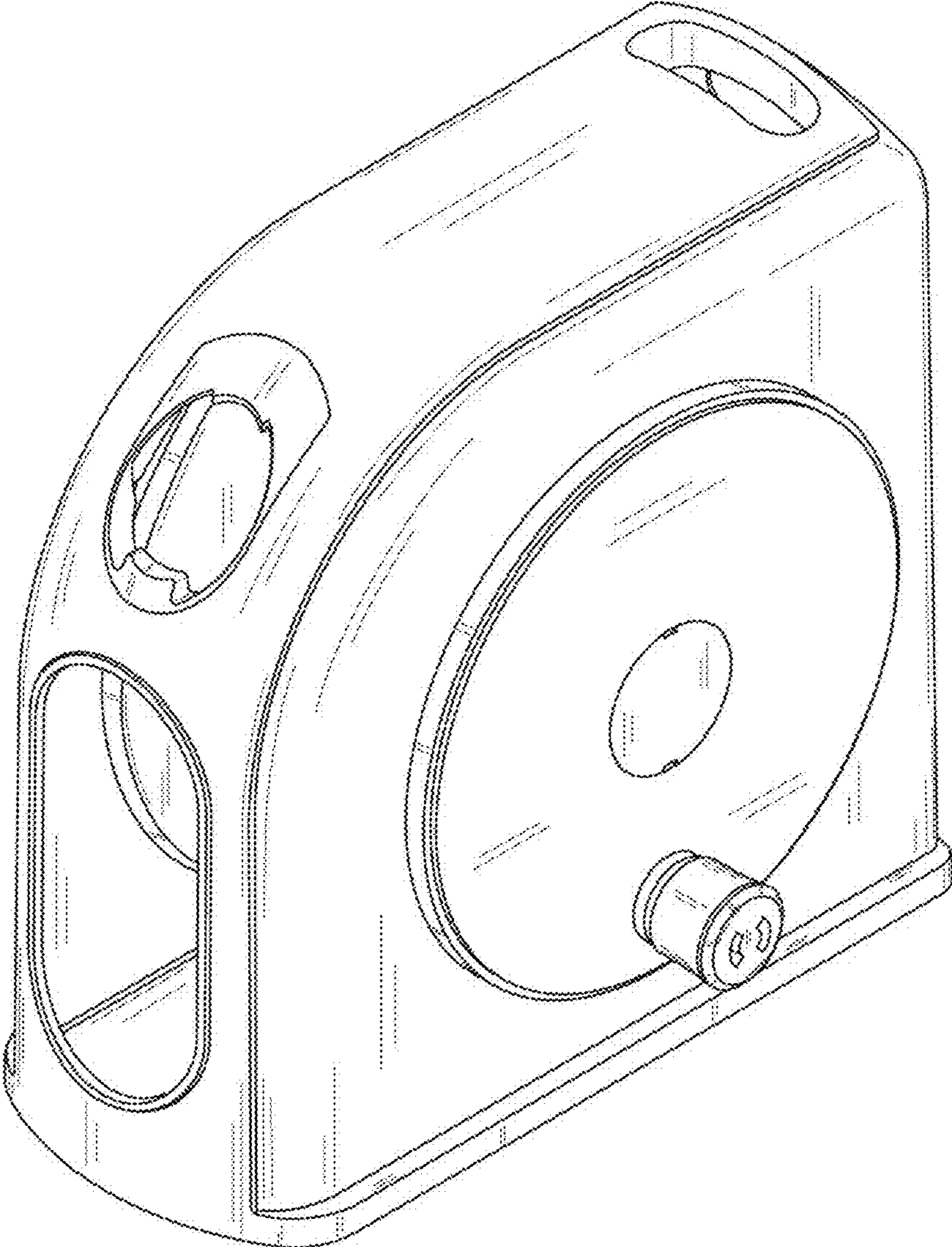


FIG.2

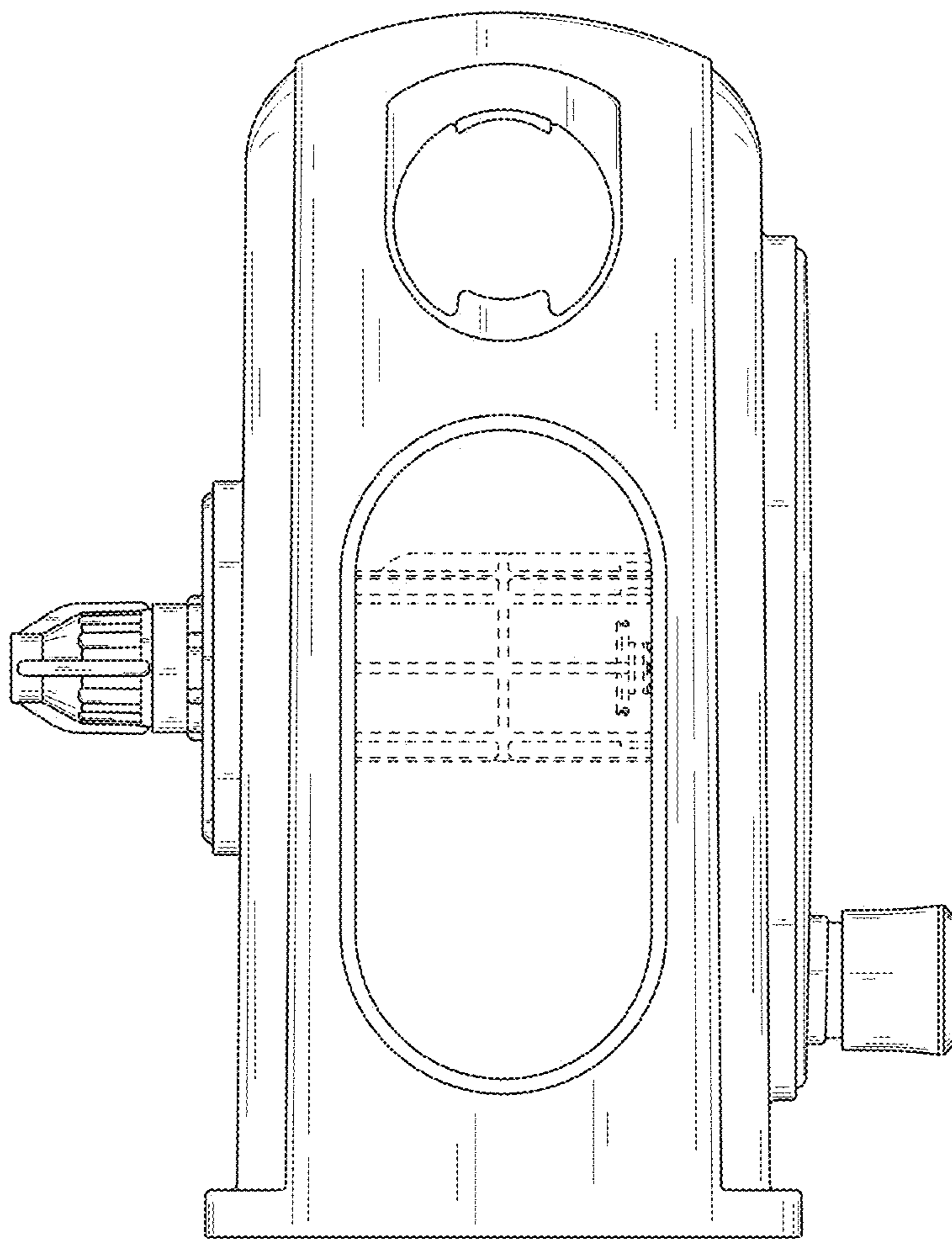


FIG.3

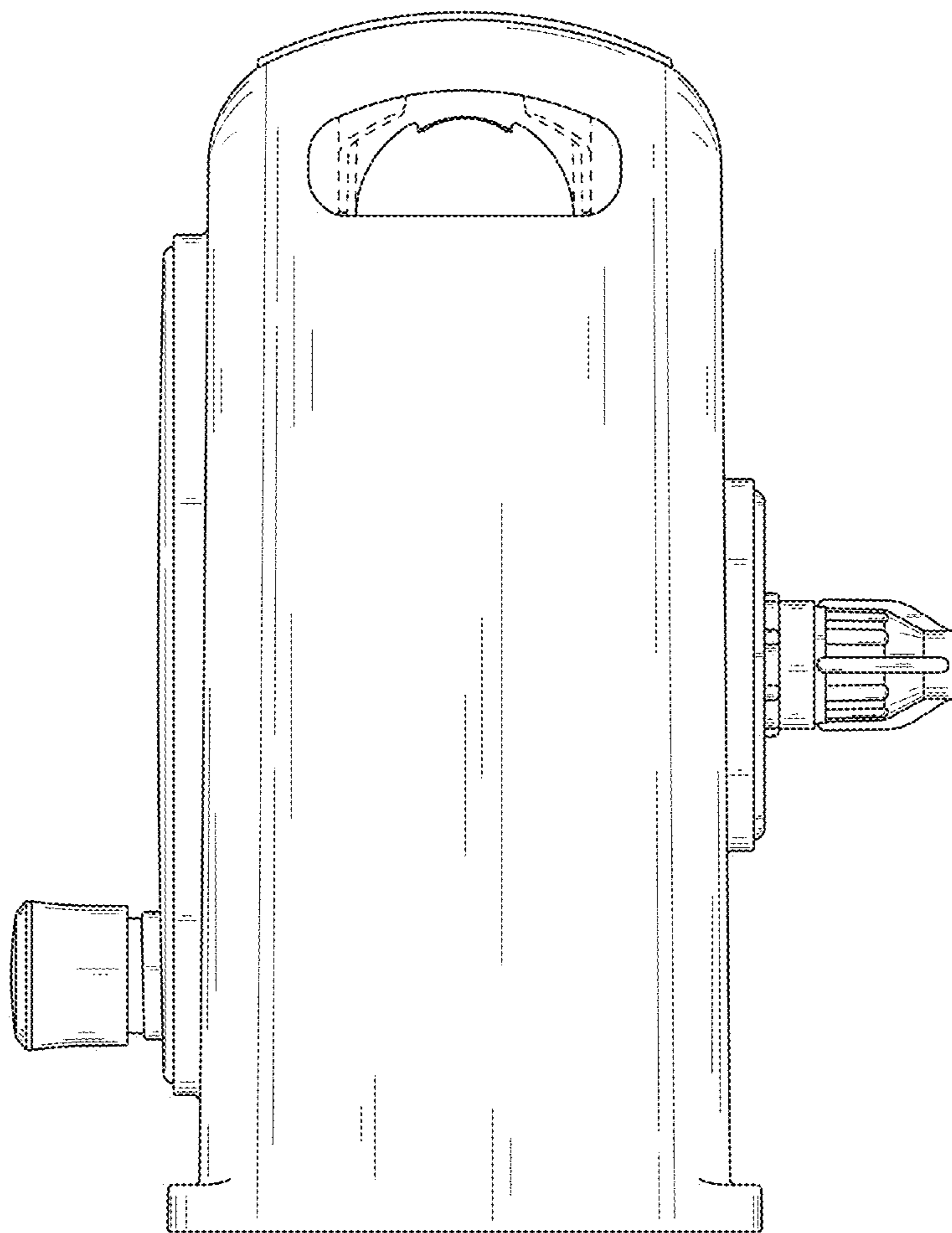


FIG.4

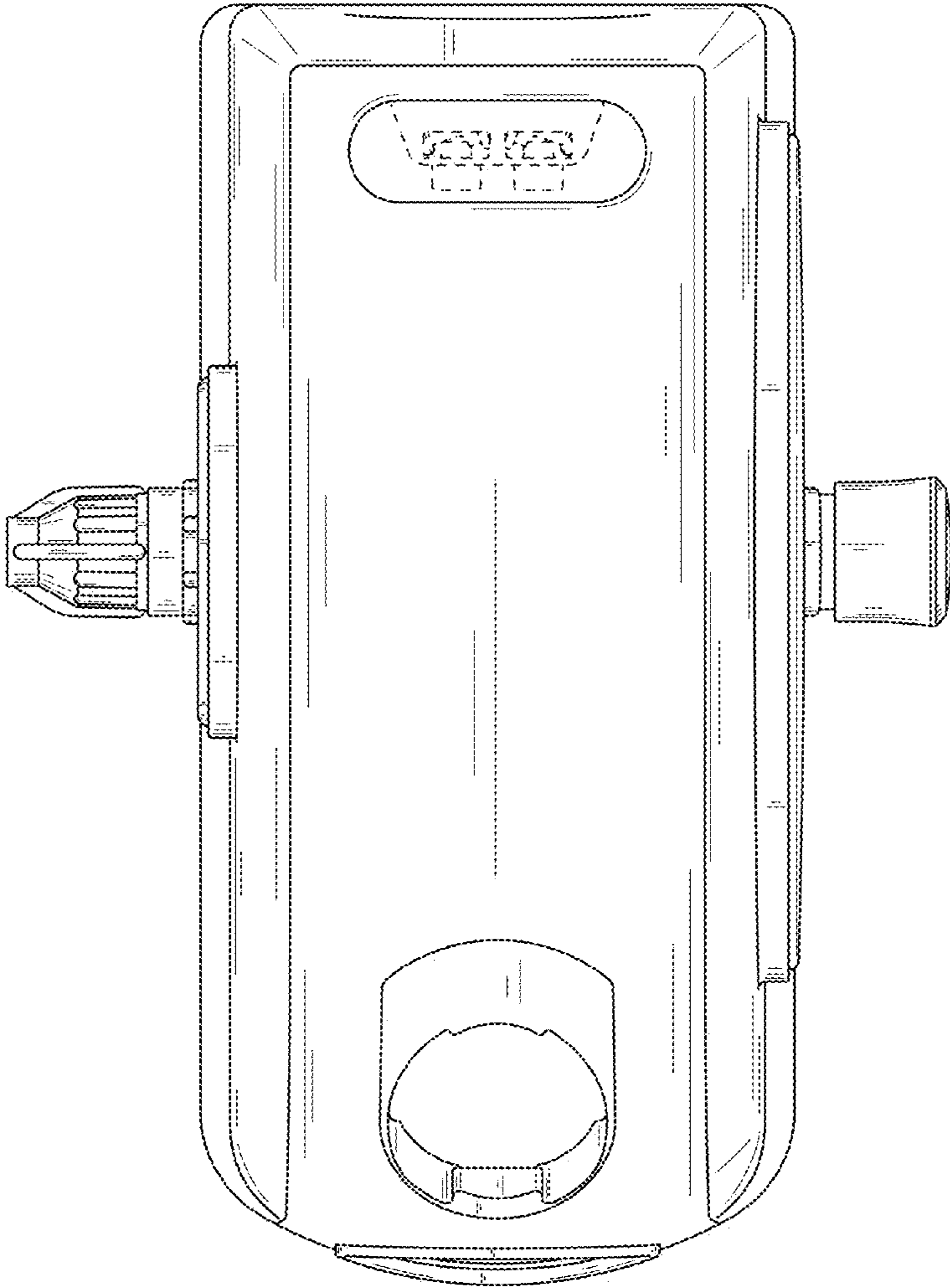


FIG.5

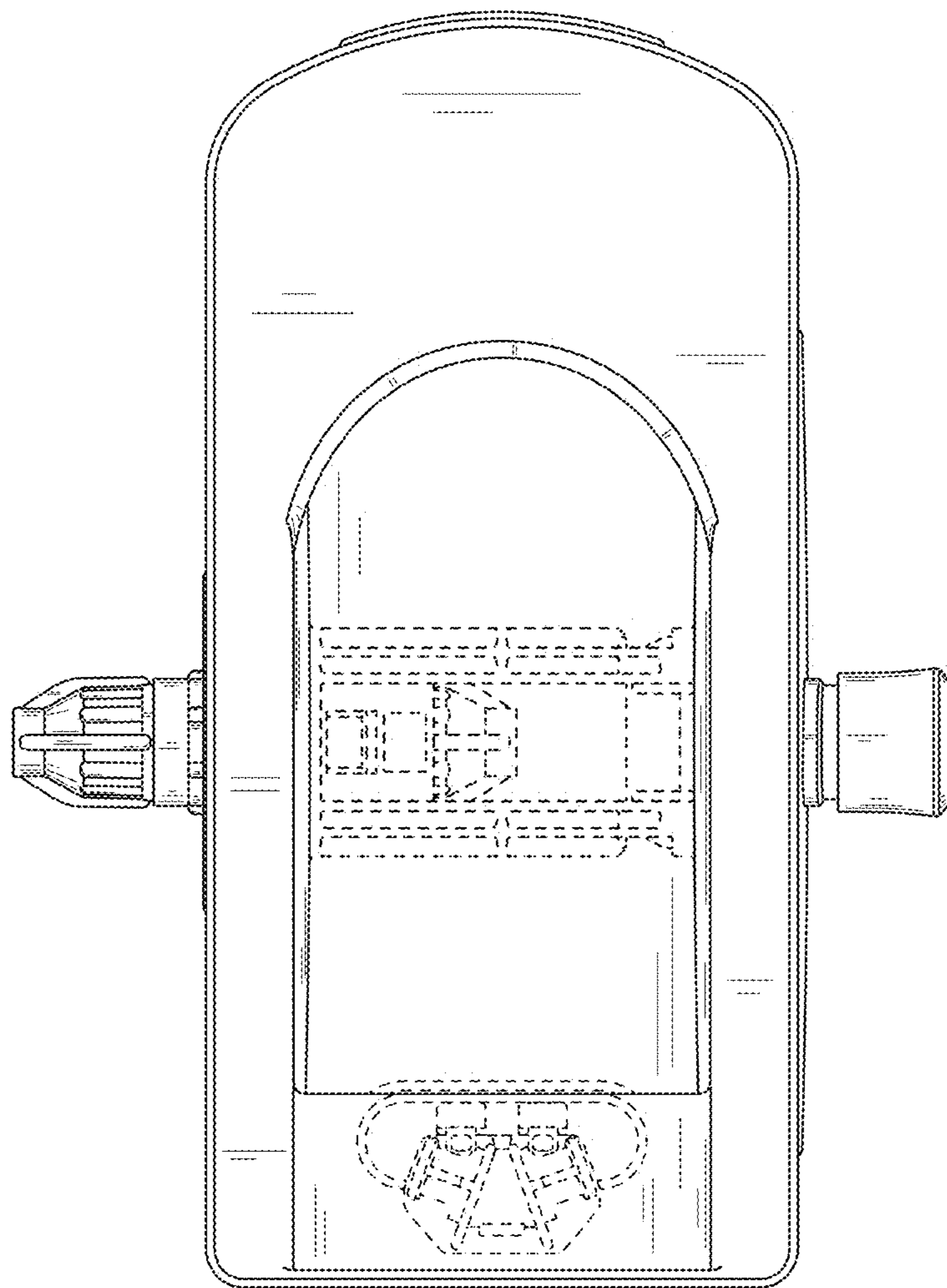


FIG. 6

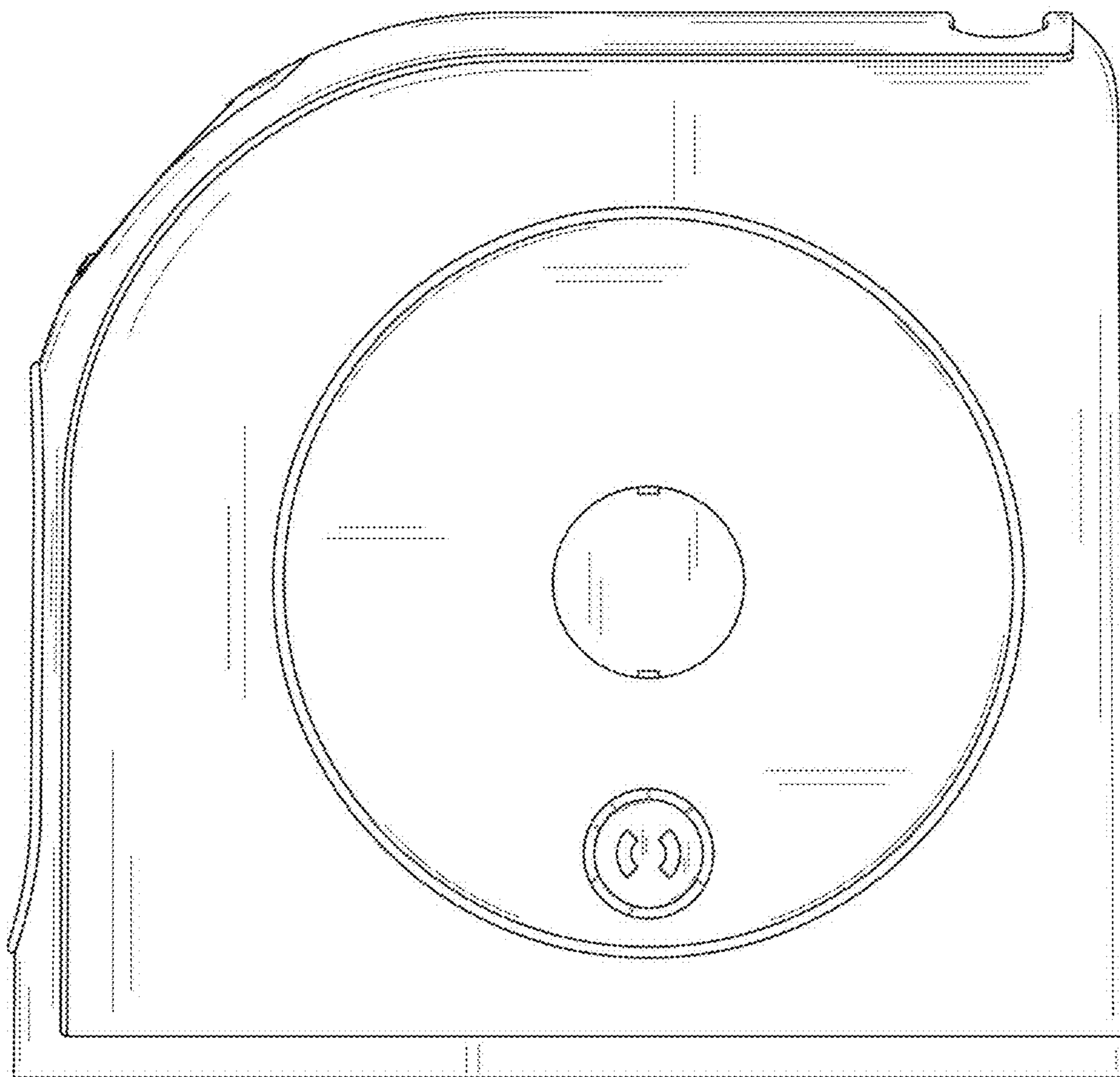


FIG. 7

