



US00D885871S

(12) **United States Design Patent**
Adelman

(10) **Patent No.:** **US D885,871 S**
(45) **Date of Patent:** **** Jun. 2, 2020**

- (54) **CLIP**
- (71) Applicant: **Greyfin LLC**, Boulder, CO (US)
- (72) Inventor: **Gregory Marc Adelman**, Boulder, CO (US)
- (73) Assignee: **Greyfin LLC**, Boulder, CO (US)
- (**) Term: **15 Years**
- (21) Appl. No.: **29/698,787**
- (22) Filed: **Jul. 19, 2019**

D520,345 S *	5/2006	Kelleghan	D8/356
D527,988 S *	9/2006	Shetler	D8/356
D598,732 S *	8/2009	Bizzell	D8/356
D602,766 S *	10/2009	Kelleghan	D8/356
D614,936 S *	5/2010	Petzl	D8/356
D614,937 S *	5/2010	Kelleghan	D8/356
D626,393 S *	11/2010	Ormsbee	D8/18
D645,336 S *	9/2011	Drazin	D8/367
D646,556 S *	10/2011	Kelleghan	D8/356
D655,999 S *	3/2012	Kelleghan	D8/356
D657,660 S *	4/2012	Petty	D8/355
D684,452 S *	6/2013	Petzl	D8/356
D693,207 S *	11/2013	Petzl	D8/356

(Continued)

Related U.S. Application Data

- (63) Continuation of application No. 29/645,970, filed on Apr. 30, 2018, now Pat. No. Des. 854,401.
- (51) **LOC (12) Cl.** **08-05**
- (52) **U.S. Cl.**
USPC **D8/356**
- (58) **Field of Classification Search**
USPC D8/349, 354, 356, 382, 383, 394, 395,
D8/396; D3/207, 215
CPC A45F 5/00; A45F 2005/006; A63B 29/02;
A63B 21/04; Y10T 24/4534; Y10T
24/45272; Y10T 24/45276; Y10T
24/45173; A62B 35/0037
See application file for complete search history.

(56) **References Cited**

U.S. PATENT DOCUMENTS

D281,483 S *	11/1985	Faidide	D8/367
D282,904 S *	3/1986	Faidide	D8/367
D375,252 S *	11/1996	Serra Fabregas	D8/356
D454,054 S *	3/2002	Kelleghan	D8/356
D458,533 S *	6/2002	Sonju	A63B 29/02 D8/356
D468,997 S *	1/2003	Chang	D8/356
D470,393 S *	2/2003	Kelleghan	D8/356
D475,605 S *	6/2003	Kelleghan	D8/356

OTHER PUBLICATIONS

Kickstarter, "Binary Titanium Key Carabiner | Safety Gate | Bottle Opener," (<https://www.kickstarter.com/projects/1258952665/binary-titanium-key-carabiner-safety-gate-bottle-o>), published Jan. 14, 2016, retrieved Jul. 23, 2018, 32 Pages.

Primary Examiner — Steven J Czyz
(74) *Attorney, Agent, or Firm* — Sterne, Kessler, Goldstein & Fox P.L.L.C.

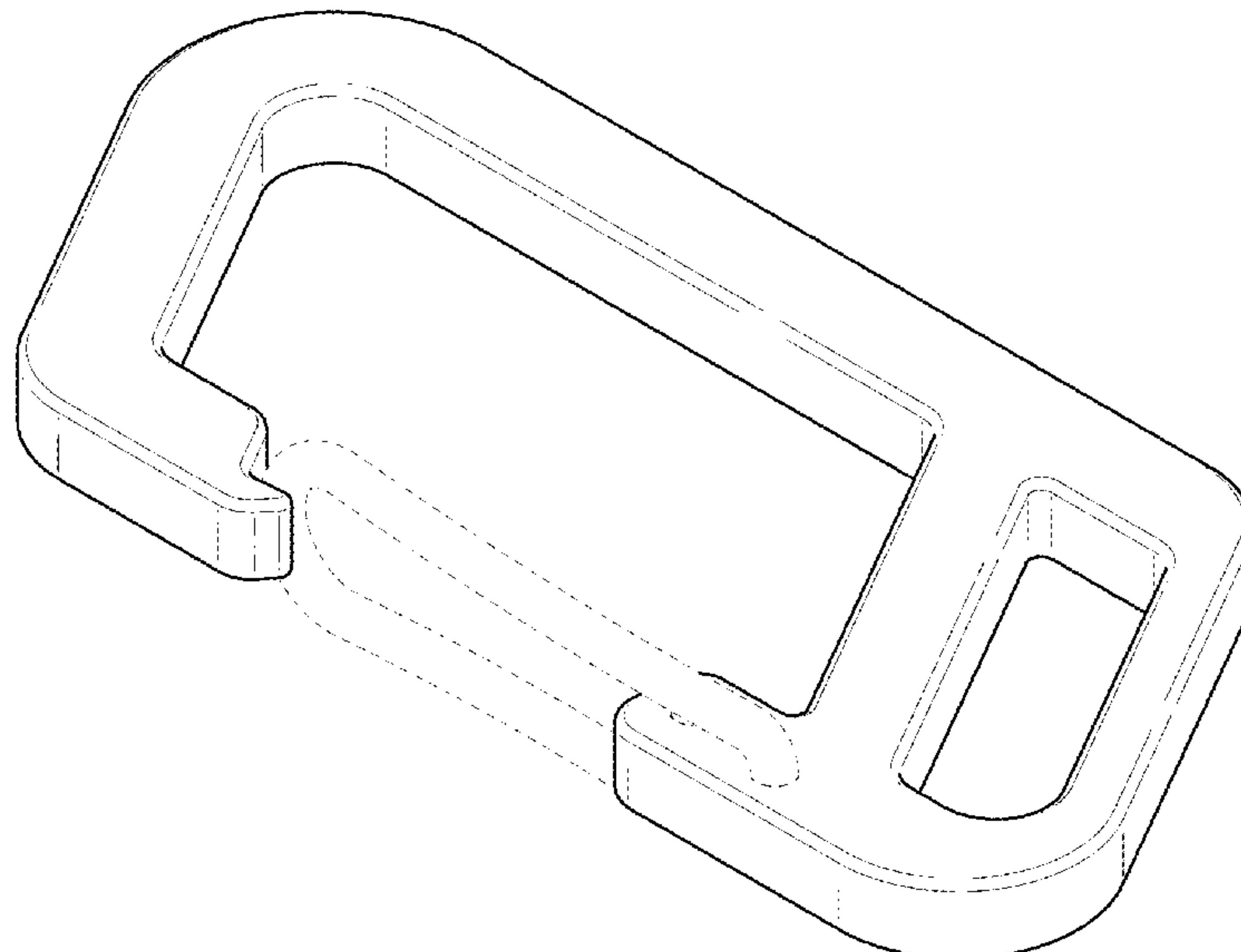
(57) **CLAIM**

The ornamental design for a clip, as shown and described.

DESCRIPTION

FIG. 1 is a bottom front perspective view of a clip showing the claimed design;
FIG. 2 is a front view thereof;
FIG. 3 is a rear view thereof;
FIG. 4 is a left side view thereof;
FIG. 5 is a right side view thereof;
FIG. 6 is a top view thereof; and,
FIG. 7 is a bottom view thereof.
The broken lines in the figures show portions of the clip that form no part of the claimed design.

1 Claim, 5 Drawing Sheets



(56)

References Cited

U.S. PATENT DOCUMENTS

8,621,728 B2 * 1/2014 Christianson F16B 45/02
24/599.5
D698,625 S * 2/2014 Liang D8/356
D702,110 S * 4/2014 Gobbi D8/356
8,955,203 B2 * 2/2015 Tardif F16B 45/02
24/599.5
D730,159 S * 5/2015 Grimm D8/356
D730,722 S * 6/2015 Grimm D8/356
D732,937 S * 6/2015 McEvilly D8/367
D735,559 S * 8/2015 Liang D8/356
9,322,428 B2 * 4/2016 Perner F16B 45/02
D765,493 S * 9/2016 Spater D8/356
9,445,659 B1 * 9/2016 Nix A45F 5/00
D773,911 S * 12/2016 Louis D8/34
D785,317 S * 5/2017 Grossman D3/208
D786,049 S * 5/2017 Austin D8/356
D786,655 S * 5/2017 Petzl D8/356
D788,572 S * 6/2017 Votel D8/356
9,719,552 B2 * 8/2017 Moine A62B 35/0037
D809,370 S * 2/2018 Tang D8/356
D821,090 S * 6/2018 Case D3/207
D827,418 S * 9/2018 Austin D8/356
D833,855 S * 11/2018 Page D8/356
D834,401 S * 11/2018 Penn D8/356
D836,422 S * 12/2018 Gobbi D8/356
D837,635 S * 1/2019 Petzl D8/356
D854,401 S * 7/2019 Adelman D8/356
D856,118 S * 8/2019 Adelman D8/356
2002/0050032 A1 * 5/2002 Carnall F16B 45/02
24/600.2

* cited by examiner

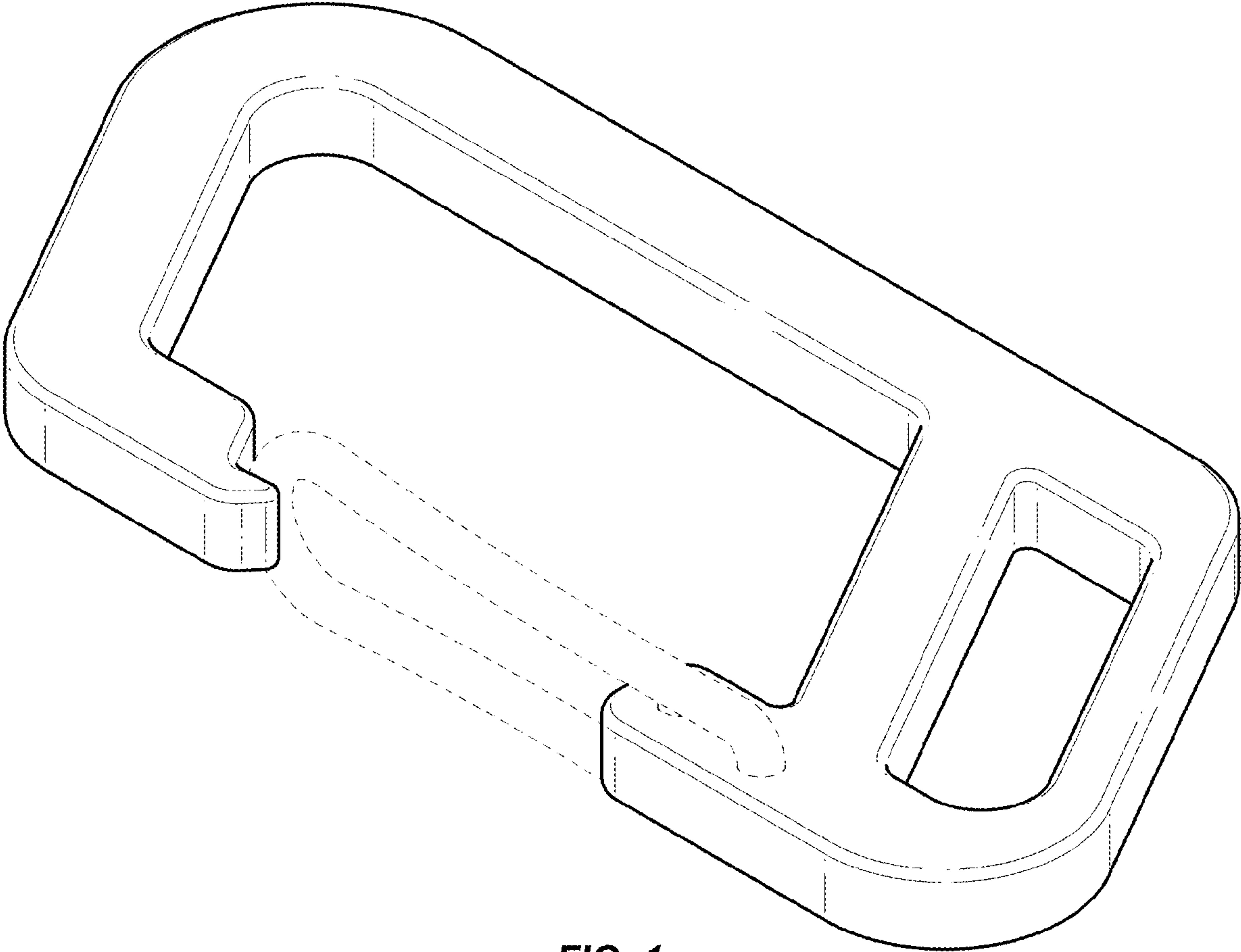


FIG. 1

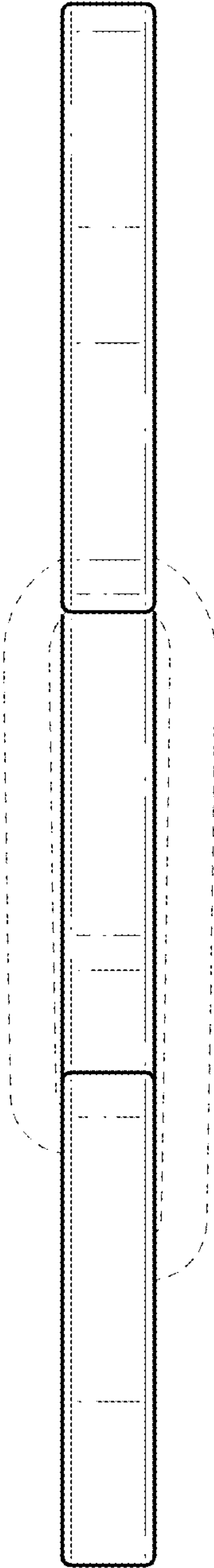


FIG. 2

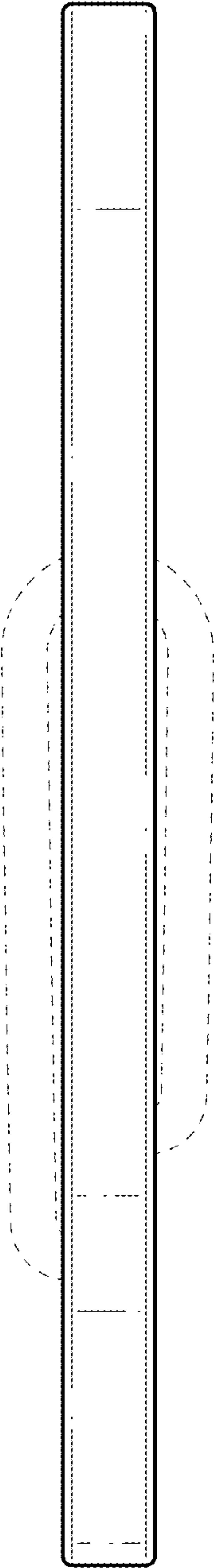


FIG. 3

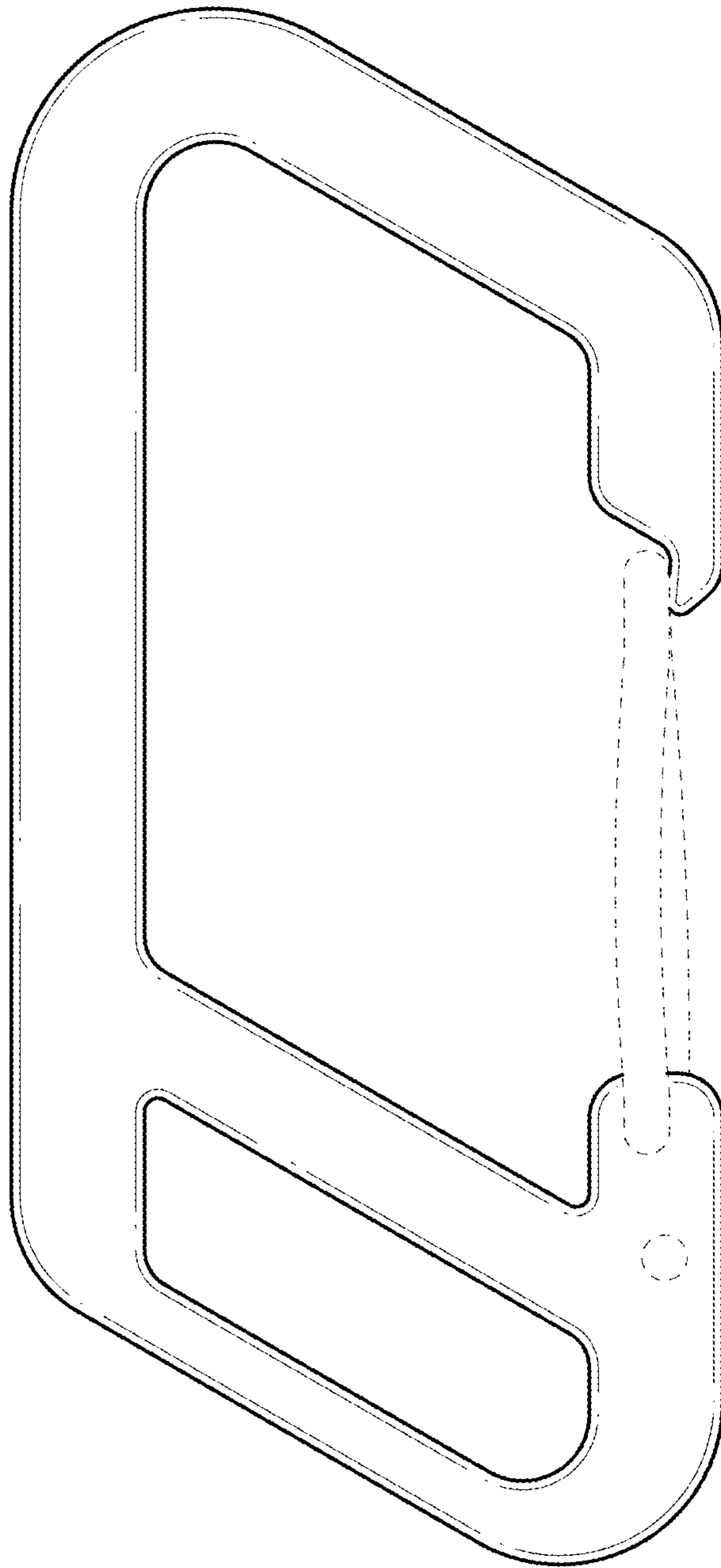


FIG. 4

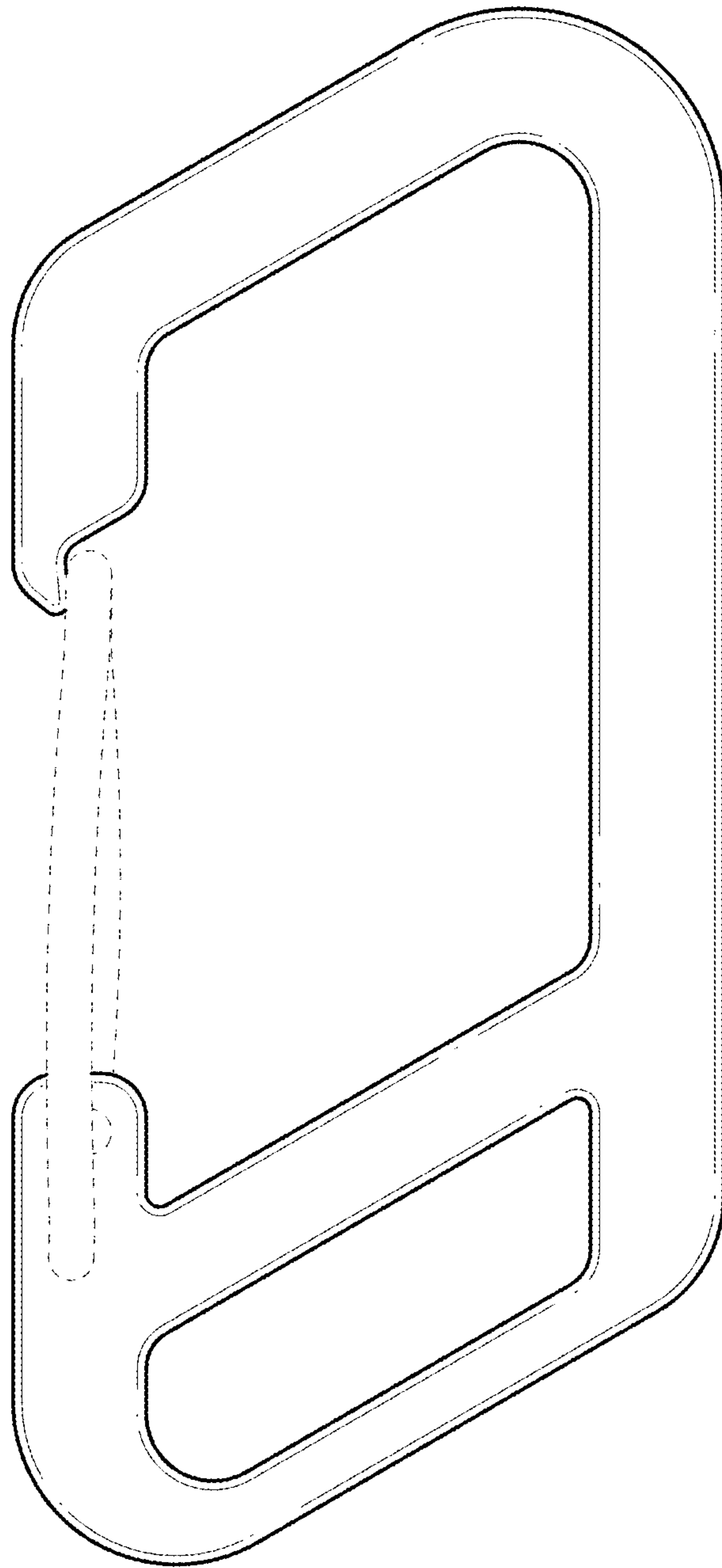


FIG. 5

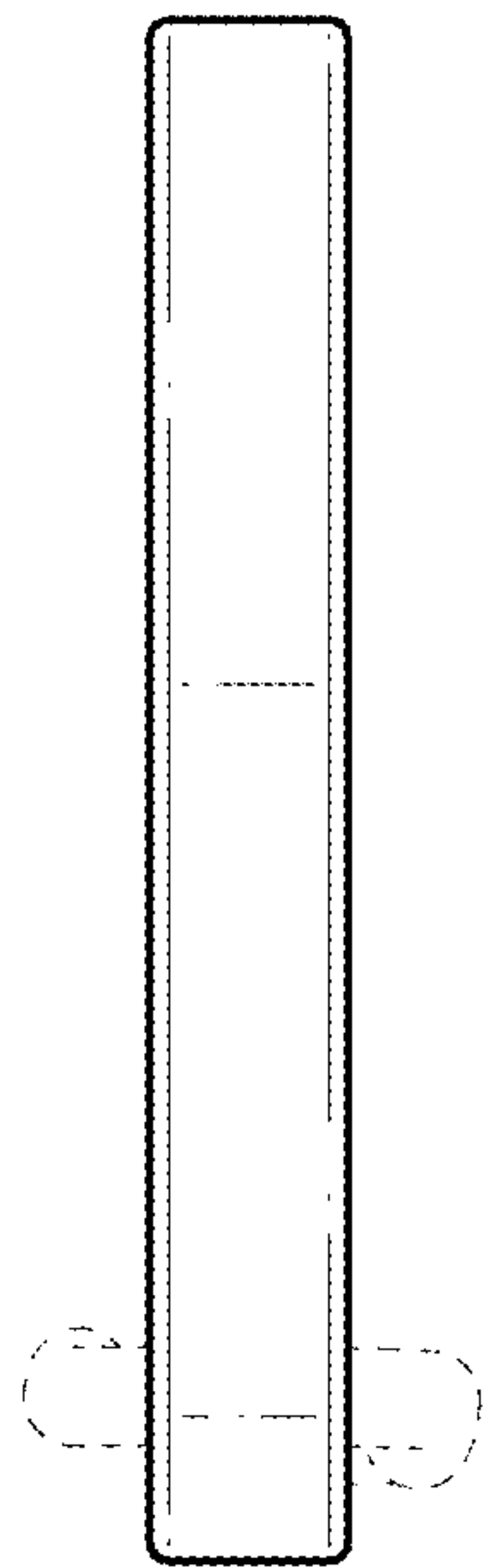


FIG. 6

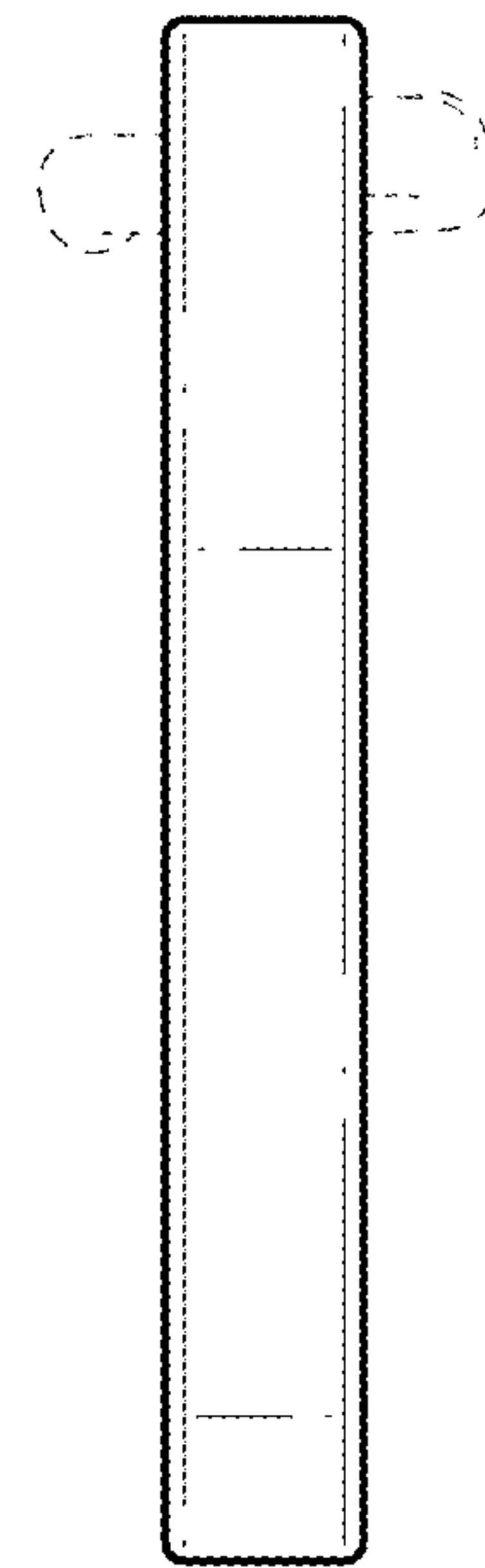


FIG. 7