



US00D885870S

(12) **United States Design Patent**
Reilly et al.

(10) **Patent No.:** **US D885,870 S**

(45) **Date of Patent:** **** Jun. 2, 2020**

- (54) **CORD MANAGEMENT WRAP**
- (71) Applicant: **Staples Brands, Inc.**, Framingham, MA (US)
- (72) Inventors: **Daniel Reilly**, Watertown, MA (US); **Logan Steinfeld**, Boston, MA (US); **Tae Han Ko**, Worcester, MA (US); **Jordan Nollman**, Cambridge, MA (US); **Benjamin Oakland Stooke**, Ottawa (CA); **Richard Orsini**, Roxbury, MA (US); **Matthew Reis Bettencourt**, Ludlow, MA (US)
- (73) Assignee: **Staples Brands, Inc.**, Framingham, MA (US)
- (**) Term: **15 Years**
- (21) Appl. No.: **29/685,321**
- (22) Filed: **Mar. 27, 2019**
- (51) **LOC (12) Cl.** **09-06**
- (52) **U.S. Cl.**
USPC **D8/356**
- (58) **Field of Classification Search**
USPC D8/356, 354, 349; 361/826
CPC A63B 29/00; A63B 27/00; B63B 59/02;
B63B 21/045; H05K 5/0247
See application file for complete search history.

- (56) **References Cited**
U.S. PATENT DOCUMENTS
- 1,583,343 A * 5/1926 Duerden F16G 11/14
24/129 R
- D259,242 S * 5/1981 Gilb D8/373
- D311,487 S * 10/1990 Platt D8/356
- D348,213 S * 6/1994 Moliner D8/367
- D349,040 S * 7/1994 Moliner D8/367
- D349,447 S * 8/1994 Daniller D8/367
- D390,447 S * 2/1998 Colen, Jr. D8/356

- 6,092,444 A * 7/2000 Hsiao B25B 13/48
7/168
- 6,095,282 A * 8/2000 Sadeck A62B 1/04
182/191
- 6,344,021 B1 * 2/2002 Juster A61N 2/06
600/15
- 6,523,229 B2 * 2/2003 Severson B65D 63/1018
24/16 PB
- 6,813,981 B2 * 11/2004 Urban B21F 11/00
30/90.1
- D514,432 S * 2/2006 McLaughlin D8/356
- D599,196 S * 9/2009 Ruffin D8/356
- D657,564 S * 4/2012 Baker D3/328
- D684,845 S * 6/2013 Wood A62B 35/04
D8/356
- 8,615,849 B2 * 12/2013 Rothbaum H01F 7/0263
24/16 R

(Continued)

Primary Examiner — Cynthia R Underwood
(74) *Attorney, Agent, or Firm* — Sheridan Ross P.C.

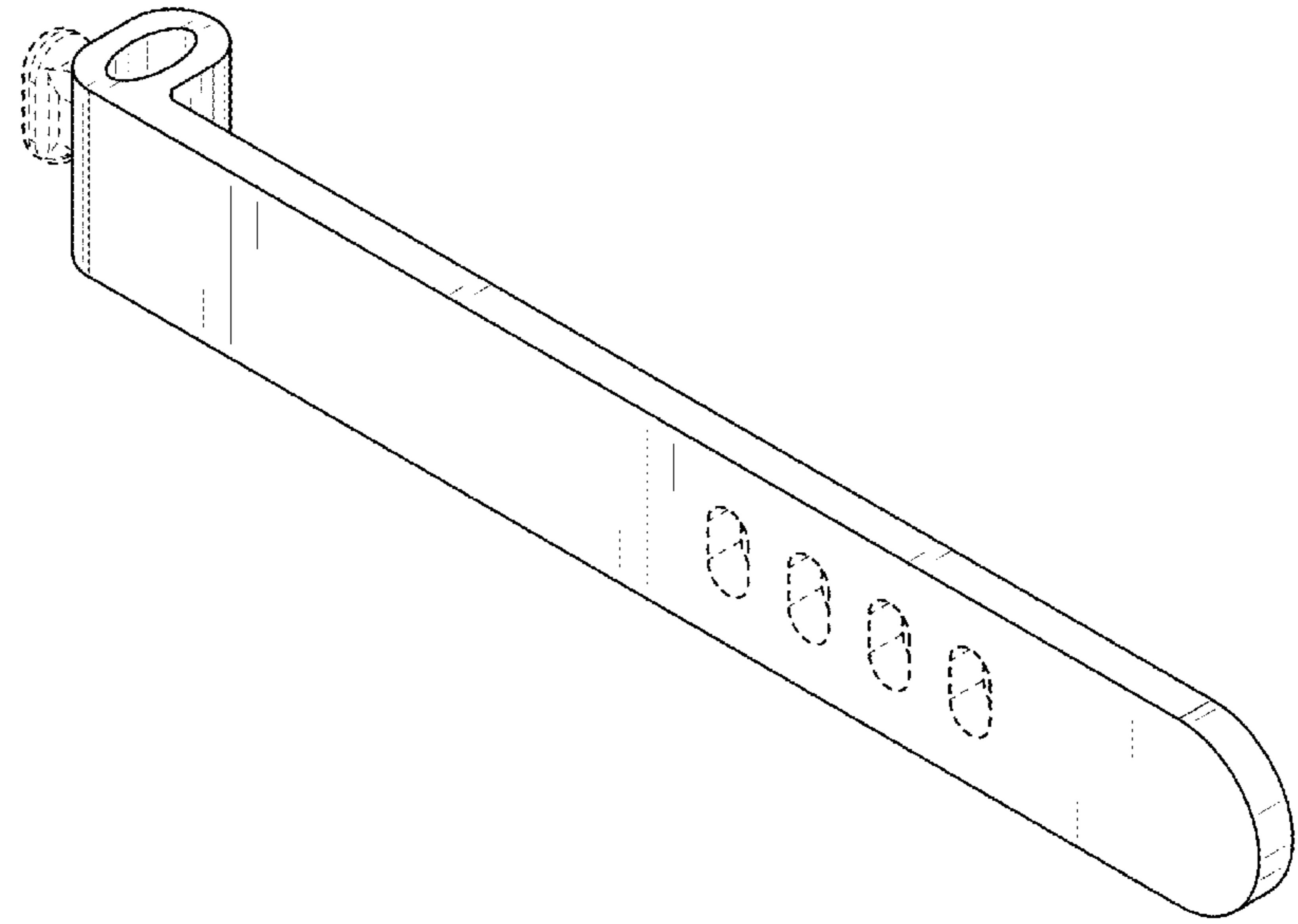
(57) **CLAIM**

The ornamental design for the cord management wrap, as shown and described.

DESCRIPTION

FIG. 1 is a perspective view of a cord management wrap; FIG. 2 is a front elevation view thereof; FIG. 3 is a rear elevation view thereof; FIG. 4 is a left elevation view thereof; FIG. 5 is a right elevation view thereof; FIG. 6 is a top plan view thereof; FIG. 7 is a bottom plan view thereof; FIG. 8 is a first perspective view of the cord management wrap in a wrapped state; and, FIG. 9 is a second perspective view of the cord management wrap in a wrapped state. The broken lines in the drawings illustrate portions of the cord management wrap which form no part of the claimed design.

1 Claim, 9 Drawing Sheets



(56)

References Cited

U.S. PATENT DOCUMENTS

D712,295 S * 9/2014 Ennis D11/3
D713,240 S * 9/2014 Chance D8/356
D724,935 S * 3/2015 Warner D8/356
D731,296 S * 6/2015 Nelson D8/356
D732,933 S * 6/2015 Jansen D8/356
D740,106 S * 10/2015 Cooper D8/356
D751,360 S * 3/2016 Oakley D8/18
D811,202 S * 2/2018 Goodman D8/370
D811,859 S * 3/2018 Orser D8/356
D826,698 S * 8/2018 Nelson D8/356
D839,084 S * 1/2019 Mikoska D8/356
D840,789 S * 2/2019 Chen D8/356
D848,822 S * 5/2019 Cooper D8/356
2005/0251967 A1 * 11/2005 McNeill B65D 63/1027
24/16 PB
2009/0106948 A1 * 4/2009 Lopez B65D 63/1018
24/16 PB
2018/0070713 A1 * 3/2018 Moreau A45F 5/021
2018/0084886 A1 * 3/2018 O'Hare A45D 2/18

* cited by examiner

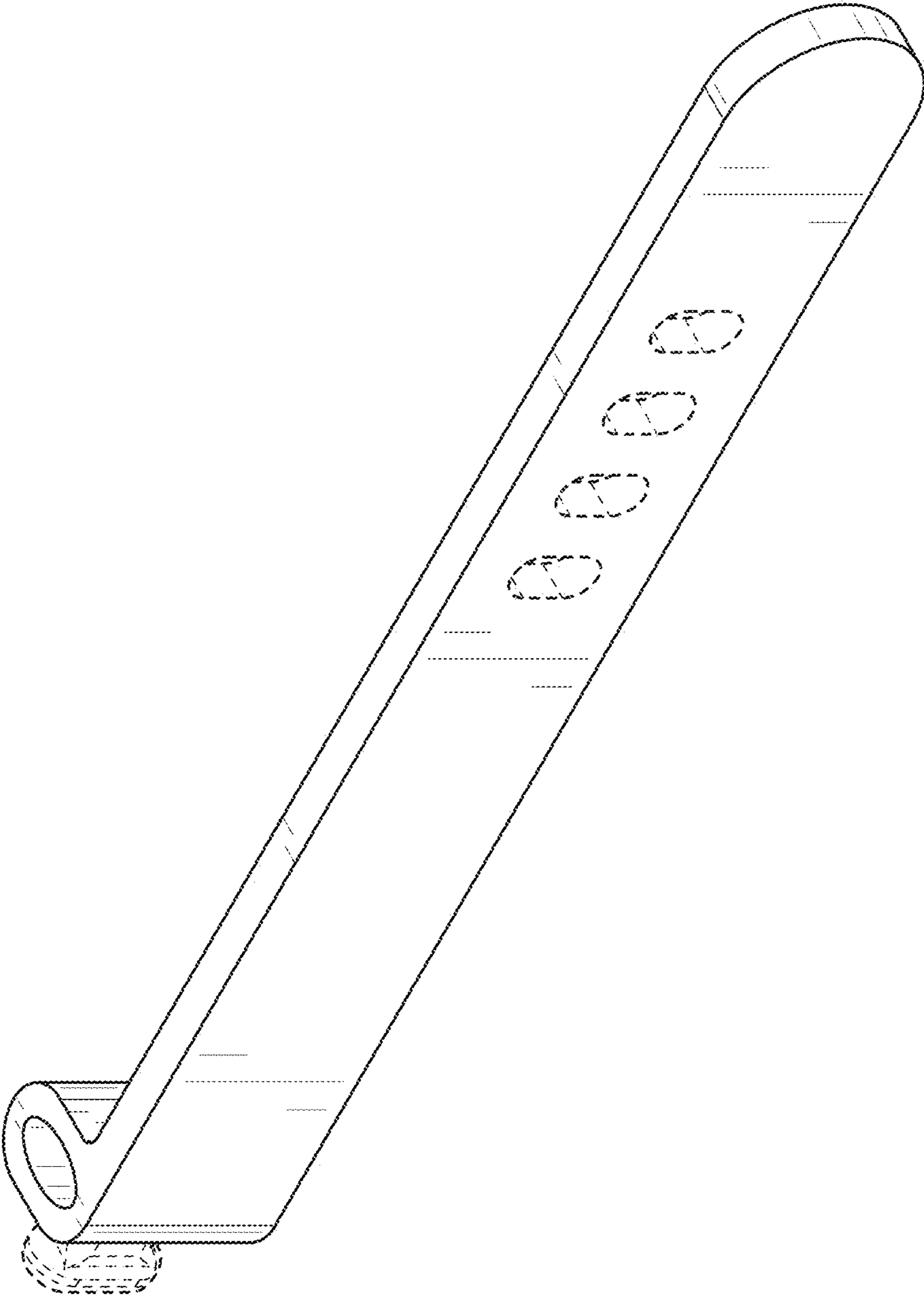


FIG. 1

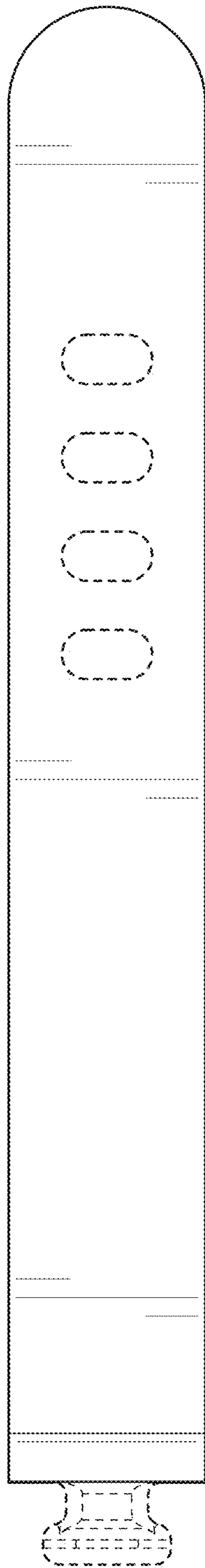


FIG. 2

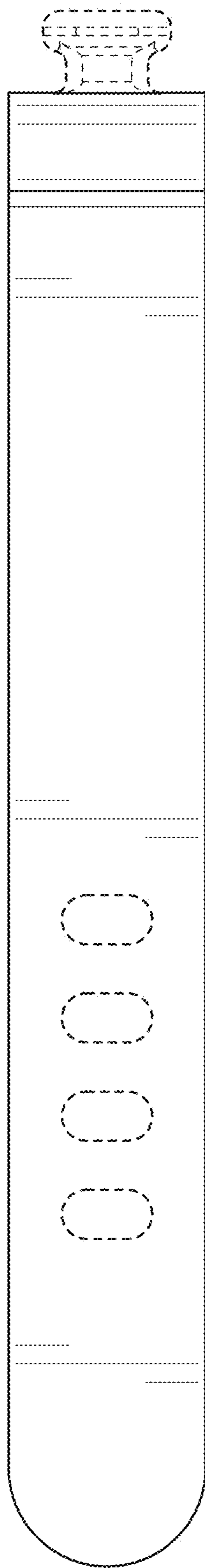


FIG. 3

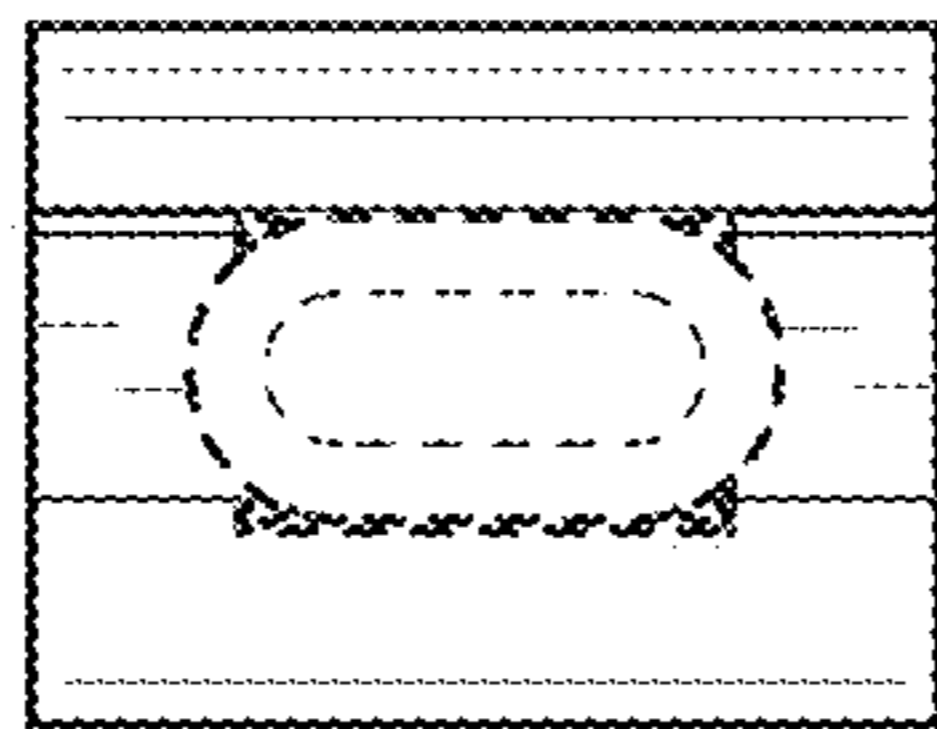


FIG. 4

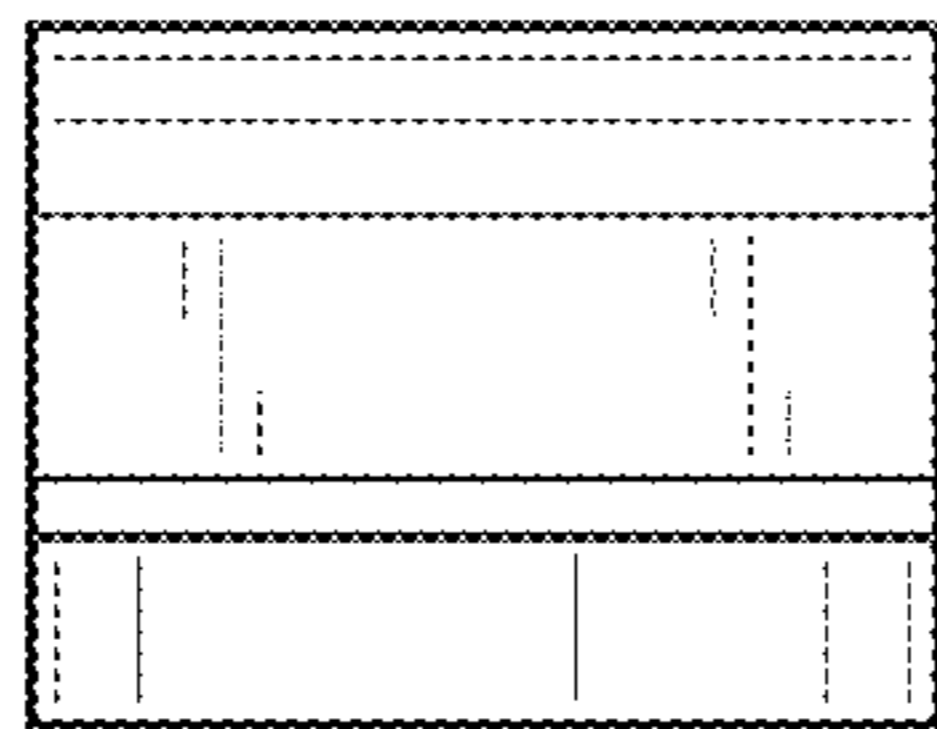


FIG. 5

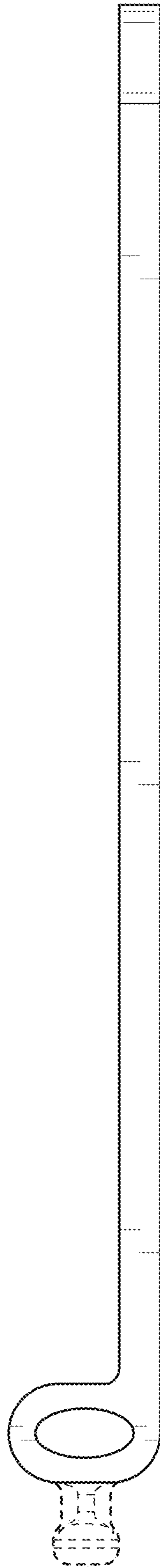


FIG. 6

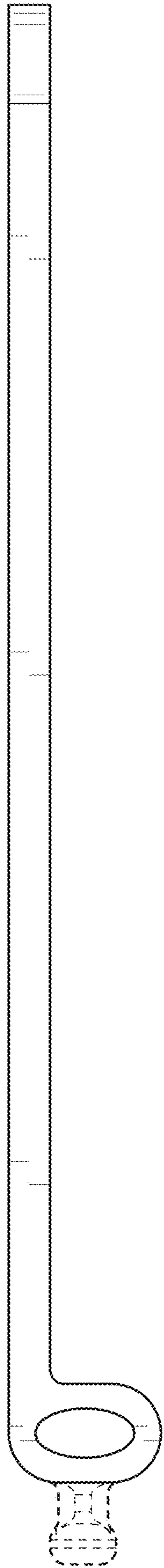


FIG. 7

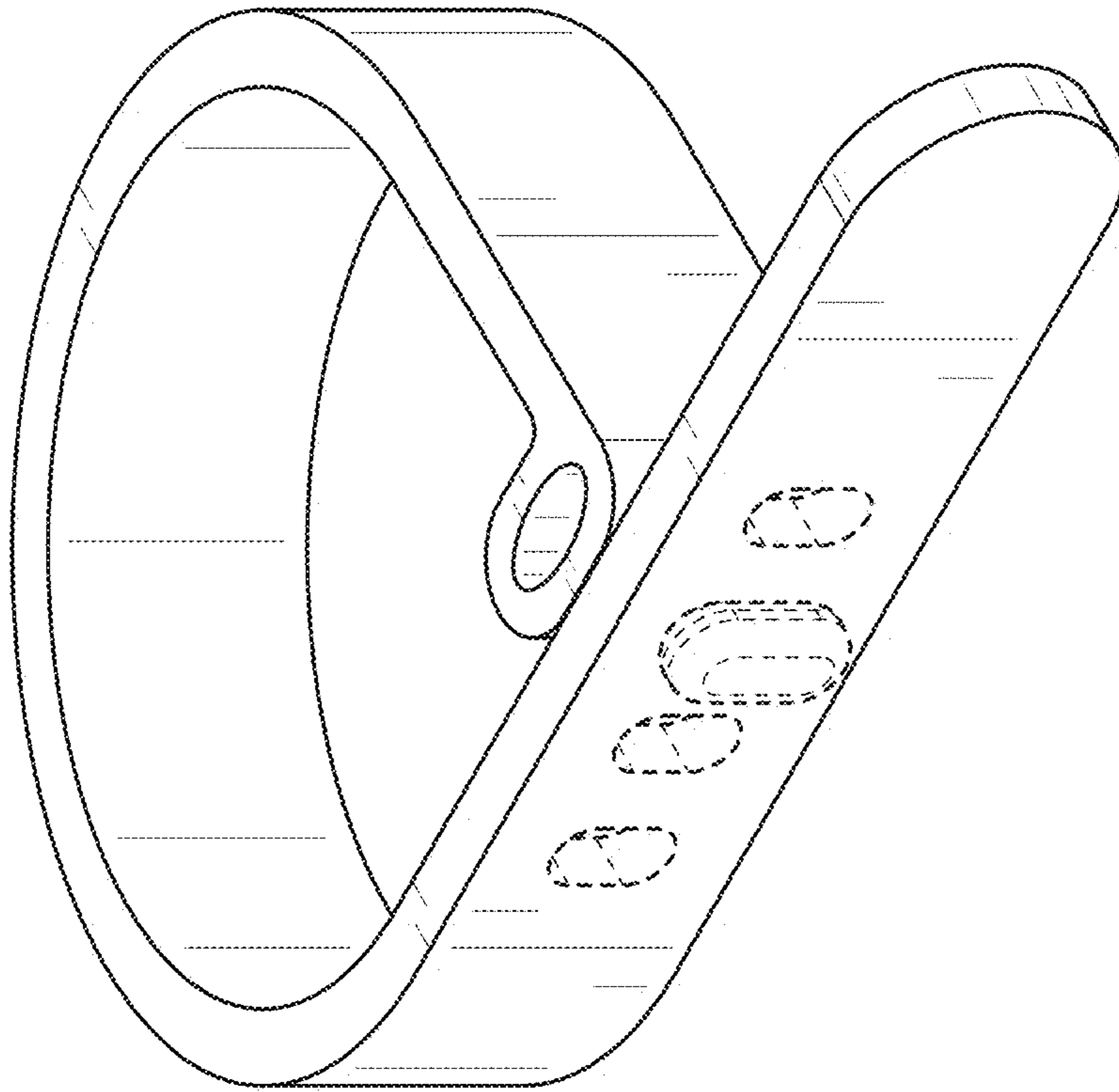


FIG. 8

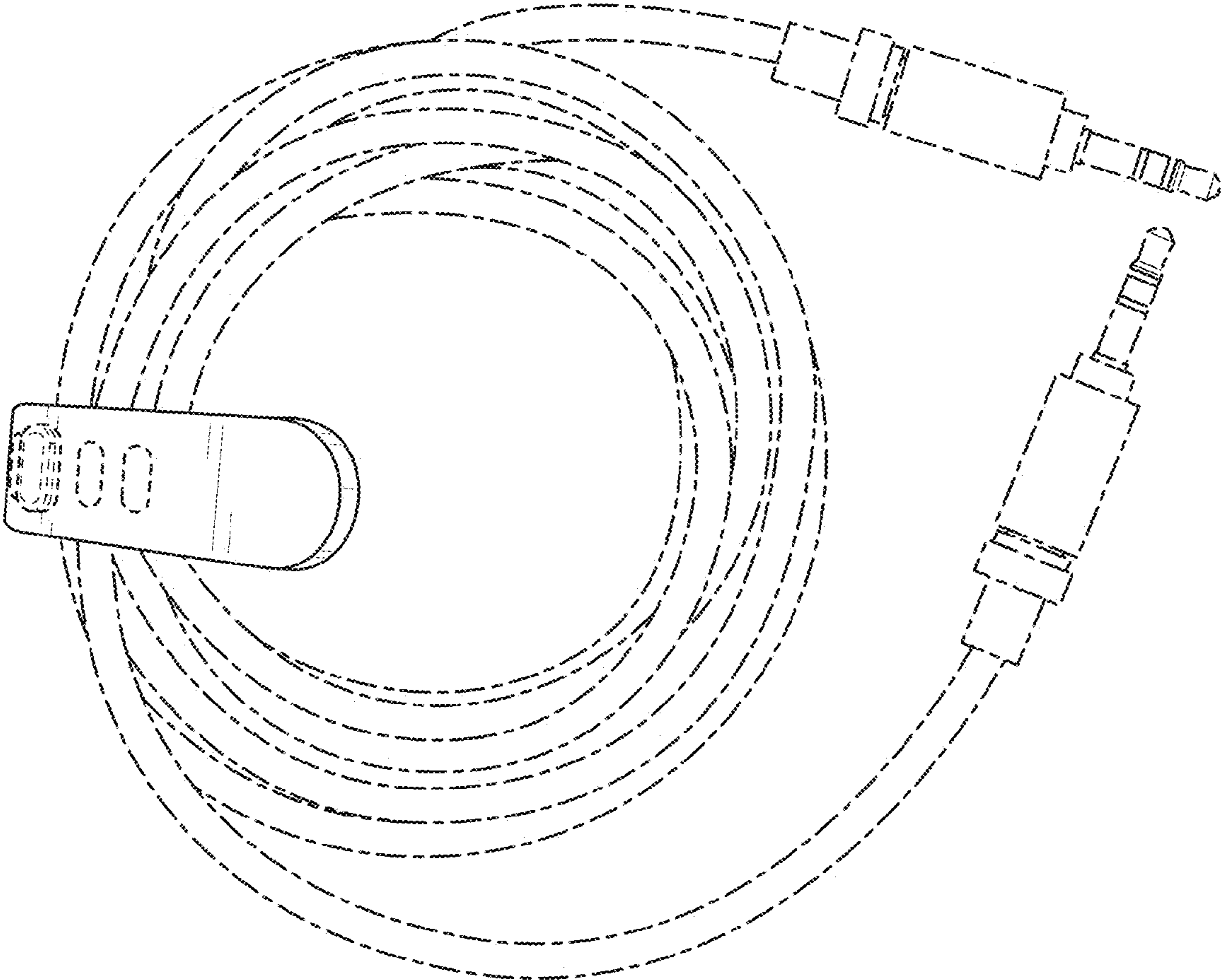


FIG. 9