



US00D885868S

(12) **United States Design Patent**
Hilmerson

(10) **Patent No.:** **US D885,868 S**
(45) **Date of Patent:** **** Jun. 2, 2020**

(54) **JERSEY BARRIER BRACKET**

(71) Applicant: **Debra Lee Hilmerson**, Prior Lake, MN (US)

(72) Inventor: **Debra Lee Hilmerson**, Prior Lake, MN (US)

(**) Term: **15 Years**

(21) Appl. No.: **29/720,755**

(22) Filed: **Jan. 15, 2020**

Related U.S. Application Data

(63) Continuation of application No. 29/697,181, filed on Jul. 4, 2019, which is a continuation-in-part of application No. 16/379,283, filed on Apr. 9, 2019.

(51) **LOC (12) Cl.** **08-05**

(52) **U.S. Cl.**
USPC **D8/354**

(58) **Field of Classification Search**
USPC D8/300, 333, 349, 354, 355, 363, 373, D8/394; D10/109.1, 109.2, 110, 113.1, (Continued)

(56) **References Cited**

U.S. PATENT DOCUMENTS

D236,335 S * 8/1975 Lacivita D12/115
D258,088 S * 1/1981 Koch D25/38.1
(Continued)

OTHER PUBLICATIONS

#6.hilmerson_flyer_redo_dec21_PREVIEW https://hilmersonsafety.com/wpcontent/uploads/2020/01/6.hilmerson_flyer_redo_Jan1_PREVIEW.pdf Jan. 17, 2020 (Year: 2020).*

(Continued)

Primary Examiner — Leanne Was-Englehart

(74) *Attorney, Agent, or Firm* — Fantastic IP Consulting; Eduardo E. Drake

(57) **CLAIM**

The ornamental design for a jersey-barrier bracket, as shown and described.

DESCRIPTION

FIG. 1 is a perspective view illustrating a first embodiment of the jersey barrier bracket having a round tubular sidepost; FIG. 2 is a front view of the first embodiment of the bracket; FIG. 3 is a back view of the first embodiment of the bracket; FIG. 4 is a left side view of the first embodiment of the bracket, with the right side view being substantially a mirror image thereof;

FIG. 5 is a top view of the first embodiment of the bracket; FIG. 6 is a bottom view of the first embodiment of the bracket;

FIG. 7 is a perspective view of a second embodiment of a jersey barrier bracket having a square or rectangular sidepost;

FIG. 8 is a left side view of the second embodiment of the jersey barrier bracket, with the other side view being a substantial mirror image thereof;

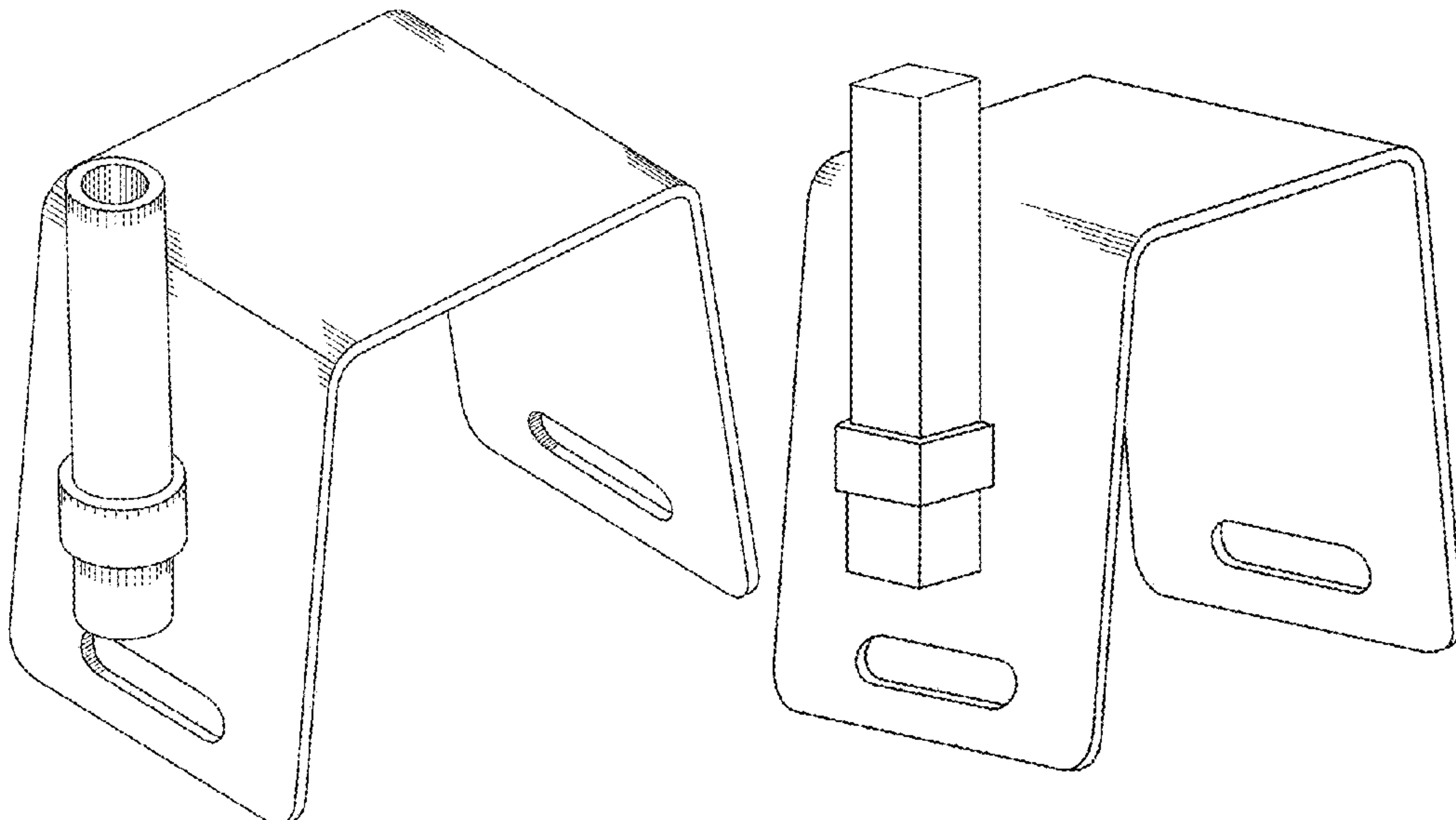
FIG. 9 is a front view of the second embodiment of the jersey barrier bracket;

FIG. 10 is a top view of the second embodiment of the jersey barrier bracket; and,

FIG. 11 is a bottom view of the second embodiment of the jersey barrier bracket.

Any broken lines in the drawings depict environment or structural features that form no part of the claimed design. Contour markings have been added in some drawings to highlight some curved surfaces in the bends, corners, and slots in the brackets and the round tubular sideposts and thus do not constitute surface ornamentation and thus form no part of the claimed designs.

1 Claim, 9 Drawing Sheets



(58) **Field of Classification Search**

USPC D10/113.2, 113.3; D12/115; D20/10, 17,
D20/19, 41; D25/38.1, 39, 48.8, 199
CPC E01F 13/00; E01F 13/02; E01F 13/022;
E01F 13/026; E01F 13/12; E01F 15/083;
E01F 9/669; F16M 13/02; G09F 7/18;
G09F 21/04; Y10T 24/44402; Y10T
24/44462; F41H 5/013; F41H 5/08; F41H
5/24; F41H 5/26

See application file for complete search history.

(56) **References Cited**

U.S. PATENT DOCUMENTS

4,249,832 A * 2/1981 Schmanski E01F 9/669
256/13.1
D260,480 S * 9/1981 DeMars D6/323
4,338,041 A * 7/1982 Schmanski E01F 7/06
256/13.1
5,022,781 A * 6/1991 Smith E01F 7/06
181/210
5,137,391 A * 8/1992 Ballesteros E01F 15/083
404/6
5,244,172 A 9/1993 Allega
D342,011 S * 12/1993 Maguire D8/349
5,400,992 A * 3/1995 Pohl G09F 7/18
248/214
D363,789 S * 10/1995 Weid D25/38.1
5,531,540 A * 7/1996 Wasserstrom E01F 15/086
256/13.1
D378,986 S * 4/1997 Darula D8/354
D385,362 S * 10/1997 Rossetti D25/38.1
5,752,691 A * 5/1998 Bashon E01F 15/025
256/1
D399,125 S * 10/1998 Blanchard D8/354
D401,211 S * 11/1998 Simpson D12/223
5,878,519 A * 3/1999 Huyck, Jr. G09F 7/18
248/214
D426,453 S * 6/2000 Stearns D8/354
D429,624 S * 8/2000 Johnson D8/354
6,164,865 A * 12/2000 McCallum E01F 15/086
404/6
D455,067 S * 4/2002 Shea D8/373
D462,126 S * 8/2002 Englund D25/38.1
6,695,534 B2 * 2/2004 Cain B65D 90/24
405/114
D497,823 S * 11/2004 Brown D10/113.3
D498,163 S * 11/2004 Brown D10/113.3
6,962,461 B2 * 11/2005 Choi E01F 7/06
256/13.1
D523,735 S * 6/2006 Craine D8/354
7,069,680 B1 7/2006 Crawford
D533,281 S * 12/2006 Christensen D25/38.1
7,168,882 B1 1/2007 Owen
D552,250 S * 10/2007 Christensen D25/38.1
D569,992 S * 5/2008 Christensen D25/38.1

D574,510 S * 8/2008 Riddell D25/38.1
D607,711 S * 1/2010 Adams D8/354
8,001,880 B2 8/2011 White et al.
8,590,439 B2 11/2013 White et al.
D695,592 S * 12/2013 White D8/354
D701,107 S * 3/2014 White D8/354
D701,108 S * 3/2014 Rodgers D8/354
9,010,228 B2 4/2015 White et al.
D730,719 S * 6/2015 Sundberg D8/354
D751,729 S * 3/2016 Le Clair D25/38.1
9,534,731 B2 * 1/2017 White F16M 13/02
9,598,827 B1 3/2017 Pavloff, Jr. et al.
9,637,942 B2 * 5/2017 White F16B 7/105
9,670,631 B2 * 6/2017 Ditta E01F 15/083
9,897,123 B2 * 2/2018 Esposito E01F 15/088
D823,675 S * 7/2018 Dammann D8/380
D869,936 S * 12/2019 Smith D8/349
10,533,590 B2 * 1/2020 Esposito E01F 9/669
2004/0057791 A1 * 3/2004 Bruyere E01F 15/085
404/6
2014/0917140 10/2004 Maleska
2005/0135878 A1 * 6/2005 McNally E01F 13/022
404/6
2008/0271652 A1 11/2008 White et al.
2008/0307684 A1 * 12/2008 Ulloa G09F 7/18
40/607.1
2010/0254759 A1 * 10/2010 Course E01F 13/12
404/6
2014/0334875 A1 * 11/2014 Hoffman E01F 15/083
404/6
2014/0353565 A1 * 12/2014 Ditta E01F 13/022
256/59
2015/0110549 A1 4/2015 Esposito et al.
2015/0315753 A1 * 11/2015 Baltazar E01F 9/541
248/216.1
2015/0330040 A1 * 11/2015 Dobbs E01F 13/00
404/6
2016/0047095 A1 2/2016 Murphy
2017/0051468 A1 * 2/2017 Jacobs E02D 27/00
2017/0101751 A1 4/2017 Ditta et al.
2018/0223561 A1 * 8/2018 Howell E06B 11/04
2018/0320405 A1 * 11/2018 Matthews E04H 17/22

OTHER PUBLICATIONS

About EZ-Slip—JCNV Industries Apr. 2017 <http://jcnvindustries.com/about-ez-slip/> (Year: 2017).*
Hilmerson Safety Barrier Fence System Oct. 2019 <https://hilmersonservices.com/category/projects/> (Year: 2019).*
Jersey Barrier Saddle Oct. 21, 2015 http://www.usreflector.com/Html_products/Signalization/Jerseybarriersaddle.html (Year: 2015).*
Temporary Fencing & Jersey Barriers Jun. 4, 2019 <http://www.gilcoscaffolding.com/jersey-barriers-and-fencing.html> (Year: 2019).*
U.S. Reflector, Jersey Saddle Bracket, U.S. Reflector Website, Copyright 2003. http://www.usreflector.com/Html_products/Signalization/Jerseybarriersaddle.html.

* cited by examiner

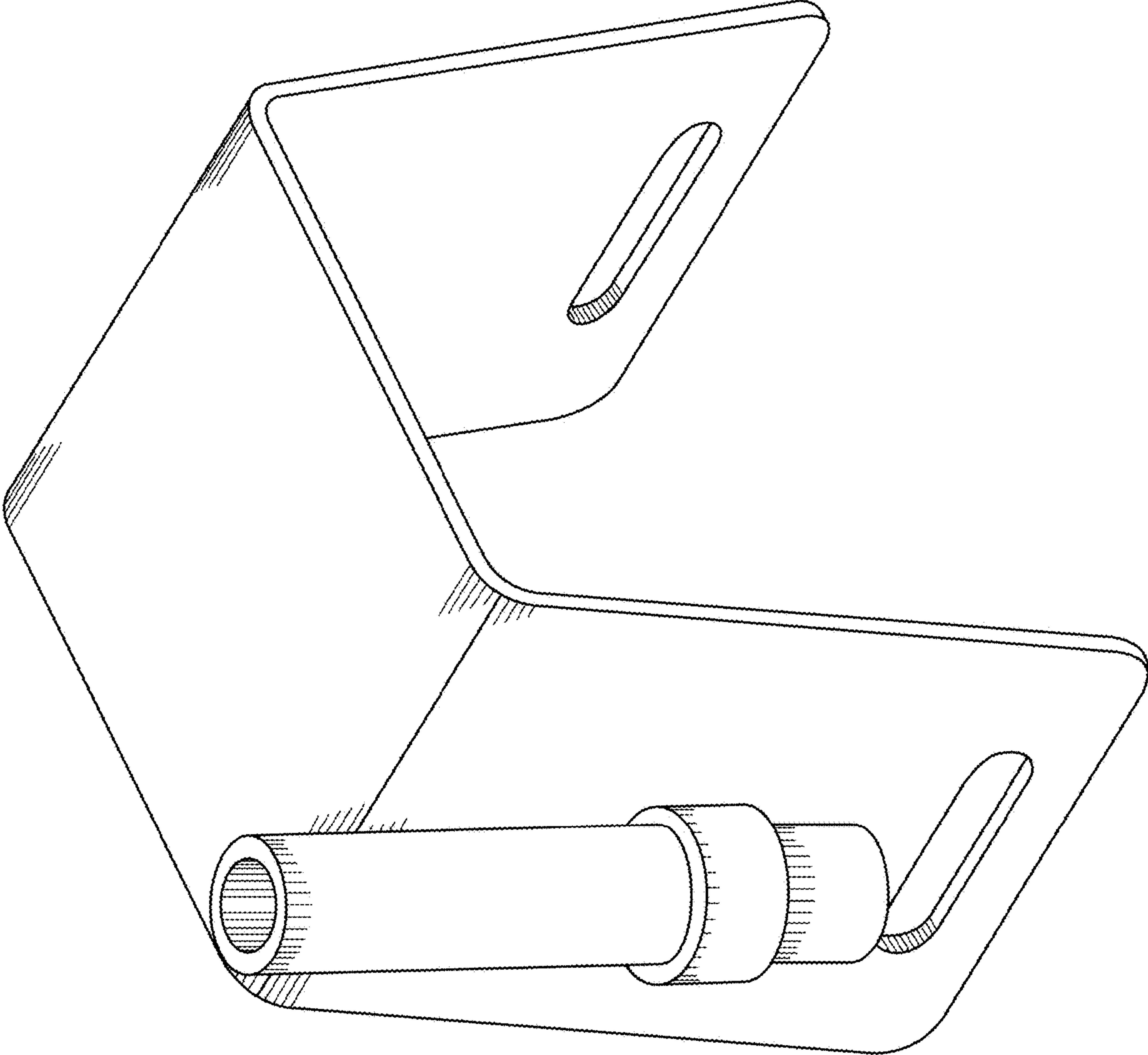


Fig. 1

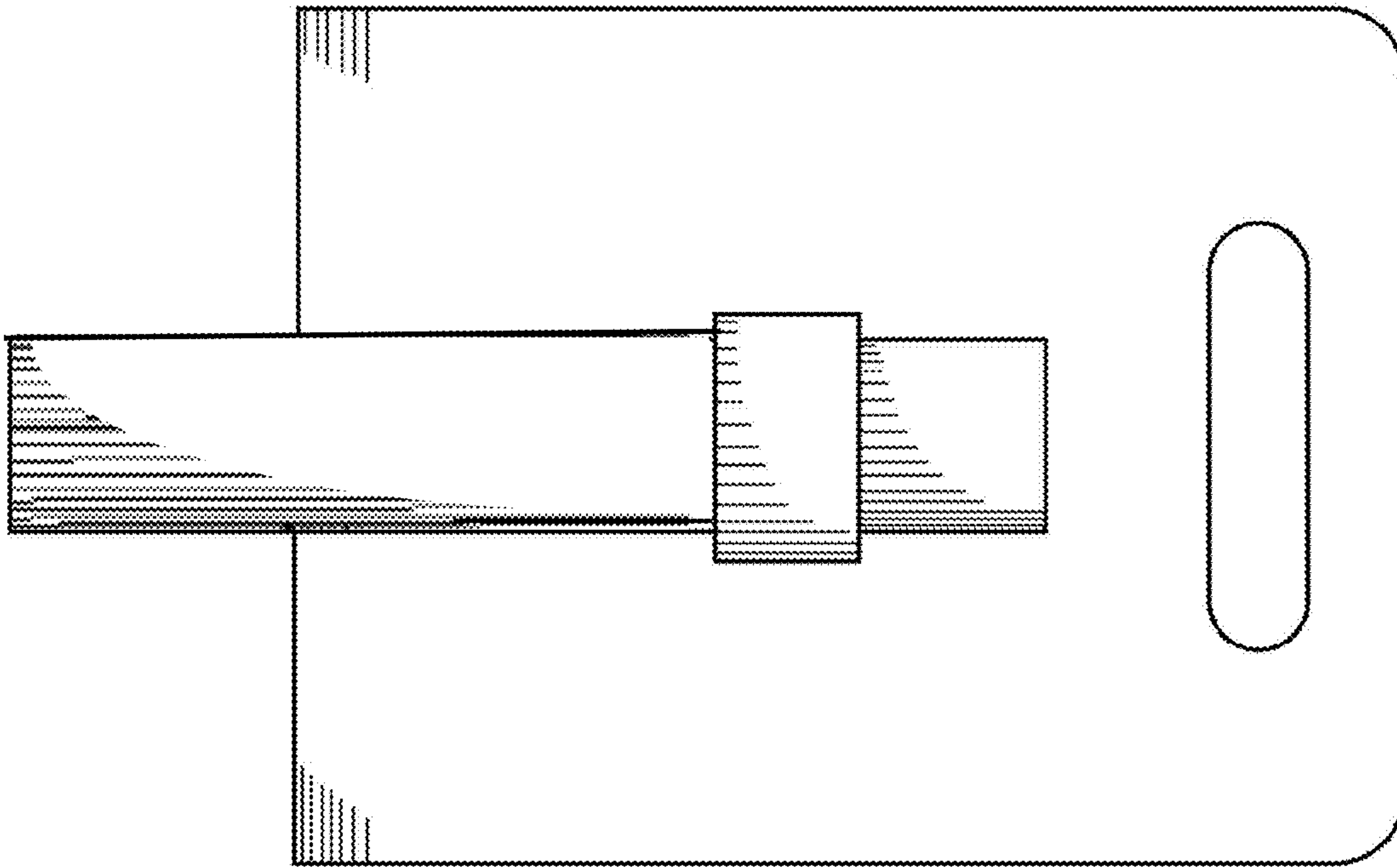


Fig. 3

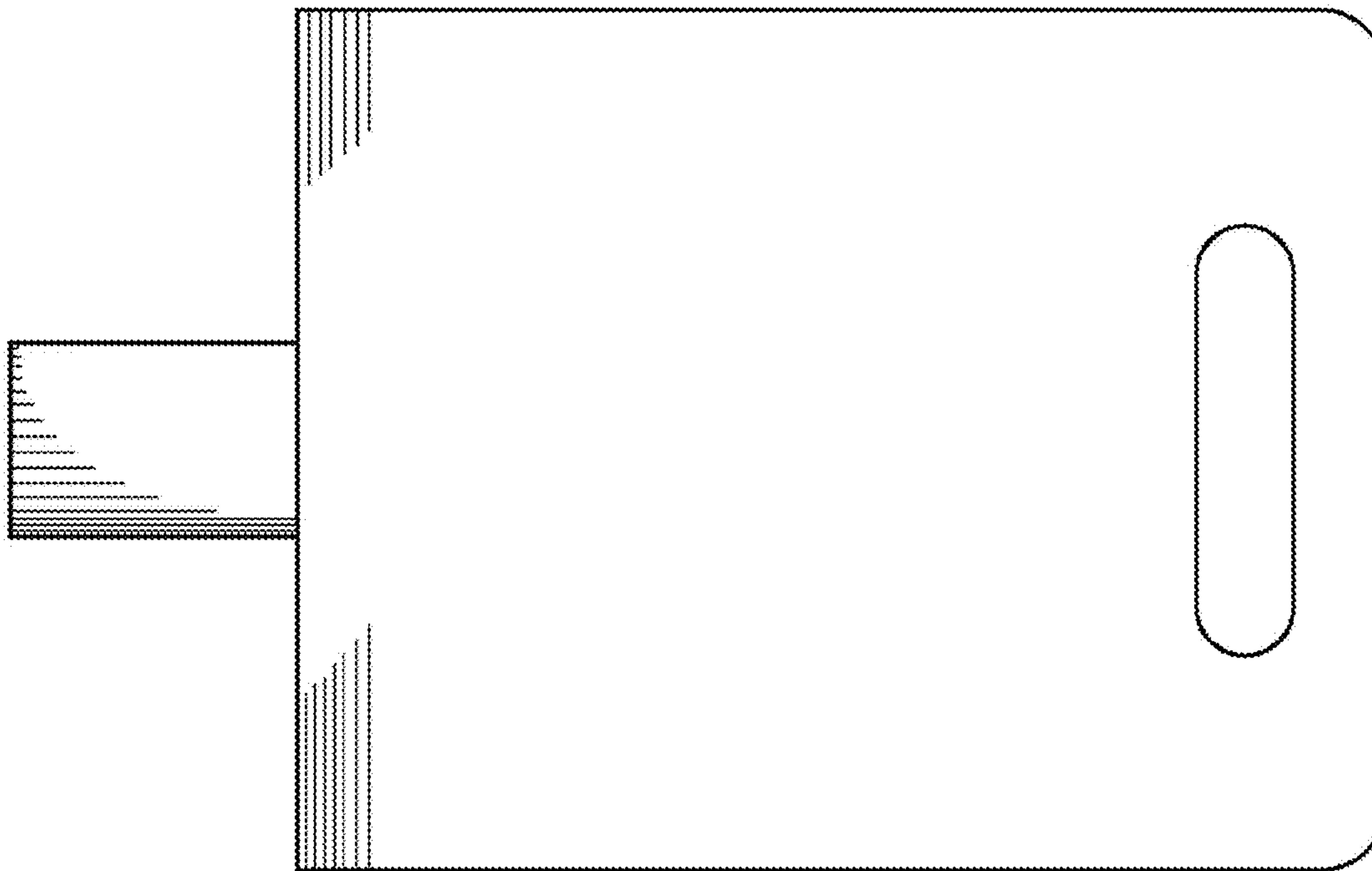


Fig. 2

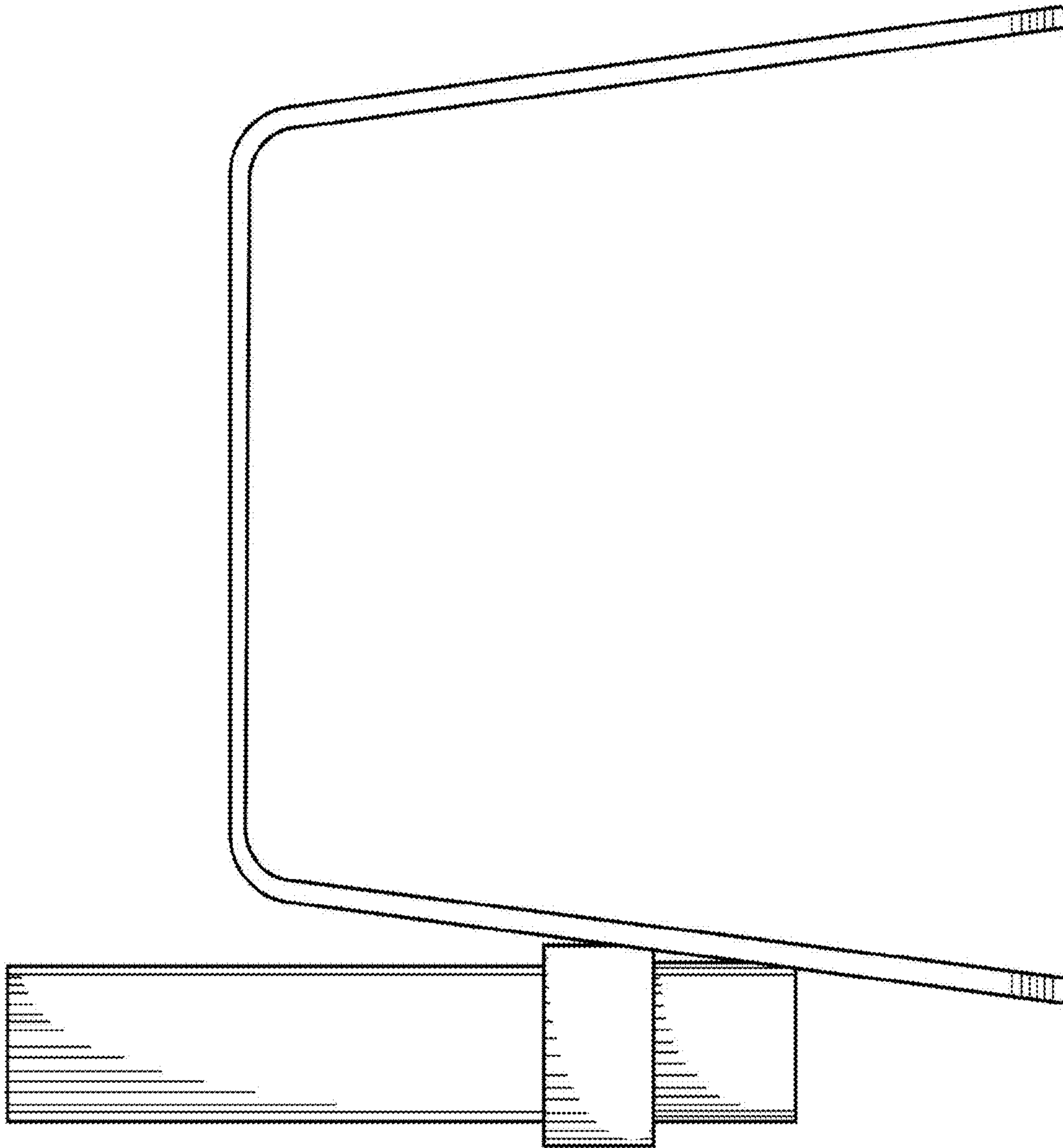


Fig. 4

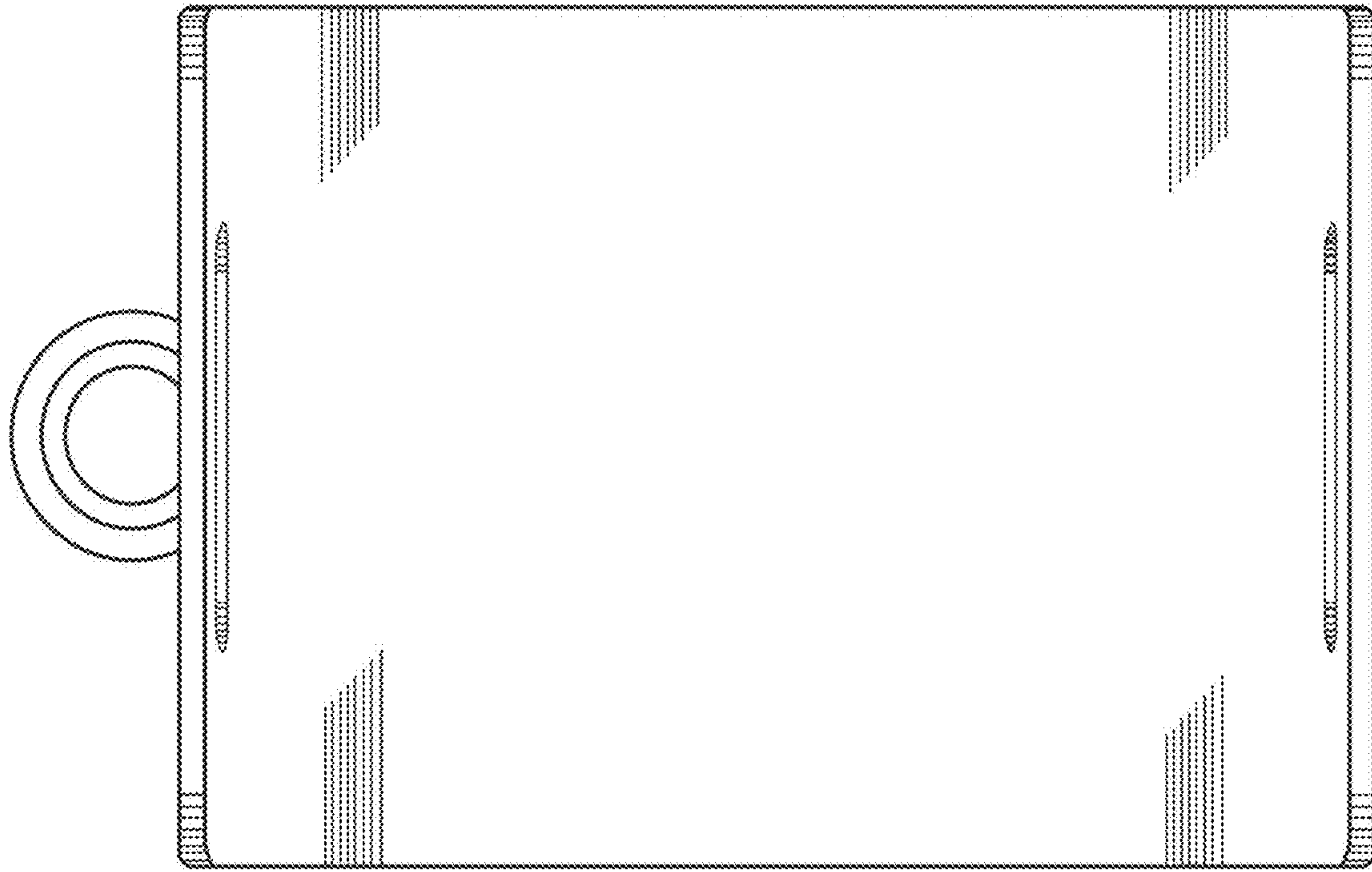


Fig. 6

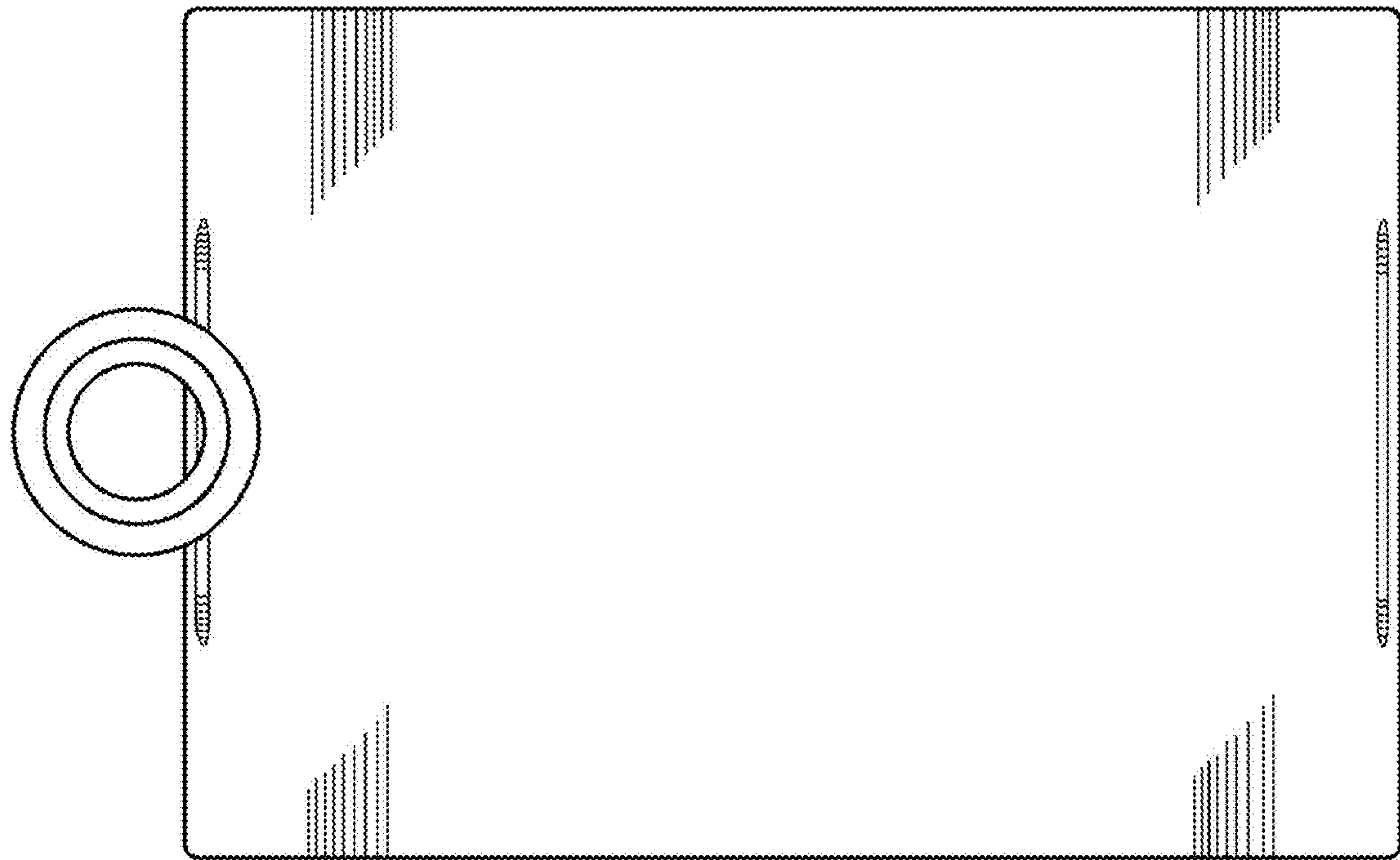


Fig. 5

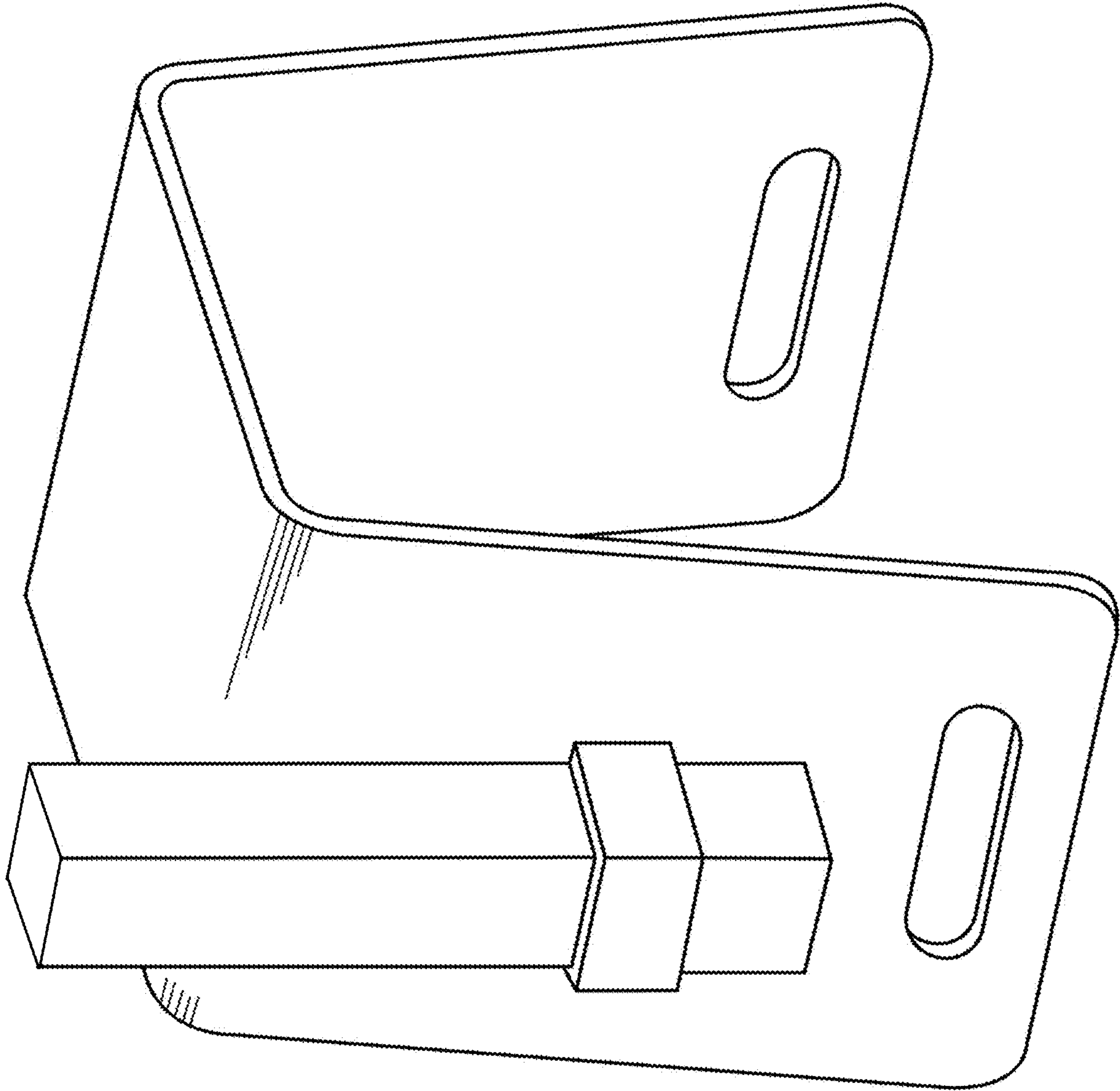


Fig. 7

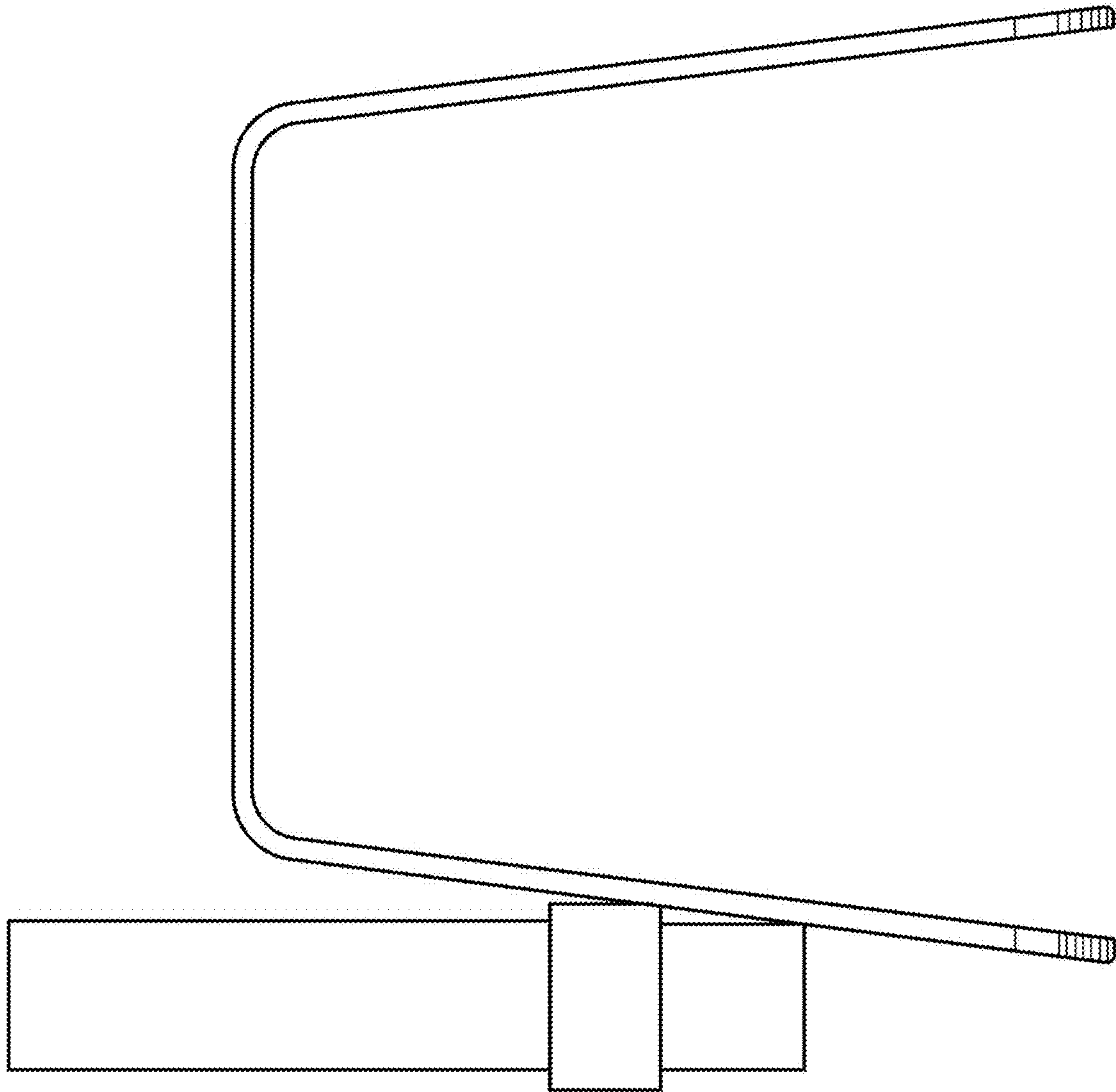


Fig. 8

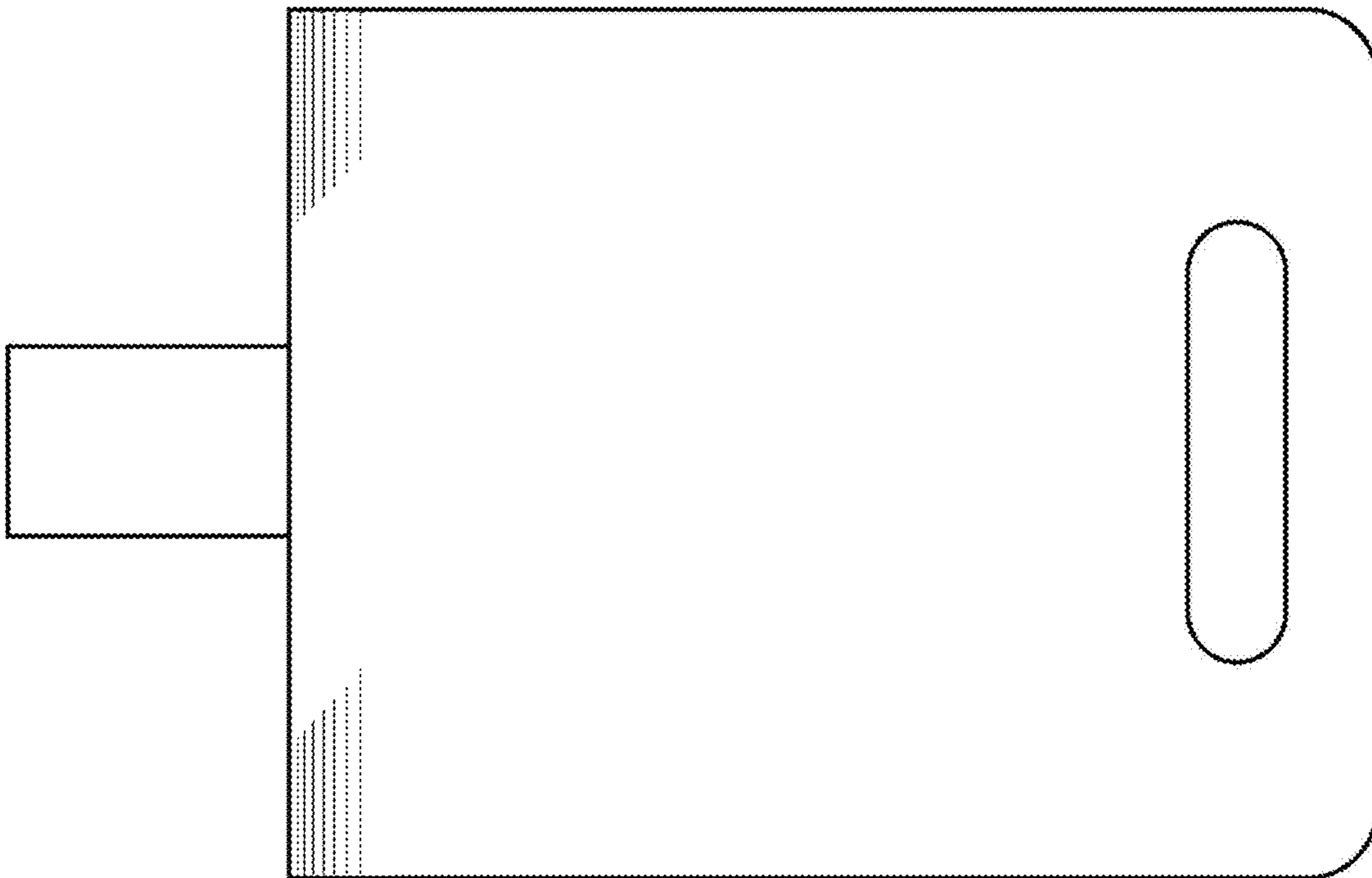


Fig. 9

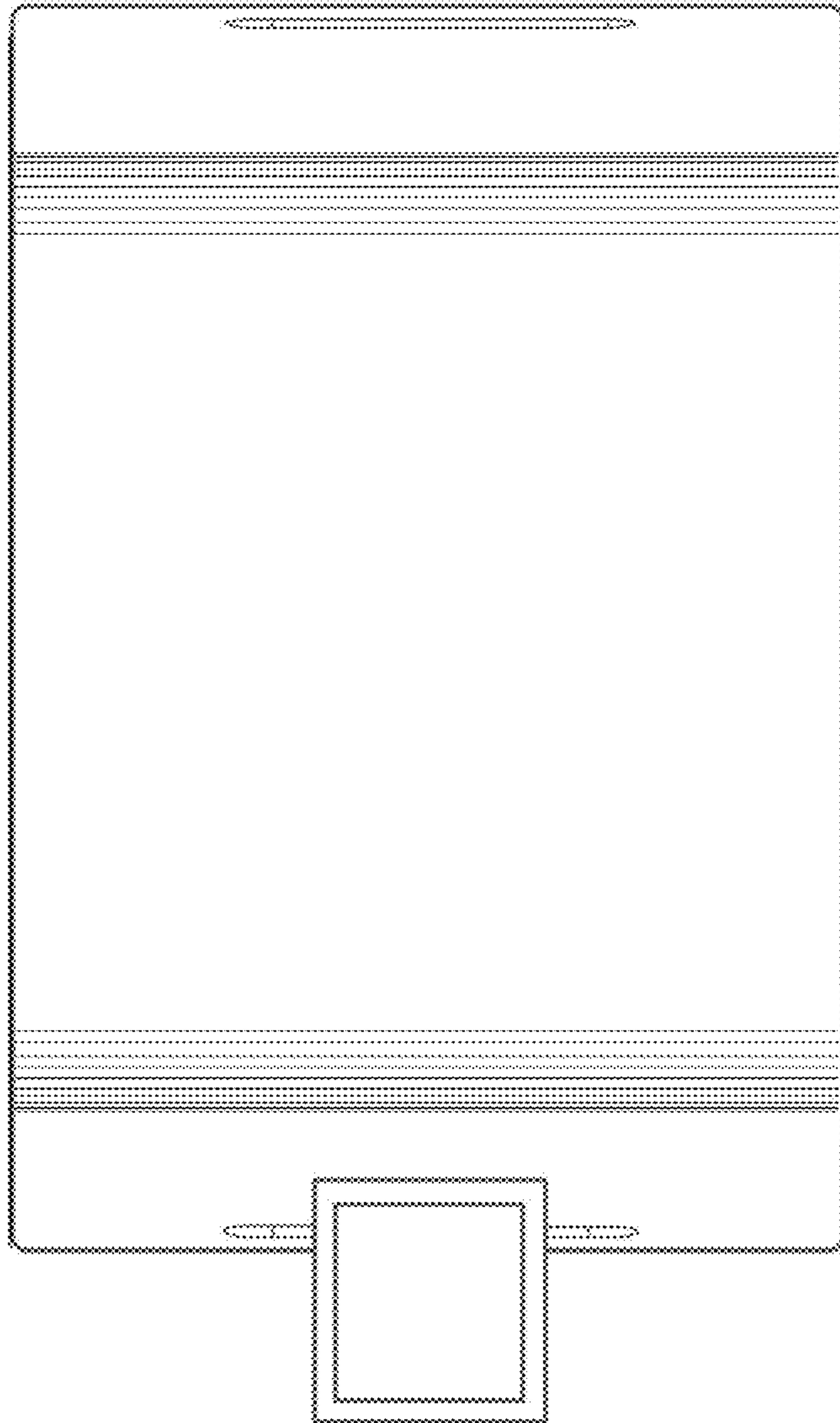


Fig. 10

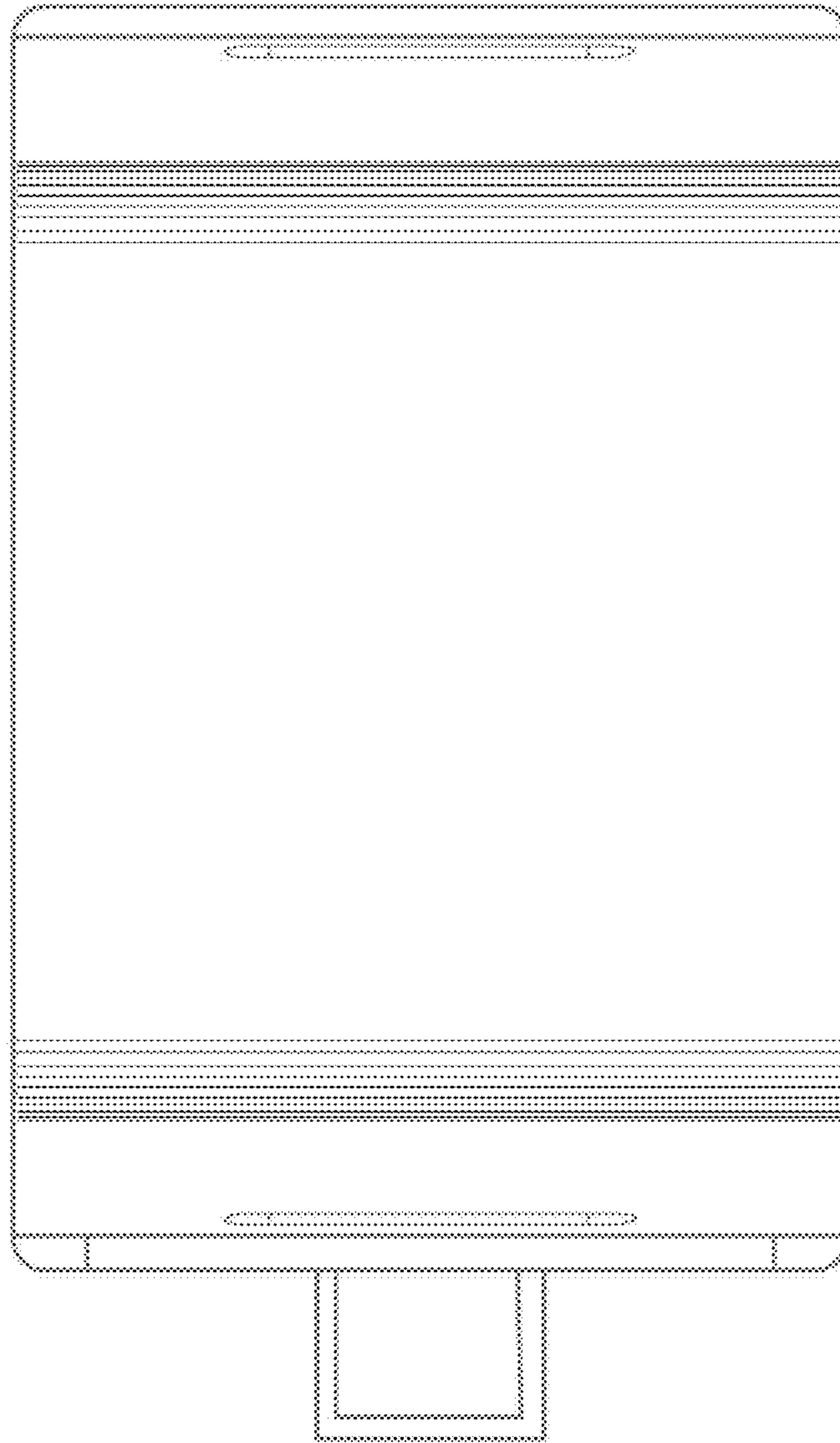


Fig. 11