



US00D885866S

(12) **United States Design Patent**
Chapman et al.

(10) **Patent No.:** **US D885,866 S**
(45) **Date of Patent:** **** Jun. 2, 2020**

(54) **MOUNT BASE**

(71) Applicant: **Topcon Positioning Systems, Inc.**,
Livermore, CA (US)

(72) Inventors: **Angus Chapman**, Brisbane (AU);
Reilly Edwards, Brisbane (AU); **Craig
Roughan**, Brisbane (AU)

(73) Assignee: **Topcon Positioning Systems, Inc.**,
Livermore, CA (US)

(**) Term: **15 Years**

(21) Appl. No.: **29/675,179**

(22) Filed: **Dec. 28, 2018**

(51) **LOC (12) Cl.** **08-08**

(52) **U.S. Cl.**
USPC **D8/349**

(58) **Field of Classification Search**
USPC D8/349, 354, 355, 363, 373-377, 356,
D8/382, 317, 400, 415, 416
CPC .. A47F 5/00; A47H 1/10; A47G 29/00; A47G
29/08; A47B 97/00; A47K 3/14; H02J
7/0026; H02J 7/0021; H02J 7/0027;
Y02E 60/12; H01R 13/72; A61M 5/1418
See application file for complete search history.

(56) **References Cited**

U.S. PATENT DOCUMENTS

4,315,594 A	2/1982	Niederöst	
D316,713 S	5/1991	Sun	
D363,930 S	11/1995	Bailey et al.	
6,598,835 B2	7/2003	Minnick	
7,114,388 B1	10/2006	French et al.	
D594,399 S	6/2009	Johnson	
D598,480 S	8/2009	Kanemitsu	
D623,500 S *	9/2010	Langner	D8/349
D661,980 S	6/2012	Rocquet	
D673,029 S *	12/2012	Apesteguía Martínez	D8/349
D695,591 S *	12/2013	Ackerman	D8/349
D716,640 S	11/2014	Martinson	

D732,926 S *	6/2015	Booth	D8/349
D744,316 S *	12/2015	Nook	D8/349
D745,369 S *	12/2015	Tungesvick	D8/349
D755,705 S	5/2016	Shin	
D757,520 S *	5/2016	Pratt	D8/349
9,354,158 B1	5/2016	Van Dijk et al.	

(Continued)

FOREIGN PATENT DOCUMENTS

EP	0014251 A1	8/1980
EP	2840559 A1	2/2015
EP	3270117 A1	1/2018

OTHER PUBLICATIONS

Notice of Allowance (PTOL-85) dated Feb. 5, 2020, in connection
with U.S. Appl. No. 29/675,183, filed Dec. 28, 2018, 9 pgs.

(Continued)

Primary Examiner — Mark A Goodwin
Assistant Examiner — Benjamin M Weeks
(74) *Attorney, Agent, or Firm* — Chiesa Shahinian &
Giantomasi PC

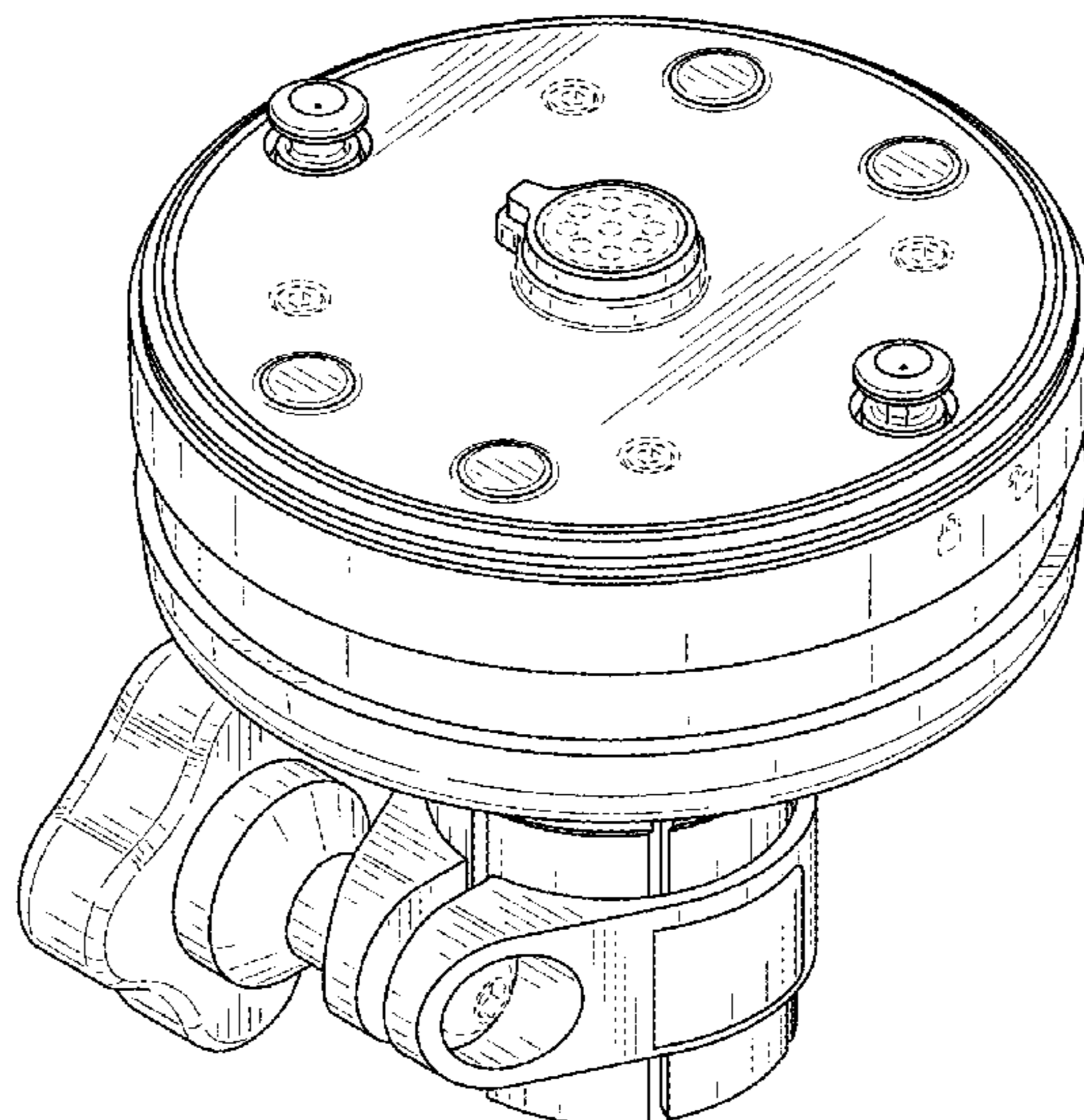
(57) **CLAIM**

The ornamental design for a mount base, as shown and
described.

DESCRIPTION

FIG. 1 is a front perspective view of a mount base according
to our design;
FIG. 2 is a front view thereof;
FIG. 3 is a rear view thereof;
FIG. 4 is a left side view thereof;
FIG. 5 is a right side view thereof;
FIG. 6 is a top view thereof; and,
FIG. 7 is a bottom view thereof.
The broken lines depict portions of the mount base that form
no part of the claimed design.

1 Claim, 4 Drawing Sheets



(56)

References Cited

U.S. PATENT DOCUMENTS

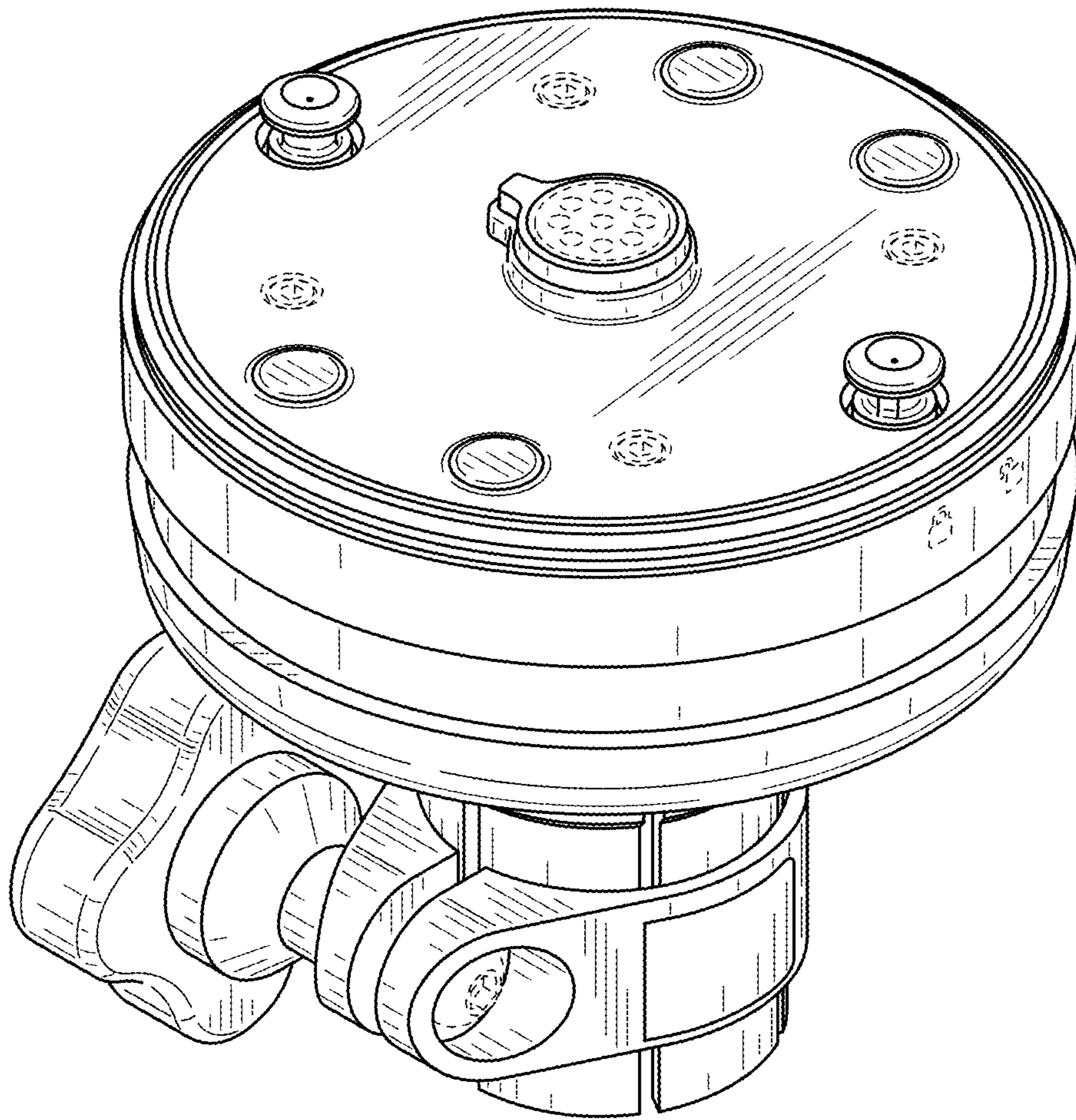
D766,069 S * 9/2016 Miller D8/349
D767,218 S * 9/2016 Hickling A01K 1/04
D30/154
D779,921 S * 2/2017 Del Rossa D12/223
D779,922 S * 2/2017 Del Rossa D12/223
D803,908 S * 11/2017 Yamaguchi D15/130
D822,081 S * 7/2018 Yamaguchi D15/140
D831,467 S 10/2018 Crichton et al.
D834,922 S 12/2018 Russo
D838,581 S 1/2019 Huang et al.
D859,968 S 9/2019 West
D860,765 S 9/2019 Tsay
D863,936 S * 10/2019 Pratt D8/349
D871,894 S 1/2020 Brett
2003/0056868 A1 3/2003 Gentry
2003/0137658 A1 7/2003 Ohtomo et al.
2016/0180999 A1 6/2016 Rattner et al.
2018/0017414 A1 1/2018 Binder et al.

OTHER PUBLICATIONS

Non-Final Office Action dated Mar. 6, 2020, in connection with U.S.
Appl. No. 16/235,622, filed Dec. 28, 2018, 16 pgs.
International Search Report dated Mar. 16, 2020, in connection with
International Patent Application No. PCT/US2019/062319, filed
Nov. 20, 2019, 18 pgs.

* cited by examiner

FIG. 1



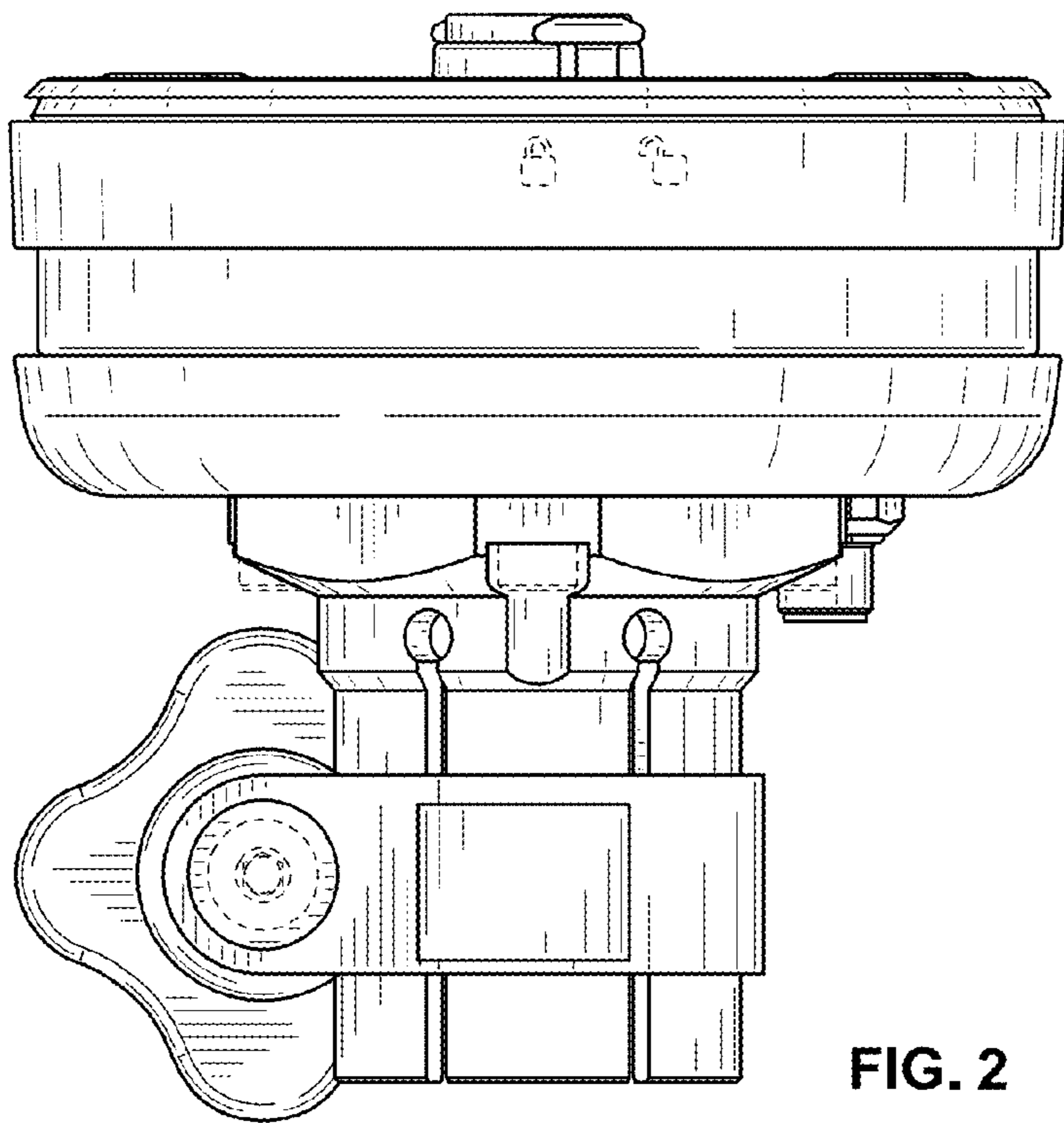


FIG. 2

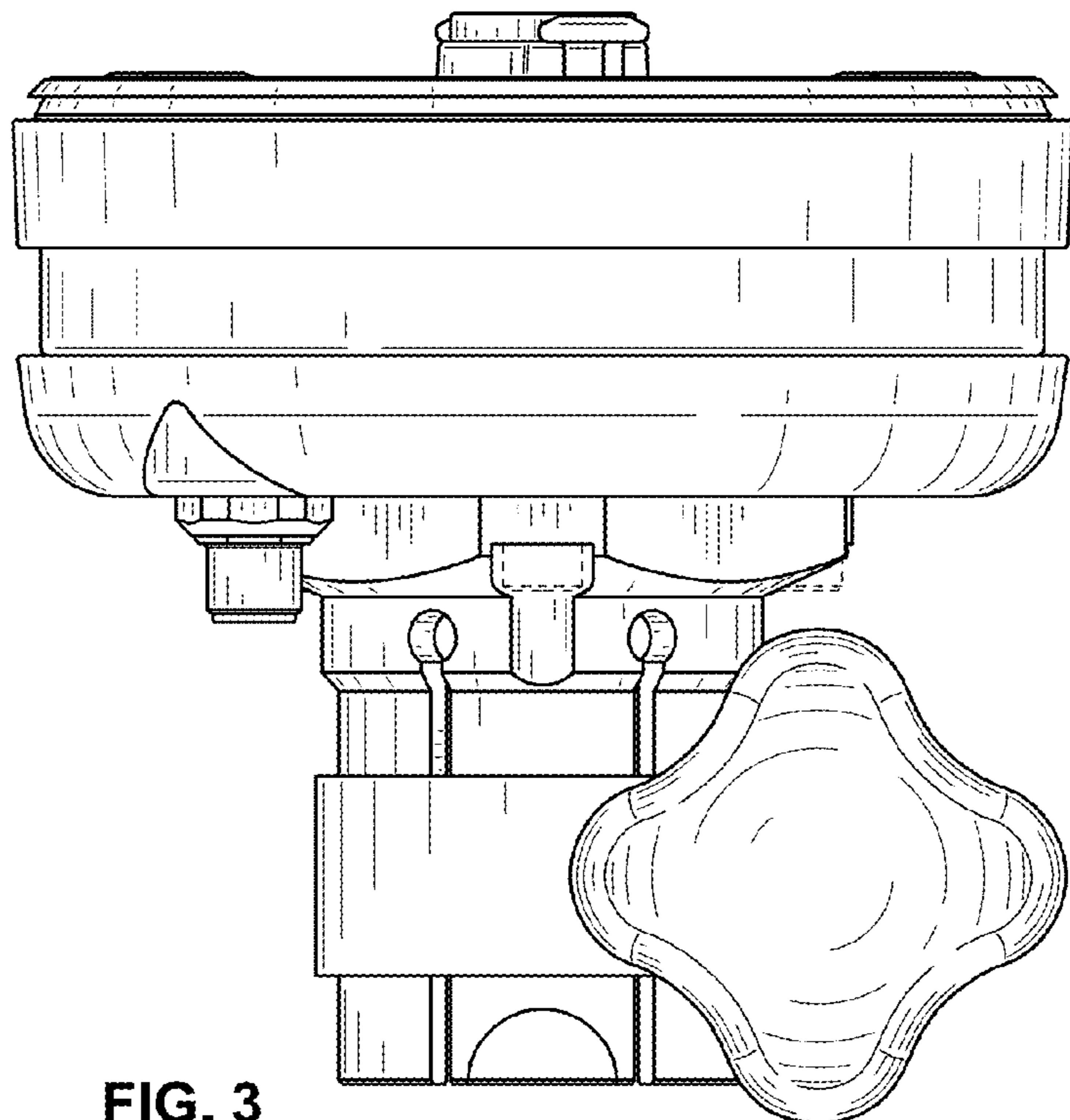


FIG. 3

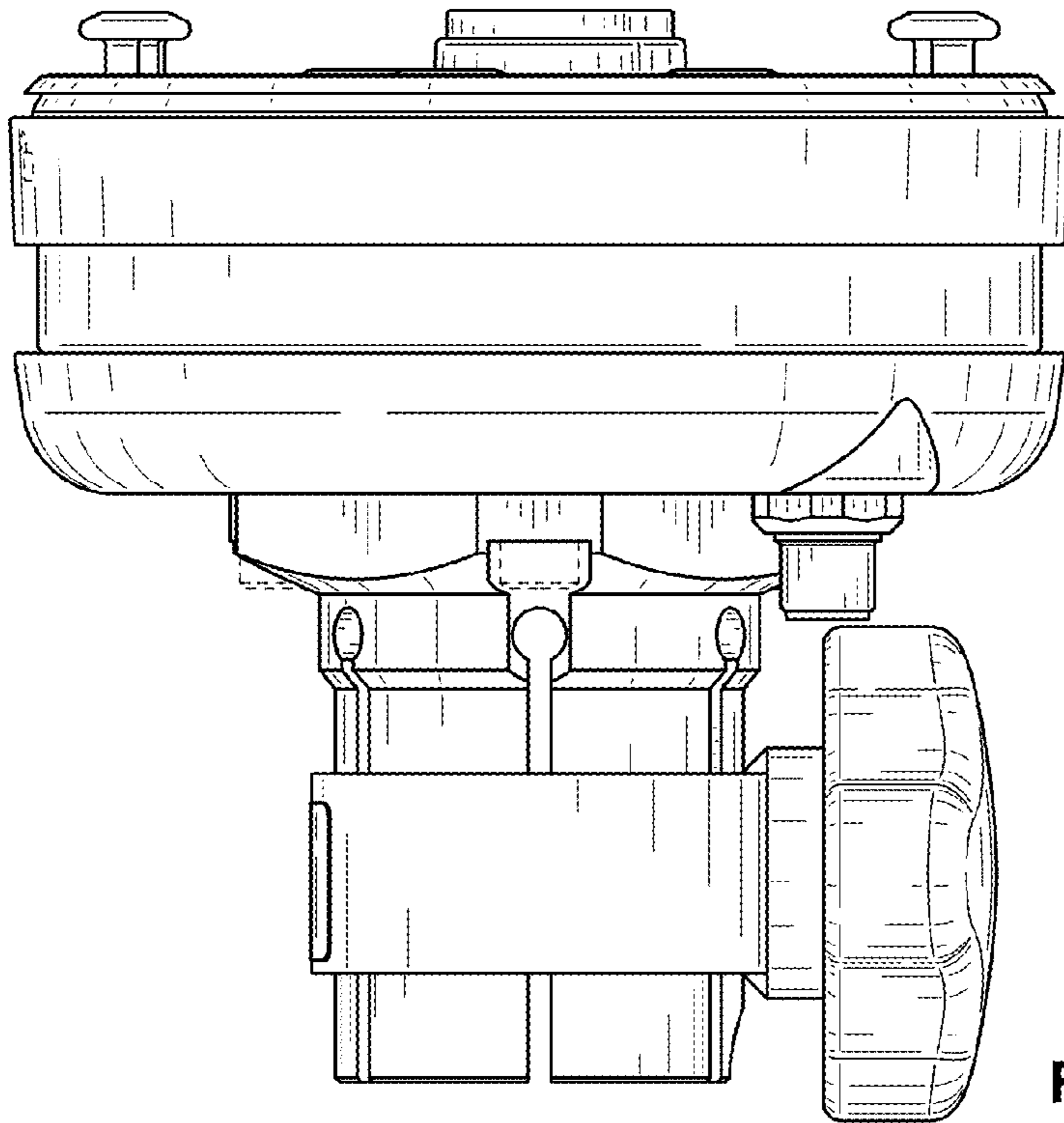


FIG. 4

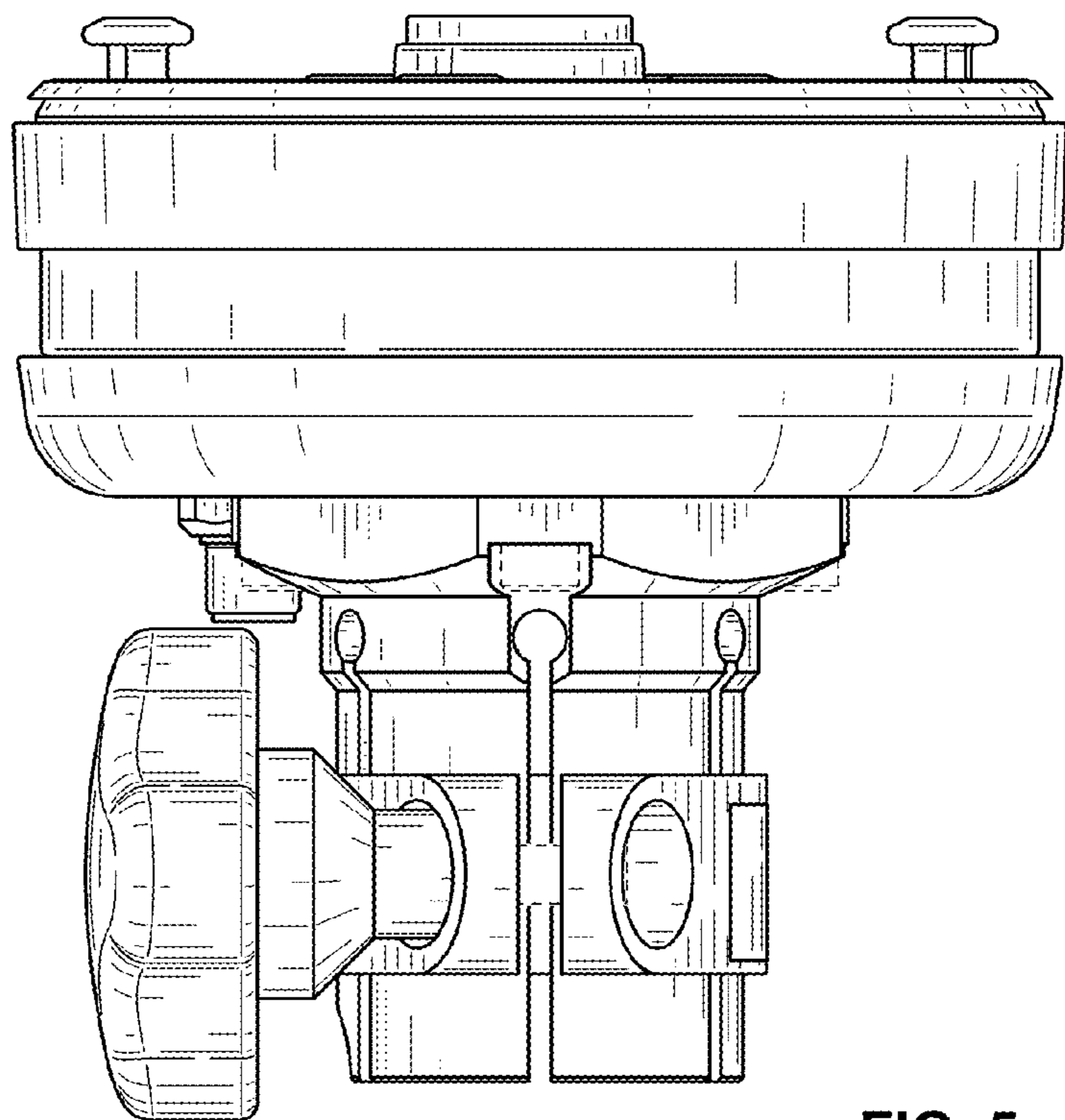


FIG. 5

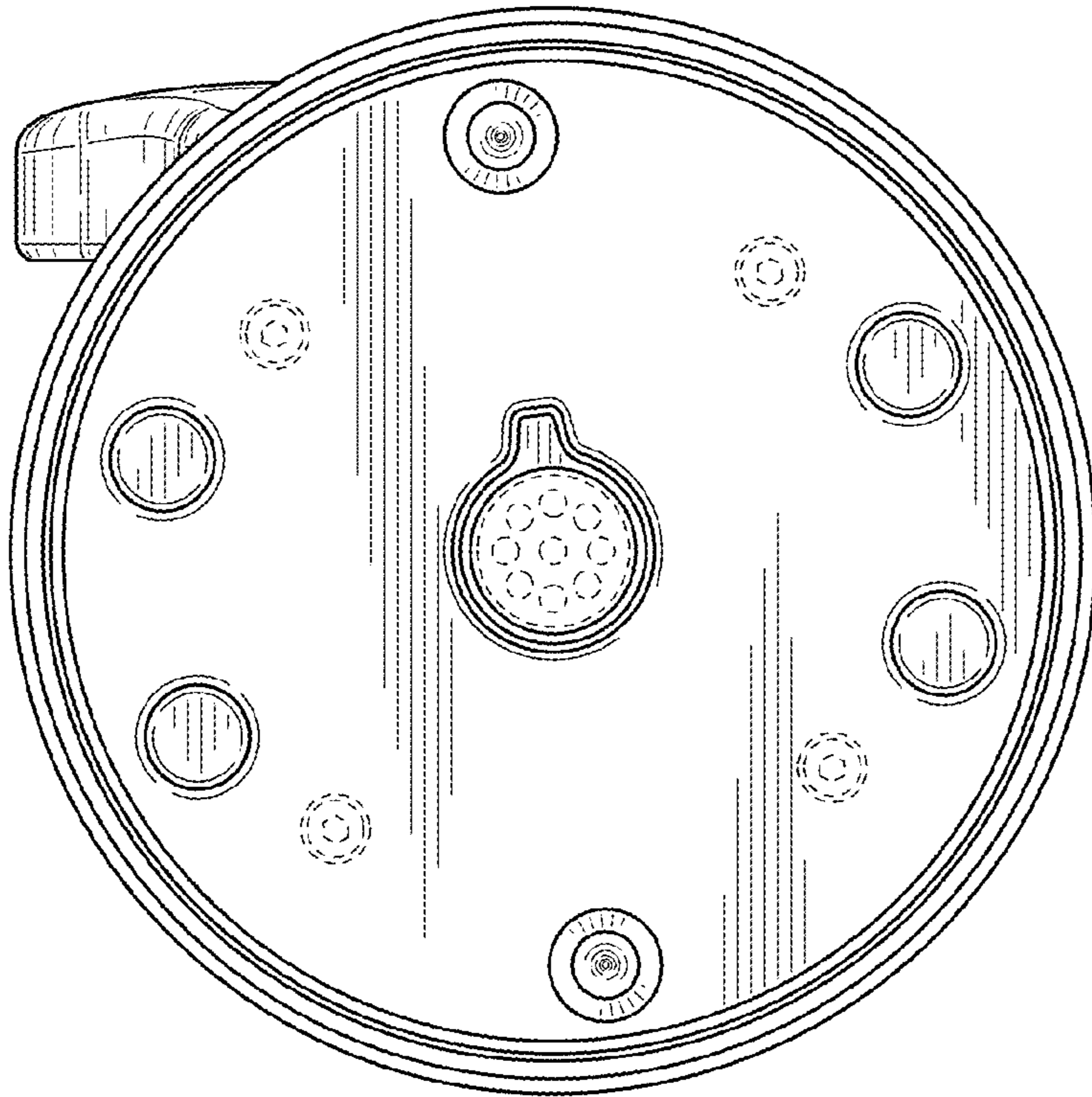


FIG. 6

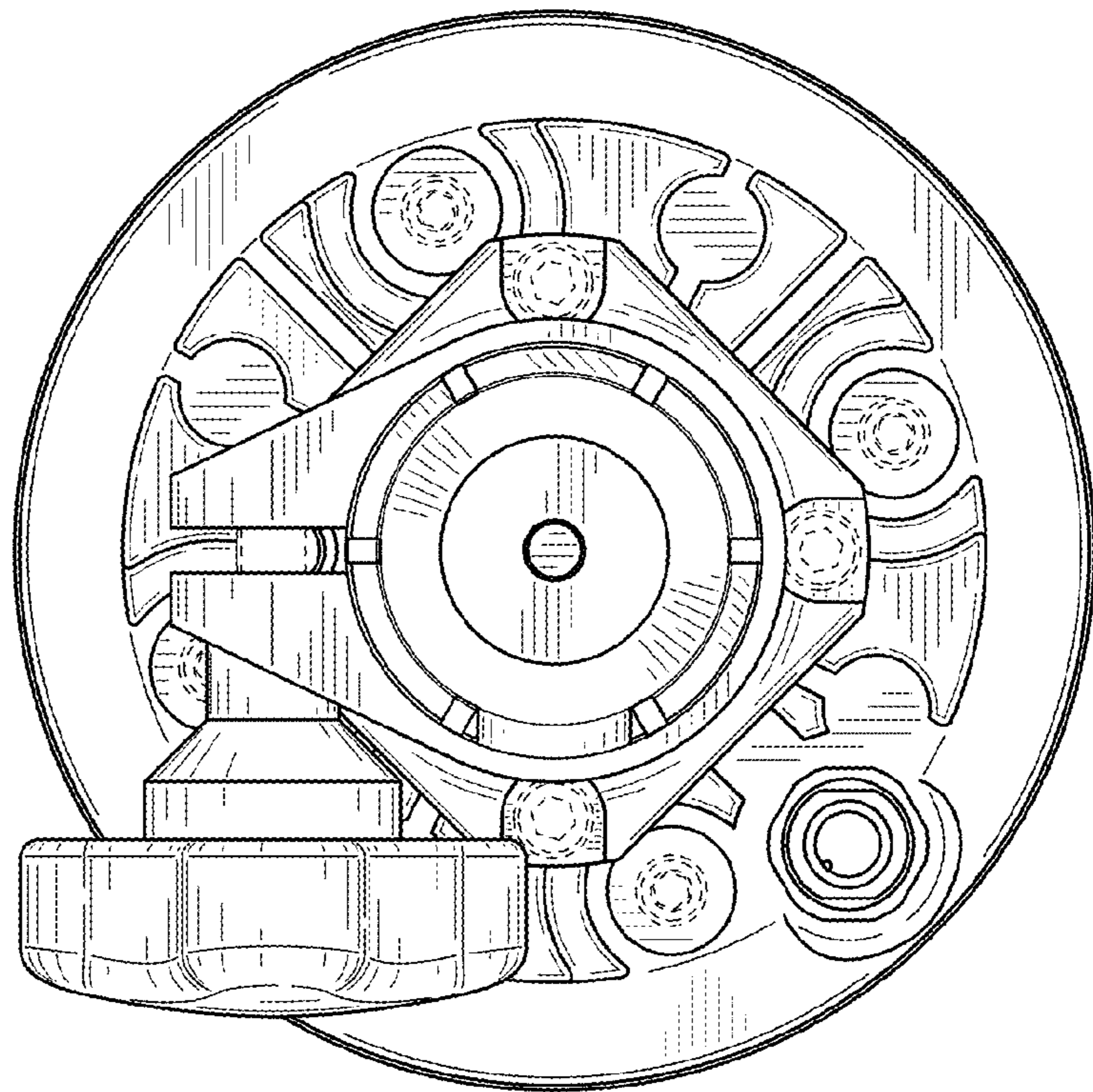


FIG. 7