



US00D885864S

(12) **United States Design Patent**
Garcia

(10) **Patent No.:** **US D885,864 S**

(45) **Date of Patent:** **** Jun. 2, 2020**

- (54) **LOCKING PIN**
- (71) Applicant: **Coulter Ventures, LLC**, Columbus, OH (US)
- (72) Inventor: **Nicolas Garcia**, Mt. Vernon, OH (US)
- (73) Assignee: **Coulter Ventures, LLC.**, Columbus, OH (US)

- 5,203,753 A * 4/1993 Rothhammer A63B 21/072
411/55
- 5,391,133 A * 2/1995 Ruffa A63B 21/0601
482/107
- D428,795 S * 8/2000 Wyers D8/341
- D444,050 S * 6/2001 Wyers D8/341
- D447,043 S * 8/2001 Wyers D8/339
- D461,392 S * 8/2002 Zapushek D8/331
- 6,722,170 B2 * 4/2004 Squier E05B 9/08
292/DIG. 53

(Continued)

(**) Term: **15 Years**

(21) Appl. No.: **29/667,362**

(22) Filed: **Oct. 19, 2018**

(51) **LOC (12) Cl.** **08-07**

(52) **U.S. Cl.**
USPC **D8/331**

(58) **Field of Classification Search**
USPC D8/330, 331, 336, 337, 338, 339, 341,
D8/342, 343, 350, 352, 353; D21/681,
D21/682, 694
CPC ... E05B 9/00; E05B 9/08; E05B 9/002; E05B
47/00; E05B 63/00; E05B 63/0004; E05B
63/06; E05B 51/00; E05B 55/00; E05B
47/0012; E05B 1/0007; E05B 47/068;
E05B 2047/0017; E05B 2047/002; E05B
49/00; E05B 47/0657; E05B 45/06; E05B
47/0603; E05B 2047/0068; E05B 47/02;
E05B 47/06; E05B 63/04; E05B 55/005;
E05B 47/0043; E05B 3/00

See application file for complete search history.

(56) **References Cited**

U.S. PATENT DOCUMENTS

- D248,114 S * 6/1978 Mangiapane D21/662
- D263,555 S * 3/1982 Curtis D8/331
- D279,495 S * 7/1985 Barbeau D21/681
- D280,433 S * 9/1985 Lincir D21/694
- 4,711,106 A * 12/1987 Johnson E05B 67/36
70/34

OTHER PUBLICATIONS

Product listing for Rogue Monster Plate Storage Pin from <https://web.archive.org/web/20170423182638/http://www.roguefitness.com/rogue-monster-plate-storage-pin>, dated Apr. 23, 2017.

(Continued)

Primary Examiner — Steven J Czyz

(74) *Attorney, Agent, or Firm* — Banner & Witcoff, Ltd.

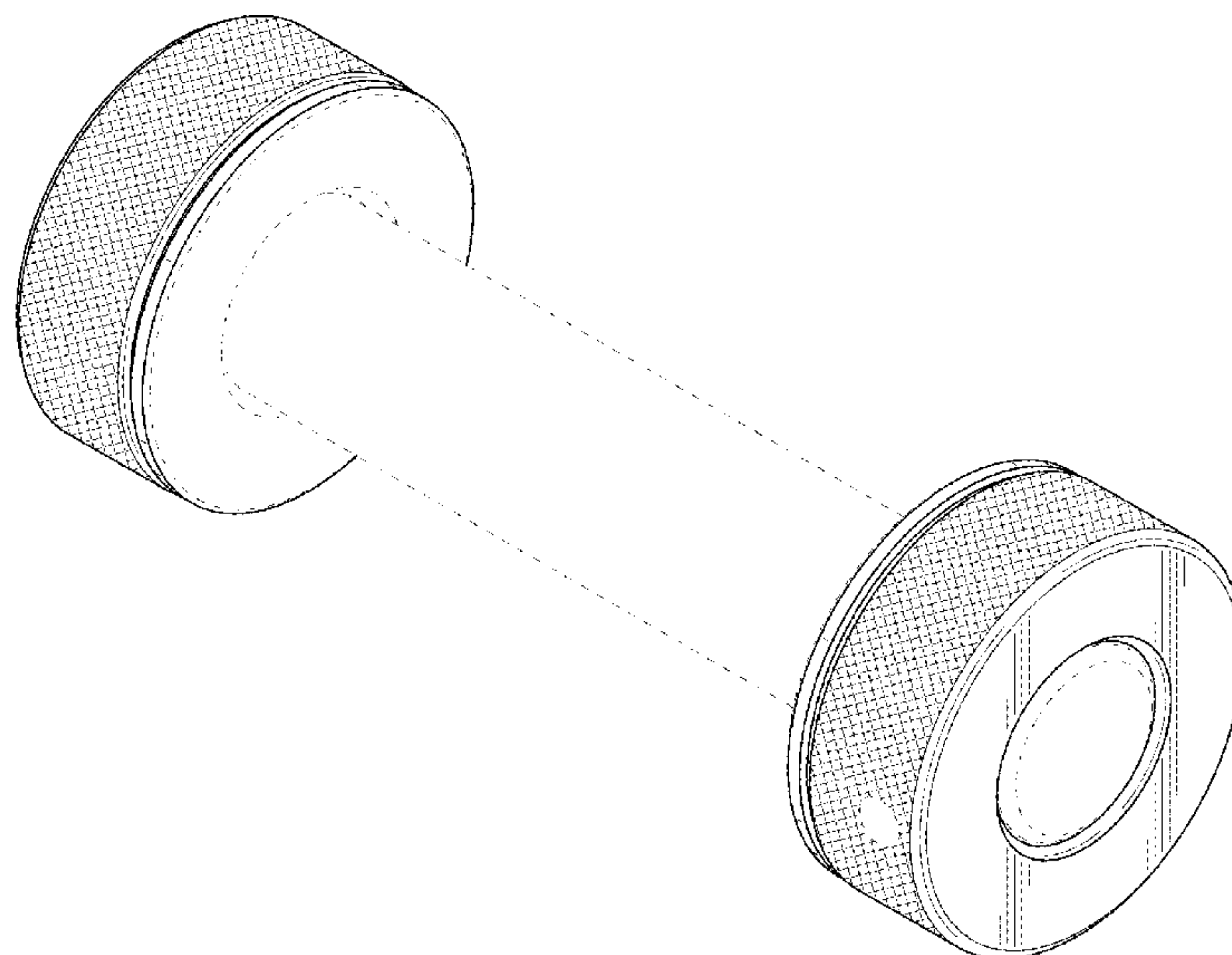
(57) **CLAIM**

The ornamental design for a locking pin, as shown and described.

DESCRIPTION

FIG. 1 is a top, front, right perspective view of a locking pin showing my new design;
 FIG. 2 is a right side view thereof;
 FIG. 3 is a left side view thereof;
 FIG. 4 is a top view thereof;
 FIG. 5 is a bottom view thereof;
 FIG. 6 is a front view thereof;
 FIG. 7 is a rear view thereof; and,
 FIG. 8 is a perspective view of the locking pin of FIGS. 1-7 shown in use with exemplary environment.
 The broken lines depict portions of the locking pin and environment that form no part of the claimed design. The cross-hatching shown in FIGS. 1-5 and 8 indicates knurling.

1 Claim, 5 Drawing Sheets



(56)

References Cited

U.S. PATENT DOCUMENTS

6,862,905 B2 * 3/2005 Zapushek B60D 1/60
70/14
D504,923 S * 5/2005 Harms D21/681
D561,001 S * 2/2008 Rohde D8/334
D581,248 S * 11/2008 Wu D8/343
D581,249 S * 11/2008 Wu D8/343
D589,779 S * 4/2009 Wrase D8/330
D594,311 S * 6/2009 Stevens D8/331
D615,605 S * 5/2010 Frasco D21/682
8,201,844 B1 * 6/2012 Smoot B60D 1/025
280/491.5
8,302,435 B2 * 11/2012 Burmesch B60D 1/02
70/14
D692,970 S * 11/2013 Lien D21/681
D694,091 S * 11/2013 Gartner D8/330
D709,754 S * 7/2014 Lylyk D8/331
D720,201 S * 12/2014 Gokcebay D8/331
D747,640 S * 1/2016 Scalisi D8/331
D758,167 S * 6/2016 Gartner D8/331
D758,168 S * 6/2016 Gartner D8/334
D770,881 S * 11/2016 Gartner D8/331
D793,205 S * 8/2017 Ho D8/300

D795,041 S * 8/2017 Oliva Camacho D8/331
D796,298 S * 9/2017 Lylyk D8/331
9,874,042 B2 * 1/2018 Gartner E05B 47/026
D830,811 S * 10/2018 Frantz D8/330
D837,031 S * 1/2019 Cavanna D8/331
D843,197 S * 3/2019 Dempsey D8/343
D857,143 S * 8/2019 Mateko D22/108

OTHER PUBLICATIONS

Photos of Rogue Monster Plate Storage Pin from <https://web.archive.org/web/20170423182638/http://www.roguefitness.com/rogue-monster-plate-storage-pin>, dated Apr. 23, 2017.
Product photo posted at <https://www.facebook.com/roguefitness/photos/a.128475269459/10157445836814460/?type=3&theater>, dated Sep. 28, 2018.
Product photo posted at <https://www.facebook.com/roguefitness/photos/a.128475269459/10157445836759460/?type=3&theater>, dated Sep. 28, 2018.
Product listing from <https://www.roguefitness.com/rogue-monster-keyhole-keyless-plate-storage-pin>, product disclosed prior to Oct. 19, 2018, but not on or prior to Oct. 19, 2017.

* cited by examiner

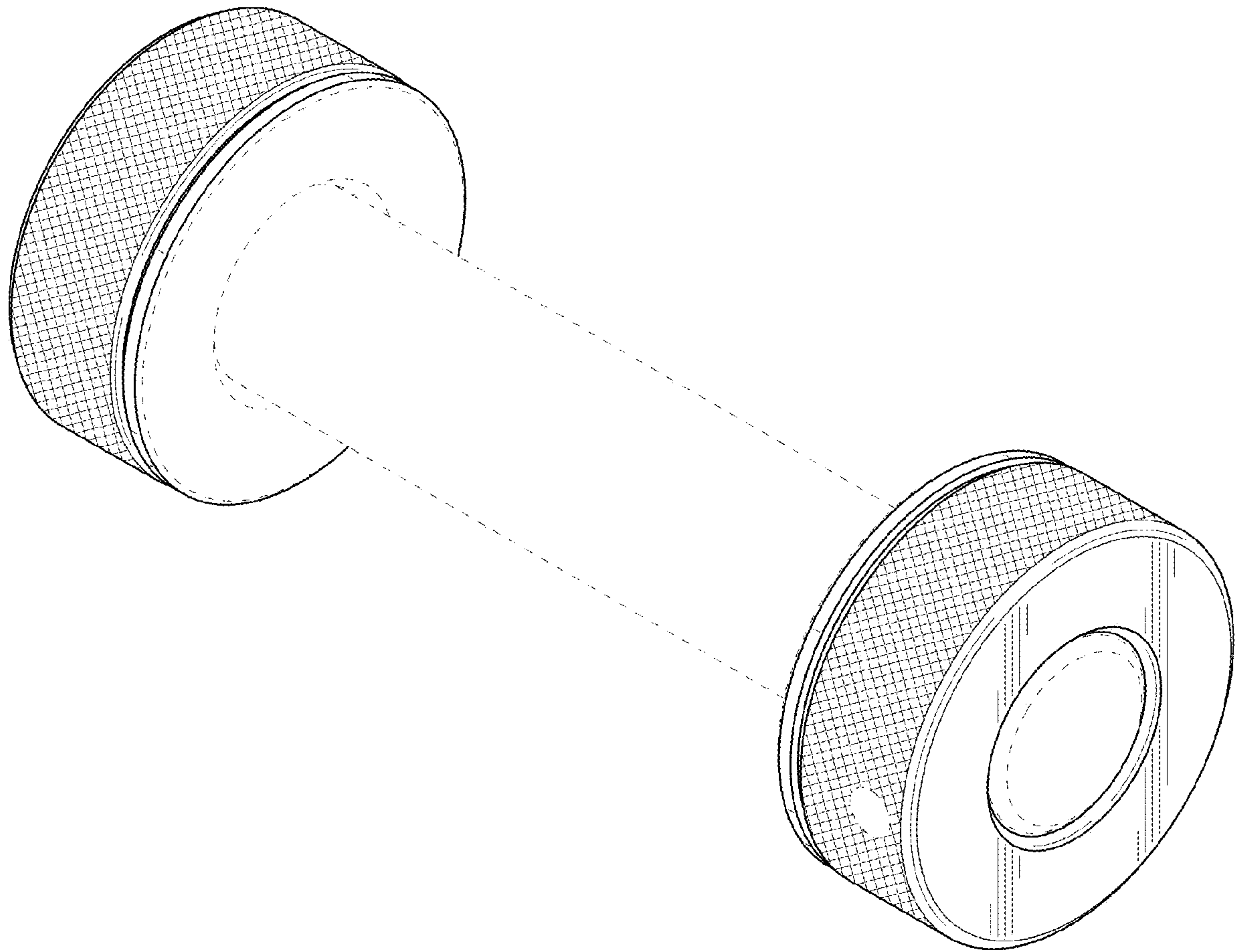


FIG. 1



FIG. 2



FIG. 3



FIG. 4

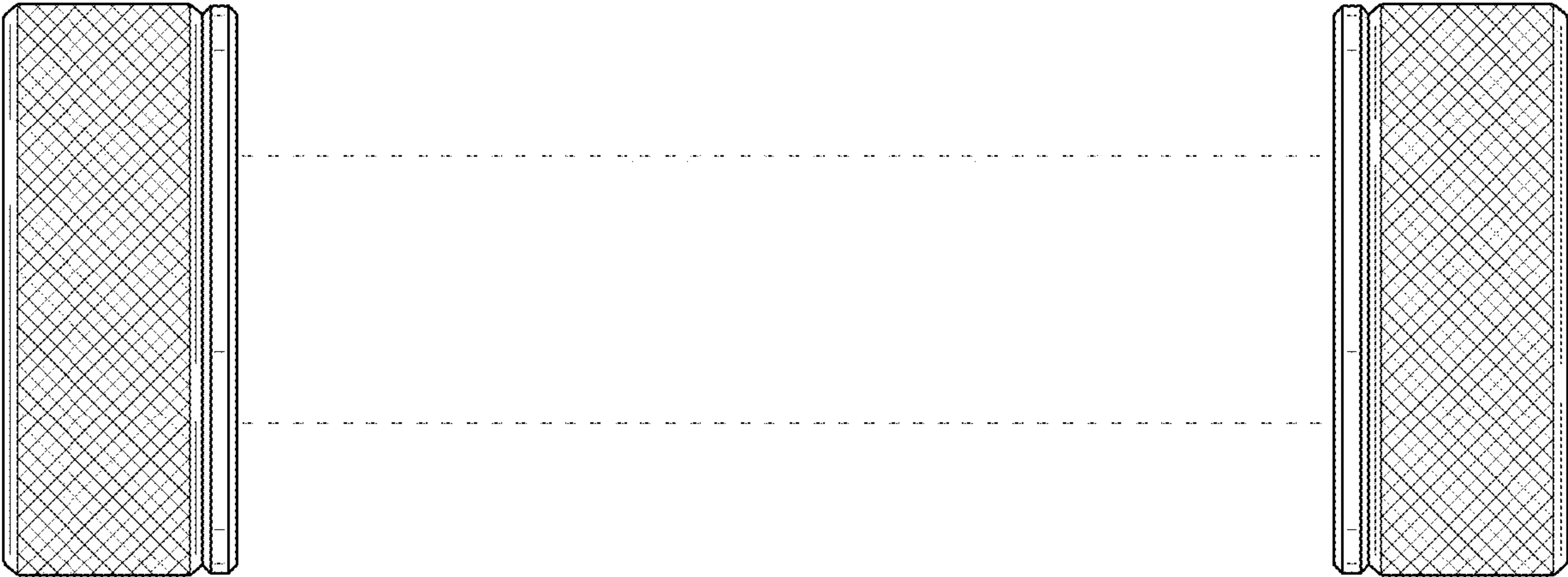


FIG. 5

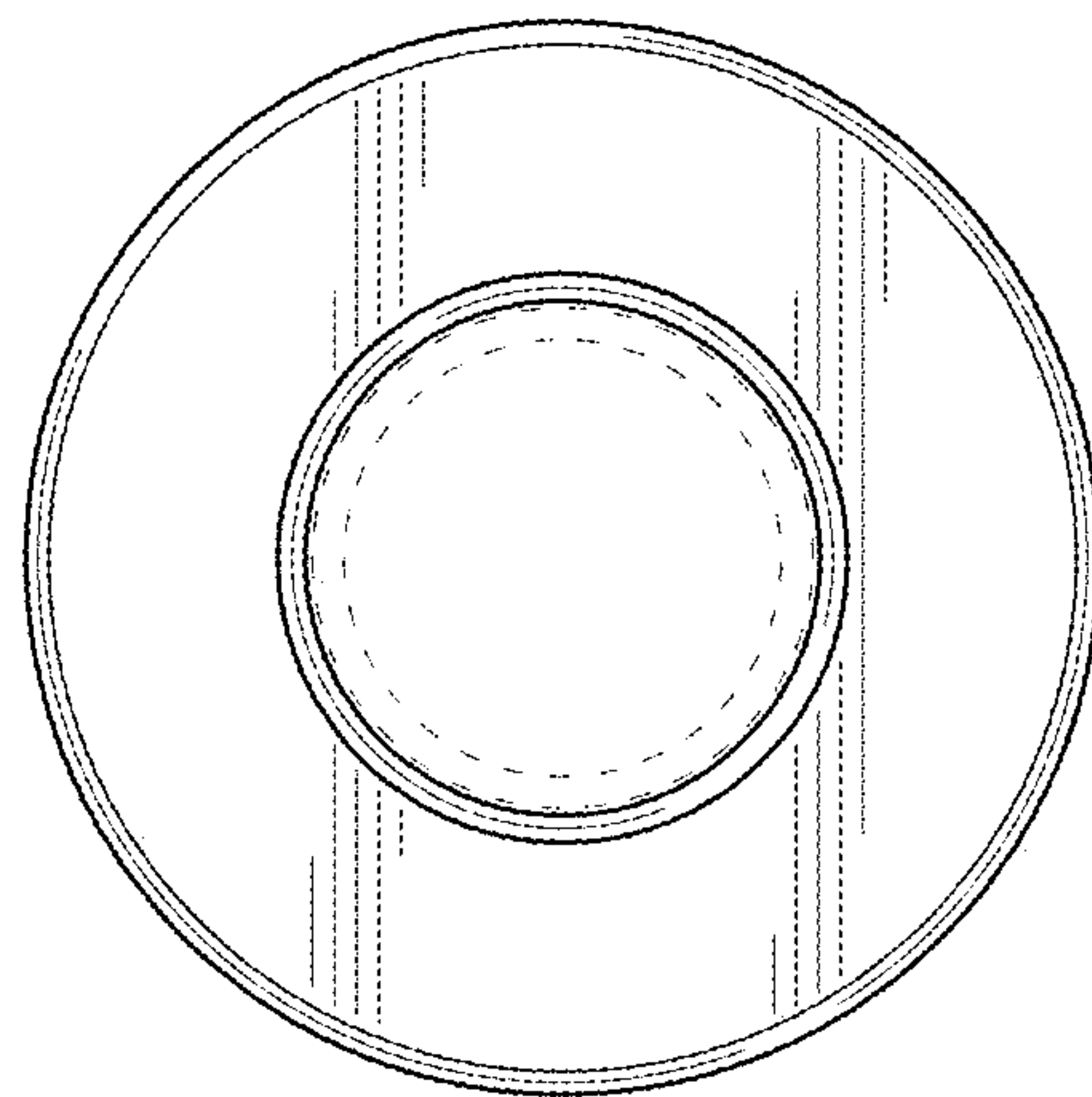


FIG. 6

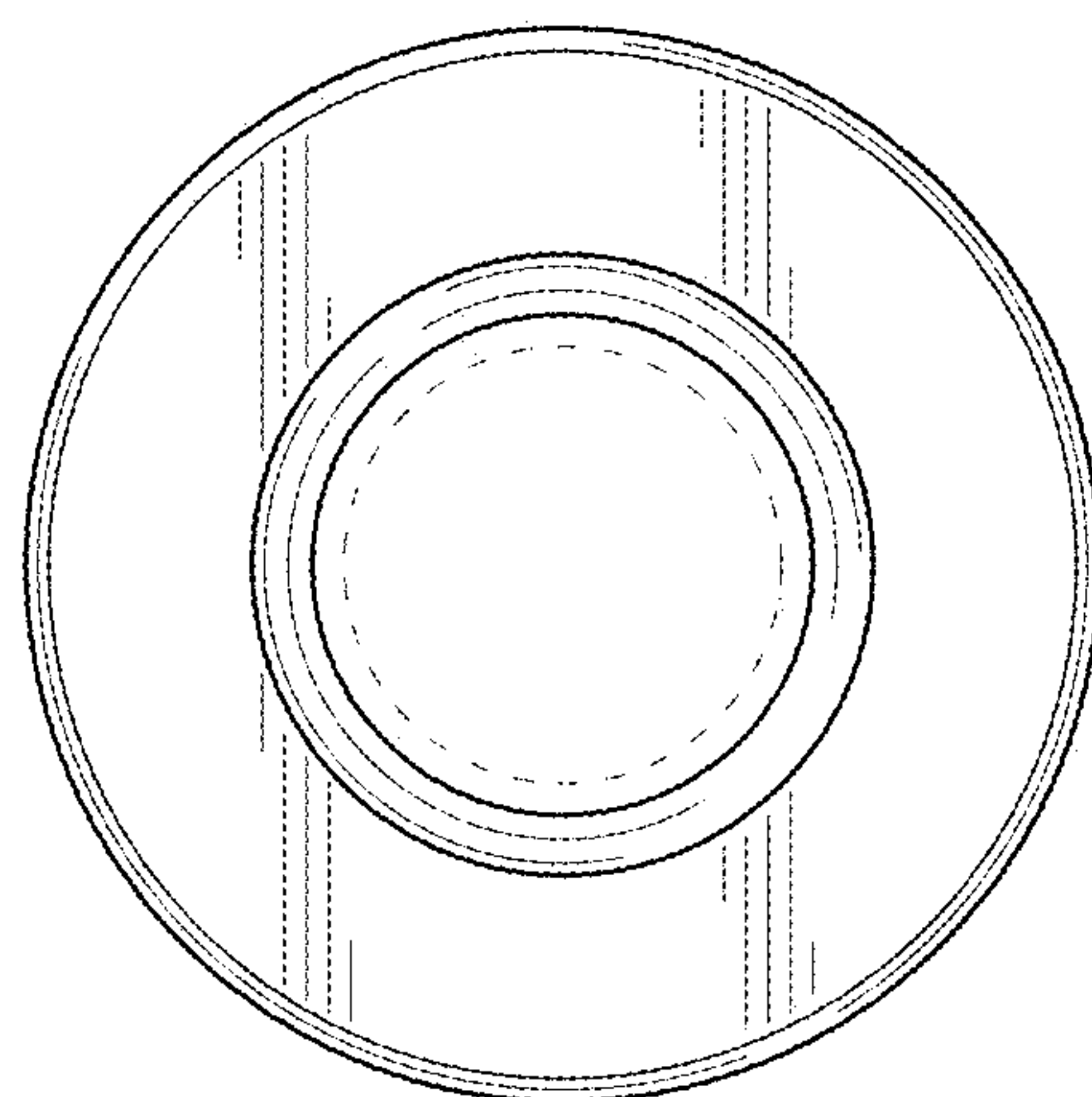


FIG. 7

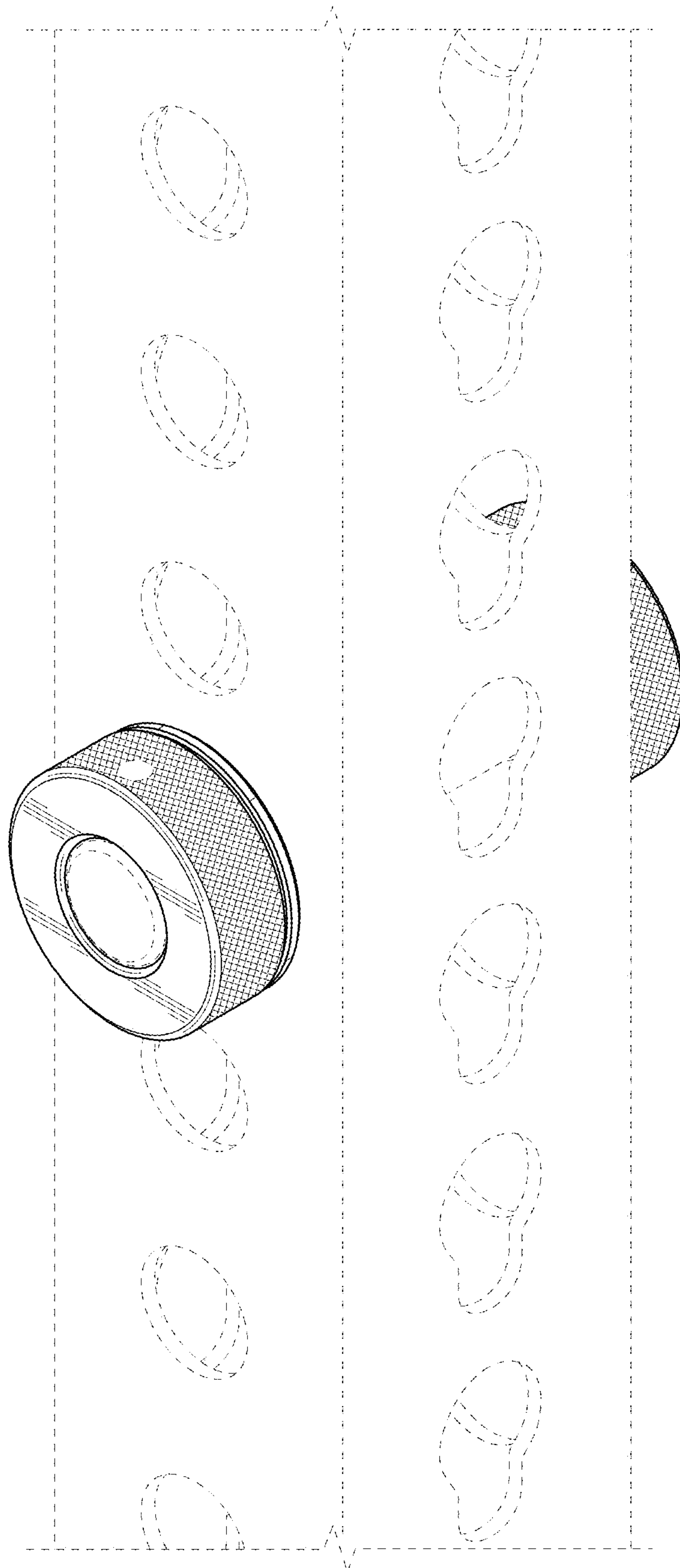


FIG. 8