



US00D885863S

(12) **United States Design Patent**
Hartt

(10) **Patent No.:** **US D885,863 S**

(45) **Date of Patent:** **** Jun. 2, 2020**

- (54) **TOOL**
- (71) Applicant: **iFixit**, San Luis Obispo, CA (US)
- (72) Inventor: **Brett Hartt**, Atascadero, CA (US)
- (73) Assignee: **iFixit**, San Luis Obispo, CA (US)
- (**) Term: **15 Years**
- (21) Appl. No.: **29/614,986**

D397,015 S *	8/1998	Hall	D8/14
6,016,725 A *	1/2000	Tillitski	B25B 13/00
				81/121.1
D471,639 S *	3/2003	McMichael	D24/216
D516,392 S *	3/2006	de Vries	D7/688
D533,944 S *	12/2006	Sullivan et al.	D24/147
D668,523 S *	10/2012	Ortiz	D8/14
D704,024 S *	5/2014	Tronconi	B25G 1/04
				D8/107
D723,881 S *	3/2015	Cloutier	D7/688
D740,082 S *	10/2015	Silva	D7/688

(Continued)

- (22) Filed: **Aug. 24, 2017**
- (30) **Foreign Application Priority Data**

Jun. 29, 2017 (EM) 004075067-0005
 Jun. 29, 2017 (EM) 004075067-0006

- (51) **LOC (12) Cl.** **08-05**
- (52) **U.S. Cl.**
USPC **D8/105**

- (58) **Field of Classification Search**
USPC D8/105-107, 11, 26, 52, 54, 55, 75, 76,
D8/88, 89, 95, 99; D20/11, 22, 40;
D22/118; D15/133; D24/147, 216
CPC ... B25F 1/04; B25B 7/22; B25B 13/00; B25B
9/00; B25B 27/00; B25B 13/46; B26D
1/00; B25G 1/08; B25C 11/00; A46B
15/00

See application file for complete search history.

- (56) **References Cited**

U.S. PATENT DOCUMENTS

D47,263 S *	4/1915	Ladd	254/131
1,825,710 A *	10/1931	Biddle	A61C 13/0028
				433/82
D134,799 S *	1/1943	Taylor	157/1.3
D230,128 S *	1/1974	Fistler	D8/26
D271,370 S *	11/1983	San Antonio	D8/14
4,813,120 A *	3/1989	Fournier	B25B 27/0028
				29/235
D314,319 S *	2/1991	Keller	D8/107

OTHER PUBLICATIONS

How To: Replace the Display on your Samsung Galaxy S8, iFixit Video, published on Aug. 17, 2017 on youtube.com, retrieved on Oct. 5, 2018, retrieved from the Internet URL: <https://www.youtube.com/watch?v=bYMVlbrhbPA>.*

(Continued)

Primary Examiner — Jennifer Rivard
Assistant Examiner — Alison M Ofstun
 (74) *Attorney, Agent, or Firm* — Cynthia Replogle

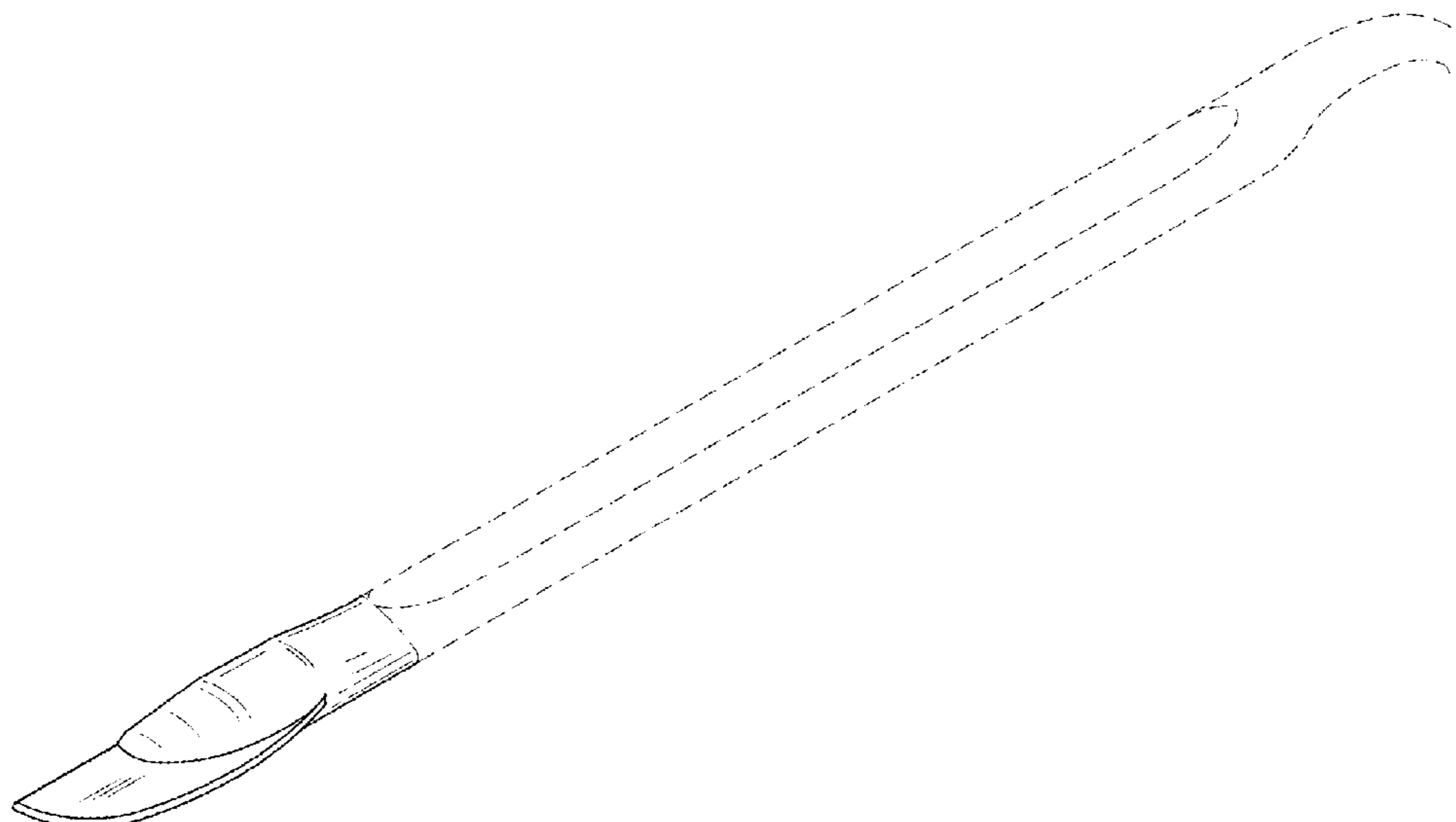
(57) **CLAIM**

The ornamental design for a tool, as shown and described.

DESCRIPTION

FIG. 1 is a perspective view of a tool showing my new design;
 FIG. 2 is a side view of FIG. 1, the opposite side being a mirror image;
 FIG. 3 is a top view of FIG. 1;
 FIG. 4 is a bottom view of FIG. 1; and,
 FIG. 5 is a front view of FIG. 1.
 In the drawings, the evenly-spaced broken lines represent portions of the article which form no part of the claimed design. The dot-dash broken lines represent a boundary to the claimed design and form no part thereof.

1 Claim, 5 Drawing Sheets



(56)

References Cited

U.S. PATENT DOCUMENTS

D772,373 S * 11/2016 Calbi D22/108
D795,663 S * 8/2017 Calman et al. D8/14

OTHER PUBLICATIONS

Phone Case Opening Tool, Laptops and other Electronic Devices,
wtbm123, published on Apr. 3, 2013 on youtube.com, retrieved on
Oct. 5, 2018, retrieved from the Internet URL: https://www.youtube.com/watch?v=q83S06O8_nY.*

* cited by examiner

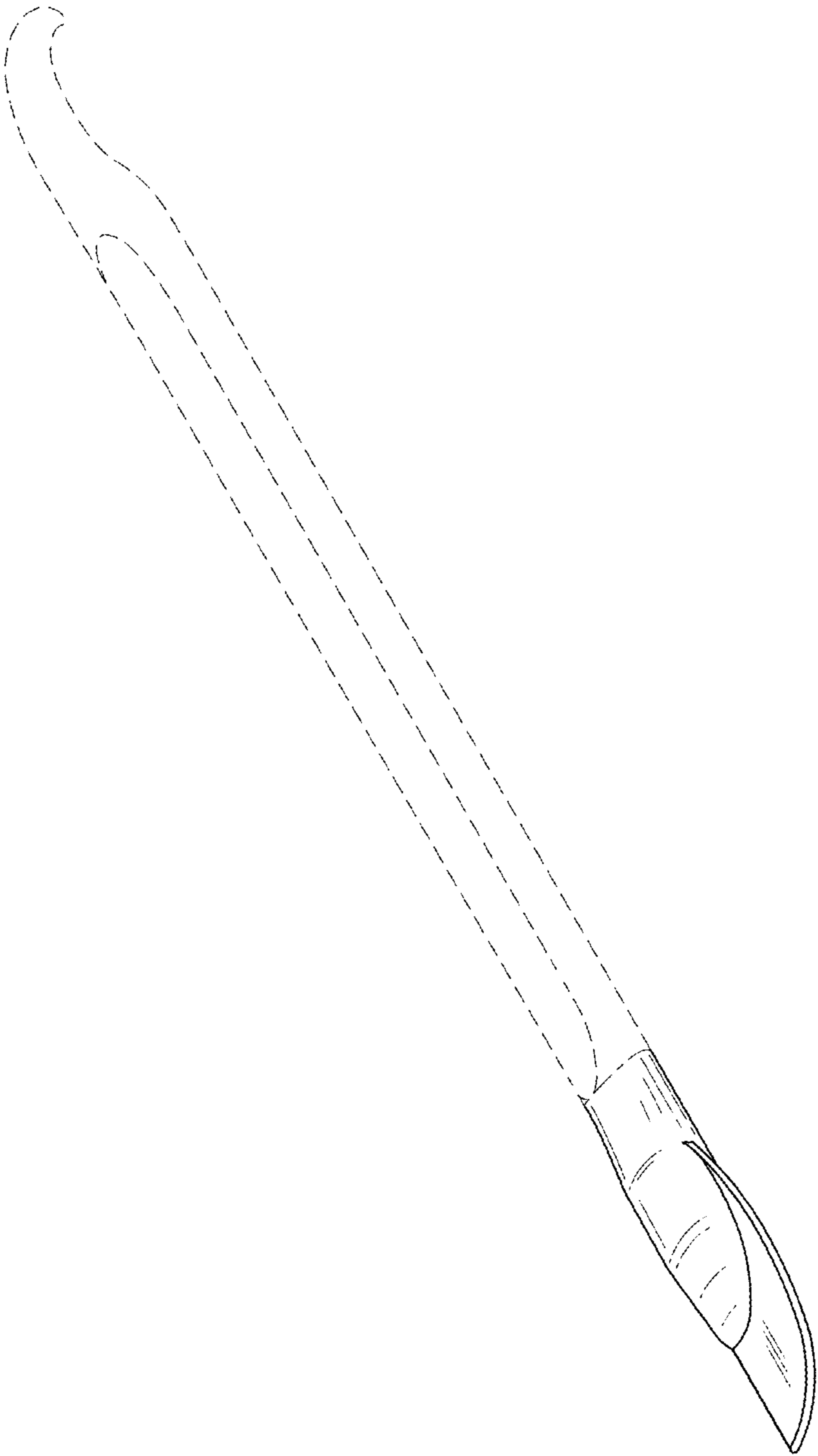


FIG. 1

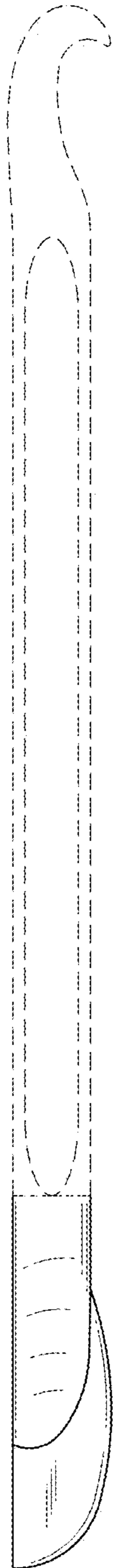


FIG. 2

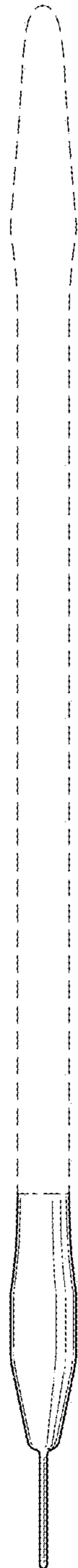


FIG. 3



FIG. 4

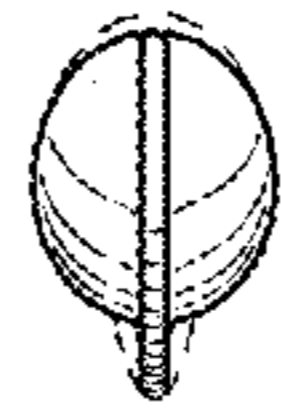


FIG. 5