



US00D885860S

(12) **United States Design Patent** (10) **Patent No.:** **US D885,860 S**
Sperber (45) **Date of Patent:** **** Jun. 2, 2020**

(54) **TORQUE TOOL**

(71) Applicant: **RED-E-ROW PRODUCTS, LLC,**
South Daytona, FL (US)

(72) Inventor: **Perry R Sperber,** South Daytona, FL
(US)

(**) Term: **15 Years**

(21) Appl. No.: **29/711,345**

(22) Filed: **Oct. 30, 2019**

(51) **LOC (12) Cl.** **08-05**

(52) **U.S. Cl.**
USPC **D8/28**

(58) **Field of Classification Search**
USPC D8/21, 27, 28, 29
CPC B25B 27/24; B25B 27/0057
See application file for complete search history.

(56) **References Cited**

U.S. PATENT DOCUMENTS

D274,404 S	6/1984	Adler	
4,836,065 A	6/1989	Setliff	
D316,363 S *	4/1991	Lisenbee	D8/27
D329,178 S	9/1992	Ackerman	
5,806,380 A	9/1998	Wilsey	
D426,438 S *	6/2000	Ciok	D8/29
D434,622 S	12/2000	Jaynes	
6,419,601 B1	7/2002	Kenner	
D464,545 S *	10/2002	Marty	D8/21
D493,081 S *	7/2004	Chen	D8/29
D552,442 S *	10/2007	Hutchings	D8/29
7,293,482 B1	11/2007	Wolf	
D588,887 S *	3/2009	Lehman	D8/29
7,506,853 B2	3/2009	Sweere et al.	
D600,521 S *	9/2009	Butler	D8/29
D622,118 S *	8/2010	Patti	D8/29
D688,544 S *	8/2013	Evans	D8/29
D750,945 S *	3/2016	Baggett	D8/29
D755,026 S *	5/2016	Kim	D8/21

D772,030 S *	11/2016	Andersen	D8/29
D781,674 S	3/2017	Bullard	
D815,504 S *	4/2018	Feuerstein	D8/29
D833,839 S	11/2018	Scano	
10,124,471 B2	11/2018	Sturner	

(Continued)

Primary Examiner — Michael A. Pratt

(74) *Attorney, Agent, or Firm* — Lori Sandman, Esq.

(57) **CLAIM**

The ornamental design for a torque tool, as shown and described.

DESCRIPTION

FIG. 1 is a perspective view of the torque tool of this invention;

FIG. 2 is a perspective view thereof, opposite the end shown in FIG. 1;

FIG. 3 is a sectional view thereof, showing the interior structure of one half of the tool, where both halves are identical;

FIG. 4 is a side view thereof;

FIG. 5 is a bottom view thereof;

FIG. 6 is a top view thereof;

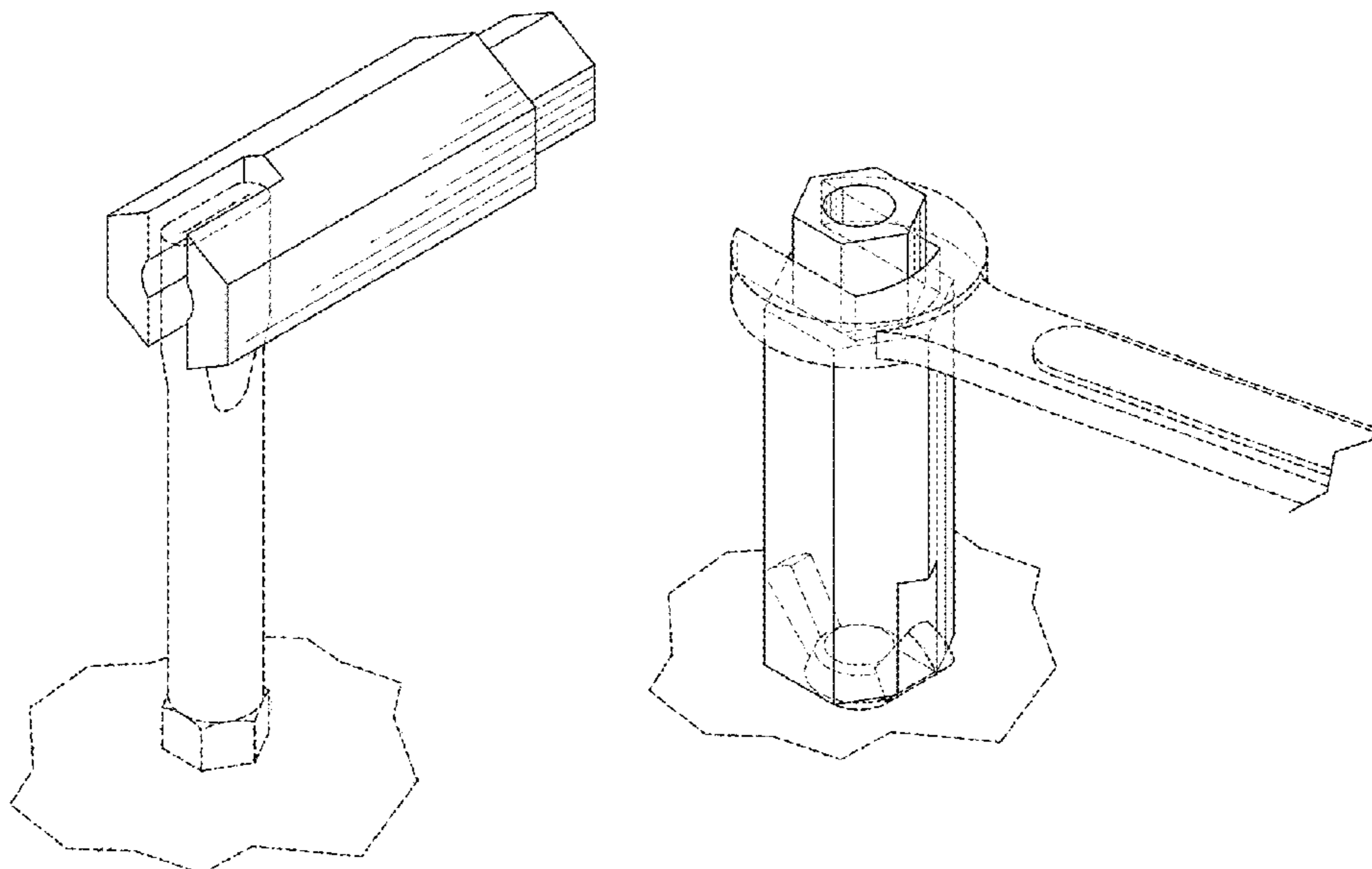
FIG. 7 is a perspective view thereof engaged with a fastener or component in the recess of the tool, said fastener or component is provided for context and forms no part of the invention;

FIG. 8 is a perspective view thereof engaged with a differently configured component in the recess of the tool than is shown in FIG. 7, said component is provided for context and forms no part of the invention;

FIG. 9 is a perspective view thereof engaged with a wing nut in the recess, said wing nut is provided for context and forms no part of the invention; and,

FIG. 10 is a perspective view thereof engaged with a wing nut and coupled with a wrench to extend torque capacity, said wing nut and said wrench are provided for context and form no part of the invention.

1 Claim, 2 Drawing Sheets



(56)

References Cited

U.S. PATENT DOCUMENTS

D839,702 S * 2/2019 Kelner D8/29
D853,808 S * 7/2019 Hyma D8/29
2018/0257205 A1* 9/2018 Wood B25B 27/0035

* cited by examiner

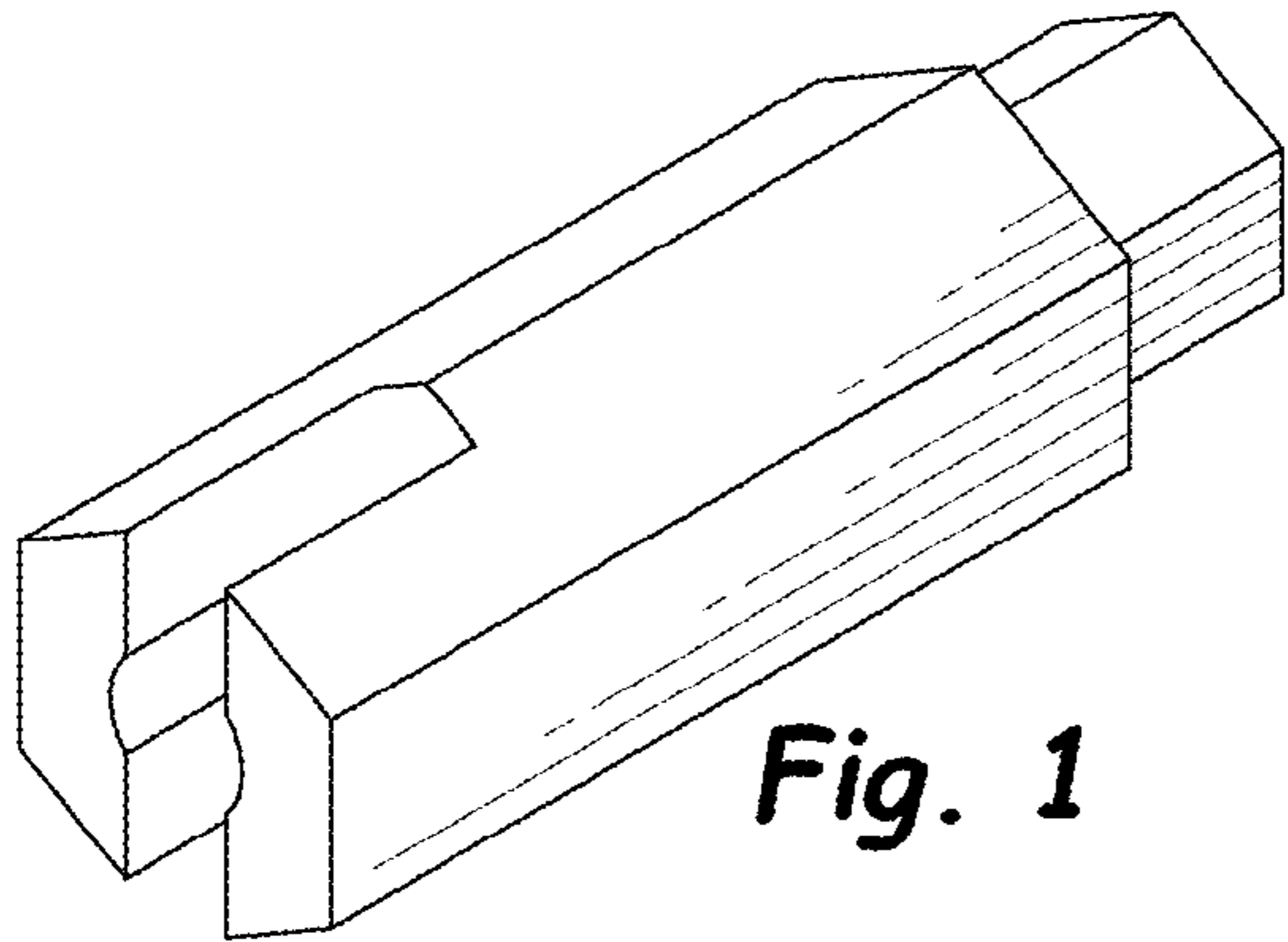


Fig. 1

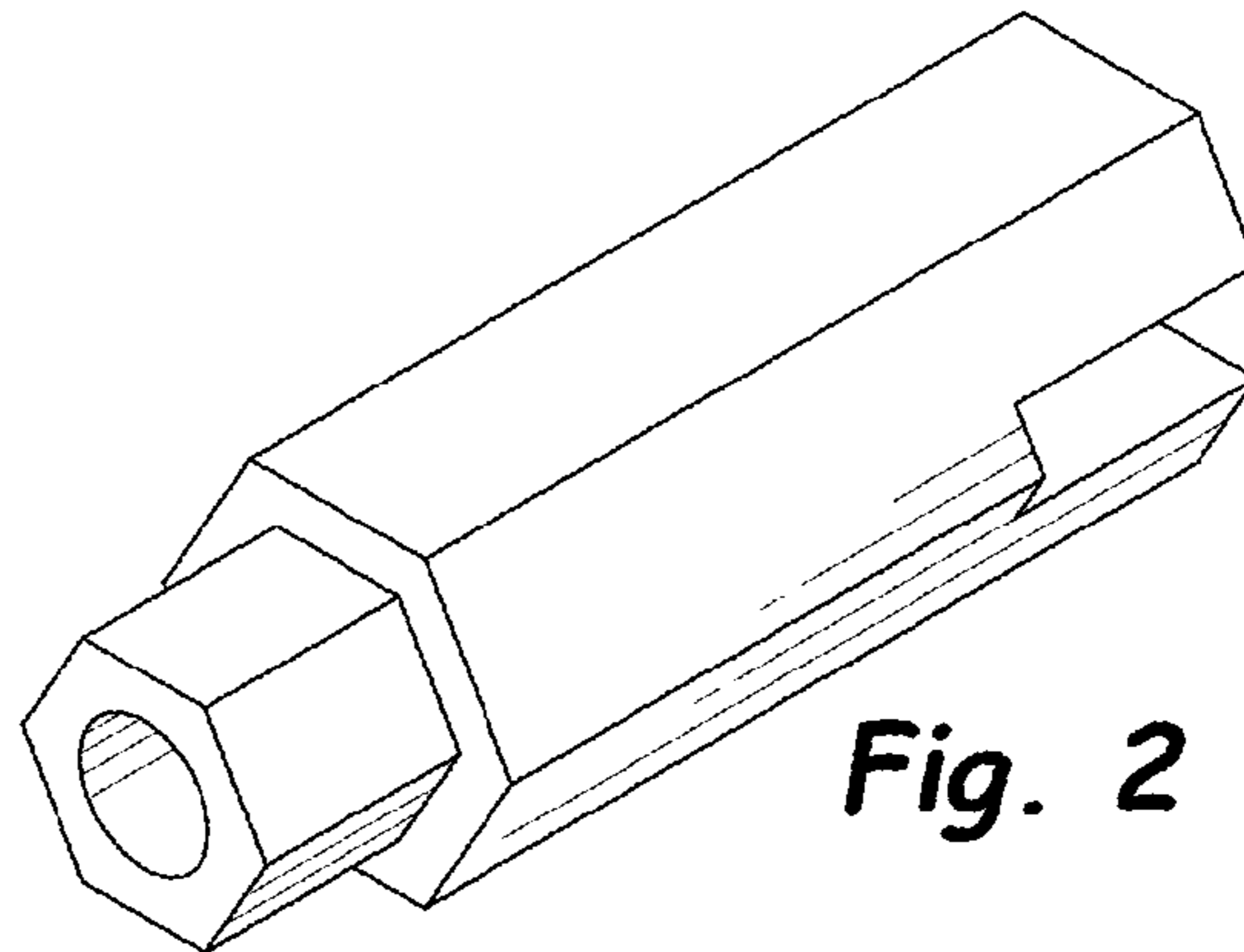


Fig. 2

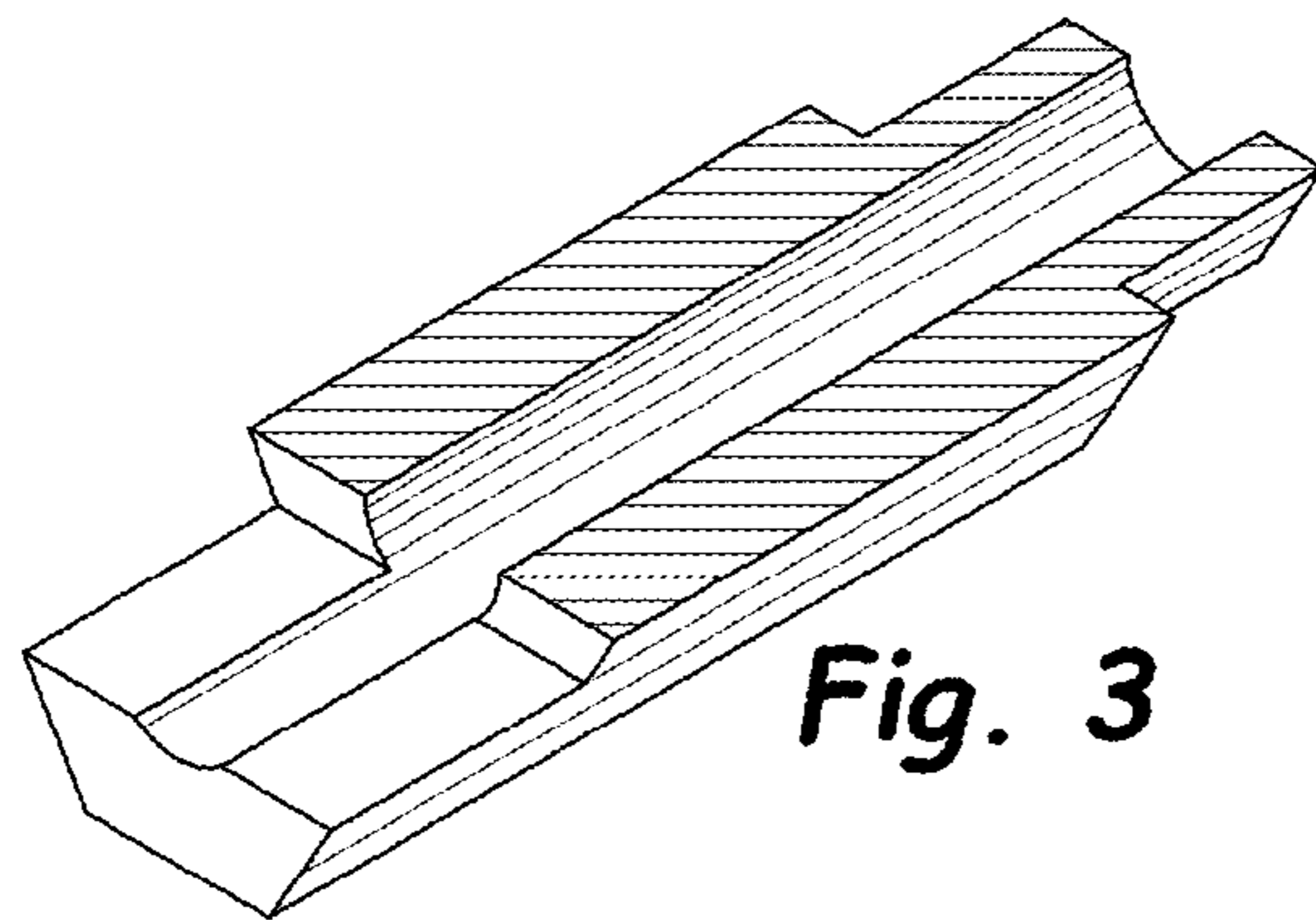


Fig. 3

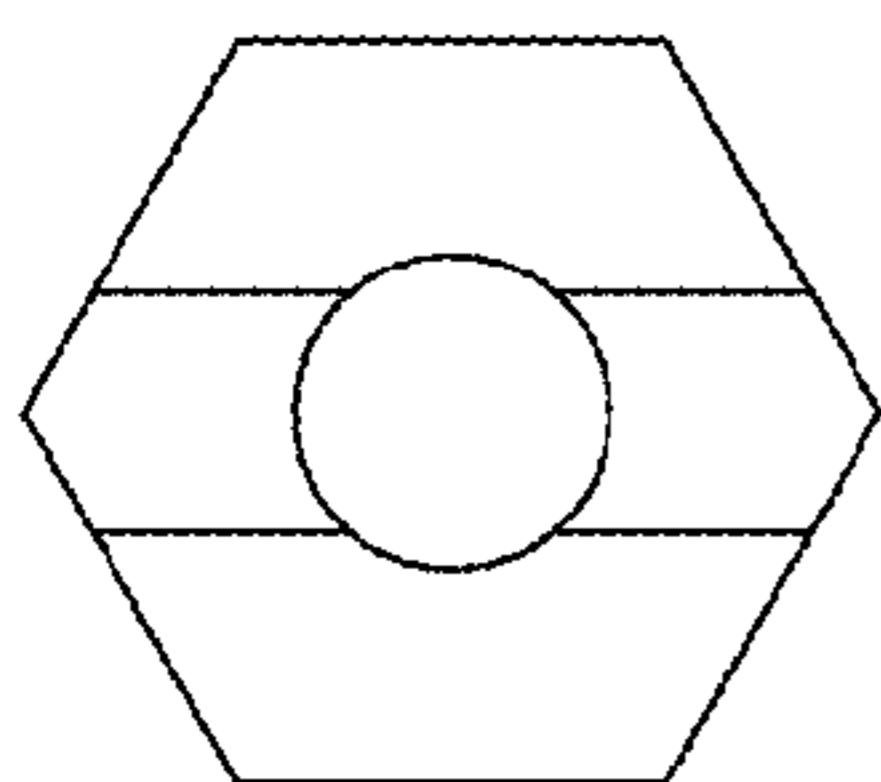


Fig. 5

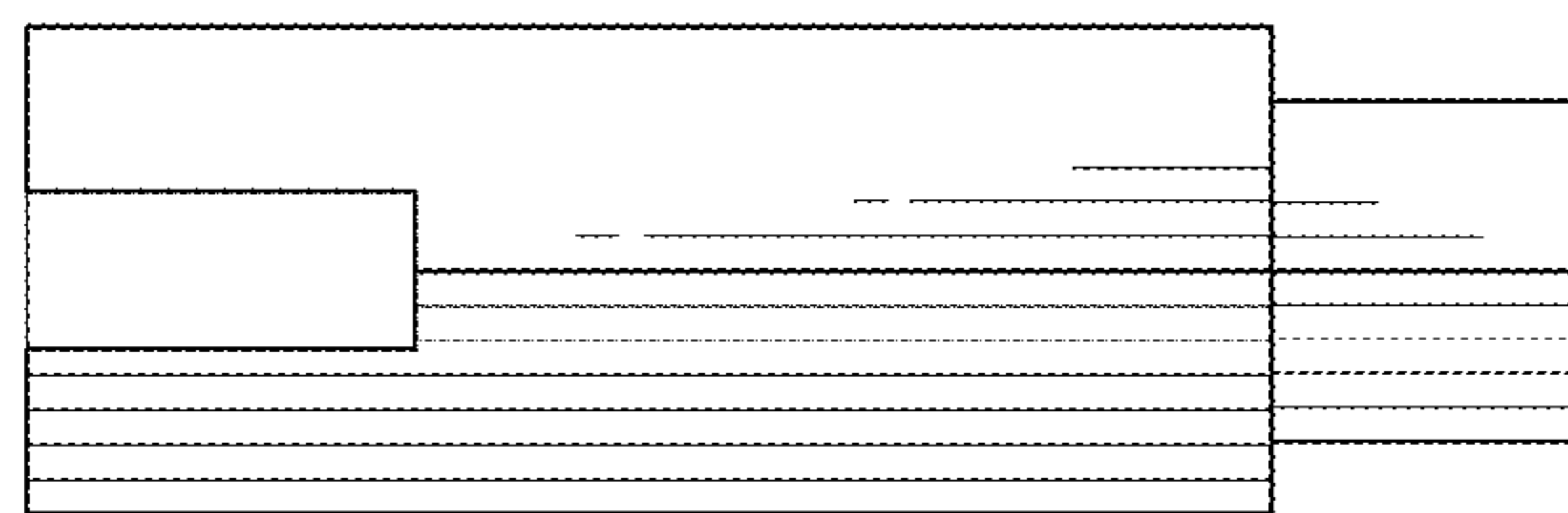


Fig. 4

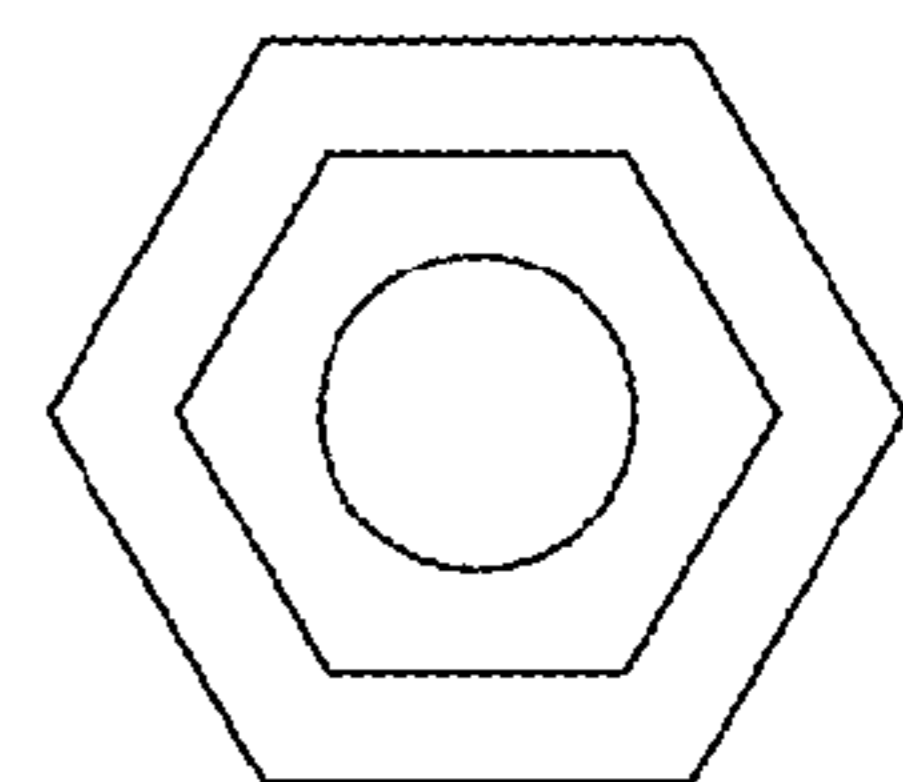


Fig. 6

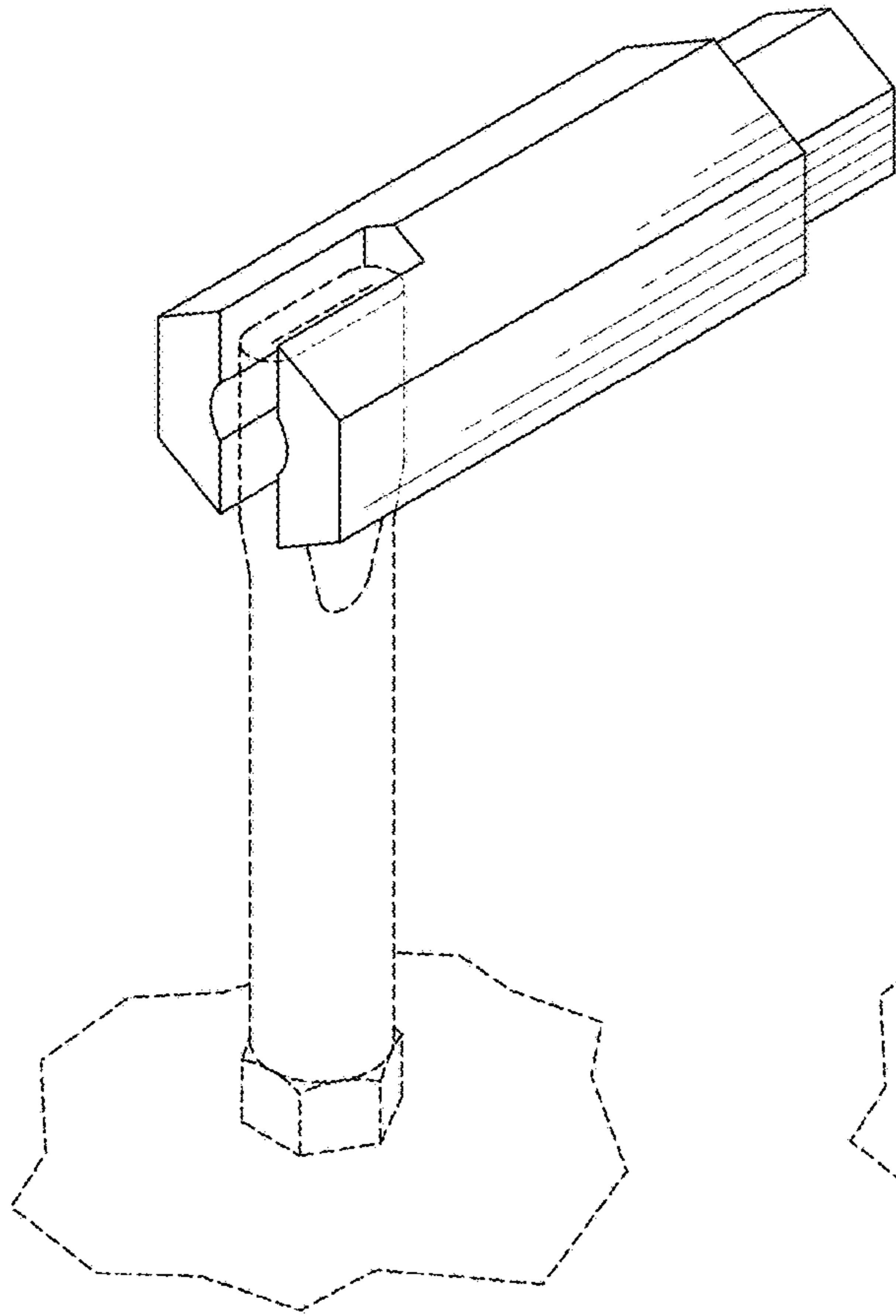


Fig. 7

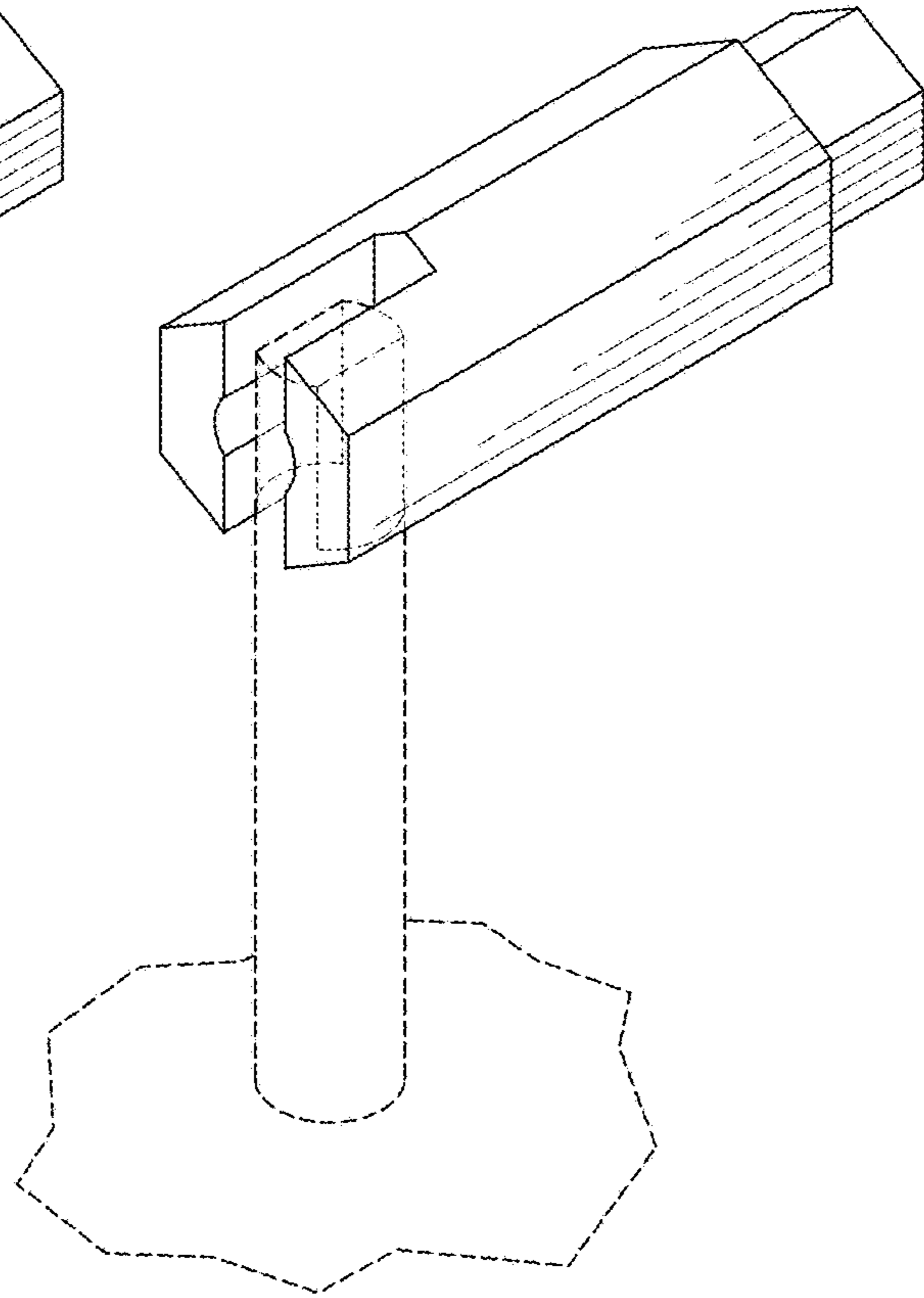


Fig. 8

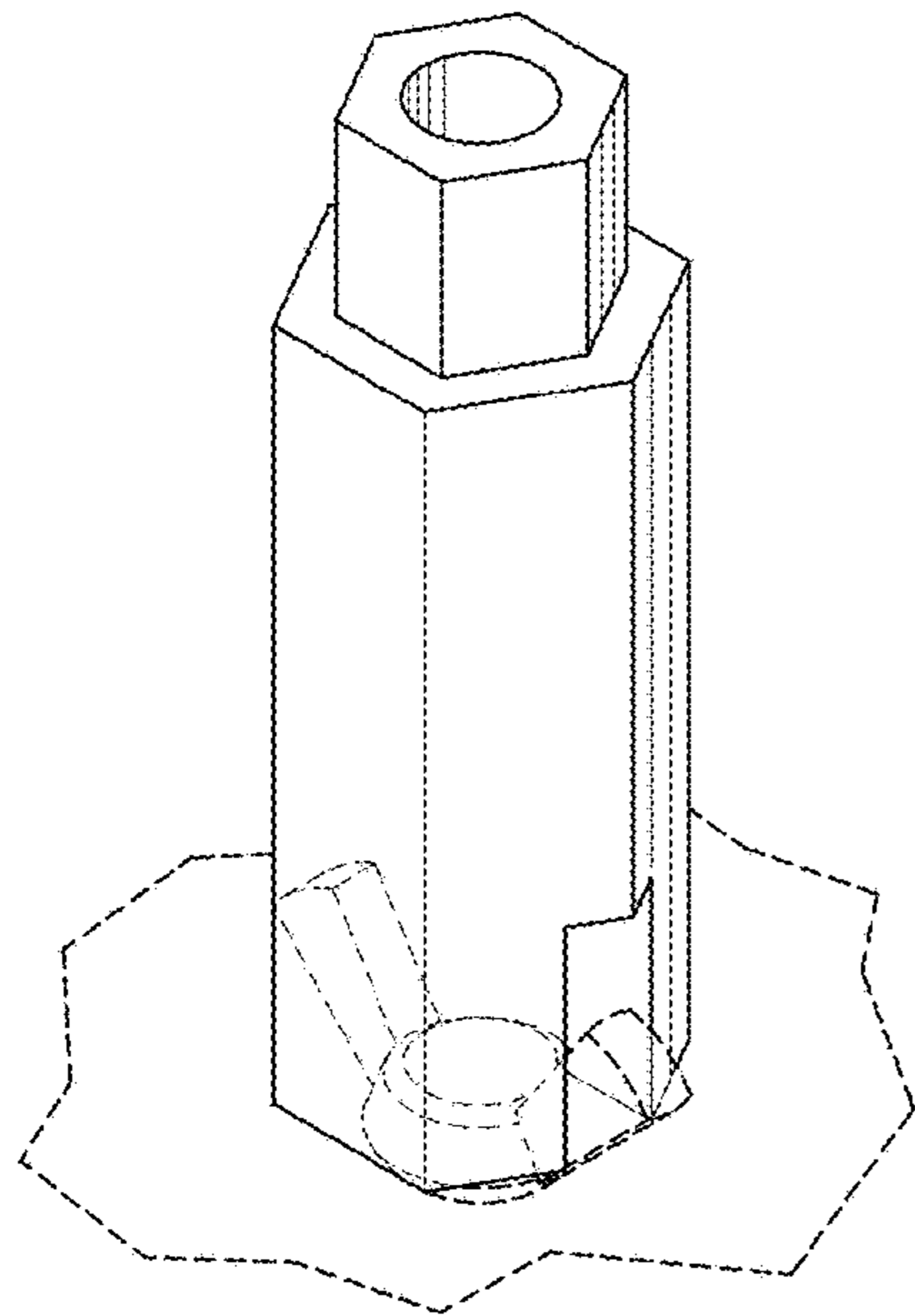


Fig. 9

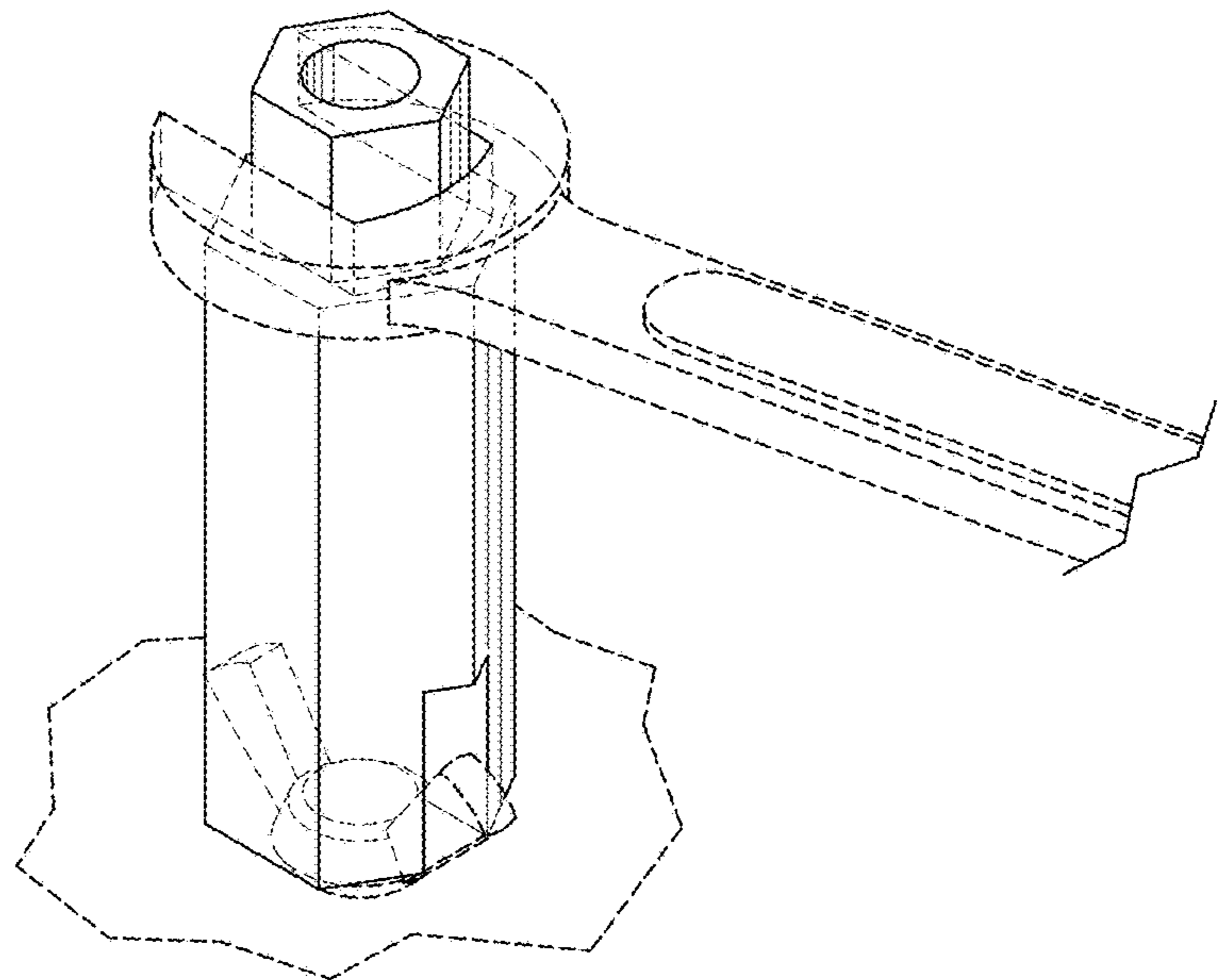


Fig. 10