



US00D885859S

(12) **United States Design Patent**
Ishibashi et al.

(10) **Patent No.:** **US D885,859 S**
(45) **Date of Patent:** **** Jun. 2, 2020**

(54) **WRENCH**

(71) Applicant: **FUJIKIN INCORPORATED**, Osaka
(JP)

(72) Inventors: **Keisuke Ishibashi**, Osaka (JP);
Yoshinori Shimomura, Osaka (JP);
Hirokatsu Maeda, Osaka (JP);
Tadayuki Yakushijin, Osaka (JP)

(73) Assignee: **FUJIKIN INCORPORATED**,
Osaka-Shi (JP)

(**) Term: **15 Years**

(21) Appl. No.: **35/506,346**

(22) Filed: **Jul. 23, 2018**

(80) **Hague Agreement Data**

Int. Filing Date: **Jul. 23, 2018**

Int. Reg. No.: **DM/102877**

Int. Reg. Date: **Jul. 23, 2018**

Int. Reg. Pub. Date: **Jan. 25, 2019**

(30) **Foreign Application Priority Data**

Feb. 14, 2018 (JP) 2018-002978

(51) **LOC (12) Cl.** **08-05**

(52) **U.S. Cl.**
USPC **D8/17**

(58) **Field of Classification Search**

USPC D8/17, 22, 24, 21

CPC ... B25B 13/50; B25B 13/488; B25B 13/5008;
Y10T 29/53552; Y10T 137/7747

See application file for complete search history.

(56) **References Cited**

U.S. PATENT DOCUMENTS

D296,512 S * 7/1988 Robblee D8/21

D386,656 S * 11/1997 Kyser D8/21

D488,967 S * 4/2004 Hsien D8/21

D525,493 S * 7/2006 Hsieh D8/21
D737,640 S * 9/2015 Manwaring D8/17
D742,706 S * 11/2015 Sui D8/17
D752,715 S * 3/2016 Yakushijin D23/233
D760,044 S * 6/2016 Yang D8/21

(Continued)

Primary Examiner — Eliza Z Bennett-Hattan

(74) *Attorney, Agent, or Firm* — Mori & Ward, LLP

(57) **CLAIM**

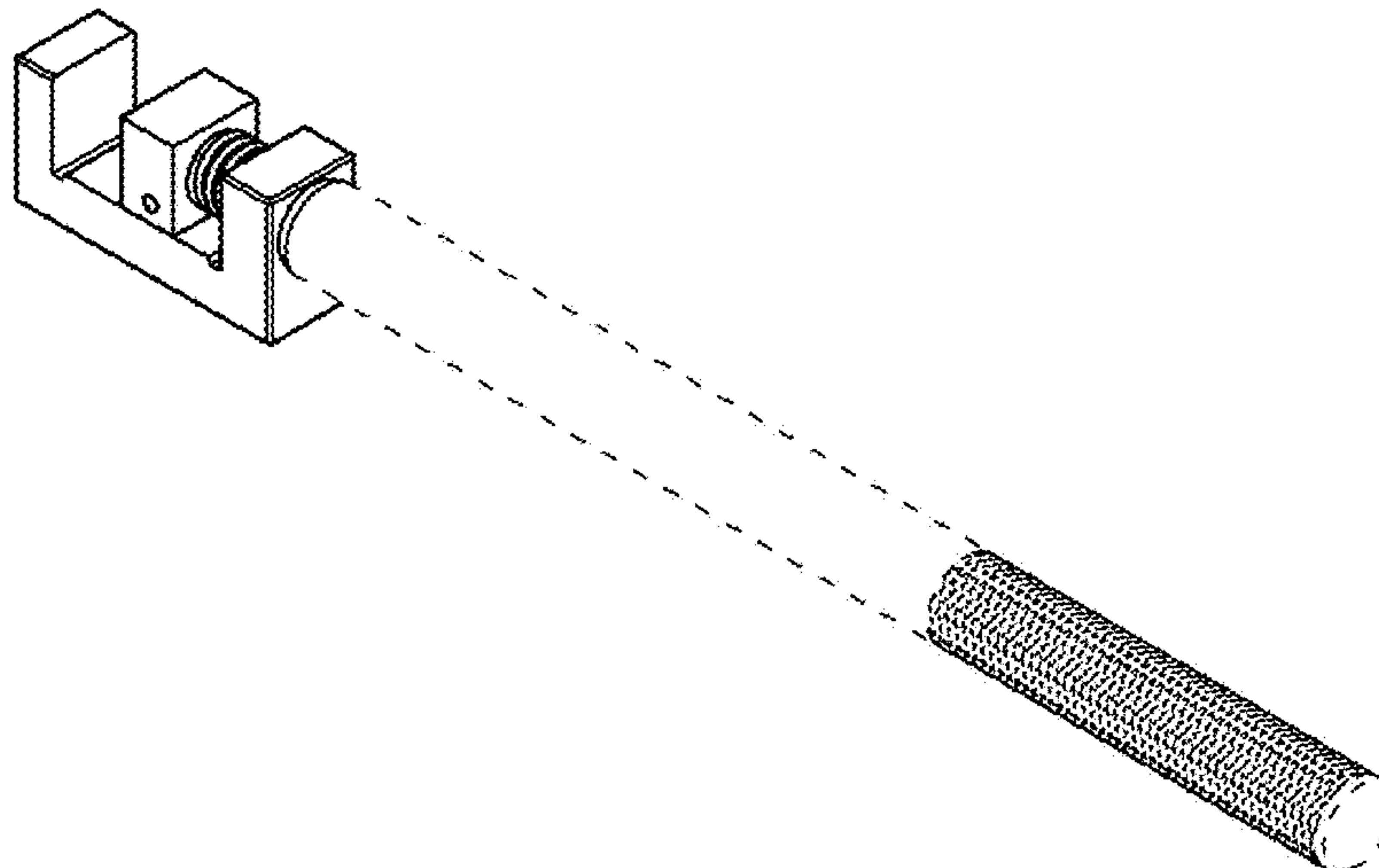
The ornamental design for a wrench, as shown and described.

DESCRIPTION

- 1. Wrench
- 1.1 : Perspective
- 1.2 : Front
- 1.3 : Back
- 1.4 : Right
- 1.5 : Left
- 1.6 : Top
- 1.7 : Bottom
- 1.8 : Cross-sectional
- 1.9 : Enlarged
- 1.10 : Reference

This article is a wrench used for holding the body, for example, when the fitting is fastened and fixed to the body of a valve, and the distance between the movable jaw and fixed jaw can be changed by rotating the handle (see reference view of the reproduction 1.10); all parts shown in the dotted lines in reproductions 1.1-1.4, 1.6-1.8, and 1.10 form no part of the claimed design; the entire righthand portion in reproductions 1.2, 1.6-1.8, and 1.10 outlined with dotted lines forms no part of the claimed design; the entire lefthand portion in reproduction 1.3 outlined with dotted lines forms no part of the claimed design; the reproduction 1.8 is a cross-sectional bottom view cut horizontally at the center of the reproduction 1.7; the reproduction 1.9 is an enlarged view of left side portion of the reproduction 1.2; the reproduction 1.10 is a reference view showing a state in use of this article.

1 Claim, 10 Drawing Sheets



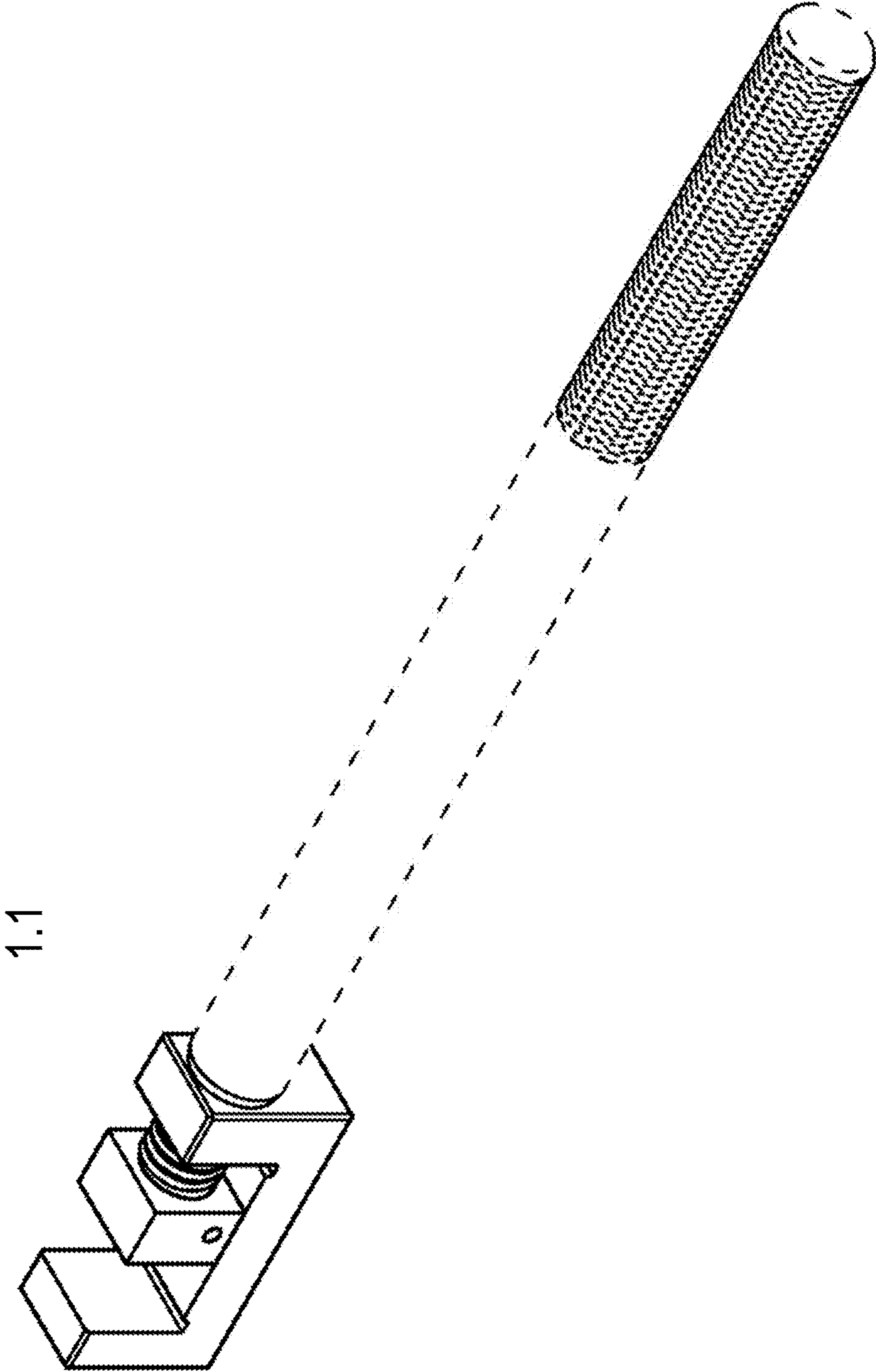
(56)

References Cited

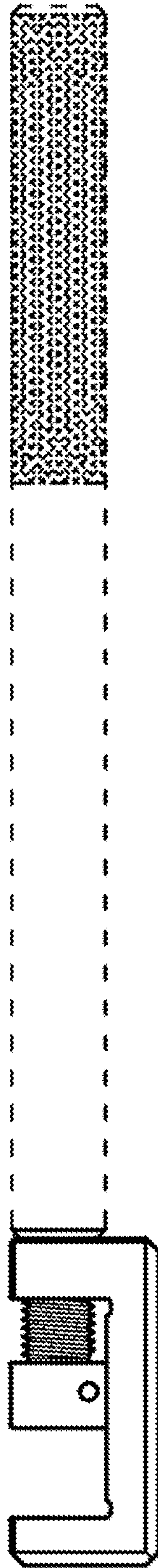
U.S. PATENT DOCUMENTS

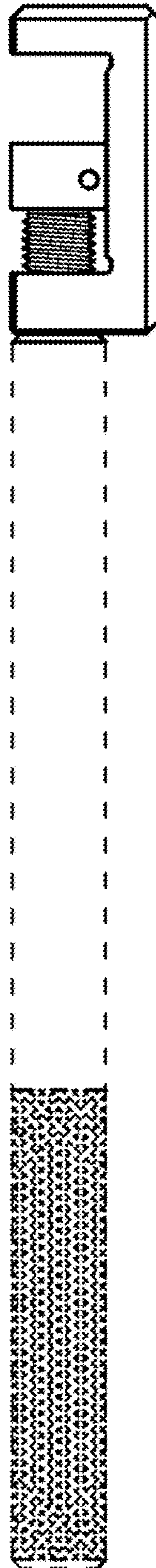
D771,452 S	*	11/2016	Scott	D8/21
D780,544 S	*	3/2017	Kim	D8/21
D799,921 S	*	10/2017	Herrick	D8/21
D837,619 S	*	1/2019	George	D8/14
D841,418 S	*	2/2019	Kidd	D8/21

* cited by examiner



1.2





1.3

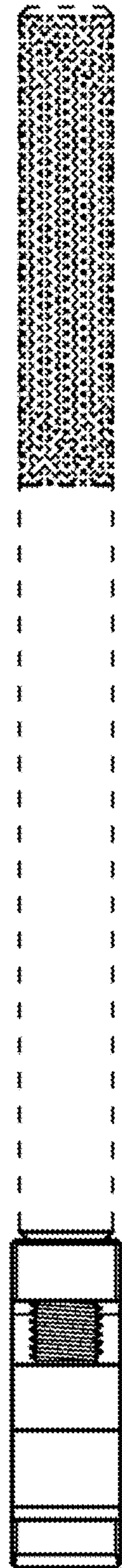
1.4



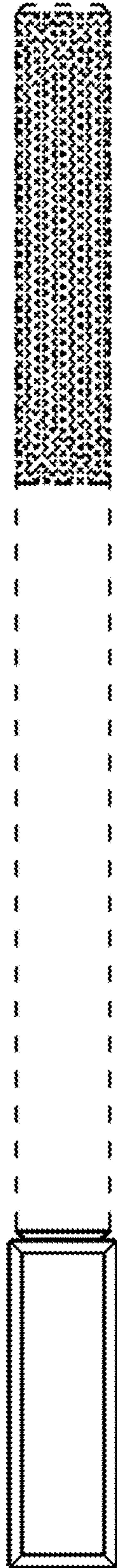
1.5



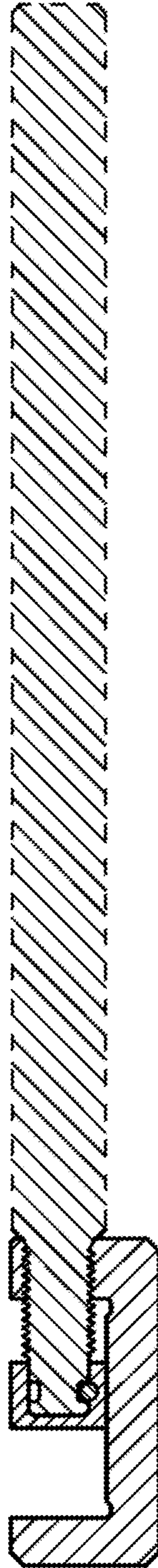
1.6



1.7



1.8



1.9

