



US00D885858S

(12) **United States Design Patent**
Wittman

(10) **Patent No.:** **US D885,858 S**
(45) **Date of Patent:** **** Jun. 2, 2020**

- (54) **GOPHER BASKET GARDEN BED**
- (71) Applicant: **Thomas Wittman**, Santa Cruz, CA (US)
- (72) Inventor: **Thomas Wittman**, Santa Cruz, CA (US)
- (**) Term: **15 Years**
- (21) Appl. No.: **29/659,377**
- (22) Filed: **Aug. 8, 2018**
- (51) **LOC (12) Cl.** **08-01**
- (52) **U.S. Cl.**
USPC **D8/1; D11/155**
- (58) **Field of Classification Search**
USPC D8/1; D11/143, 155; D3/304, 306;
D22/136; D19/75, 86
CPC A01G 13/0237; B65D 7/20
See application file for complete search history.

- D485,329 S * 1/2004 Haws D22/136
 - D512,223 S * 12/2005 Snell D3/304
 - D518,551 S * 4/2006 Moren D22/136
 - D551,455 S * 9/2007 Norvell D3/306
- (Continued)

OTHER PUBLICATIONS

Gophers Limited, Gopher Basket Garden Bed, 2019, <https://gopherslimited.com/products/gopher-basket-garden-bed/> (Year: 2019).*

Primary Examiner — Sheryl Lane

(57) **CLAIM**

The ornamental design for a gopher basket garden bed, as shown and described.

DESCRIPTION

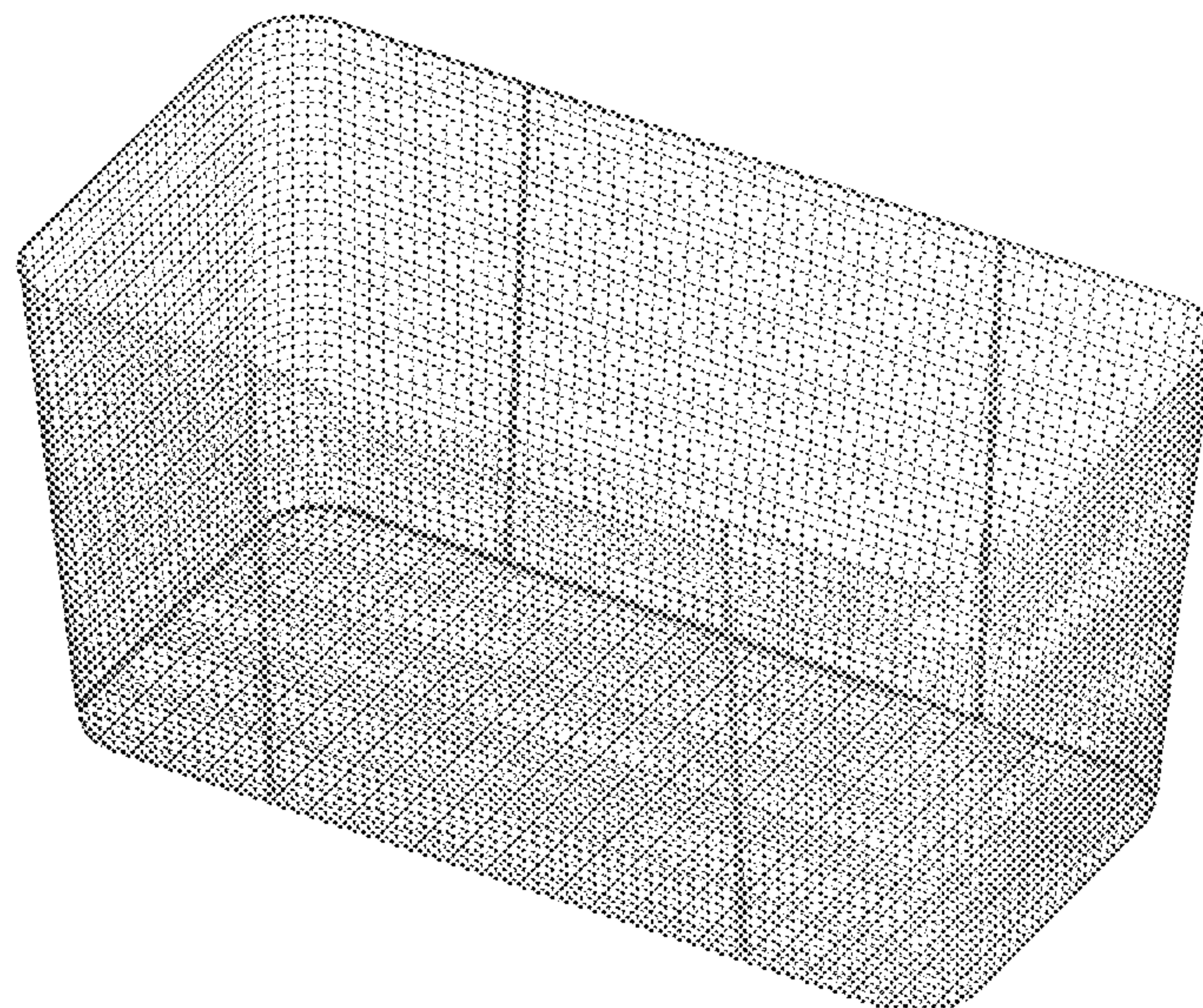
FIG. 1 is a top perspective view of a gopher basket garden bed showing my new design;
 FIG. 2 is a bottom perspective view thereof;
 FIG. 3 is a front elevated view thereof;
 FIG. 4 is a back elevated view thereof;
 FIG. 5 is a top plan view thereof;
 FIG. 6 is a bottom plan view thereof;
 FIG. 7 is a left elevated view thereof;
 FIG. 8 is a right elevated view thereof;
 FIG. 9 is a vertical cross-sectional view thereof taken along line 9-9 of FIG. 4;
 FIG. 10 is a magnified view of a top corner of the gopher wire basket of FIG. 9;
 FIG. 11 is a magnified view of a bottom corner of the gopher wire basket of FIG. 9;
 FIG. 12 is a vertical cross-sectional view thereof taken along line 12-12 of FIG. 8;
 FIG. 13 is a magnified view of a top corner of the gopher wire basket of FIG. 12; and,
 FIG. 14 is a magnified view of a bottom corner of the gopher wire basket of FIG. 12.

1 Claim, 14 Drawing Sheets

(56) **References Cited**

U.S. PATENT DOCUMENTS

- 1,384,755 A * 7/1921 Hall B42F 7/00
220/485
- 1,445,259 A * 2/1923 Wiselogel B65D 7/20
220/491
- D161,816 S * 2/1951 Blakeslee D22/121
- 2,825,481 A * 3/1958 Glenny B65D 7/20
220/492
- 4,843,756 A * 7/1989 Wyman A01K 69/06
43/102
- 5,357,708 A * 10/1994 Peters A01K 69/06
43/100
- D383,283 S * 9/1997 Hankins, III D3/306
- D416,165 S * 11/1999 Zemel D7/354
- 5,992,306 A * 11/1999 Chiang A47J 37/1295
210/464
- D444,628 S * 7/2001 Schwarz D23/209
- D449,074 S * 10/2001 Andujar D19/75
- D453,027 S * 1/2002 Andujar D19/90
- D484,666 S * 12/2003 Caya D3/304



(56)

References Cited

U.S. PATENT DOCUMENTS

D579,660	S	*	11/2008	Snider	D3/304
D579,700	S	*	11/2008	Ghiorghie	D6/513
D584,055	S	*	1/2009	Hardy	D3/306
D586,558	S	*	2/2009	Ziemann	D3/304
D604,079	S	*	11/2009	Mitchell	D6/552
D677,056	S	*	3/2013	Hu	D3/306
D683,963	S	*	6/2013	Tsai	D3/304
D696,016	S	*	12/2013	Tsai	D3/306
D698,617	S	*	2/2014	Evans	D11/152
D702,084	S	*	4/2014	Matos	D7/409
D707,505	S	*	6/2014	Woodard	D8/1
D724,667	S	*	3/2015	Hu	D19/90
D736,014	S	*	8/2015	Tsai	D6/675.2
D775,467	S	*	1/2017	Nilsson	D3/306
D784,700	S	*	4/2017	Goodman	D3/306
9,630,750	B2	*	4/2017	Gardner	B65D 25/28
D792,099	S	*	7/2017	Hsu	D3/306
D793,087	S	*	8/2017	Goodman	D3/306
D799,827	S	*	10/2017	Greenblatt	D3/306
D804,821	S	*	12/2017	Hardy	D3/306
D808,654	S	*	1/2018	Lee	D3/306
D808,742	S	*	1/2018	Lee	D7/637
D823,648	S	*	7/2018	Goodman	D7/631
D825,113	S	*	8/2018	Langenwalter	D30/114
D825,266	S	*	8/2018	Iorio	D7/409
D825,268	S	*	8/2018	Iorio	D7/409
D844,989	S	*	4/2019	Wilson	D3/306
D854,120	S	*	7/2019	Bates, Jr.	D22/135
D855,351	S	*	8/2019	Goodman	D6/566
D859,578	S	*	9/2019	Denmark	D22/136
D862,883	S	*	10/2019	Stelmarski	D3/306

* cited by examiner

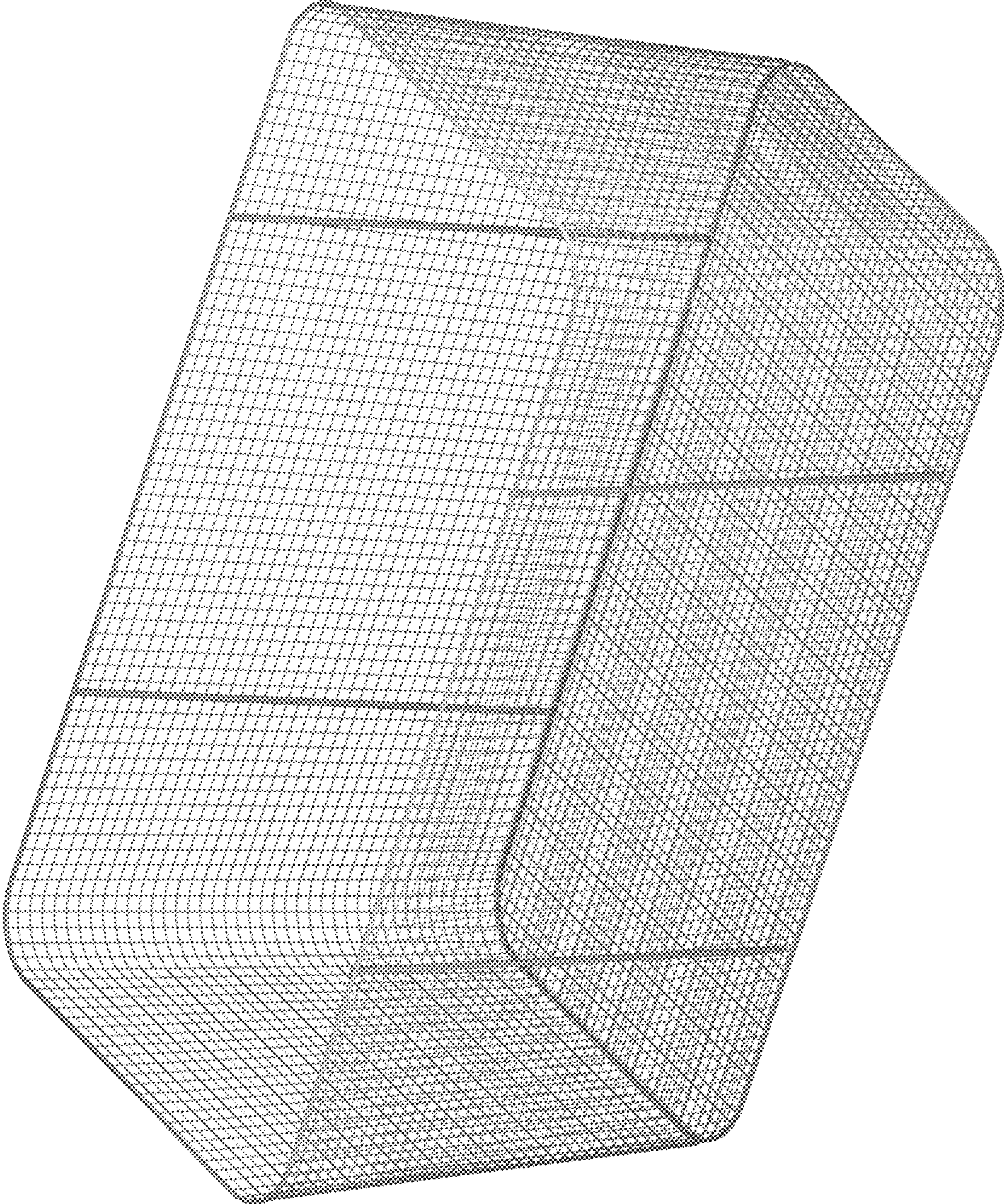


FIG. 1

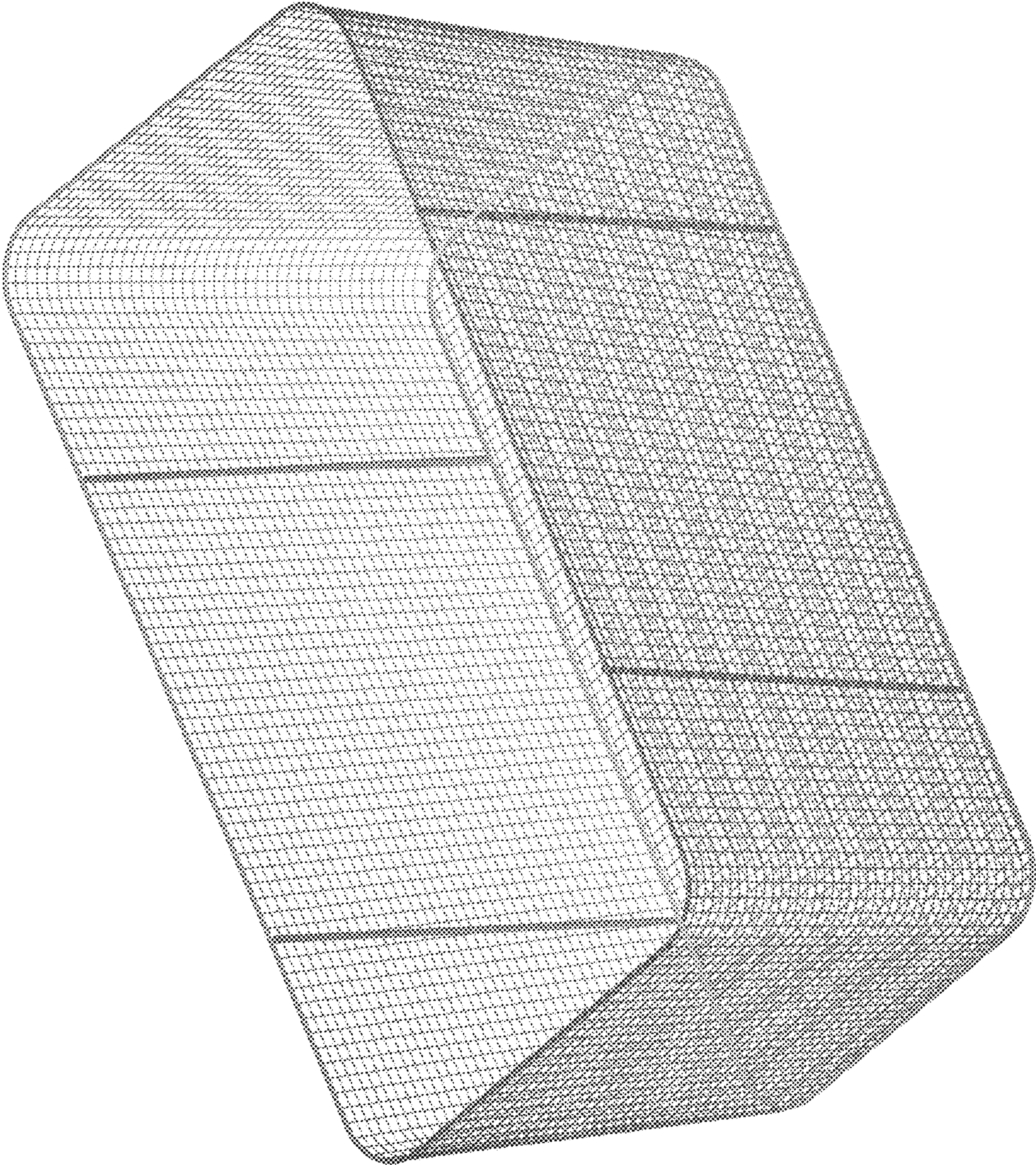


FIG. 2

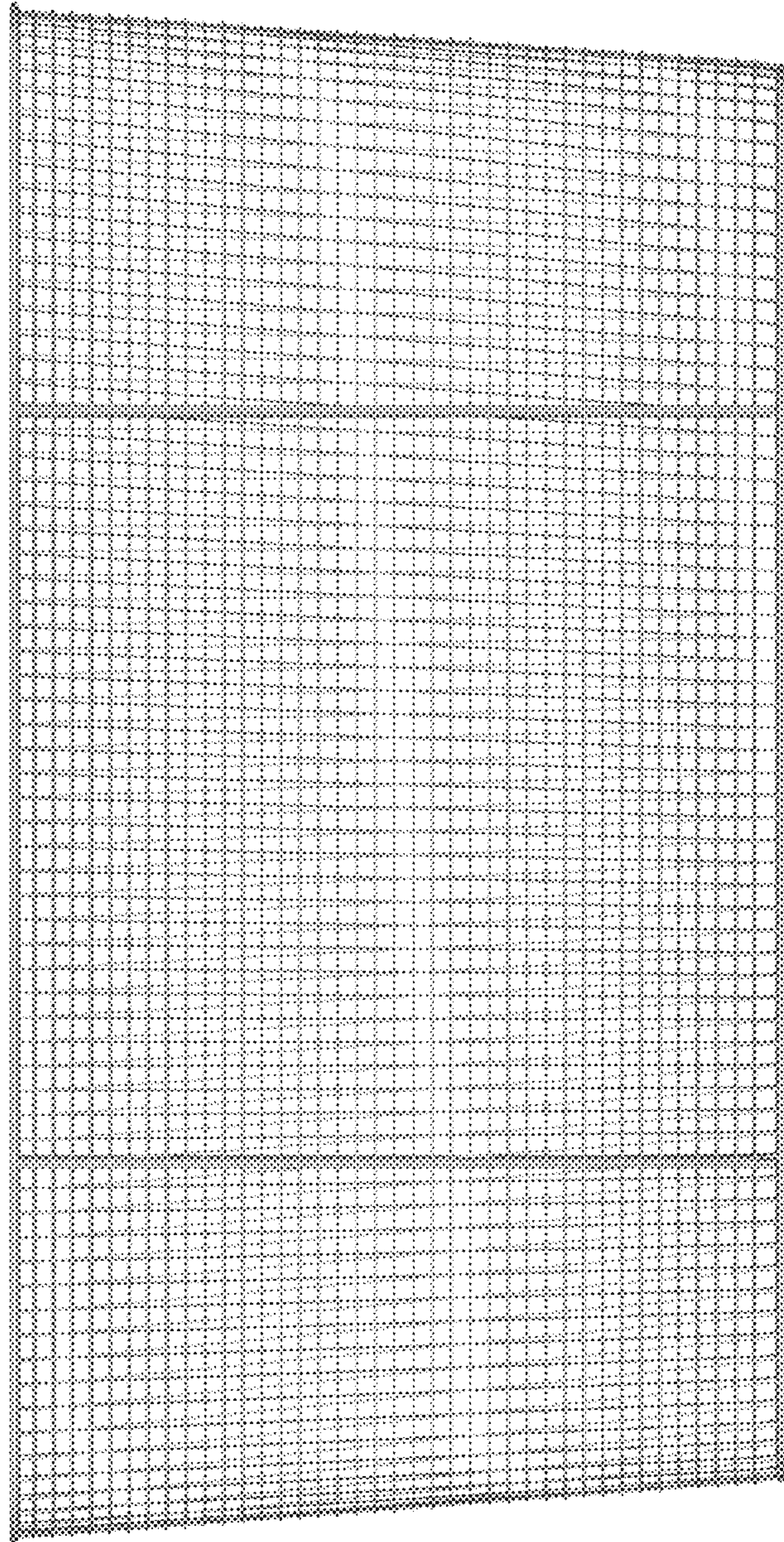


FIG. 3

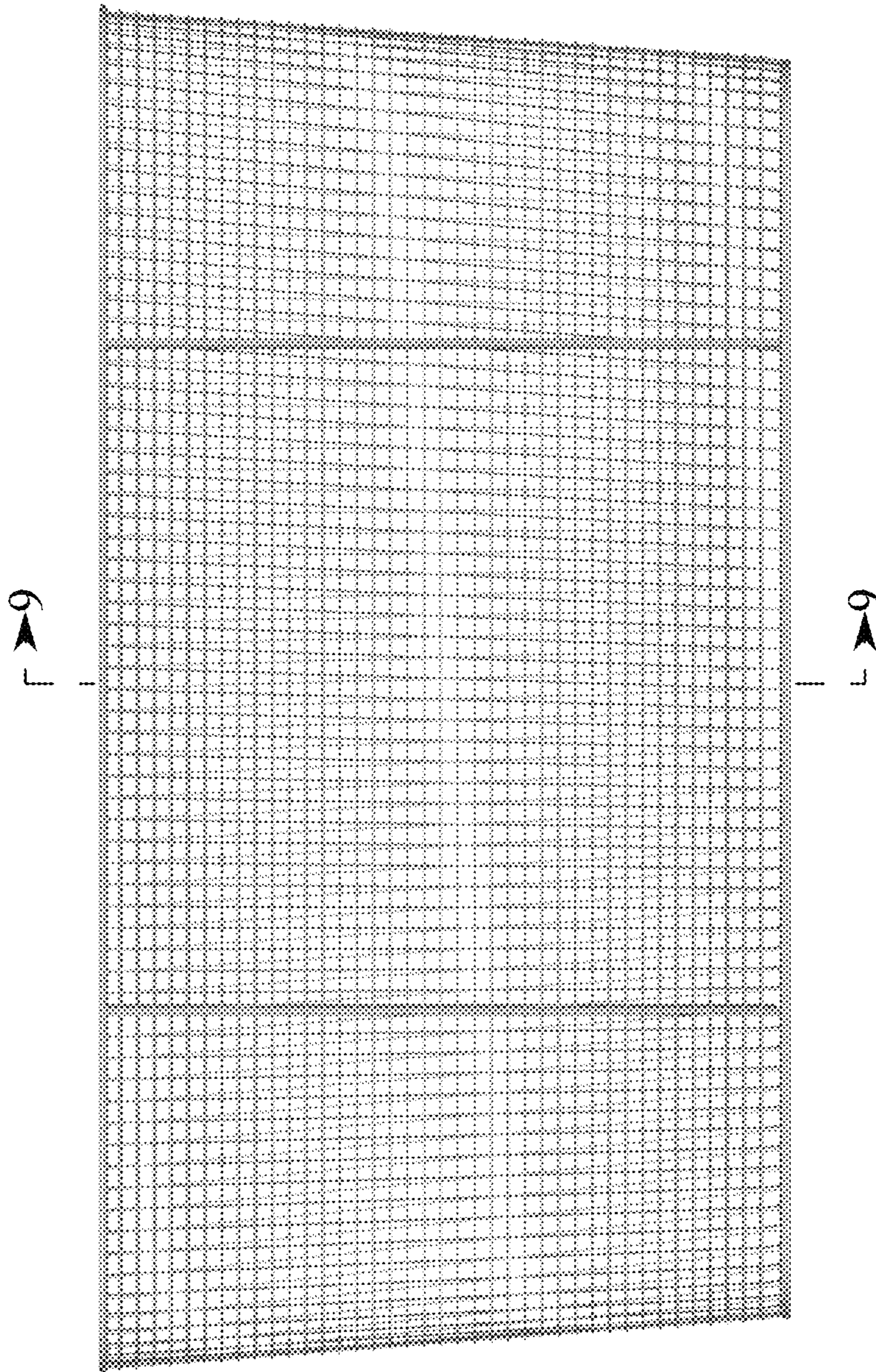


FIG. 4

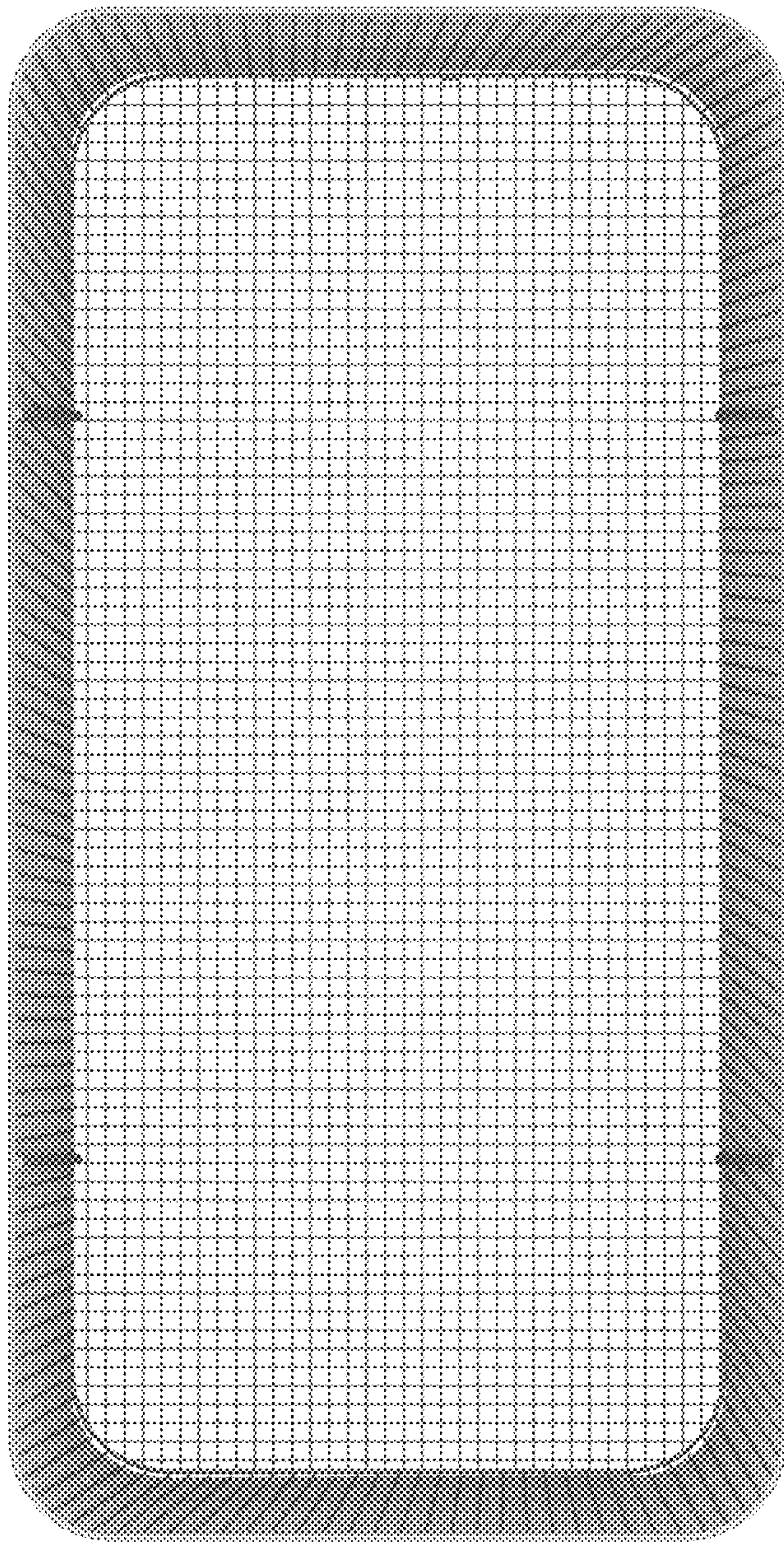


FIG. 5

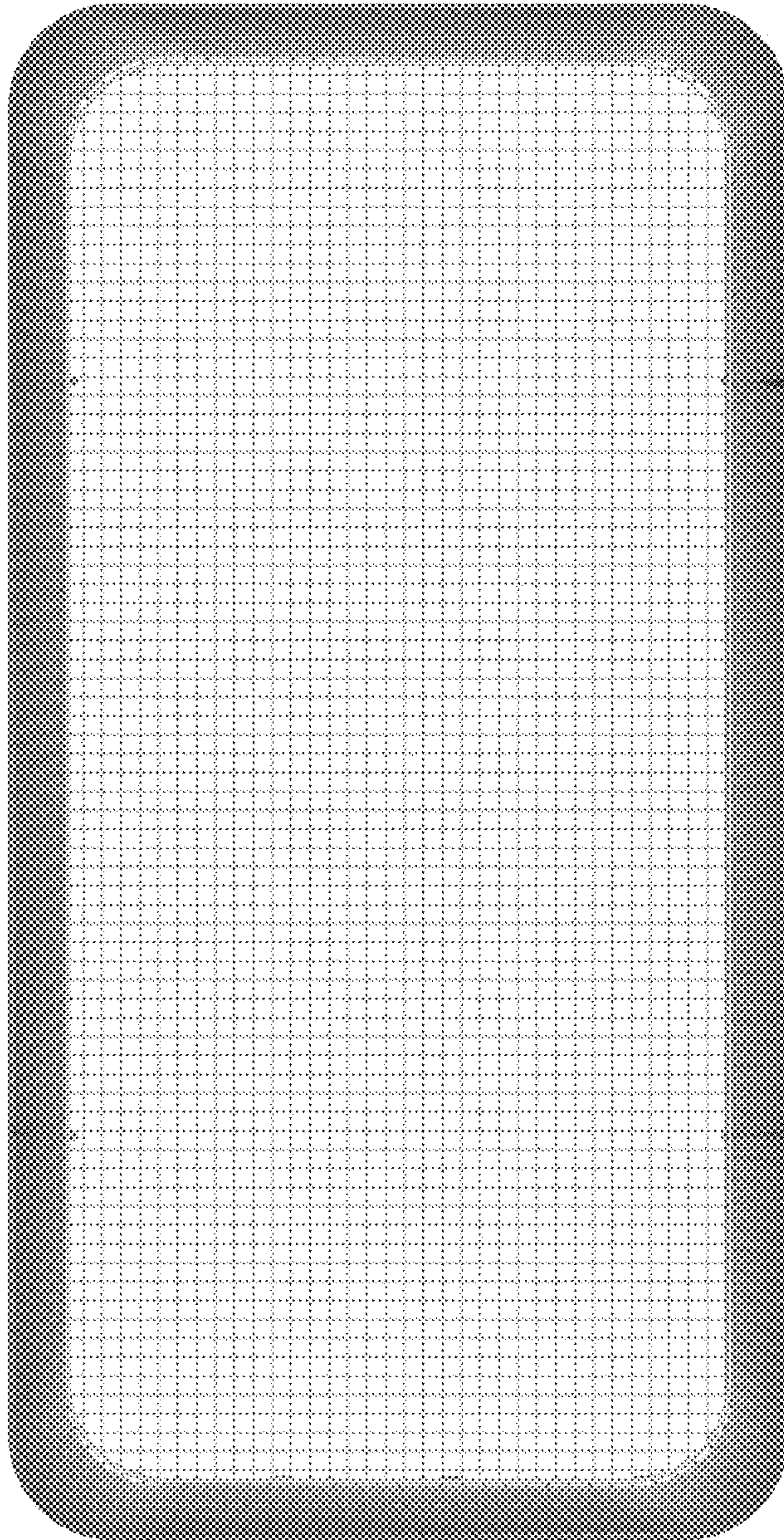


FIG. 6

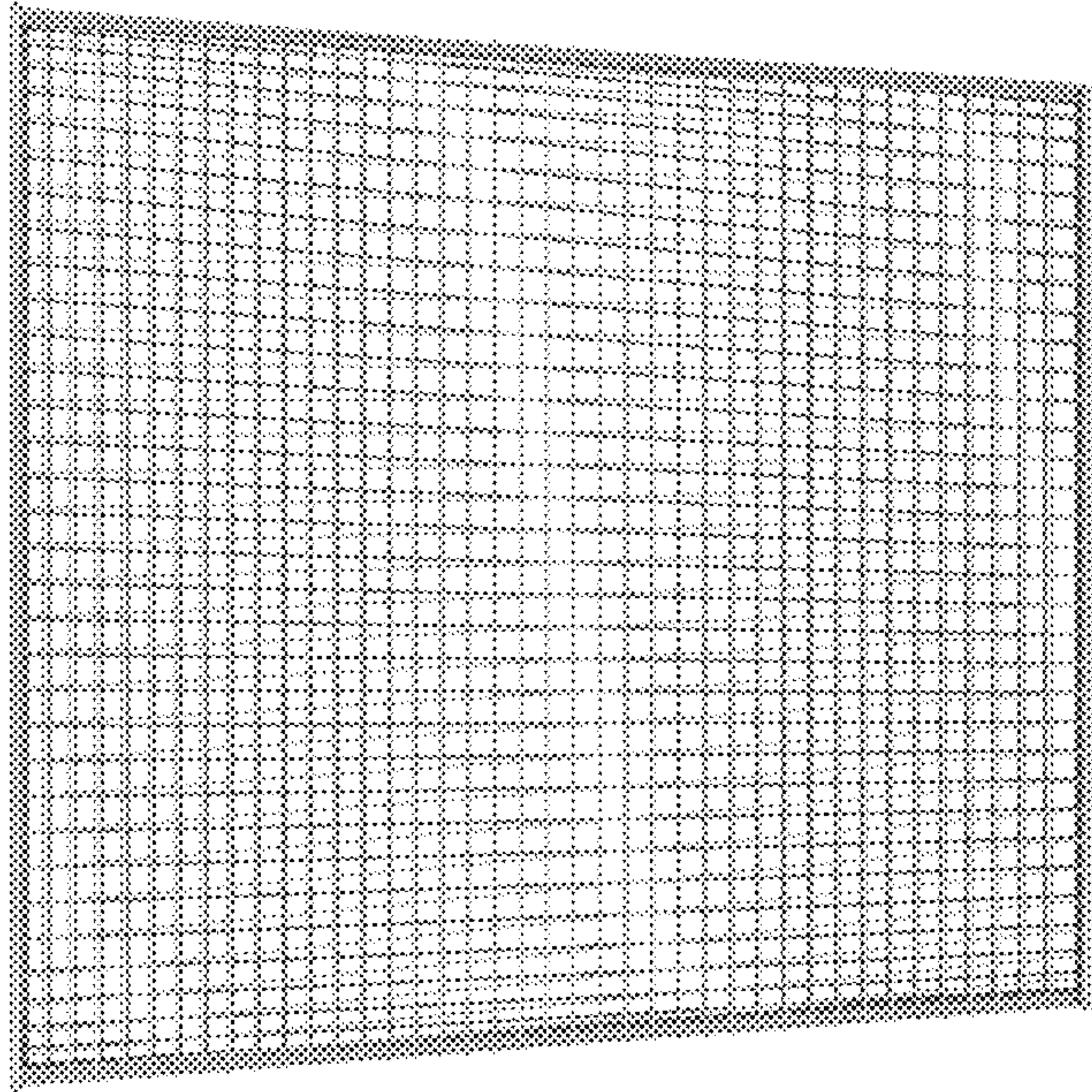


FIG. 7

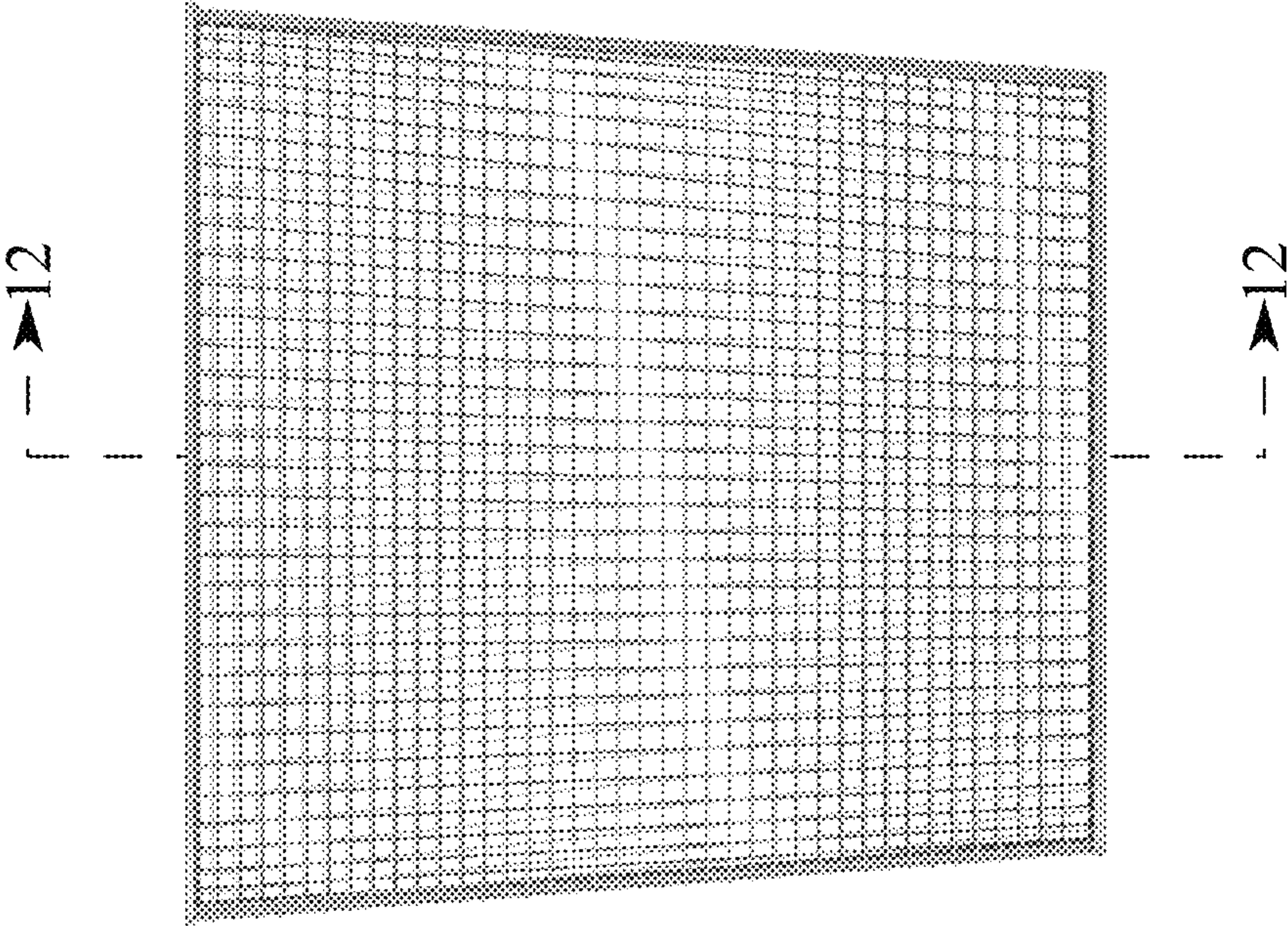


FIG. 8

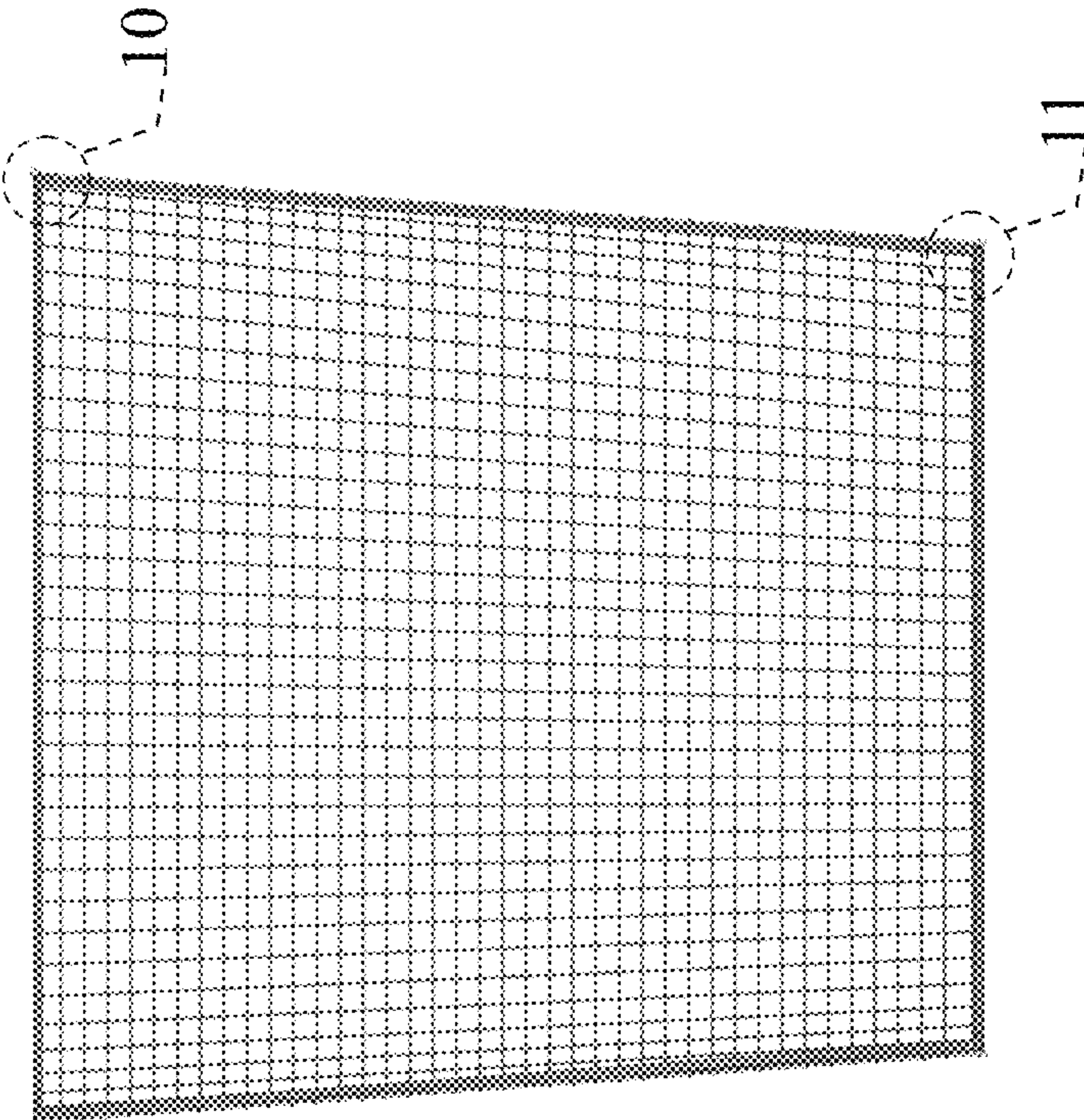


FIG. 9

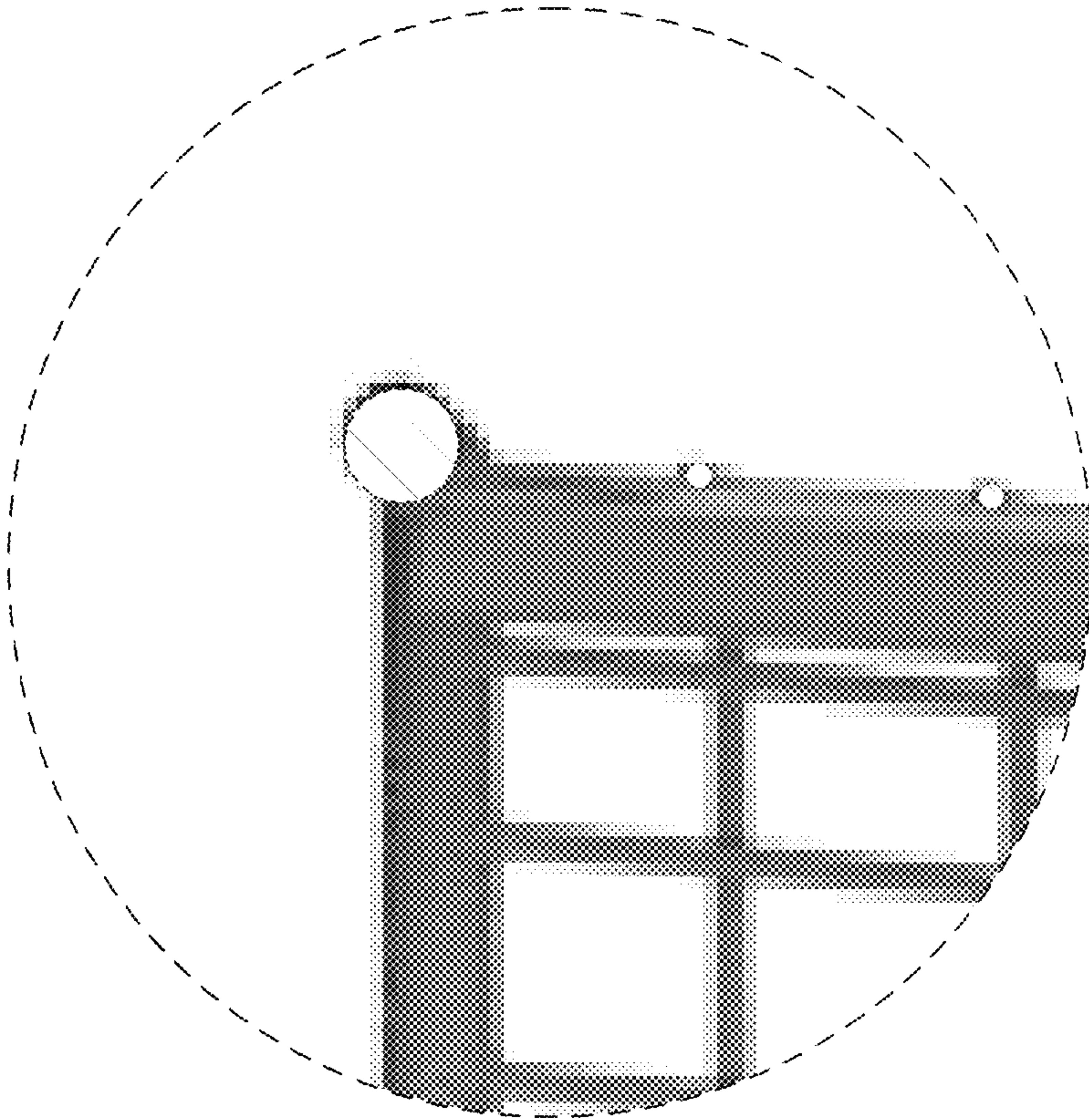


FIG. 10

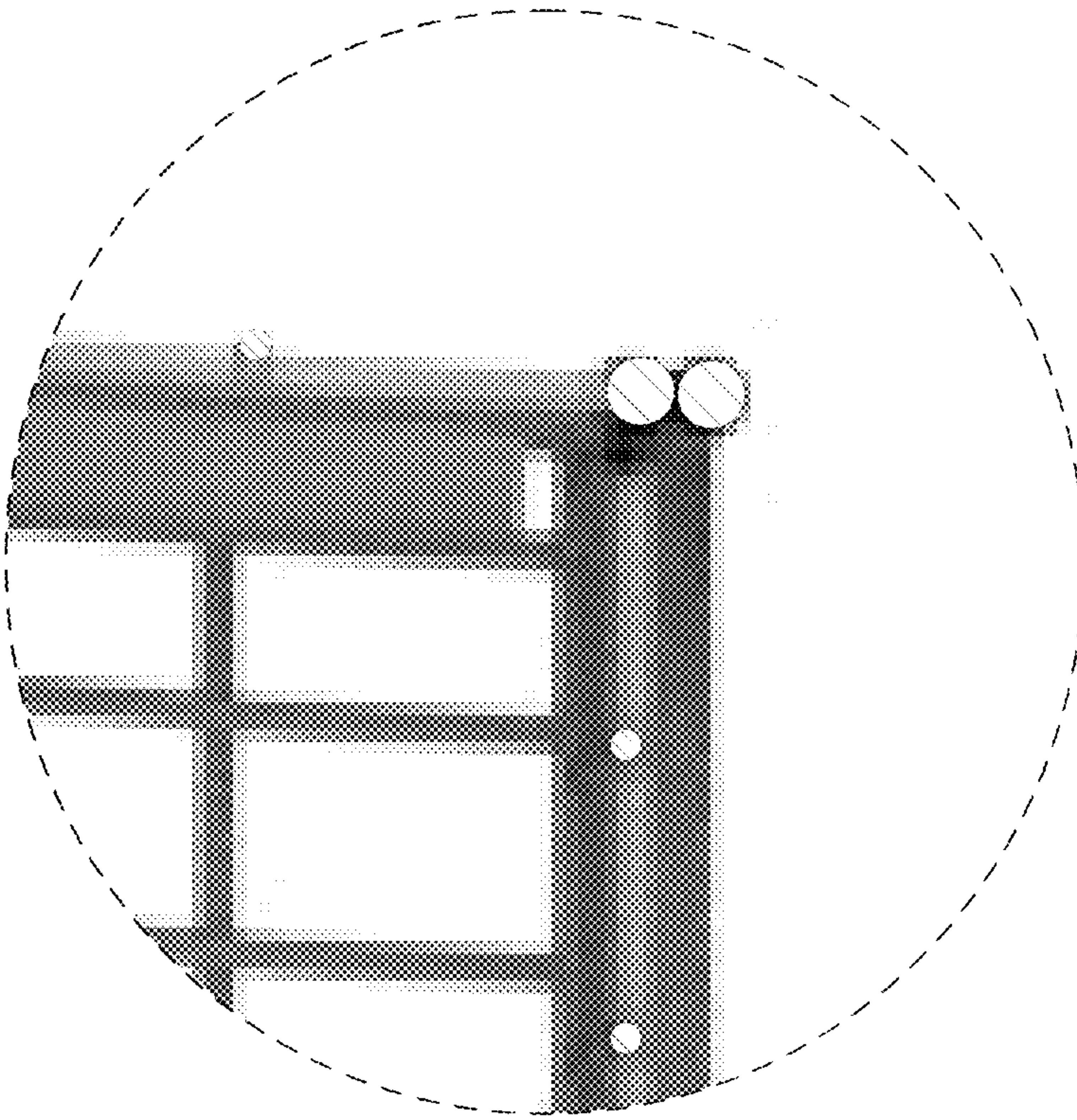


FIG. 11

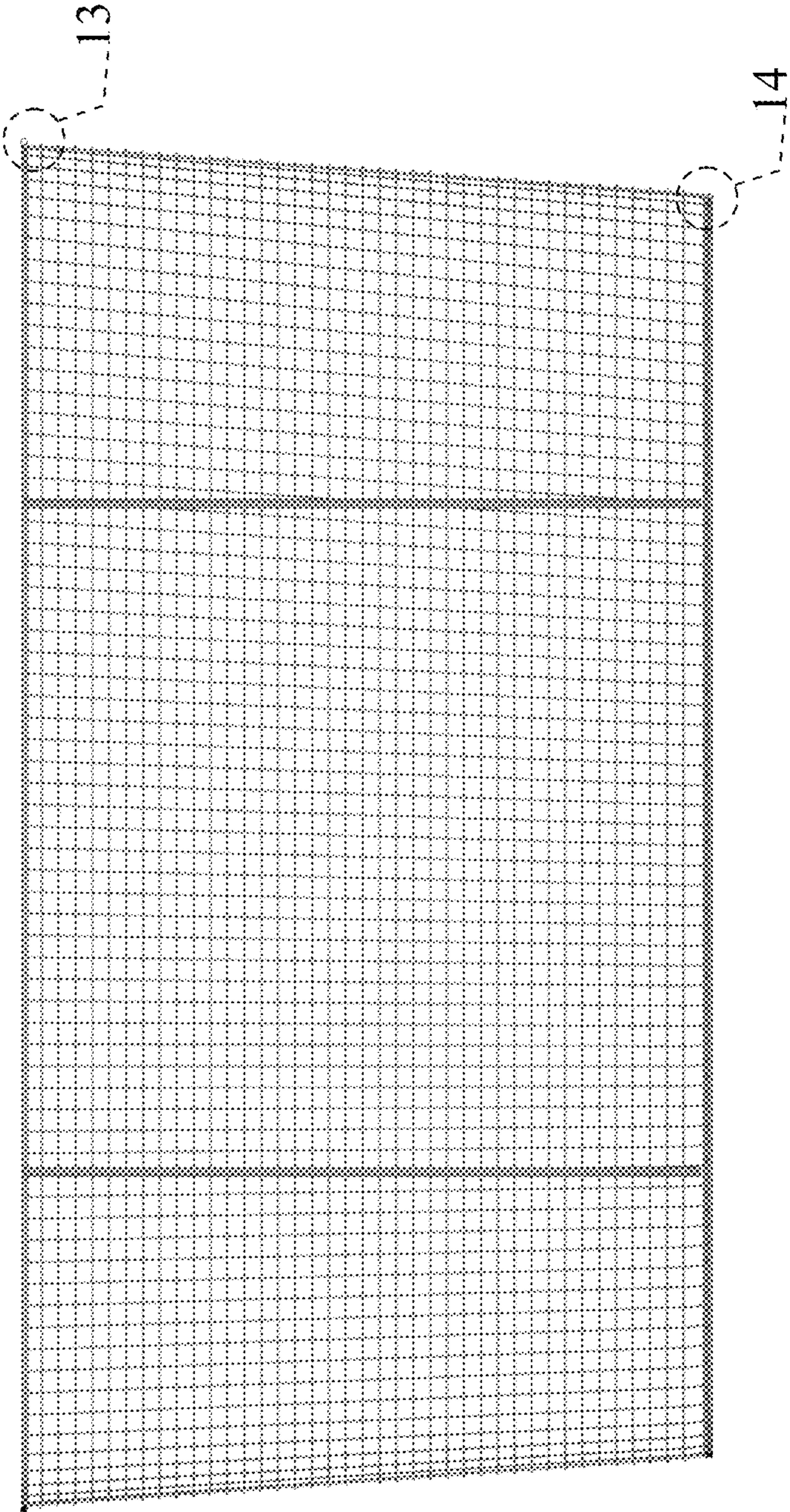


FIG. 12

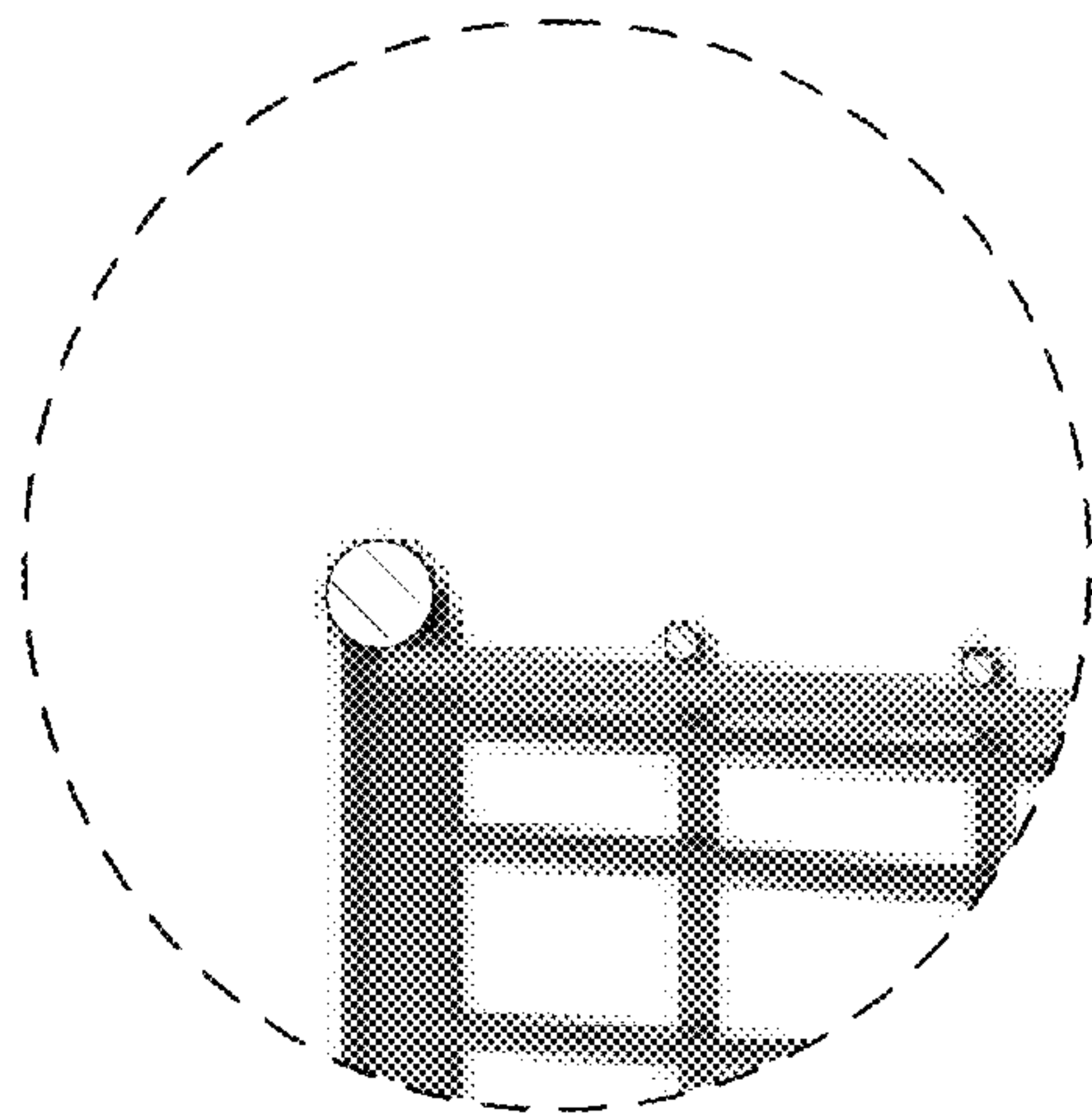


FIG. 13

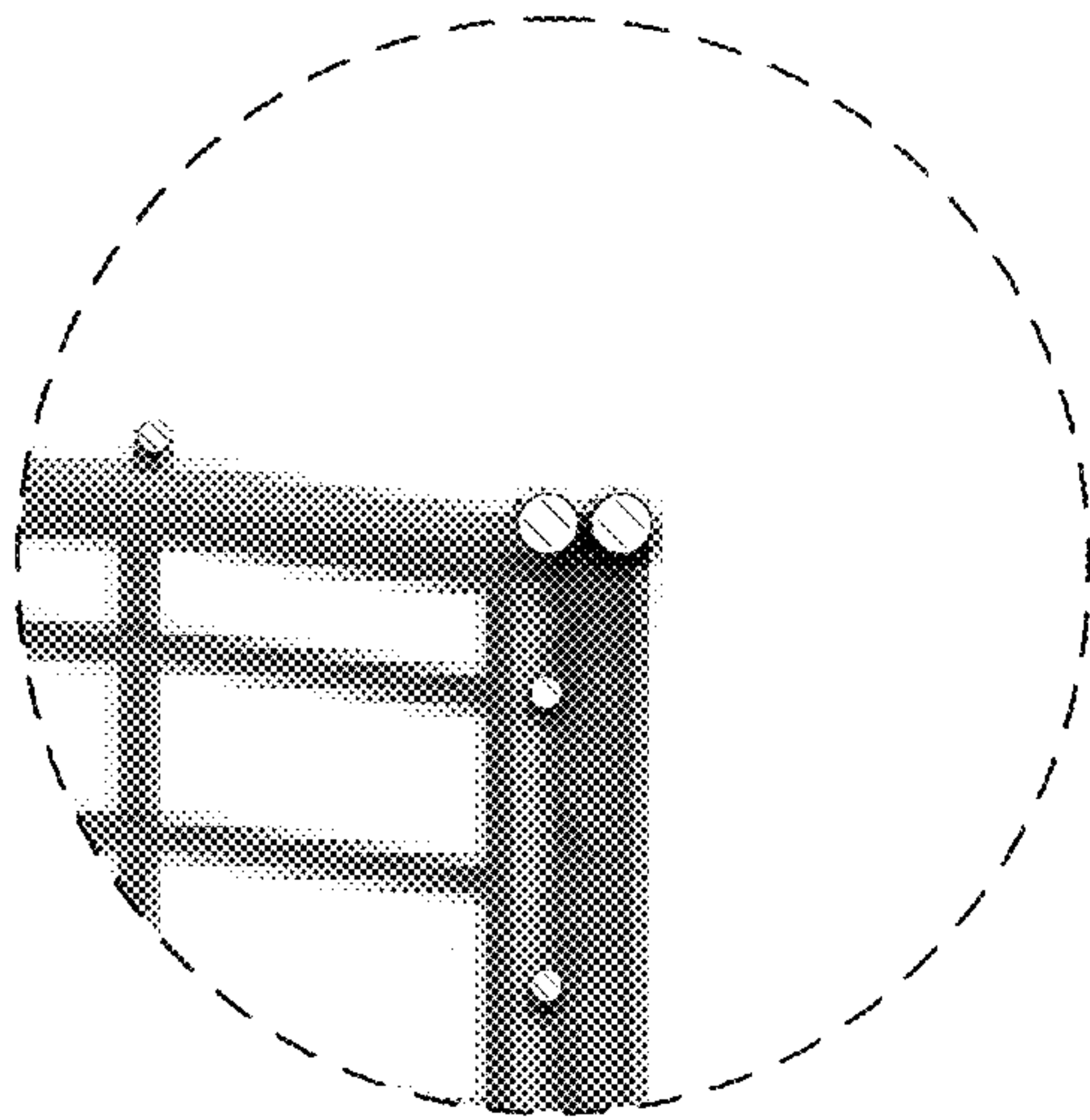


FIG. 14