



US00D885853S

(12) **United States Design Patent** (10) **Patent No.:** **US D885,853 S**  
**Lowry** (45) **Date of Patent:** **\*\* Jun. 2, 2020**

(54) **TOFU PRESS**

(71) Applicant: **Goodliving Quest, LLC**, Olathe, KS (US)

(72) Inventor: **Jake Lowry**, Olathe, KS (US)

(73) Assignee: **Goodliving Quest, LLC**, Olathe, KS (US)

(\*\*) Term: **15 Years**

(21) Appl. No.: **29/673,031**

(22) Filed: **Dec. 11, 2018**

(51) **LOC (12) Cl.** ..... **07-04**

(52) **U.S. Cl.**  
USPC ..... **D7/665; D7/667**

(58) **Field of Classification Search**  
USPC ..... D7/368, 669, 665-668  
CPC ..... A23P 30/00; A23P 30/10; A23C 20/025;  
A23C 20/005; B30B 9/00; B30B 9/06;  
G01M 3/38; A01J 25/12; A01J 25/15  
See application file for complete search history.

(56) **References Cited**

U.S. PATENT DOCUMENTS

D528,376 S \* 9/2006 Munson ..... D7/356  
D540,628 S \* 4/2007 Meyers ..... D7/665  
9,766,152 B2 \* 9/2017 Kostelc ..... G01M 3/38  
2017/0318856 A1 \* 11/2017 Kittow ..... B30B 9/06

OTHER PUBLICATIONS

Kenley Tofu Press Kit—4-Spring Extra Firm Tofu Cheese Presser Drainer, Amazon.com website.

\* cited by examiner

Primary Examiner — Terry A Wallace

(74) *Attorney, Agent, or Firm* — Erickson Kernell IP, LLC

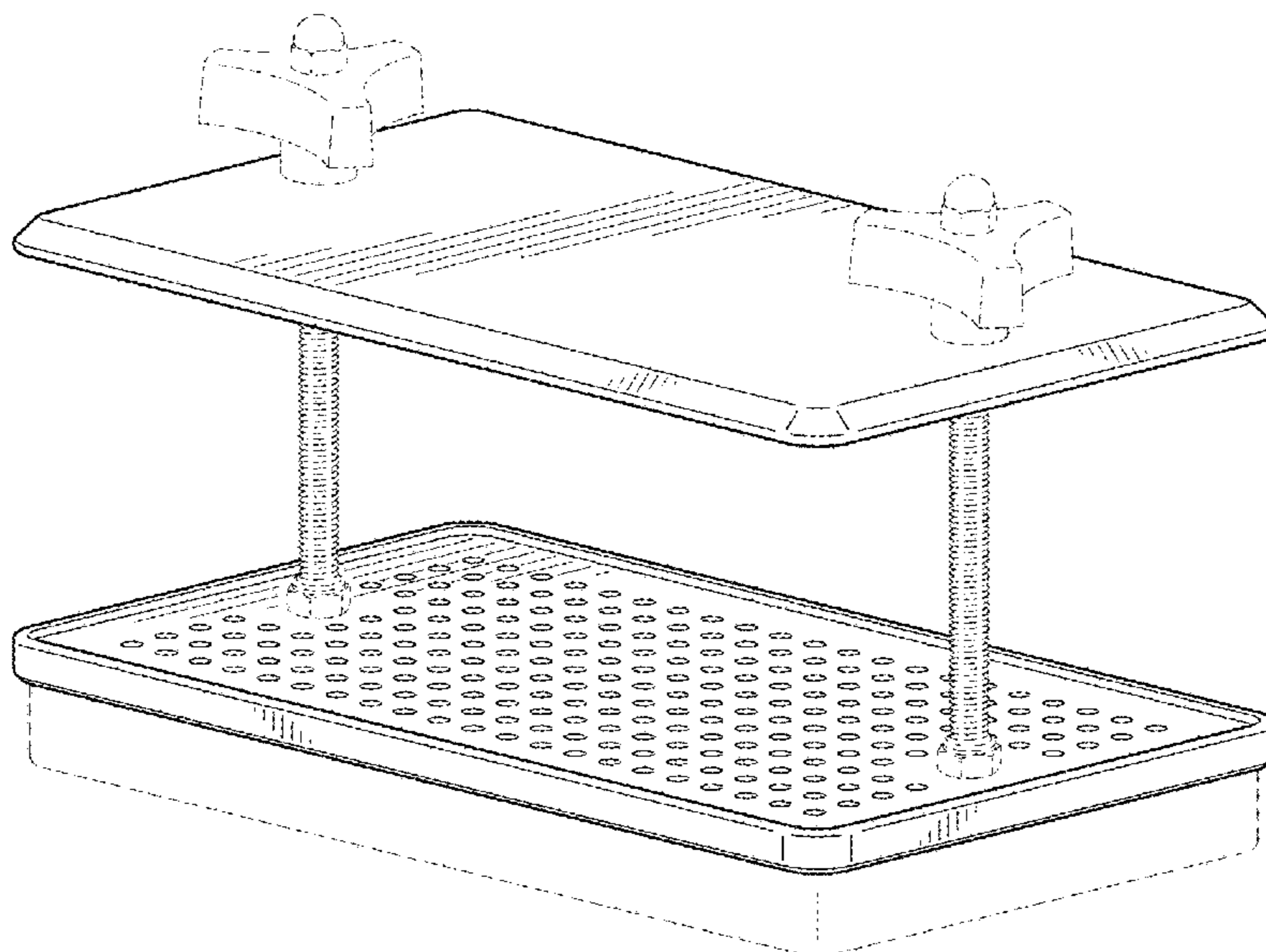
(57) **CLAIM**

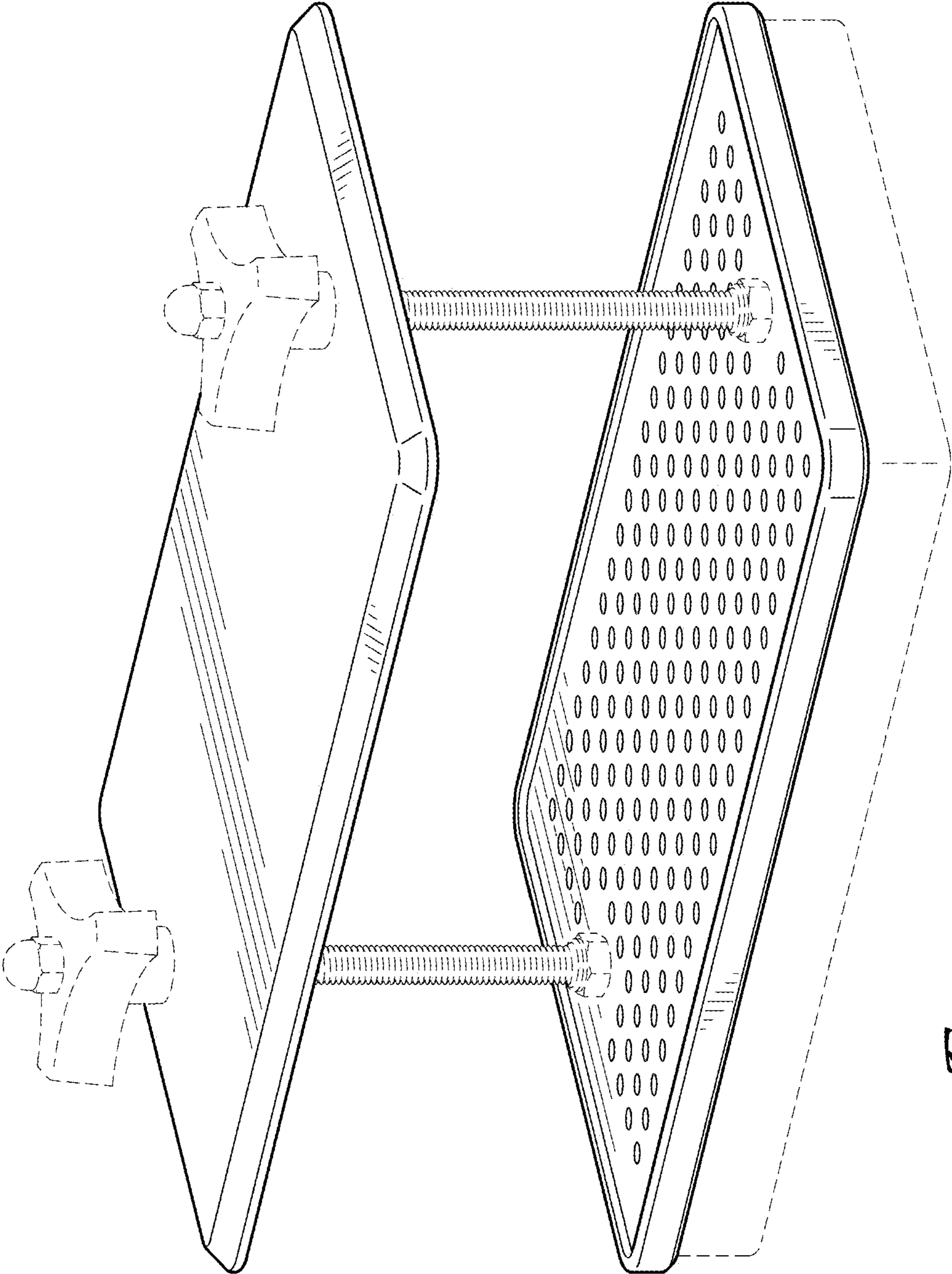
The ornamental design for a tofu press, as shown and described.

**DESCRIPTION**

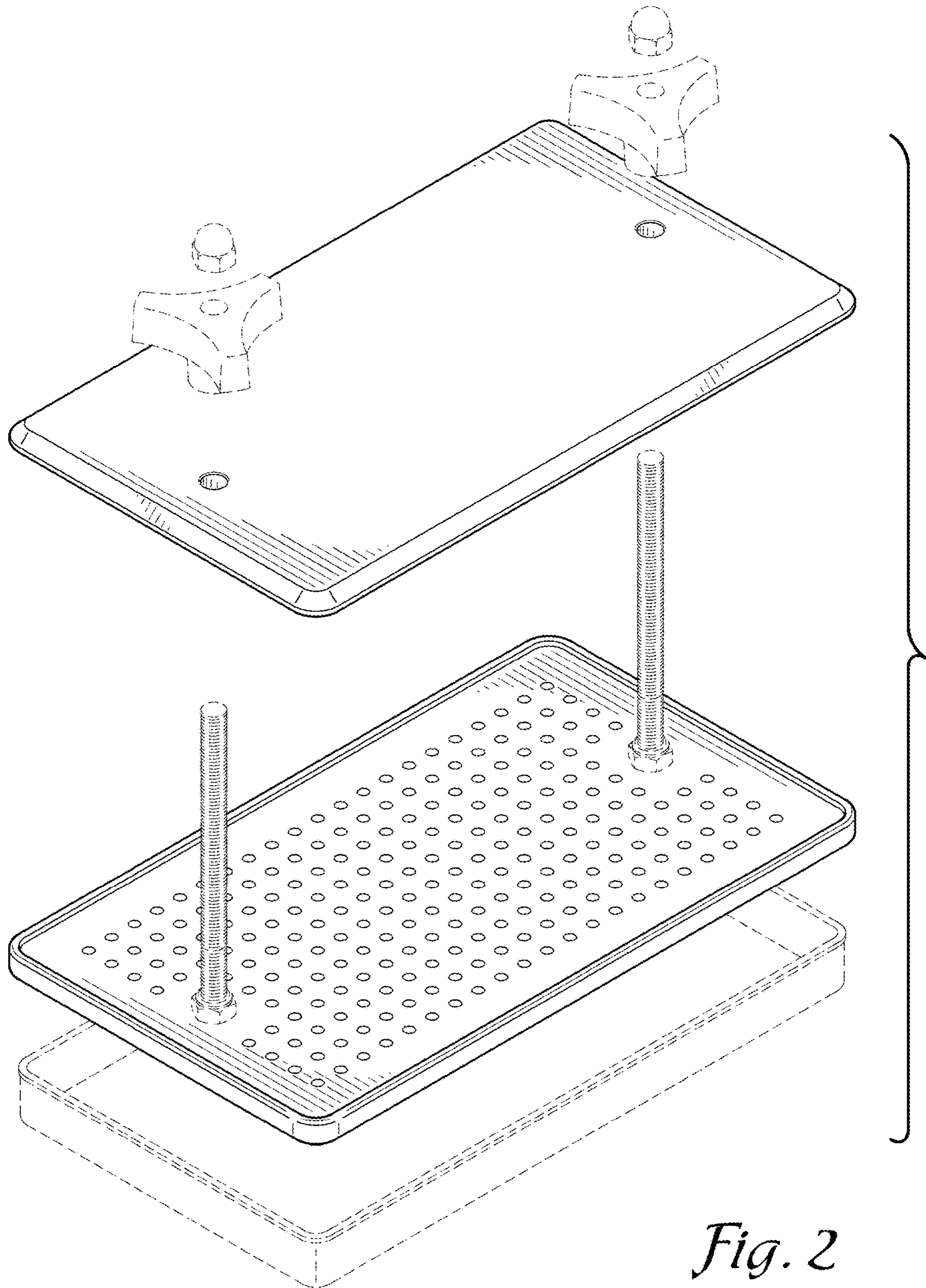
FIG. 1 is a right front perspective view of the tofu press in accordance with the present invention with the tofu press in a mostly open position;  
FIG. 2 is an exploded left front perspective view of the tofu press of FIG. 1;  
FIG. 3 is a top view of the tofu press of FIG. 1;  
FIG. 4 is a bottom view of the tofu press of FIG. 1 without a drip tray;  
FIG. 5 is a front elevation view of the tofu press of FIG. 1 without a drip tray;  
FIG. 6 is a back elevation view of the tofu press of FIG. 1 without a drip tray;  
FIG. 7 is a left side elevation view of the tofu press of FIG. 1 without a drip tray;  
FIG. 8 is a right side elevation view of the tofu press of FIG. 1 without a drip tray;  
FIG. 9 is a bottom perspective view of the tofu press of FIG. 1 without a drip tray;  
FIG. 10 is a perspective view of the tofu press in accordance with the present invention with the tofu press in a mostly closed position and without a drip tray;  
FIG. 11 is a top view of the tofu press of FIG. 10;  
FIG. 12 is a bottom view of the tofu press of FIG. 10;  
FIG. 13 is a front elevation view of the tofu press of FIG. 10;  
FIG. 14 is a back elevation view of the tofu press of FIG. 10;  
FIG. 15 is a left side elevation view of the tofu press of FIG. 10; and,  
FIG. 16 is a right side elevation view of the tofu press of FIG. 10.  
The broken lines in the drawings depict portions of the tofu press that form no part of the claimed design.

**1 Claim, 10 Drawing Sheets**

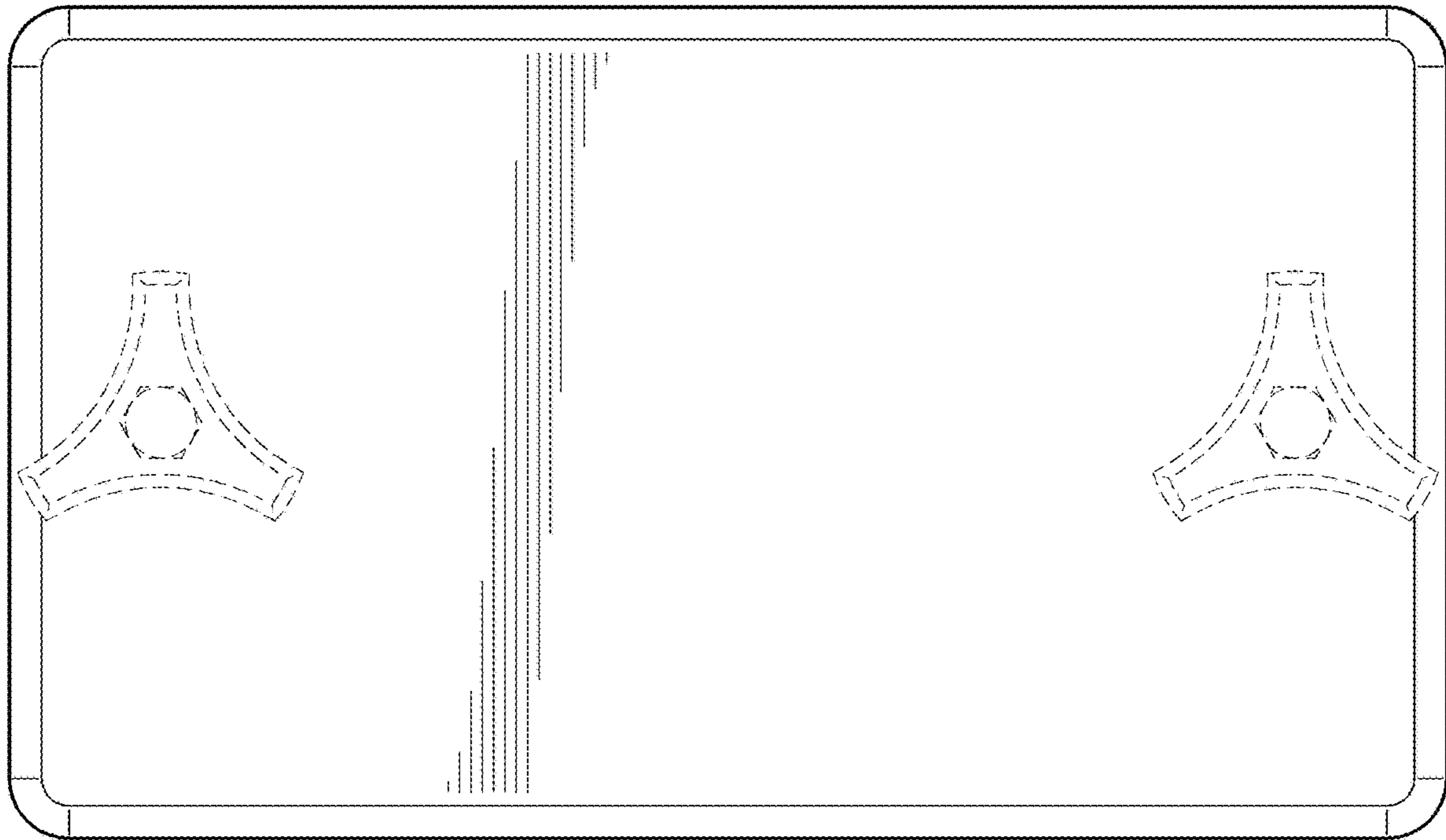




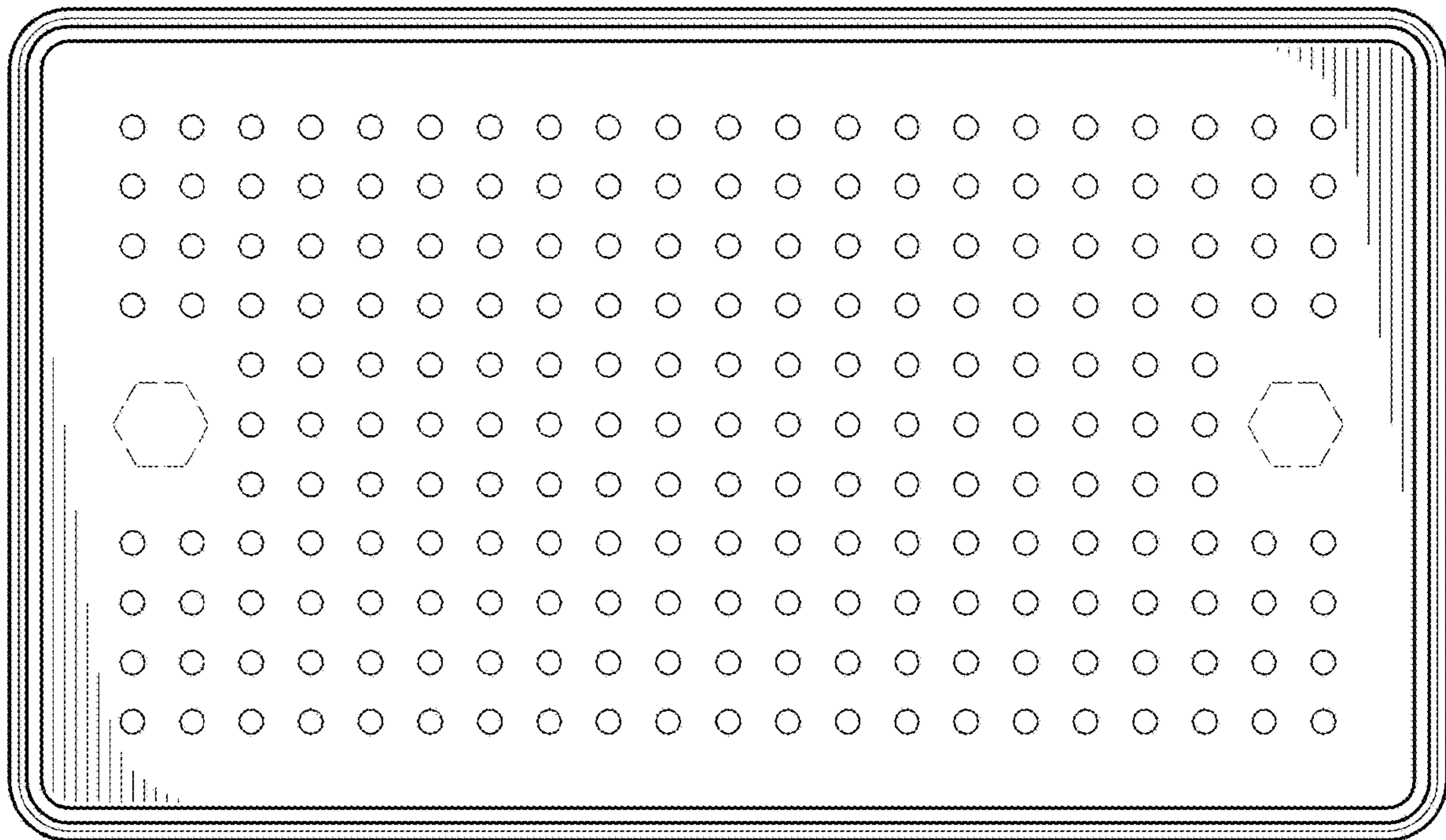
*Fig. 1*



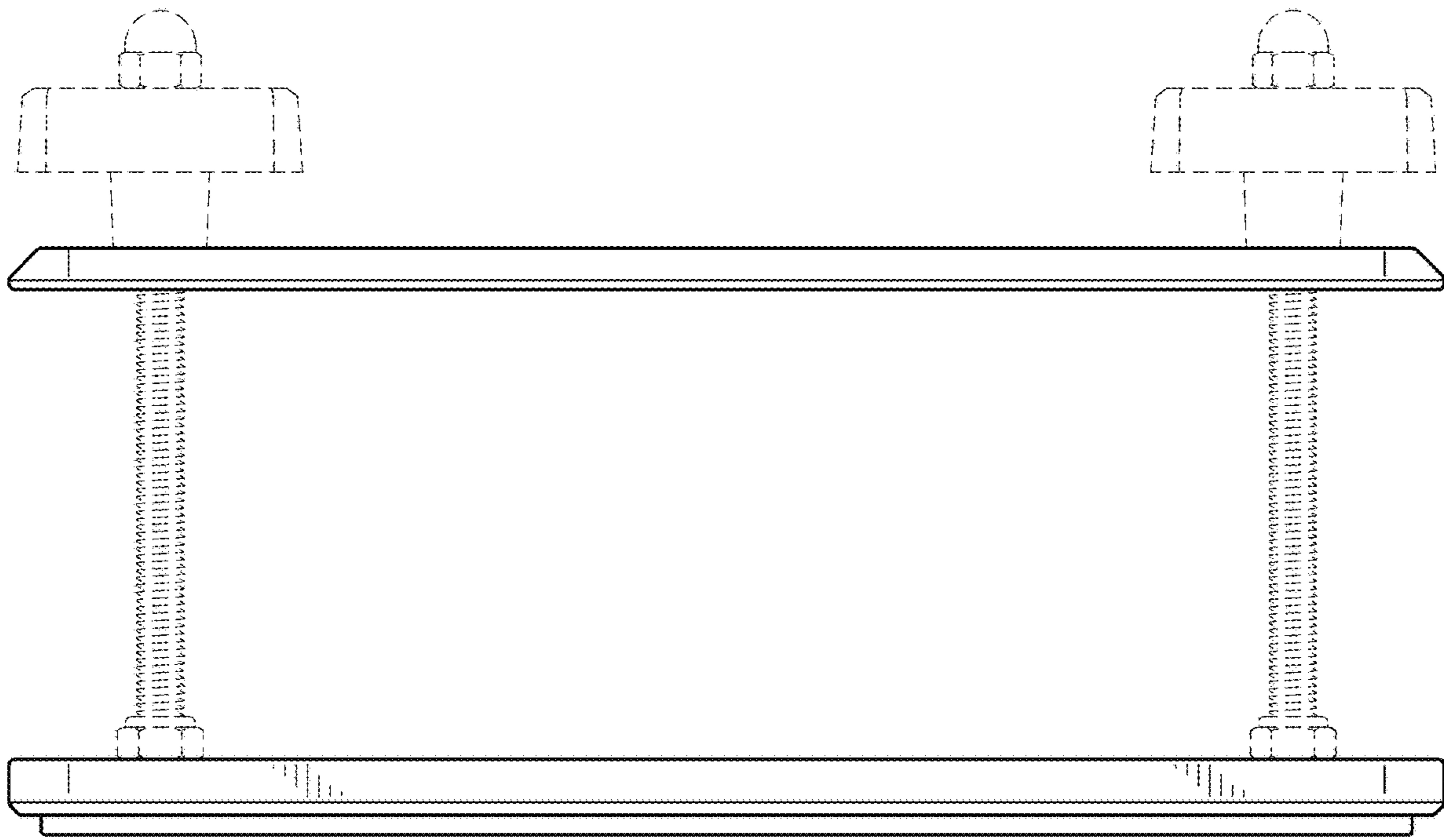
*Fig. 2*



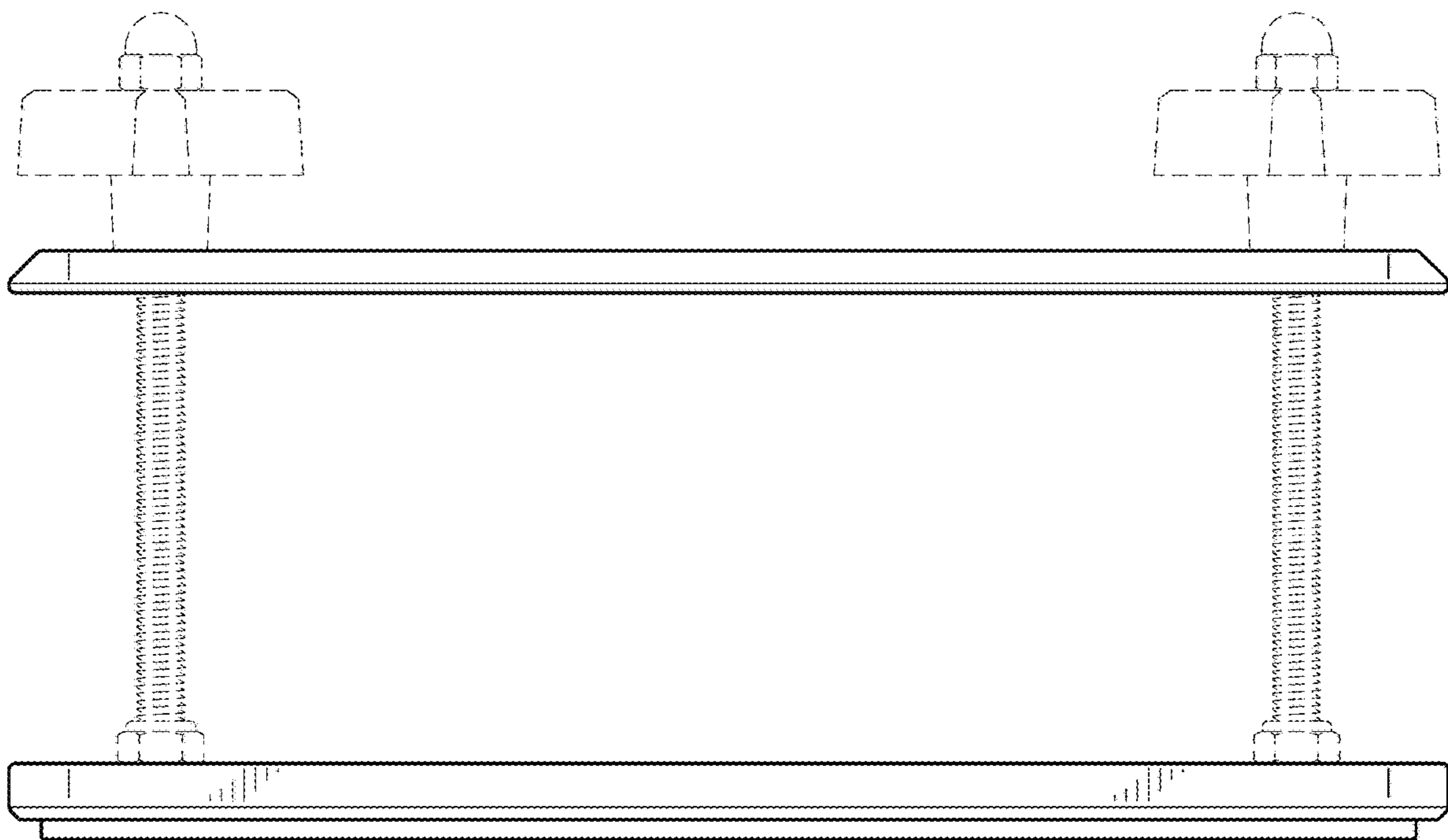
*Fig. 3*



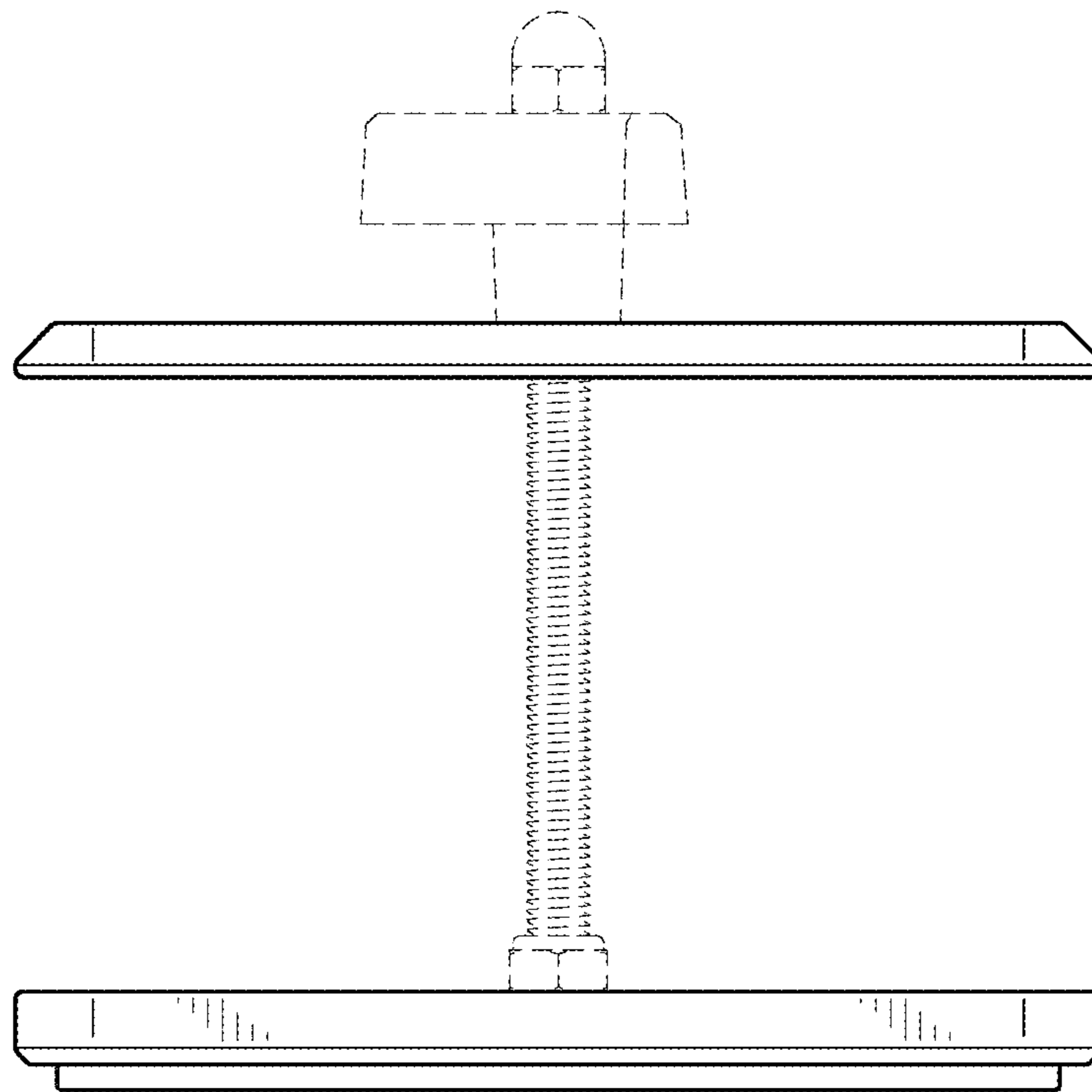
*Fig. 4*



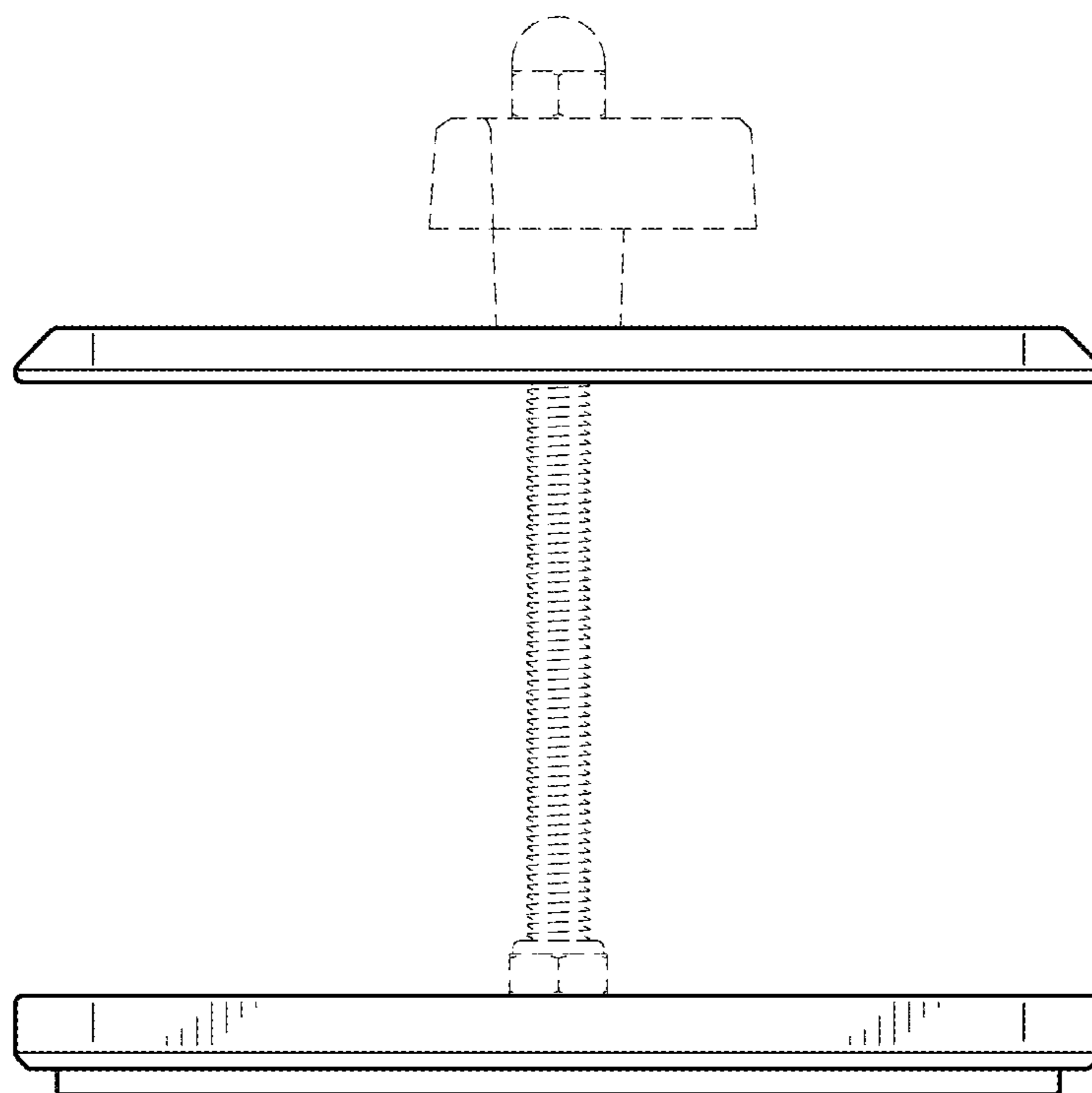
*Fig. 5*



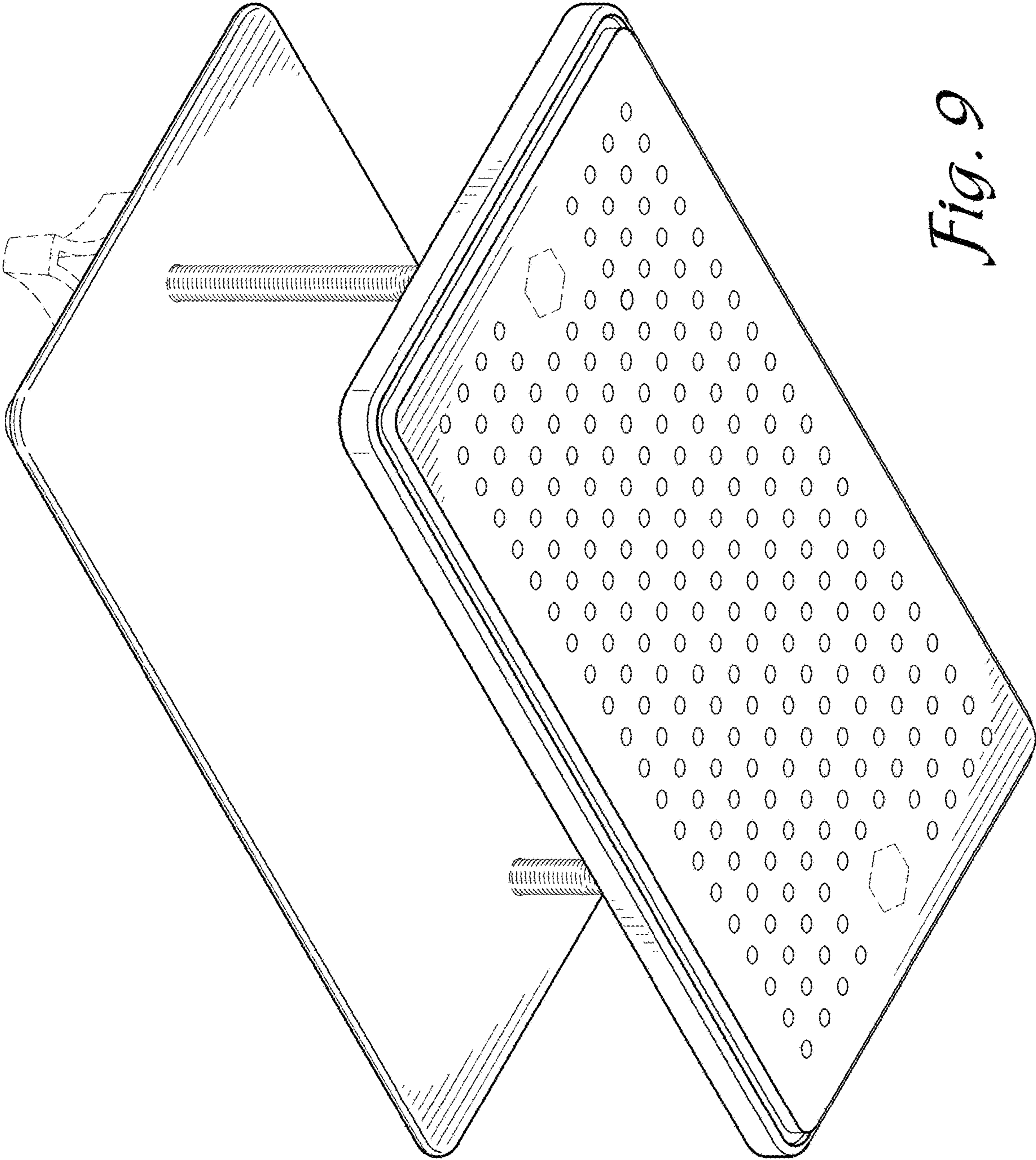
*Fig. 6*



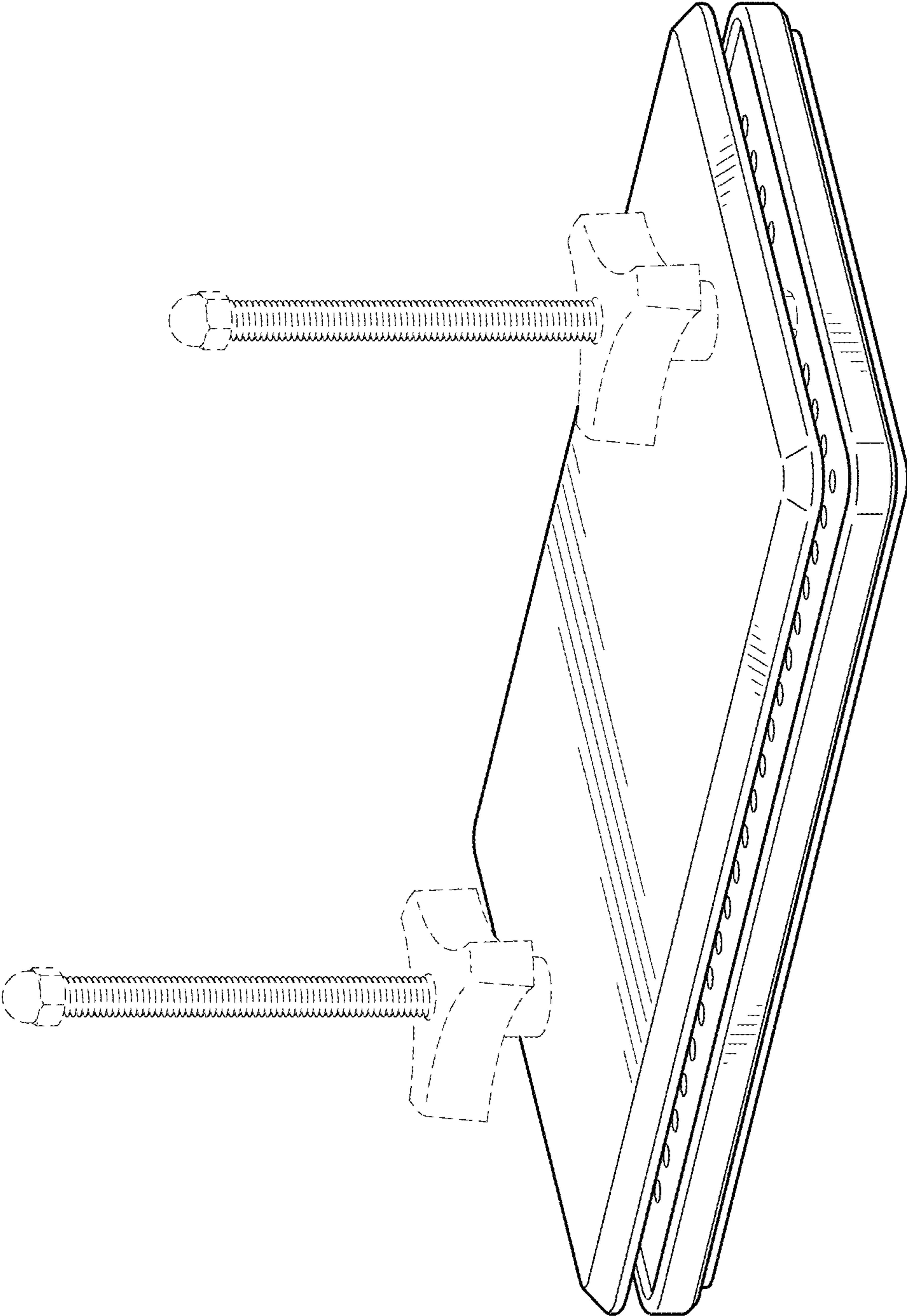
*Fig. 7*



*Fig. 8*

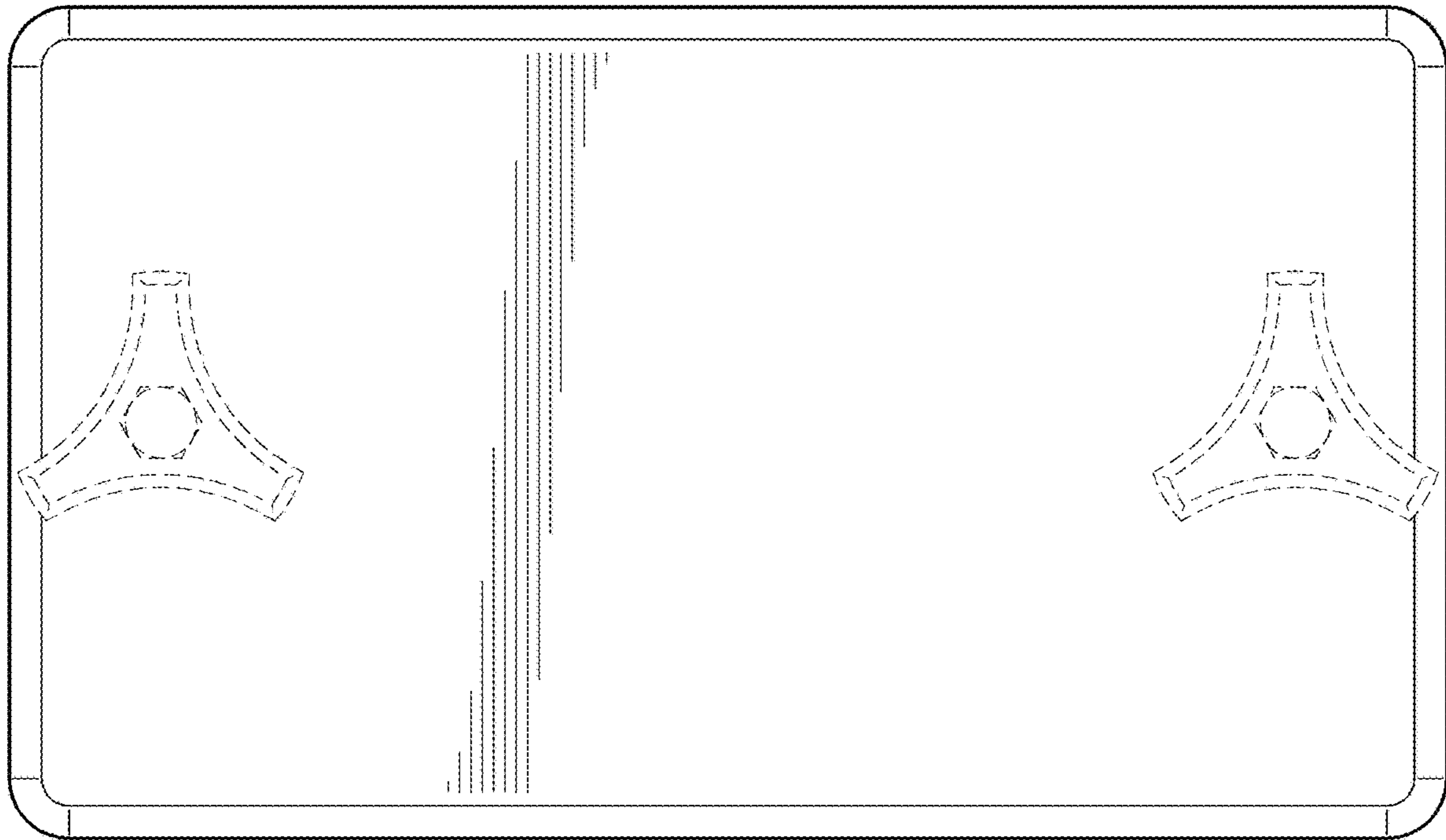


*Fig. 9*

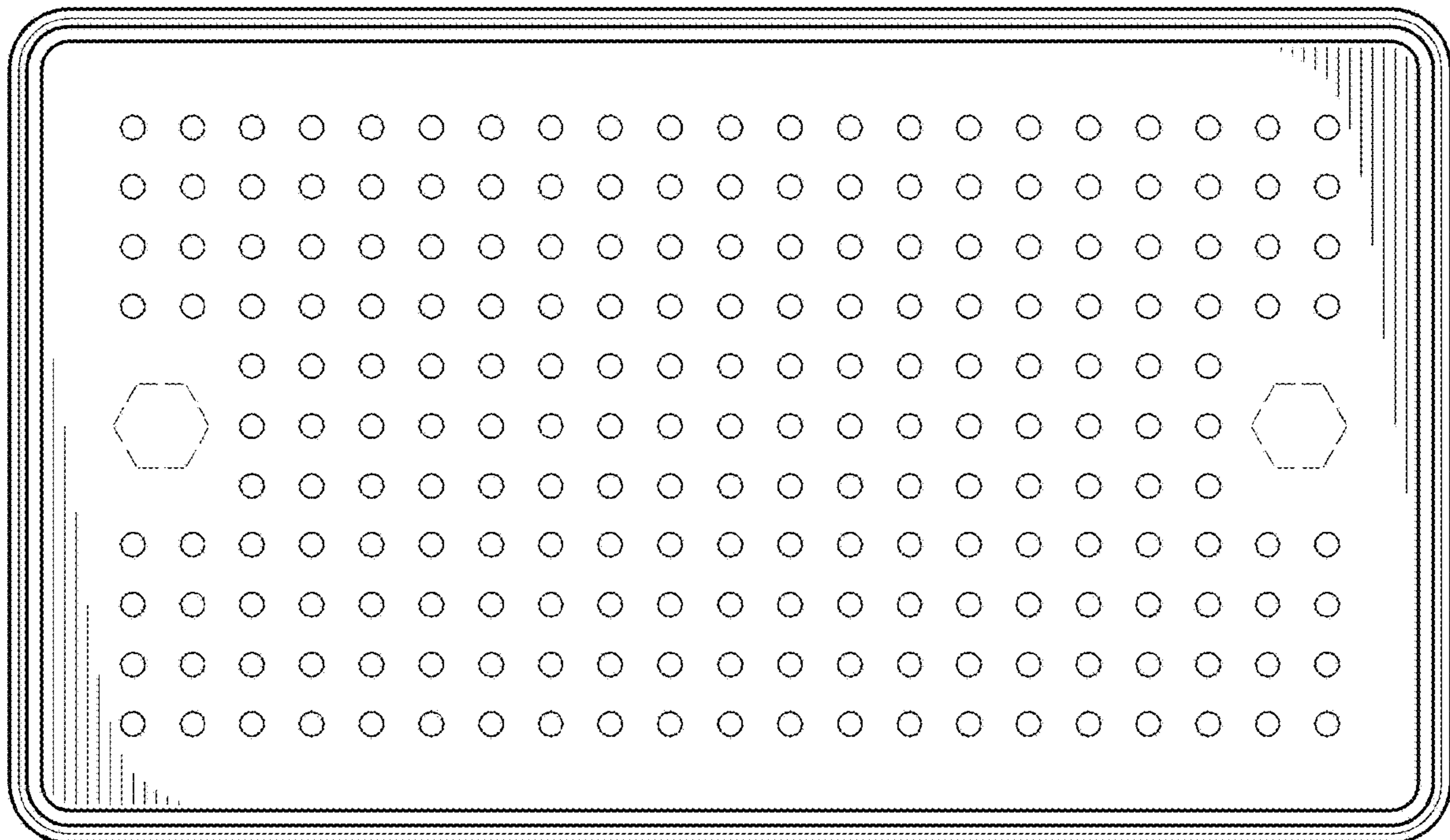


*Fig. 10*





*Fig. 11*



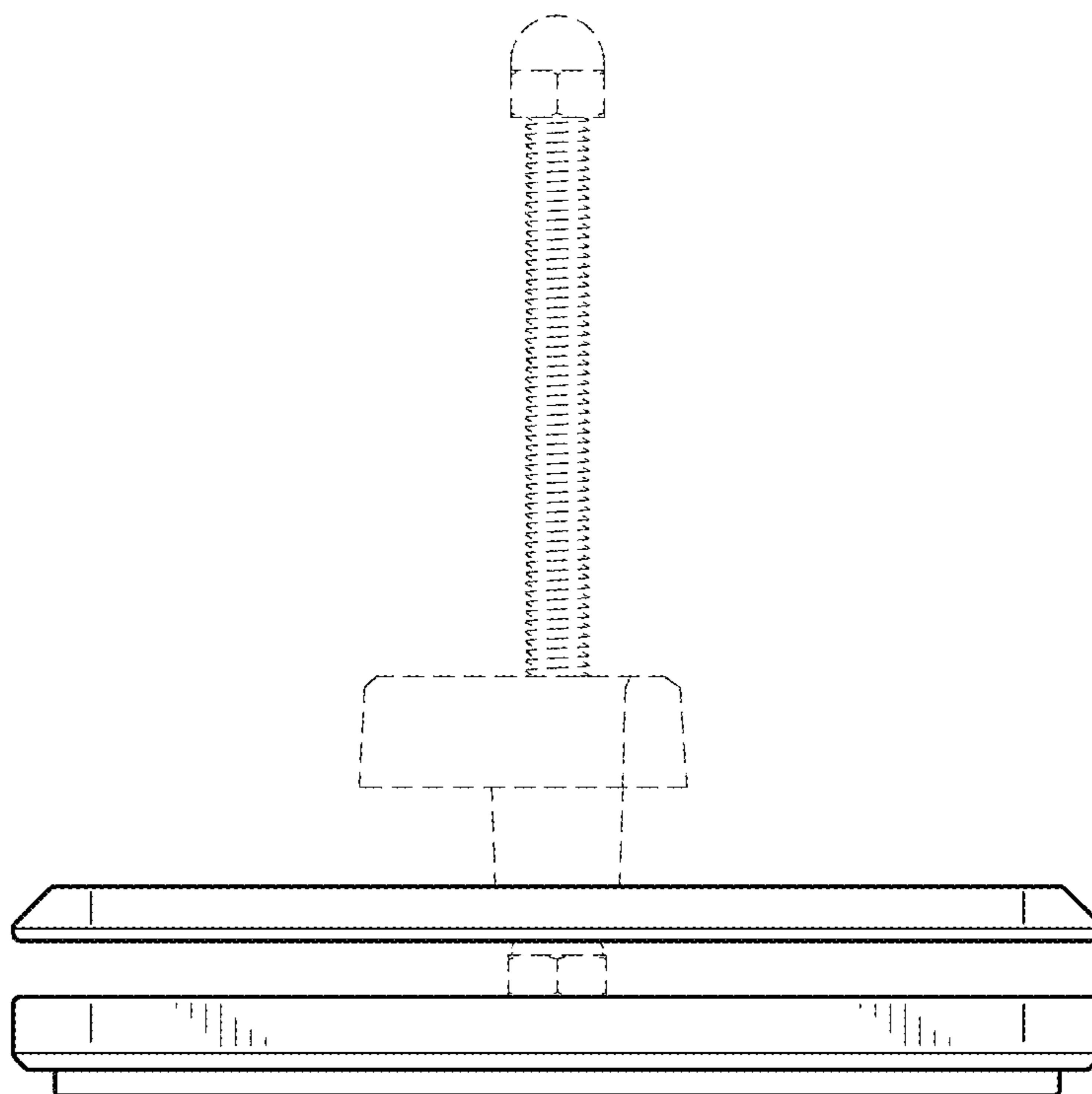
*Fig. 12*



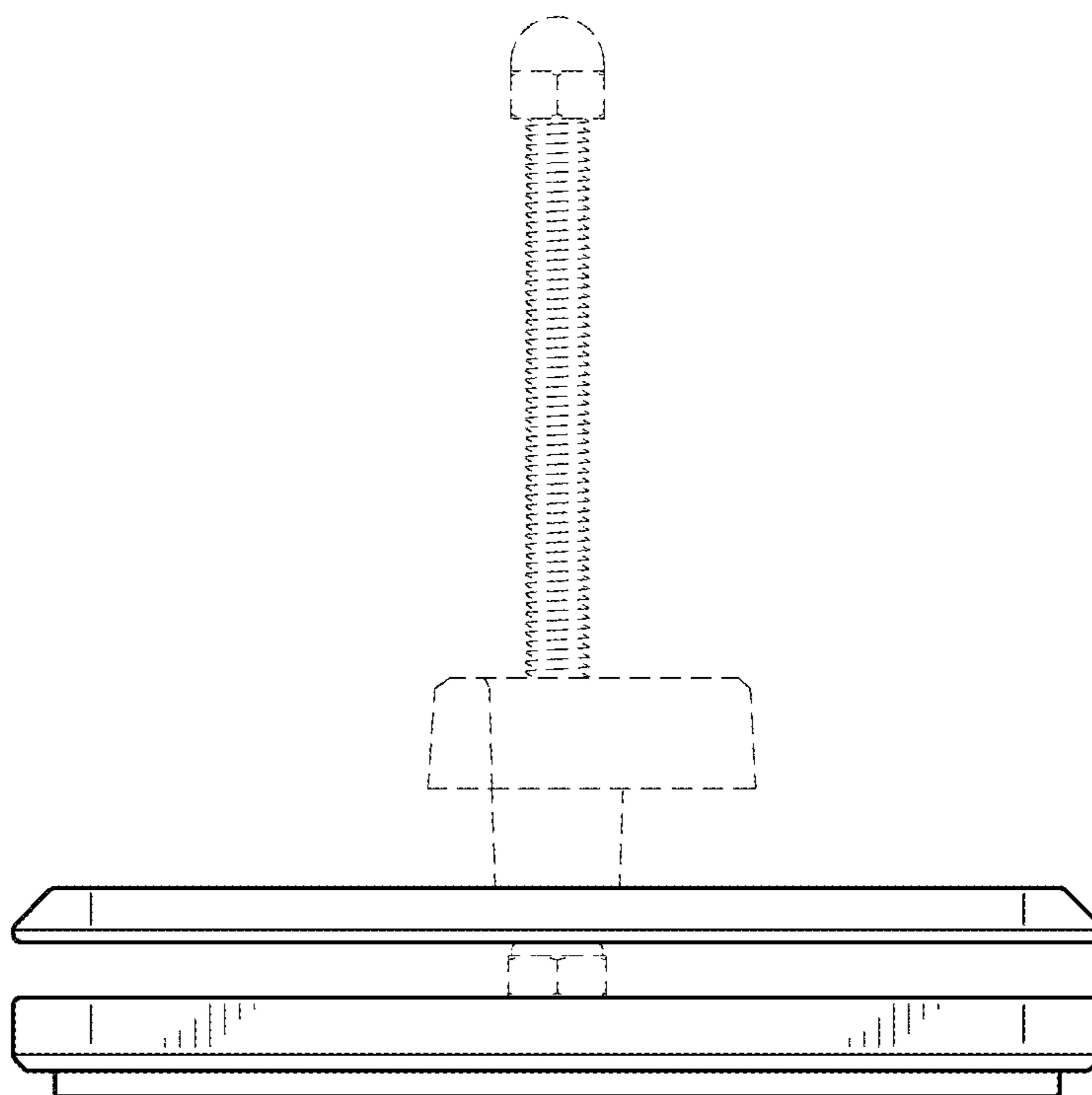
*Fig. 13*



*Fig. 14*



*Fig. 15*



*Fig. 16*