



US00D885851S

(12) **United States Design Patent** (10) **Patent No.:** **US D885,851 S**
Trani et al. (45) **Date of Patent:** **** Jun. 2, 2020**

(54) **DISPENSER FOR EDIBLE PRODUCT**

D590,283 S * 4/2009 Critelli D10/74
D590,444 S 4/2009 Farnworth et al.
D592,249 S 5/2009 Chang

(71) Applicant: **The Topps Company, Inc.**, New York, NY (US)

(Continued)

(72) Inventors: **Anthony Trani**, Brooklyn, NY (US);
Cynthia Mangold, Santa Monica, CA (US);
Emma Bacon, Jersey City, NJ (US);
Jason Reinbold, Jersey City, NJ (US);
James E. McCay, Fairfield, CT (US);
John Kevin Clay, Milford, CT (US)

OTHER PUBLICATIONS

Push Pop Gummy Roll | posted at Amazon.com, no posting date, © 1996-2020 Amazon.com, [online], [site visited Mar. 11, 2020]. Available from Internet, <URL: <https://www.amazon.com/Push-Pop-Assorted-Count-Easter-Stufflers/dp/B0839Y1DWZ/>> (Year: 2020).*

(73) Assignee: **THE TOPPS COMPANY, INC.**, New York, NY (US)

Primary Examiner — Derrick E Holland

Assistant Examiner — Andrew Kerr

(74) *Attorney, Agent, or Firm* — Dentons US LLP

(**) Term: **15 Years**

(57) **CLAIM**

(21) Appl. No.: **29/680,018**

An ornamental design for a dispenser for an edible product, as shown and described.

(22) Filed: **Feb. 12, 2019**

DESCRIPTION

(51) **LOC (12) Cl.** **09-07**

(52) **U.S. Cl.**
USPC **D7/630**

(58) **Field of Classification Search**
USPC D7/589, 601, 602, 629, 630, 640, 397,
D7/213; D9/730-734, 414, 417;
D10/70-72; D6/518
CPC B65D 83/08; B65D 83/0823; B65D
83/0835; B65D 83/0841; G01B 3/10;
G01B 3/1041; G01B 3/1046
See application file for complete search history.

A portion of the disclosure of this patent document contains material which is or may be subject to copyright protection. The copyright owner has no objection to the facsimile reproduction by anyone of the patent document or patent disclosure, as it appears in the Patent and Trademark Office patent file or records, but otherwise reserves all copyright rights whatsoever.

FIG. 1 is a front perspective view of a dispenser for edible product, showing our new design;

FIG. 2 is a rear perspective view thereof;

FIG. 3 is a left side view thereof, the right side view being a mirror image thereof;

FIG. 4 is a top view thereof;

FIG. 5 is a bottom view thereof;

FIG. 6 is a front view thereof; and,

FIG. 7 is a rear view thereof.

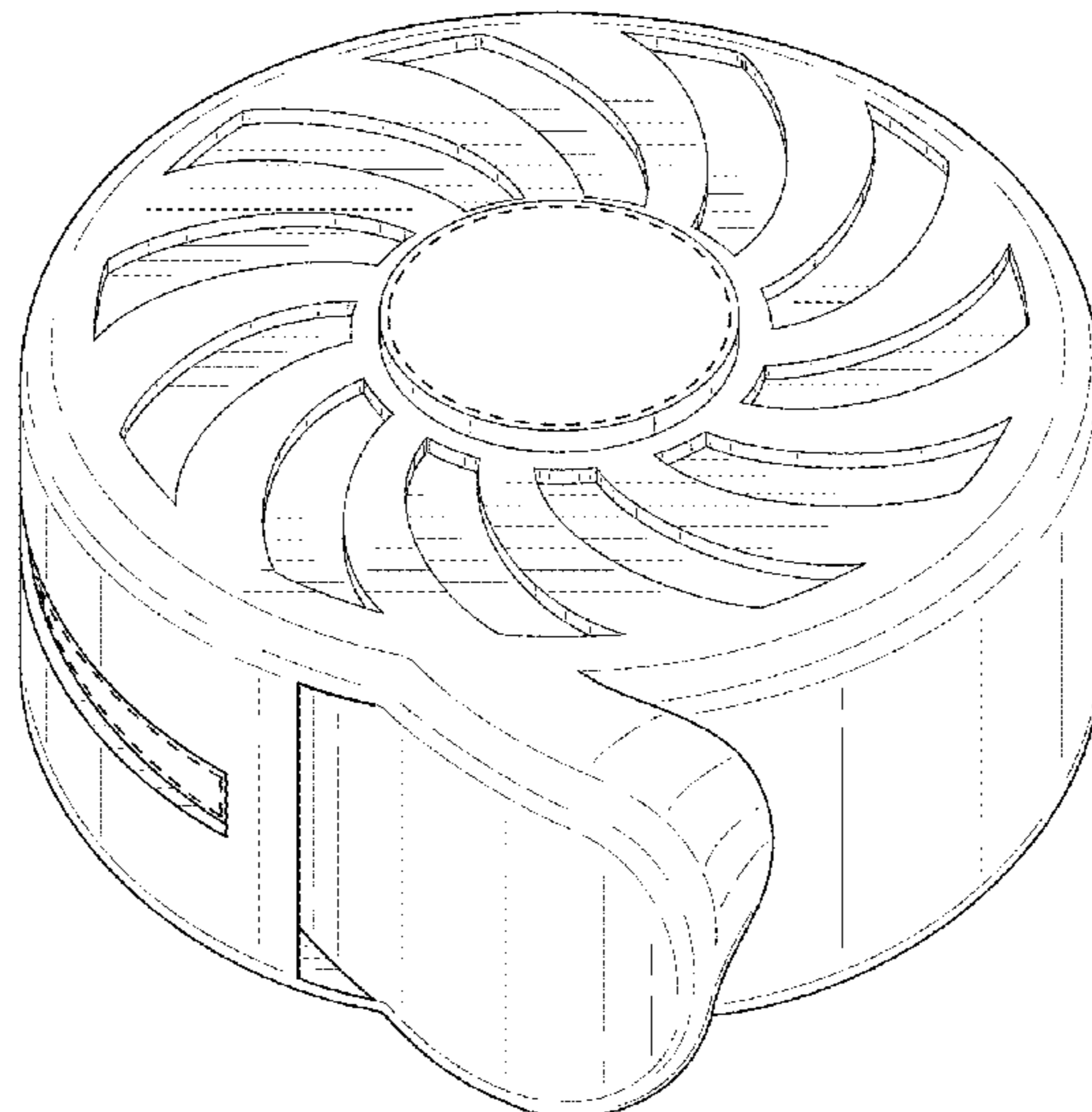
The broken lines in the drawings depict portions of the dispenser for edible product that form no part of the claimed design.

(56) **References Cited**

U.S. PATENT DOCUMENTS

D507,195 S * 7/2005 Kondo D10/72
D507,196 S * 7/2005 Chen D10/72
D541,347 S 4/2007 Porcini et al.
D541,864 S 5/2007 Porcini et al.
D543,241 S 5/2007 Herrmannsen et al.
D546,670 S 7/2007 Sainz
D568,692 S 5/2008 Lam

1 Claim, 4 Drawing Sheets



(56)

References Cited

U.S. PATENT DOCUMENTS

D592,445	S *	5/2009	Sorenson	D7/359
D609,274	S	2/2010	Hsu et al.	
D612,429	S	3/2010	Hochmuth	
D615,592	S	5/2010	Shaha et al.	
D640,325	S	6/2011	Broen et al.	
D640,742	S	6/2011	Booty, Jr.	
D653,970	S *	2/2012	Robinson	D10/72
D656,548	S	3/2012	Packard et al.	
D656,549	S	3/2012	Packard et al.	
D660,182	S *	5/2012	Rodriguez	D9/731
D663,775	S	7/2012	Hsu	
D666,243	S	8/2012	Hagglund et al.	
D671,596	S	11/2012	Ruthe-Steinsiek	
D671,991	S	12/2012	Hagglund et al.	
8,528,789	B2 *	9/2013	Ramsey	A45C 11/24 222/182
D708,065	S	7/2014	Pourian	
D709,947	S	7/2014	Broen et al.	
D735,520	S *	8/2015	Mandil	D7/354
D774,350	S *	12/2016	Mandil	D7/354
D780,850	S *	3/2017	Racamier	D19/187
D836,460	S *	12/2018	Roesler	D9/730
D839,758	S *	2/2019	Mallozzi	D10/72
10,321,746	B2 *	6/2019	Kaplan	A45D 40/221
D864,488	S *	10/2019	Kaplan	D28/85
D871,241	S *	12/2019	Ney	D10/72
D876,160	S *	2/2020	Deng	D7/409
2012/0273543	A1 *	11/2012	Shepherd	B65H 35/10 225/106

* cited by examiner

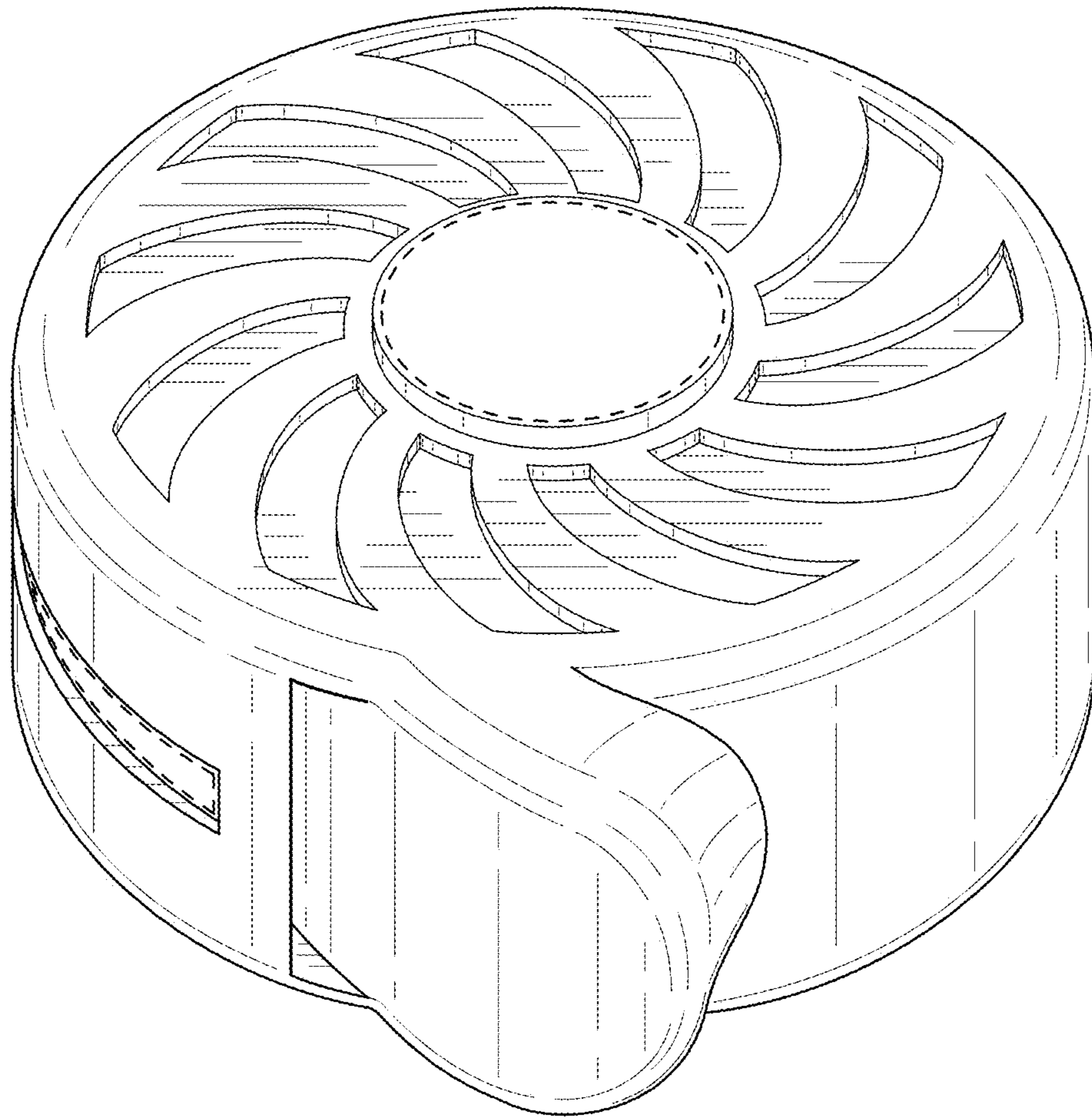


FIG. 1

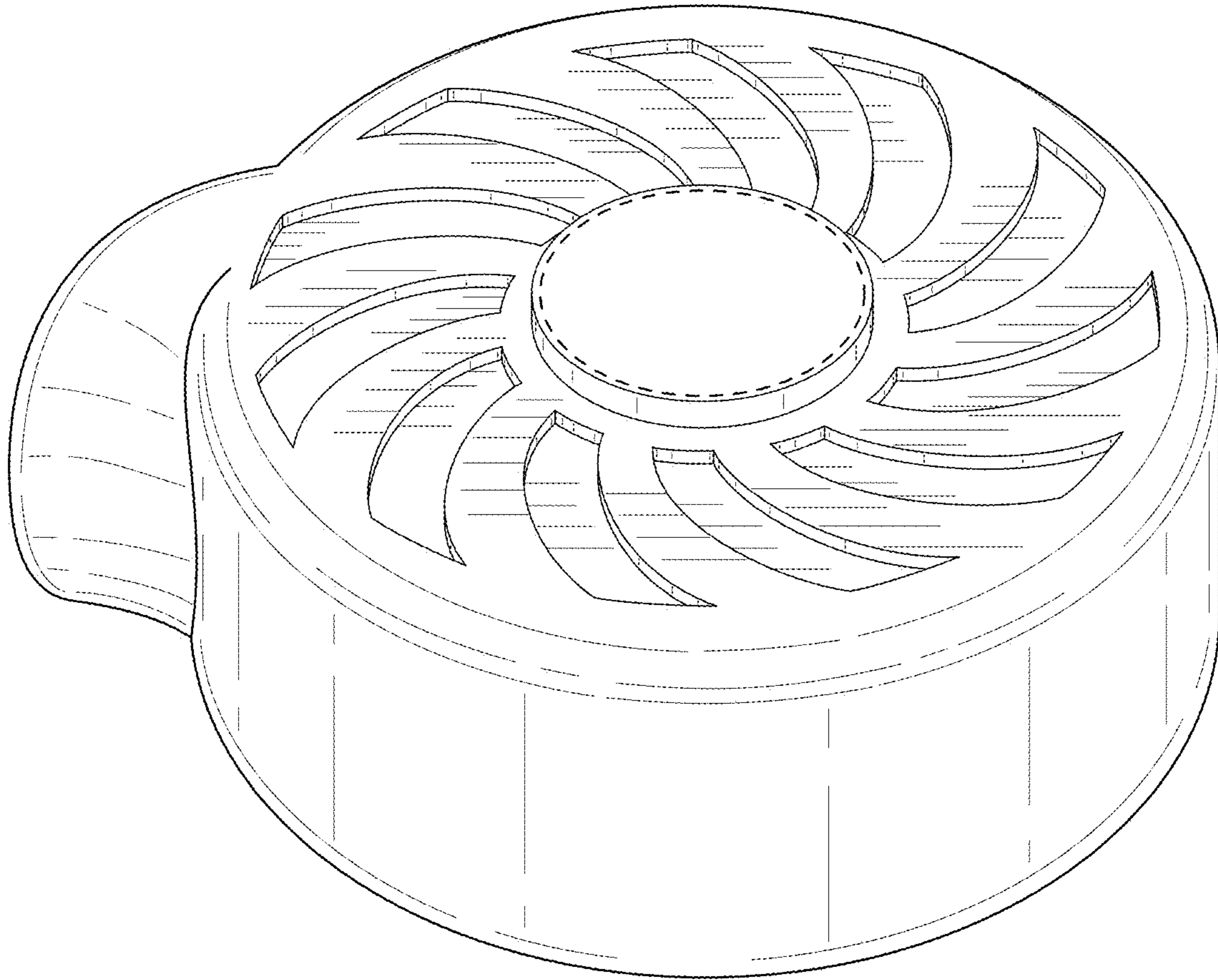


FIG. 2

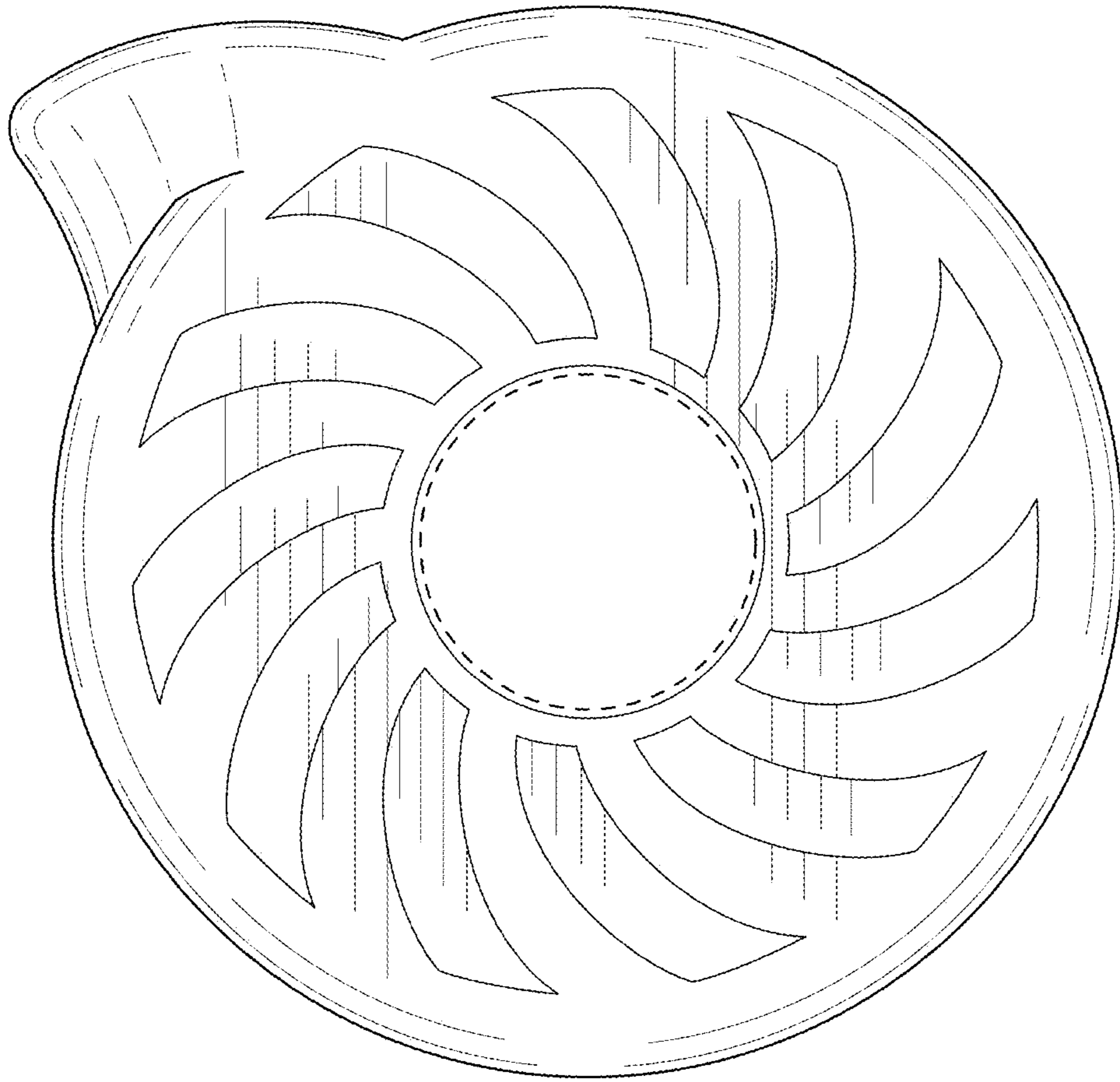


FIG. 3

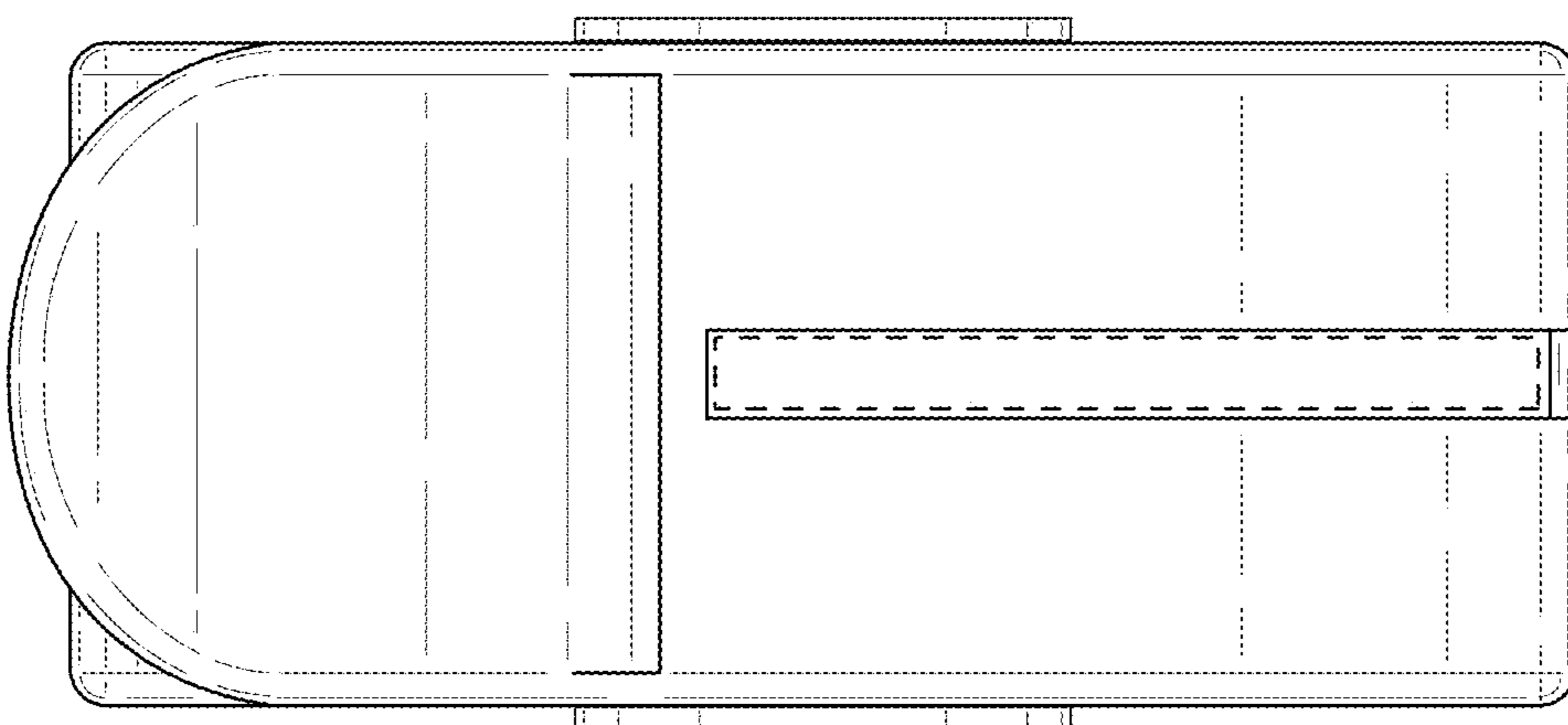


FIG. 4

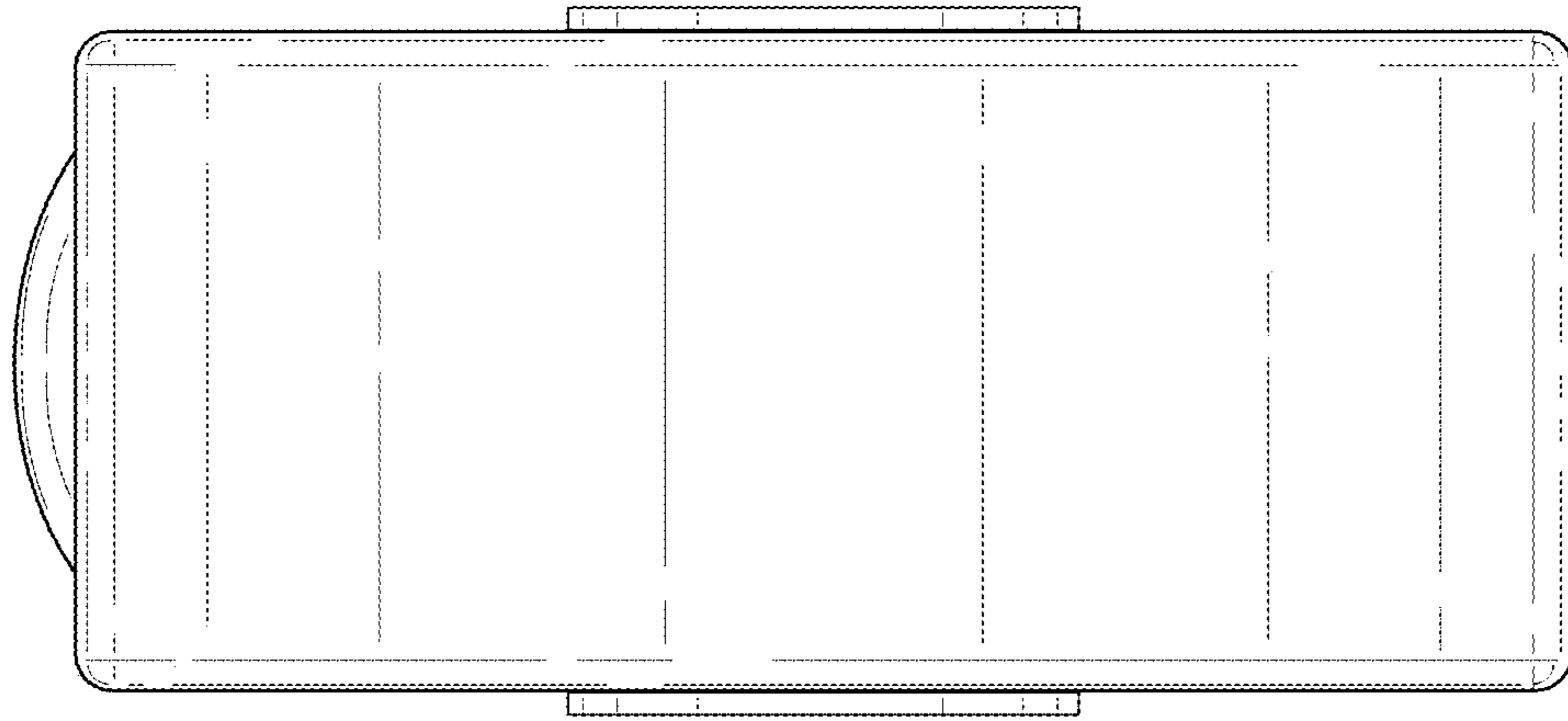


FIG. 5

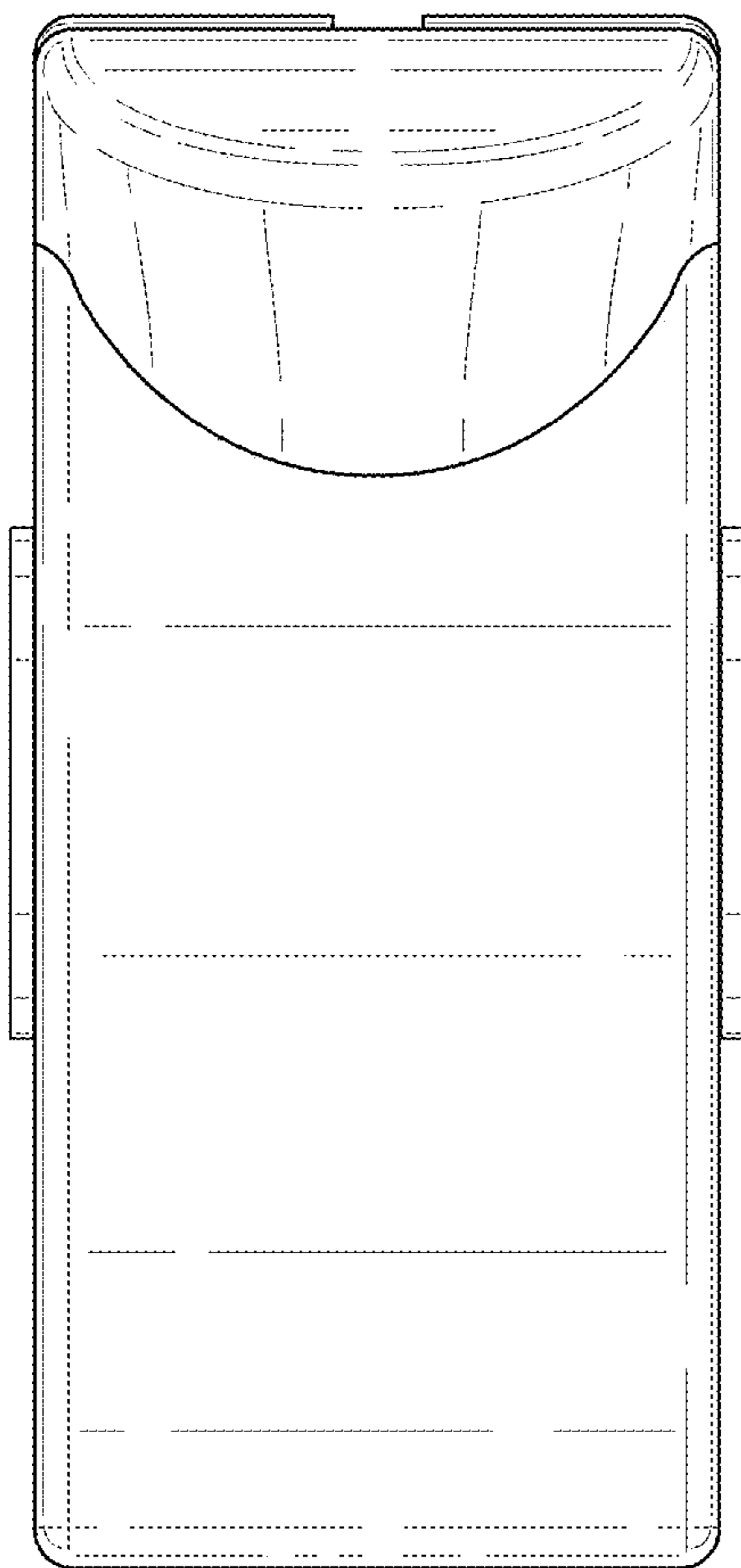


FIG. 6

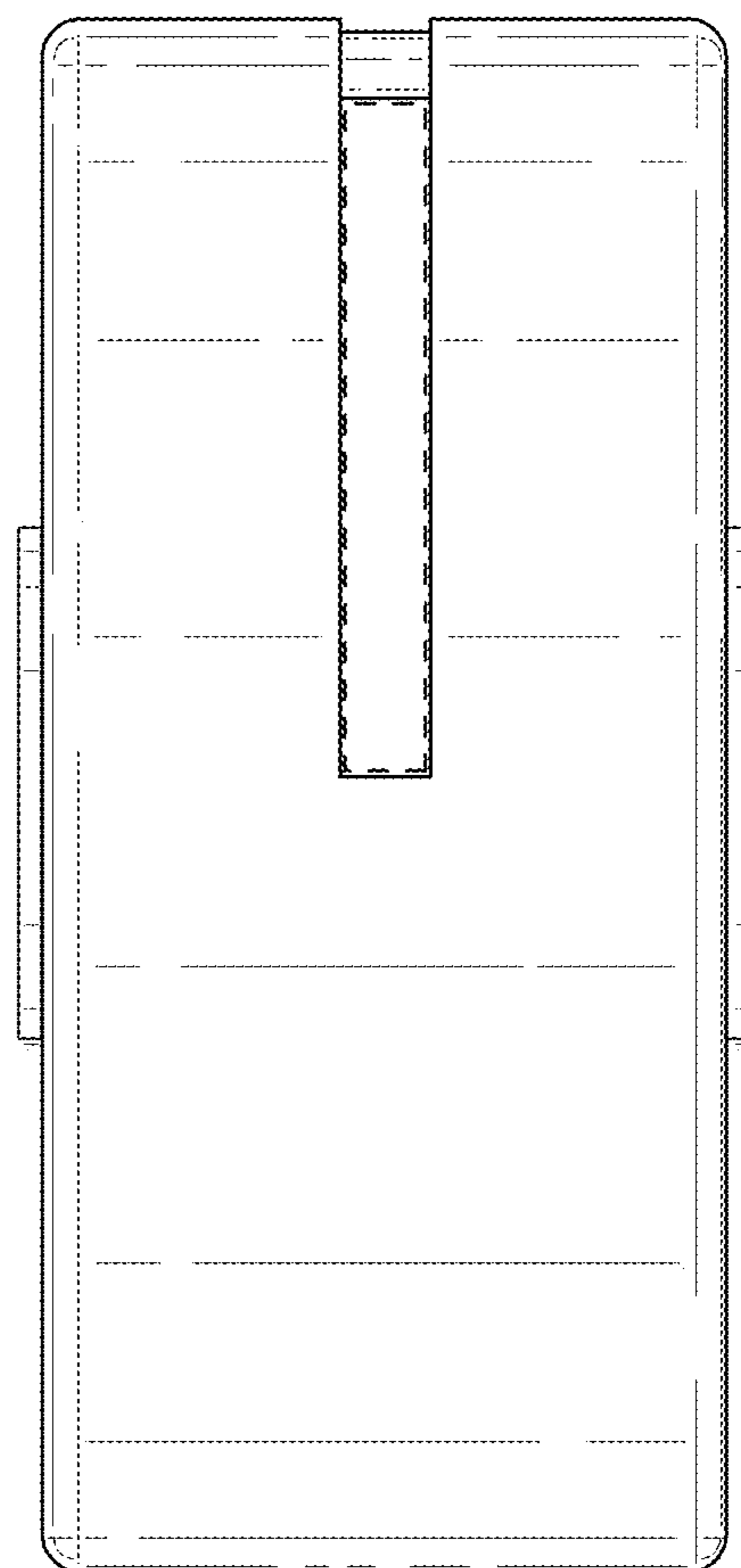


FIG. 7