



US00D885848S

(12) **United States Design Patent** (10) **Patent No.:** **US D885,848 S**
Trani et al. (45) **Date of Patent:** **** Jun. 2, 2020**

- (54) **DISPENSER FOR AN EDIBLE PRODUCT WITH ASSOCIATED PUSHER**
- (71) Applicant: **The Topps Company, Inc.**, New York, NY (US)
- (72) Inventors: **Anthony Trani**, Brooklyn, NY (US); **Cynthia Mangold**, Santa Monica, CA (US); **Emma Bacon**, Jersey City, NJ (US); **Jason Reinbold**, Jersey City, NJ (US); **James E. McCay**, Fairfield, CT (US); **John Kevin Clay**, Milford, CT (US)
- (73) Assignee: **THE TOPPS COMPANY, INC.**, New York, NY (US)
- (**) Term: **15 Years**
- (21) Appl. No.: **29/680,013**
- (22) Filed: **Feb. 12, 2019**
- (51) **LOC (12) Cl.** **07-01**
- (52) **U.S. Cl.**
USPC **D7/630**
- (58) **Field of Classification Search**
USPC D7/589, 601, 602, 629, 630, 640, 397, D7/213; D9/730-734, 414, 417; D10/70-72; D6/518

(Continued)

(56) **References Cited**

U.S. PATENT DOCUMENTS

- D507,195 S * 7/2005 Kondo D10/72
- D507,196 S * 7/2005 Chen D10/72

(Continued)

OTHER PUBLICATIONS

Push Pop Gummy Roll | posted at Amazon.com, no posting date, © 1996-2020 Amazon.com, [online], [site visited Mar. 11, 2020]. Available from Internet, <URL: <https://www.amazon.com/Push-Pop-Assorted-Count-Easter-Stufflers/dp/B0839Y1DWZ/>> (Year: 2020).*

Primary Examiner — Derrick E Holland
Assistant Examiner — Andrew Kerr
(74) *Attorney, Agent, or Firm* — Dentons US LLP

(57) **CLAIM**

An ornamental design for a dispenser for an edible product with associated pusher, as shown and described.

DESCRIPTION

A portion of the disclosure of this patent document contains material which is or may be subject to copyright protection. The copyright owner has no objection to the facsimile reproduction by anyone of the patent document or patent disclosure, as it appears in the Patent and Trademark Office patent file or records, but otherwise reserves all copyright rights whatsoever.

FIG. 1 is a front perspective view of a dispenser for an edible product with associated pusher in a first position, showing our new design;

FIG. 2 is a rear perspective view thereof;

FIG. 3 is a left side view thereof, the right side view being a mirror image thereof;

FIG. 4 is a top view thereof;

FIG. 5 is a bottom view thereof;

FIG. 6 is a front view thereof; and

FIG. 7 is a rear view thereof.

FIG. 8 is a front perspective view of a dispenser for an edible product with associated pusher in a second position, showing our new design;

FIG. 9 is a rear perspective view thereof;

FIG. 10 is a left side view thereof, the right side view being a mirror image thereof;

FIG. 11 is a top view thereof;

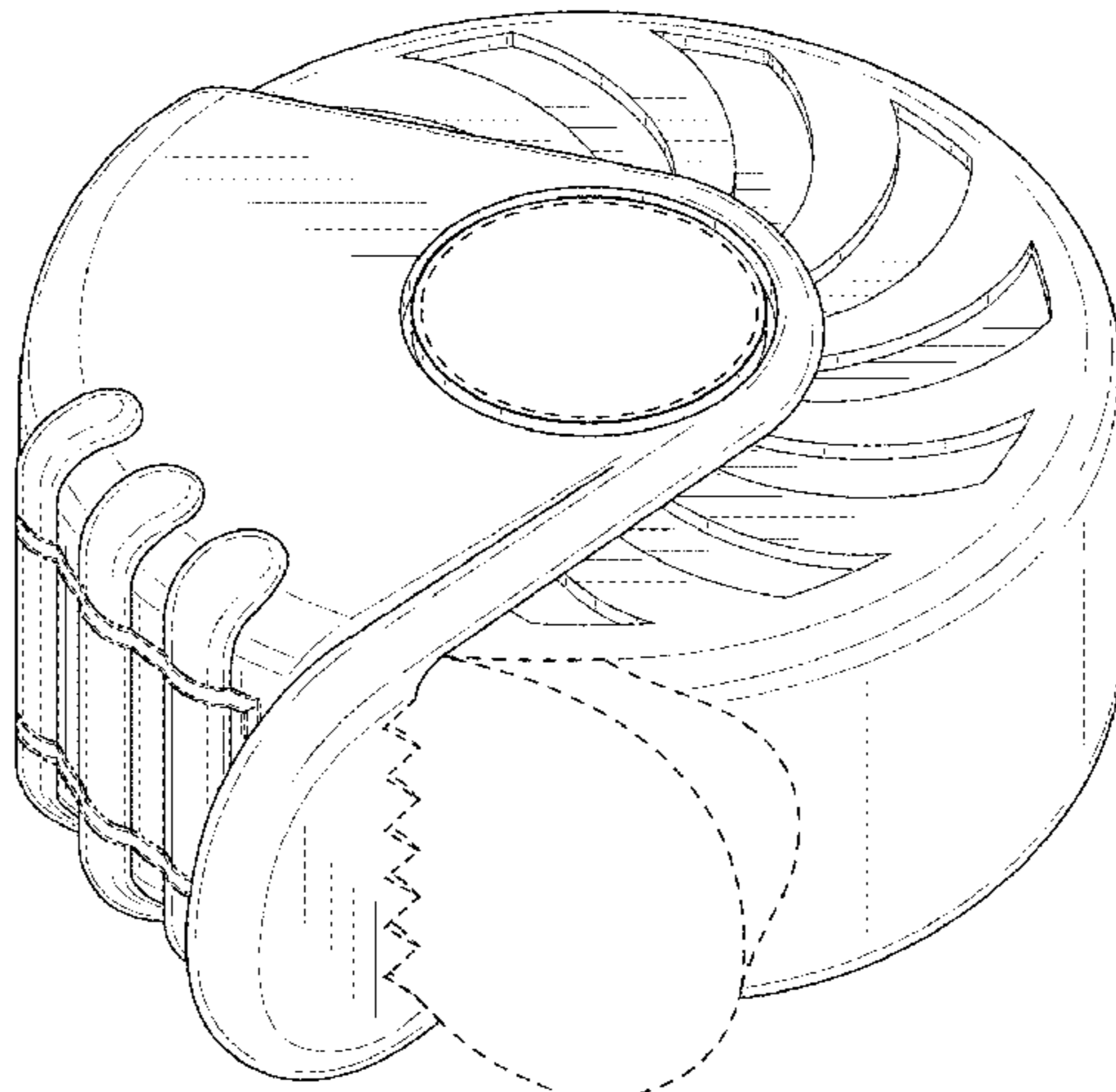
FIG. 12 is a bottom view thereof;

FIG. 13 is a front view thereof; and,

FIG. 14 is a rear view thereof.

The dash-dash broken lines in the drawings depict portions of the dispenser for edible product that form no part of the claimed design. The dash-dot-dot broken lines in the drawings define the bounds of the claimed design and form no part thereof.

1 Claim, 8 Drawing Sheets



(58) **Field of Classification Search**
 CPC B65D 83/08; B65D 83/0823; B65D
 83/0835; B65D 83/0841; G01B 3/10;
 G01B 3/1041; G01B 3/1046
 See application file for complete search history.

(56) **References Cited**

U.S. PATENT DOCUMENTS

D541,347 S	4/2007	Porcini et al.	
D541,864 S	5/2007	Porcini et al.	
D543,241 S	5/2007	Herrmannsen et al.	
D546,670 S	7/2007	Sainz	
D568,692 S	5/2008	Lam	
D590,283 S *	4/2009	Critelli	D10/74
D590,444 S	4/2009	Farnworth et al.	
D592,249 S	5/2009	Chang	
D592,445 S *	5/2009	Sorenson	D7/359
D609,274 S	2/2010	Hsu et al.	
D612,429 S	3/2010	Hochmuth	
D615,592 S	5/2010	Shaha et al.	
D640,325 S	6/2011	Broen et al.	
D640,742 S	6/2011	Booty, Jr.	

D653,970 S *	2/2012	Robinson	D10/72
D656,548 S	3/2012	Packard et al.	
D656,549 S	3/2012	Packard et al.	
D660,182 S *	5/2012	Rodriguez	D9/731
D663,775 S	7/2012	Hsu	
D666,243 S	8/2012	Hagglund et al.	
D671,596 S	11/2012	Ruthe-Steinsiek	
D671,991 S	12/2012	Hagglund et al.	
8,528,789 B2 *	9/2013	Ramsey	A45C 11/24 222/182
D708,065 S	7/2014	Pourian	
D709,947 S	7/2014	Broen et al.	
D735,520 S *	8/2015	Mandil	D7/354
D774,350 S *	12/2016	Mandil	D7/354
D780,850 S *	3/2017	Racamier	D19/187
D836,460 S *	12/2018	Roesler	D9/730
D839,758 S *	2/2019	Mallozzi	D10/72
10,321,746 B2 *	6/2019	Kaplan	A45D 40/221
D864,488 S *	10/2019	Kaplan	D28/85
D871,241 S *	12/2019	Ney	D10/72
D876,160 S *	2/2020	Deng	D7/409
2012/0273543 A1 *	11/2012	Shepherd	B65H 35/10 225/106

* cited by examiner

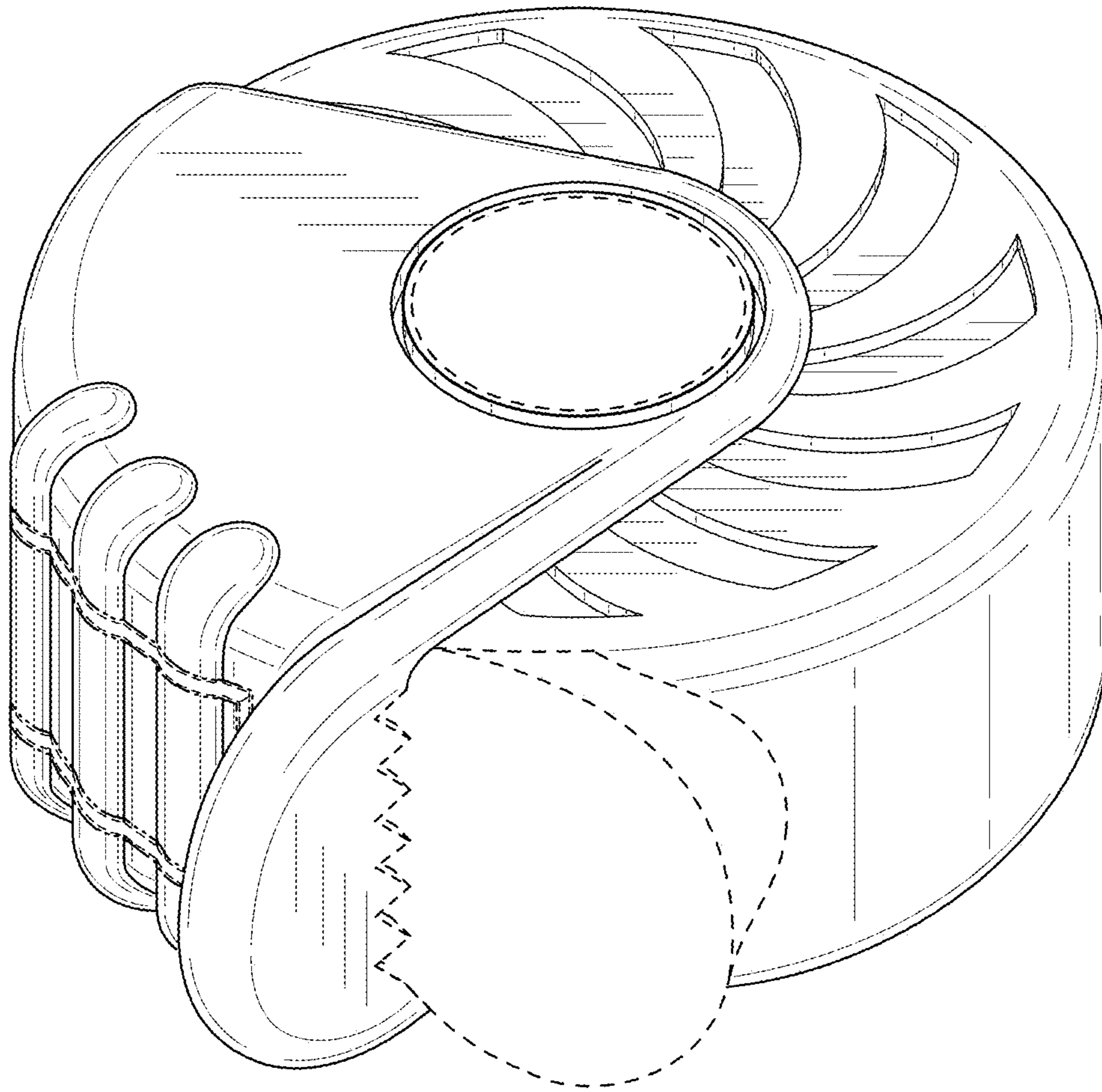


FIG. 1

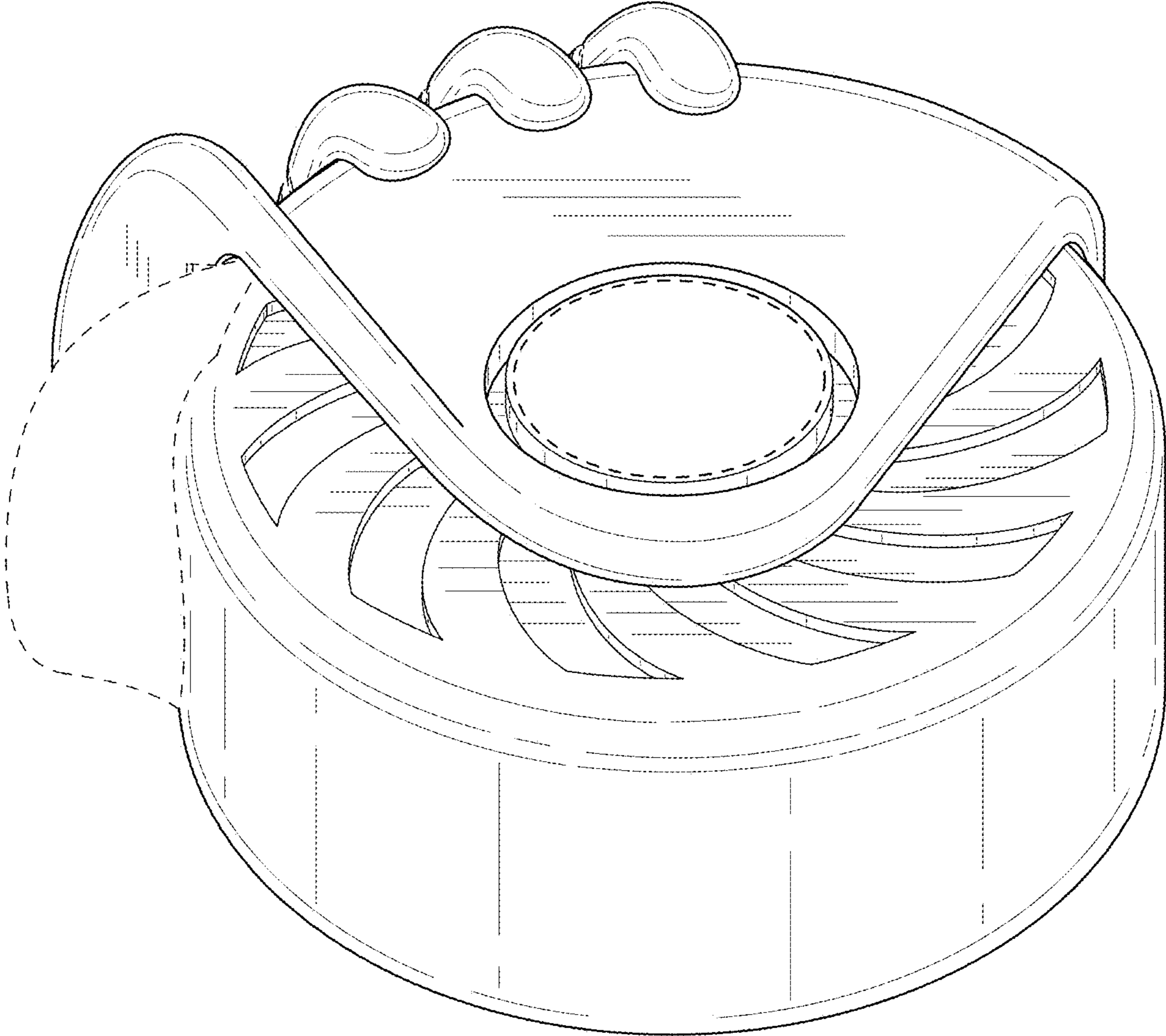


FIG. 2

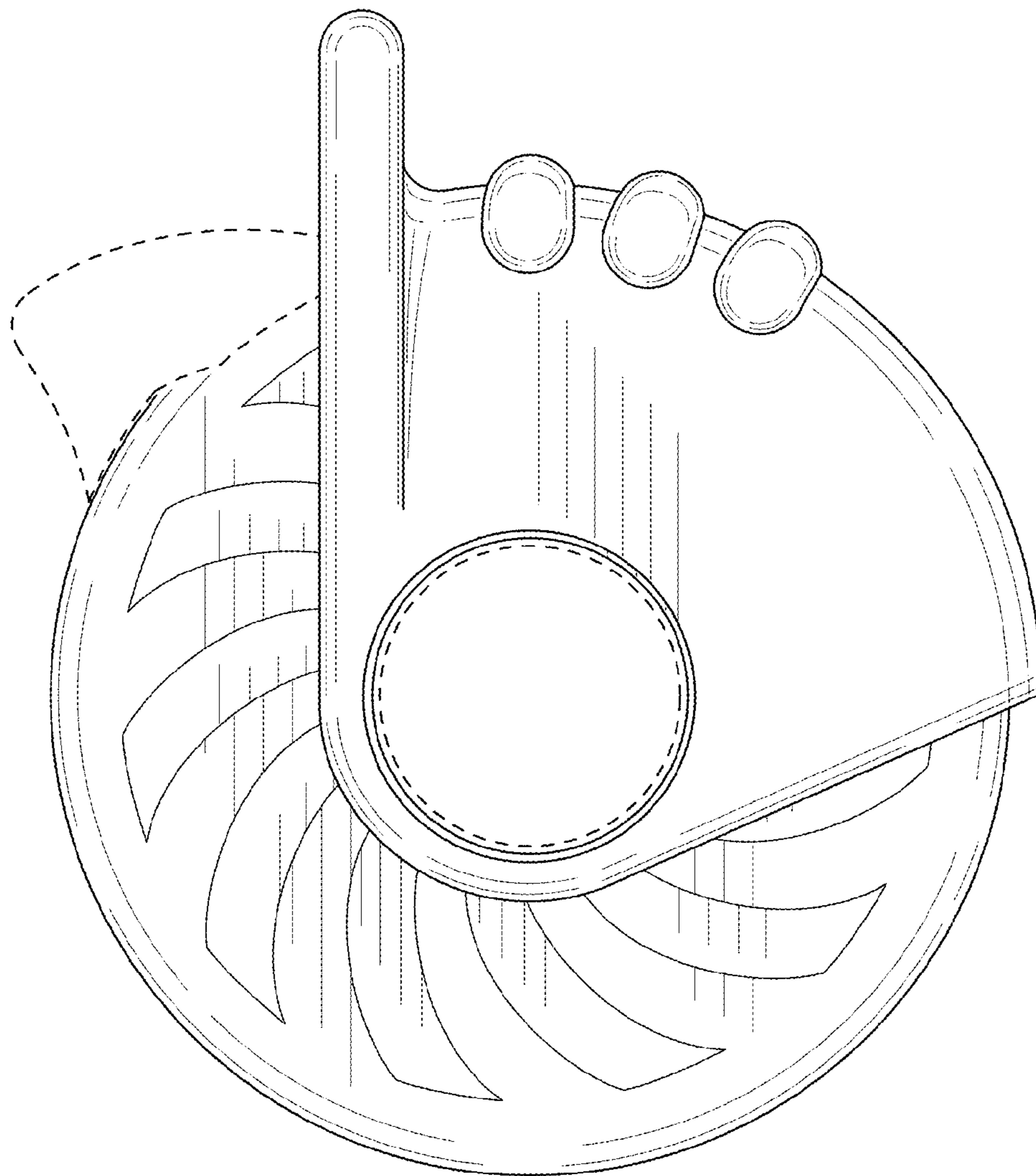


FIG. 3

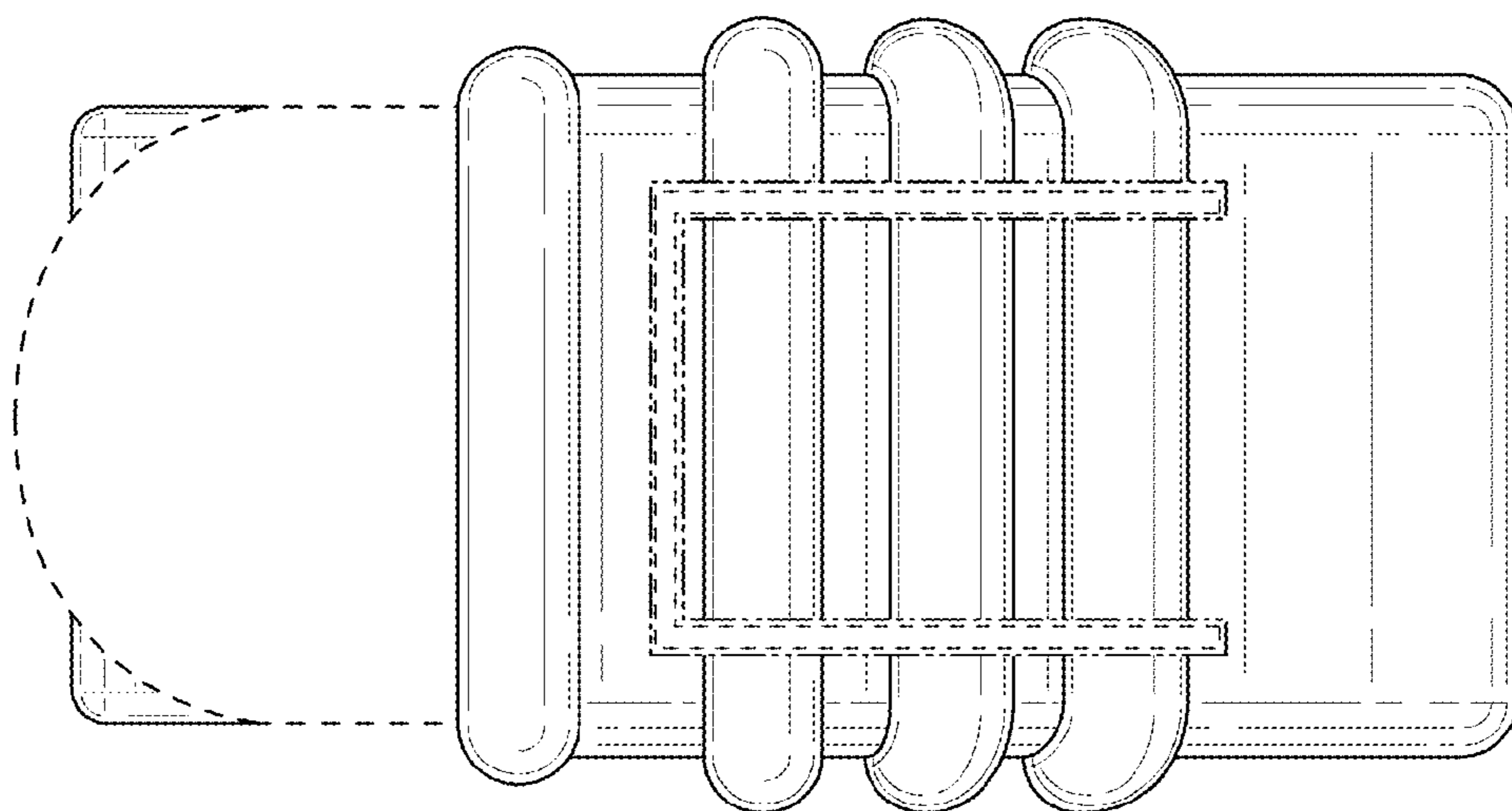


FIG. 4

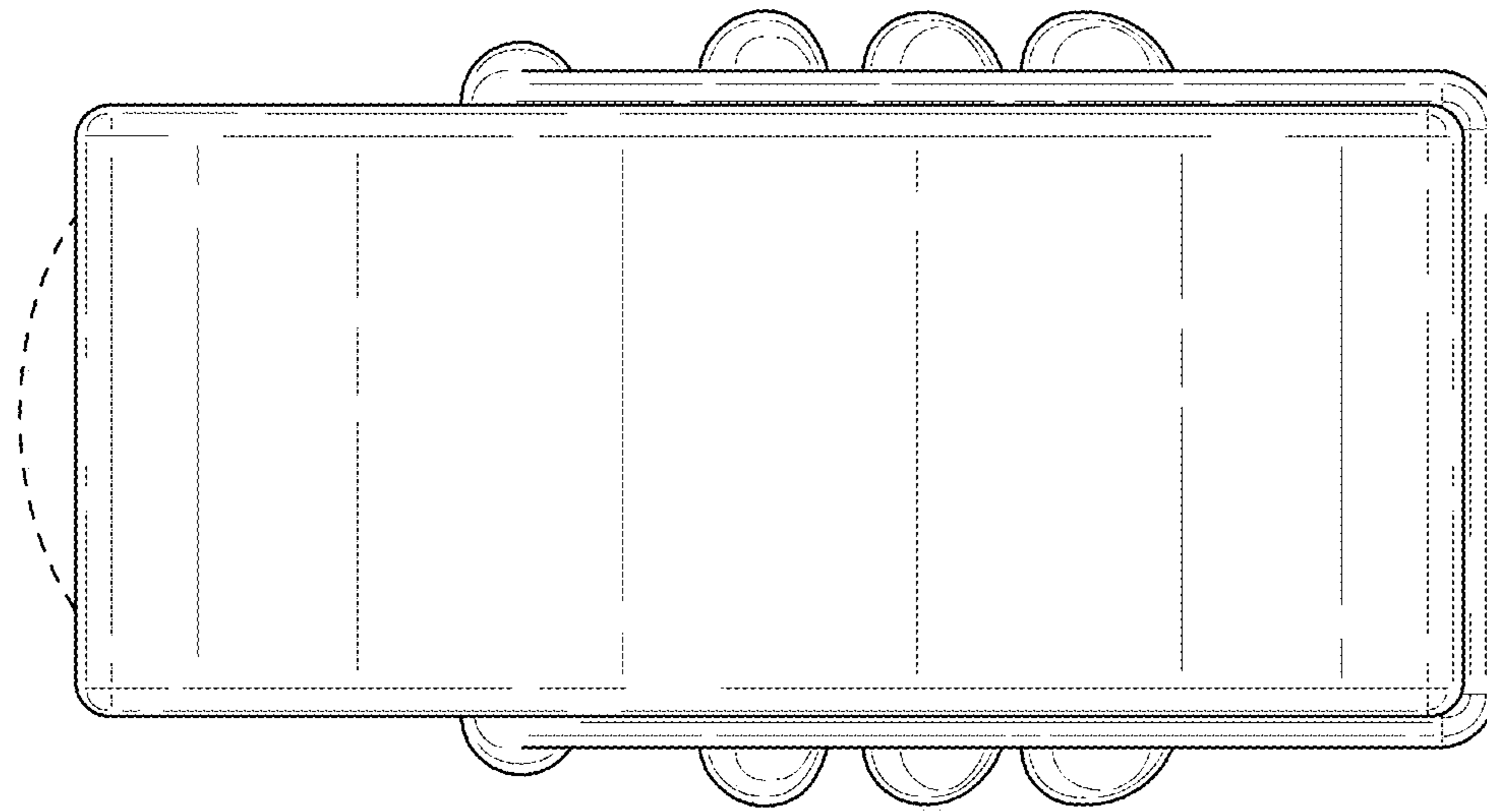


FIG. 5

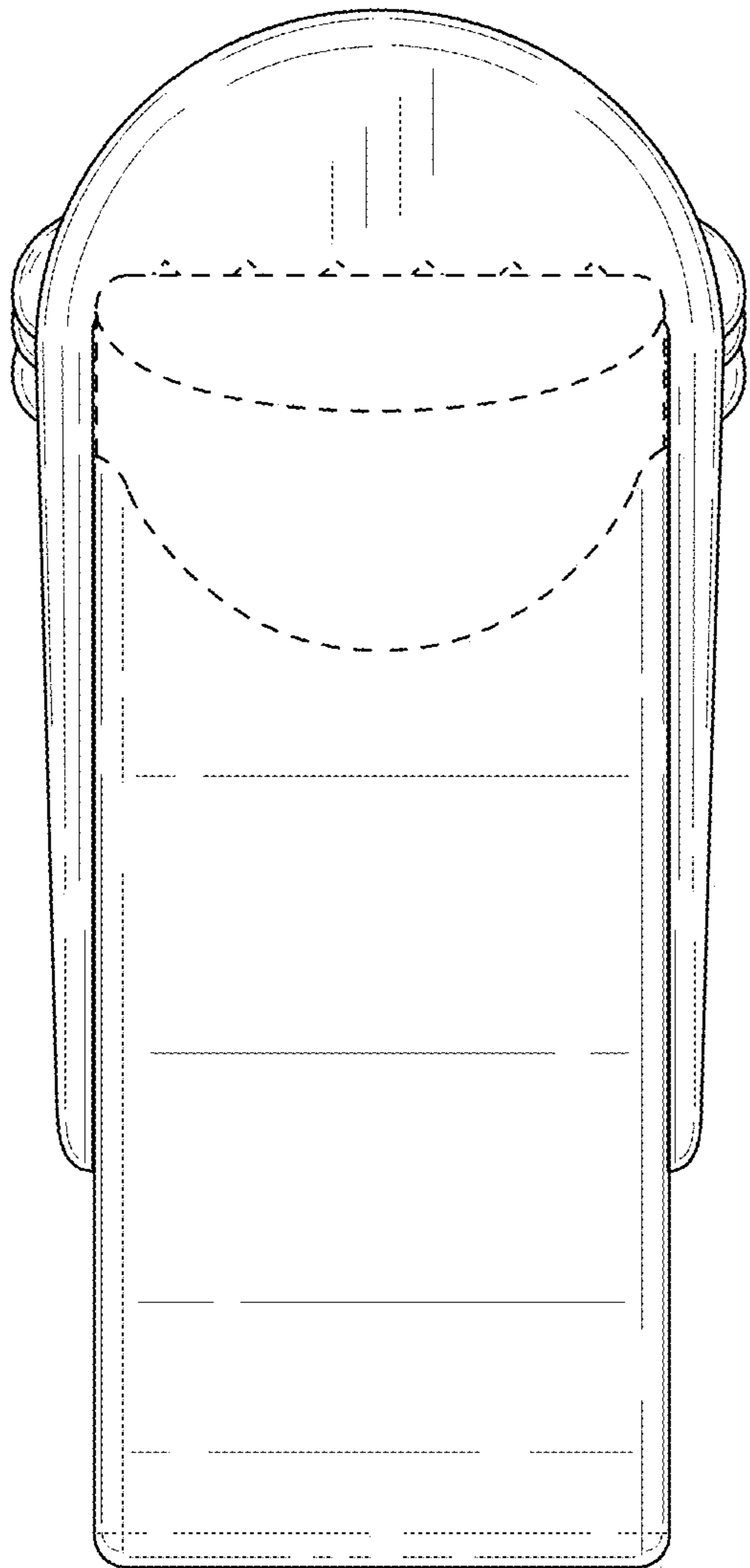


FIG. 6

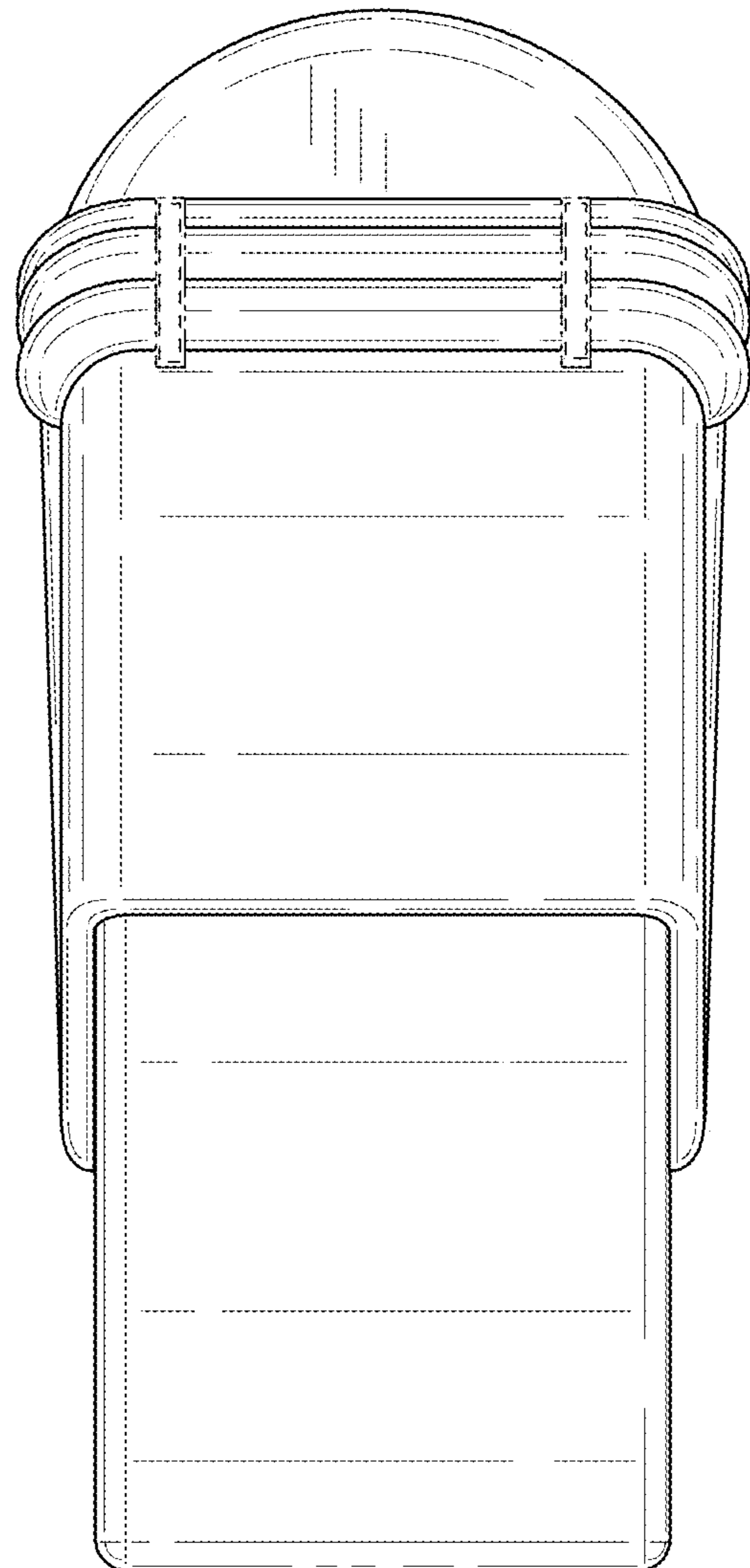


FIG. 7

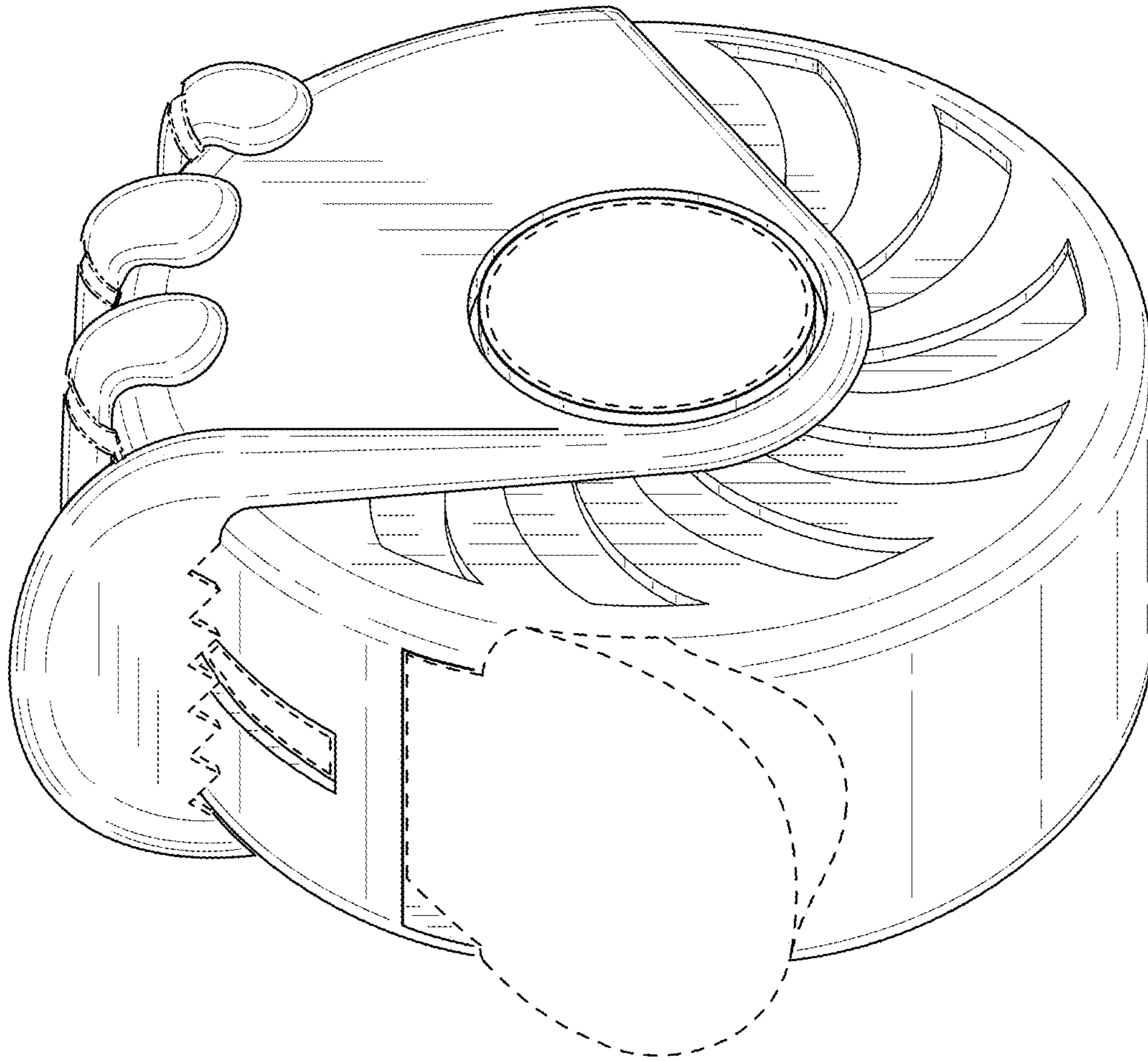


FIG. 8

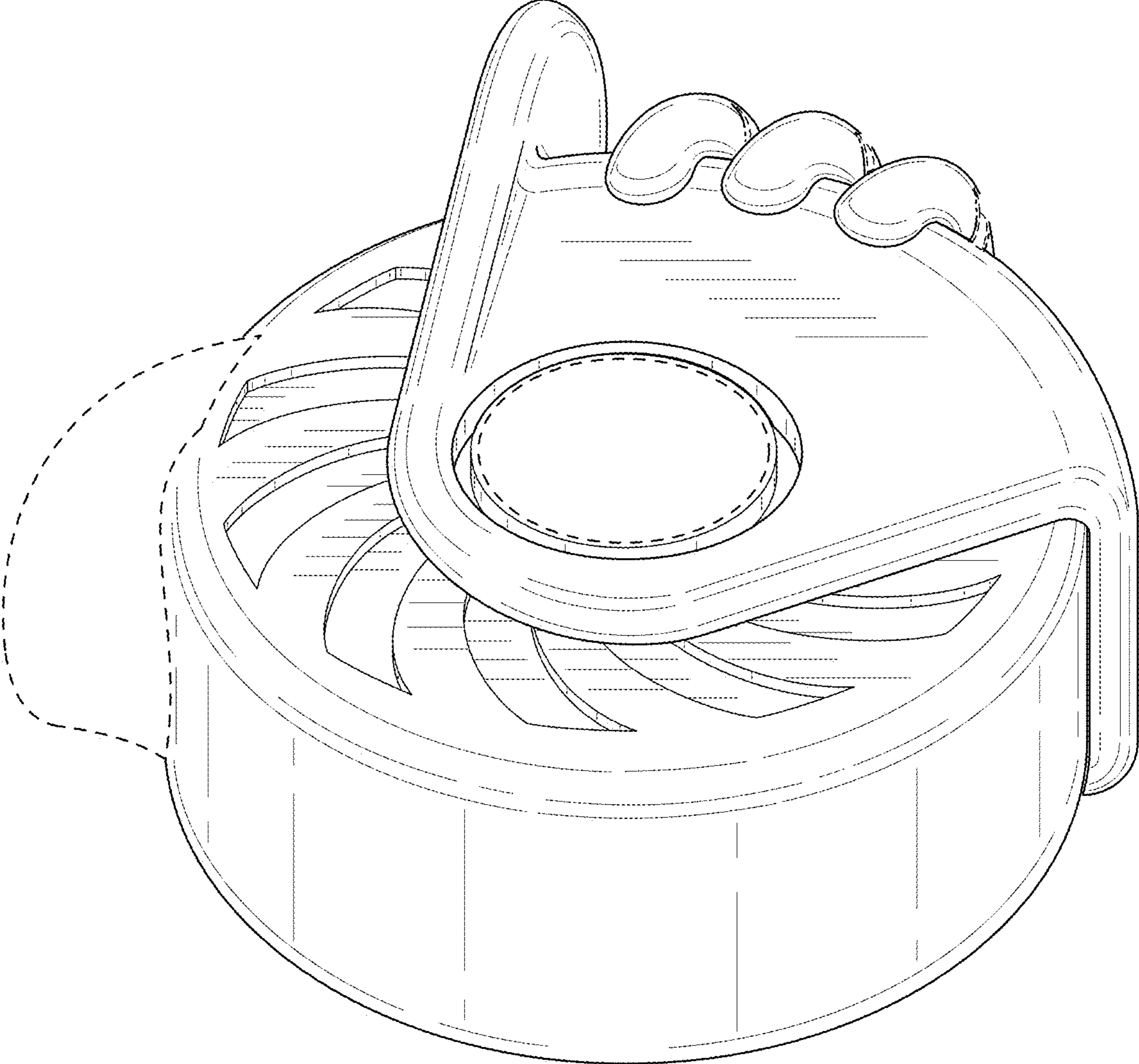


FIG. 9

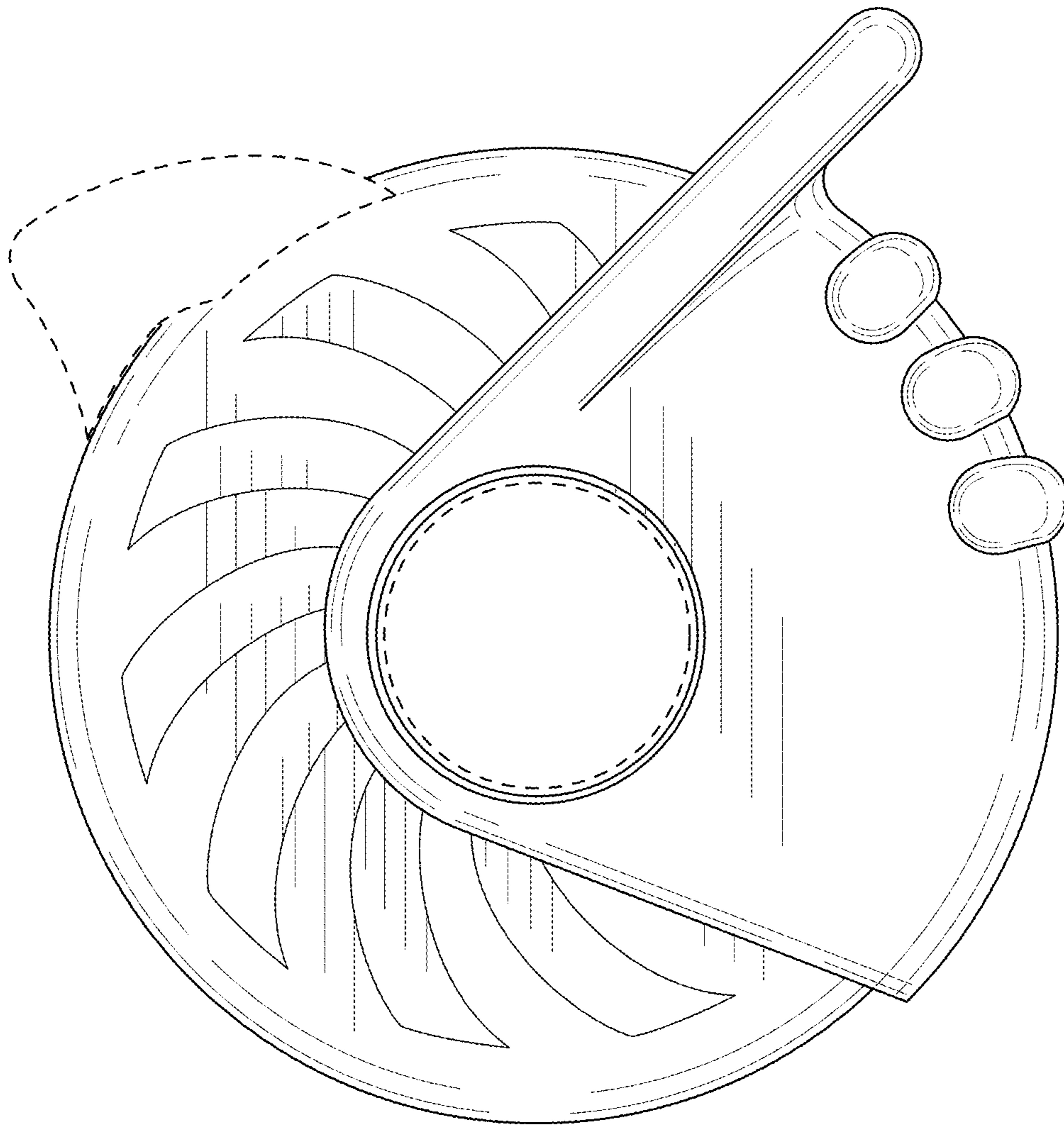


FIG. 10

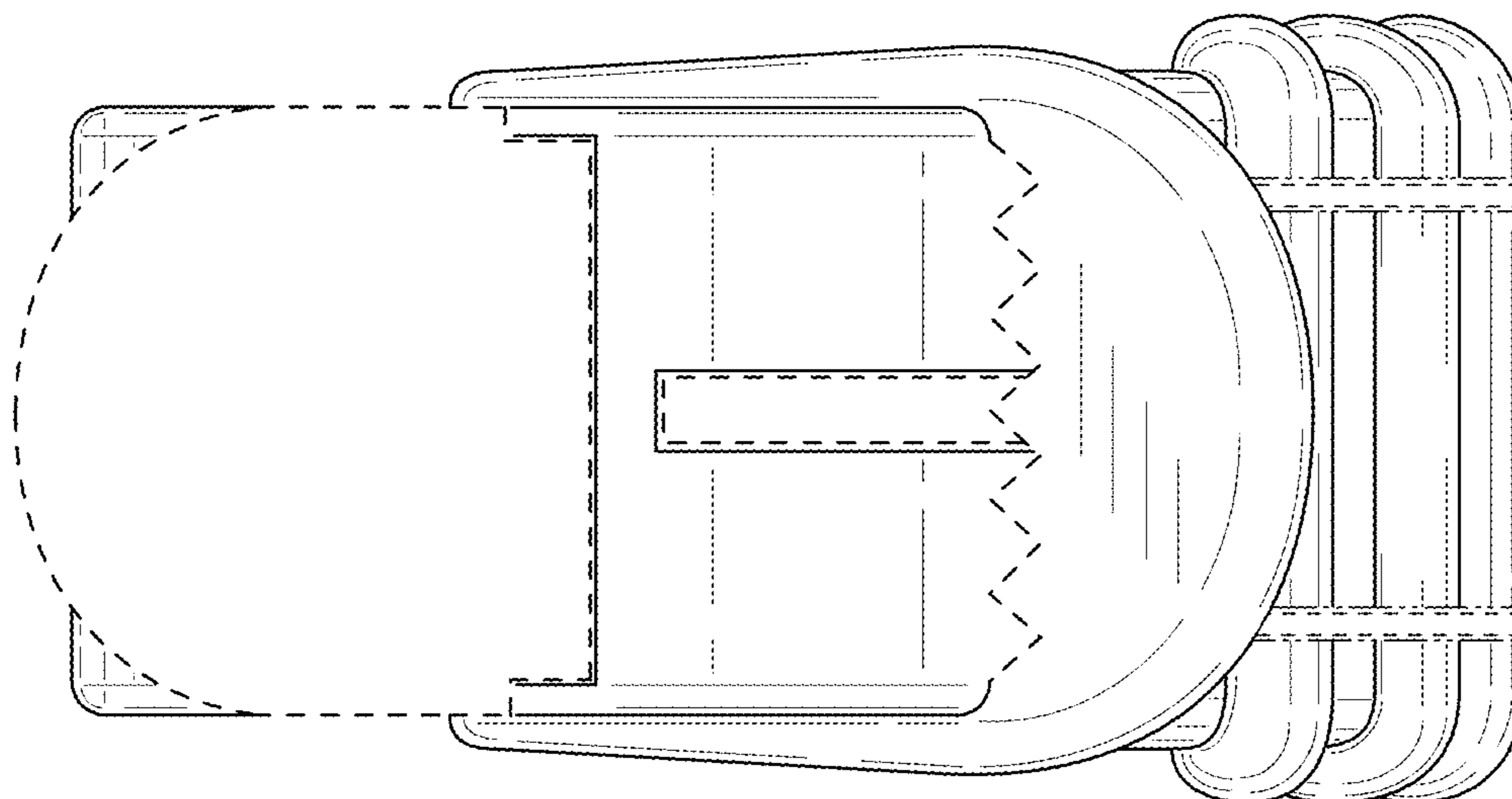


FIG. 11

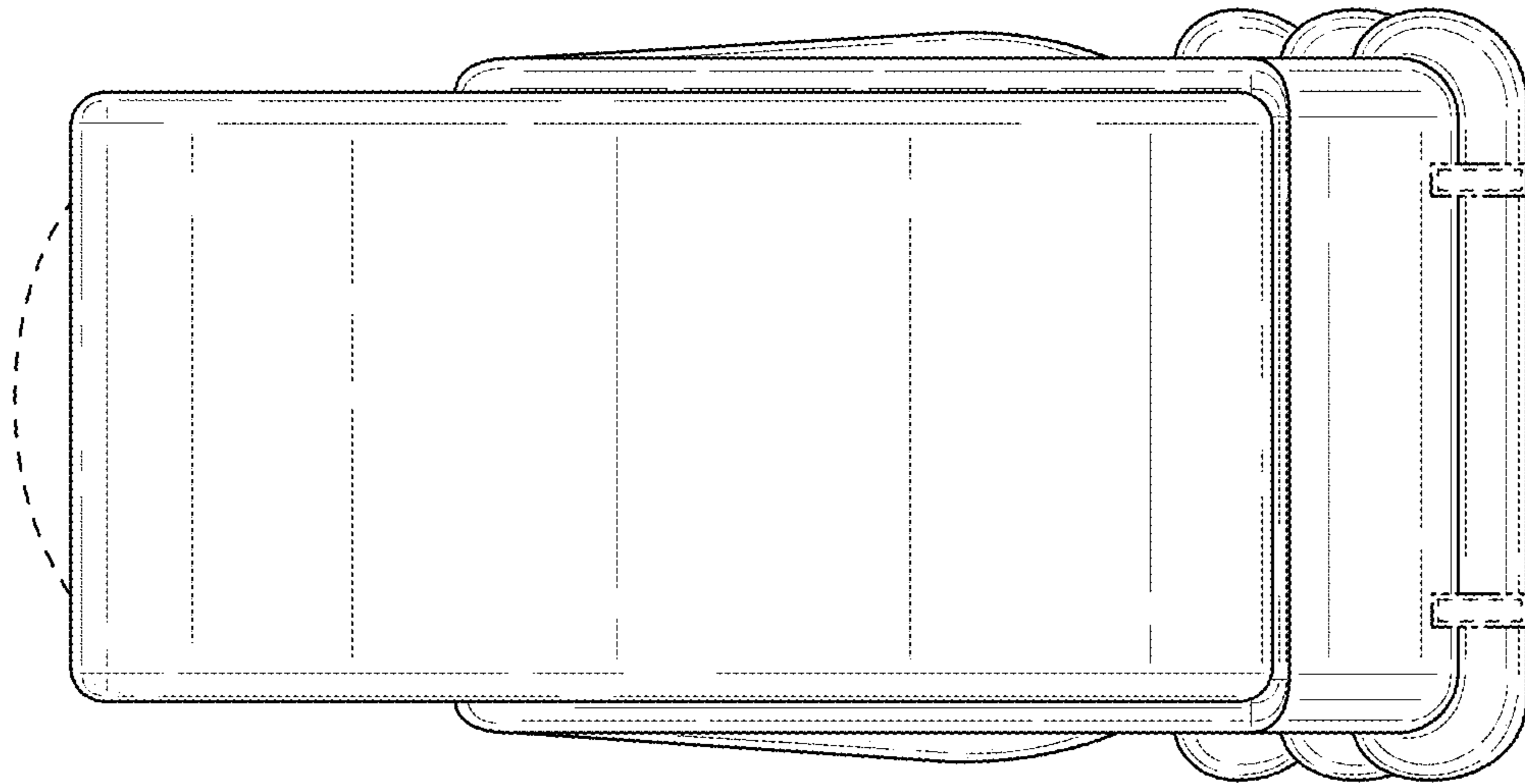


FIG. 12

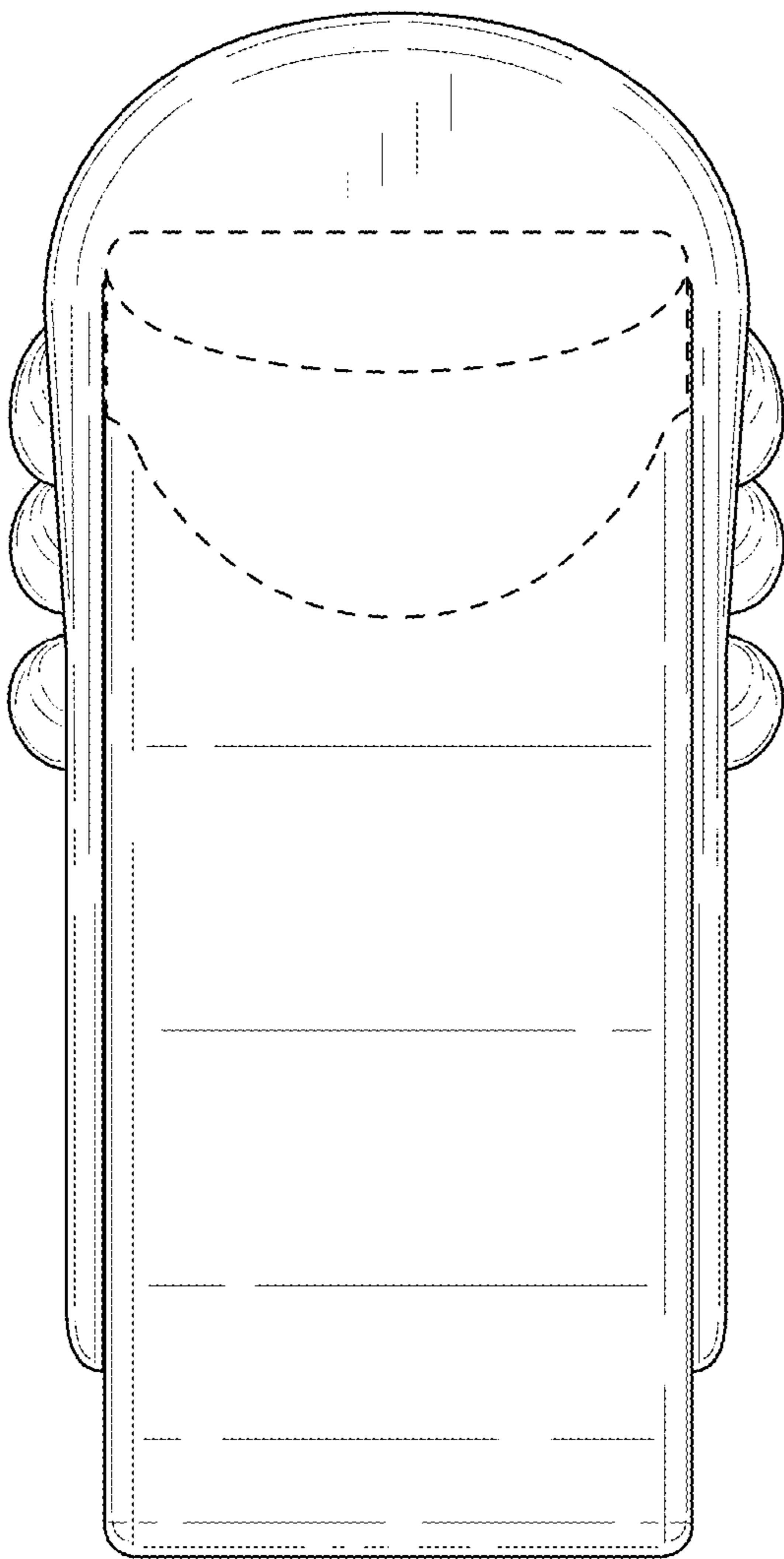


FIG. 13

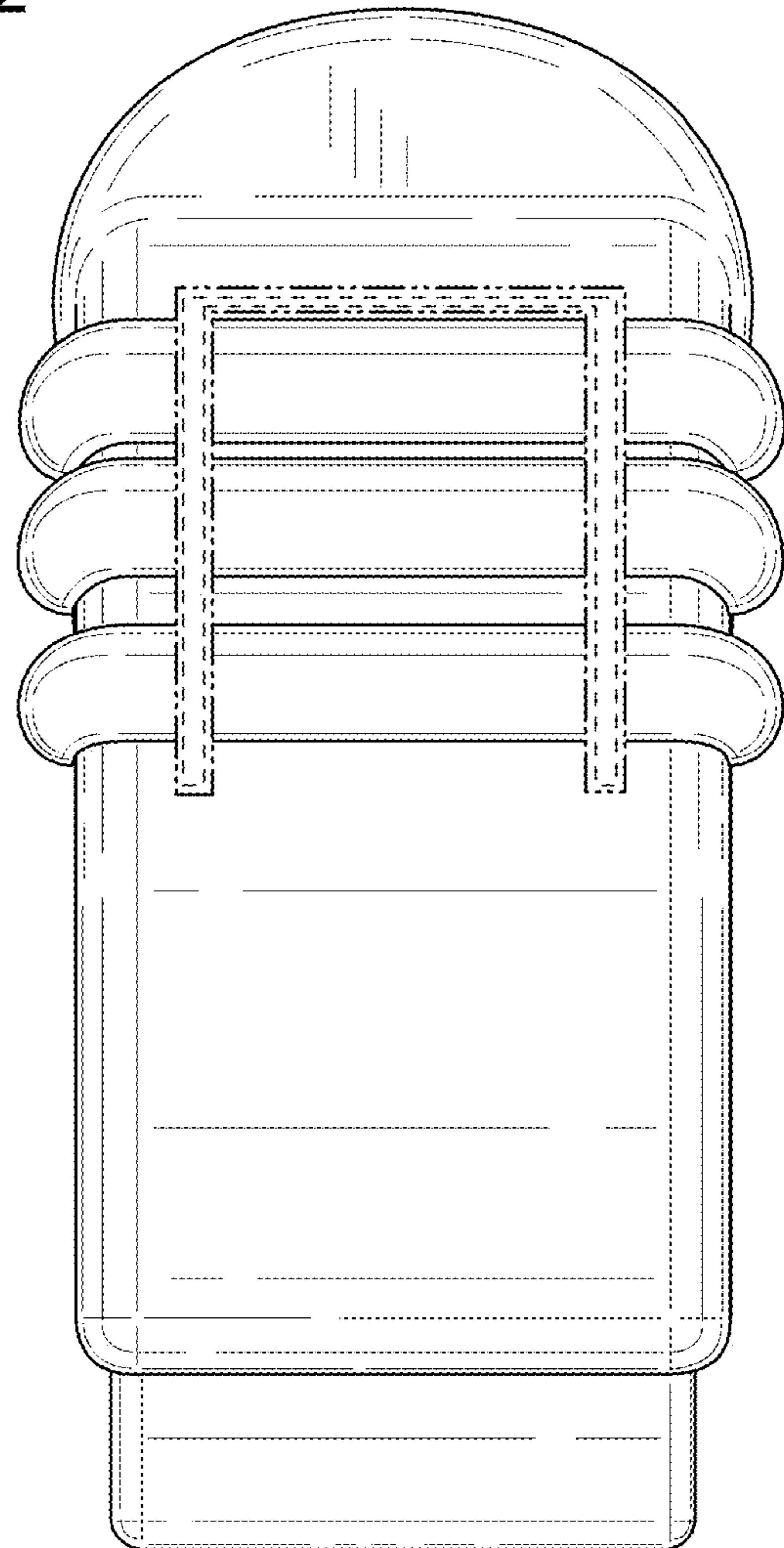


FIG. 14