



US00D885846S

(12) **United States Design Patent**  
**Woodall**

(10) **Patent No.:** **US D885,846 S**

(45) **Date of Patent:** **\*\* Jun. 2, 2020**

- (54) **SECTIONAL DRINK COOLER**
- (71) Applicant: **Lawrence Woodall**, Georgetown, KY (US)
- (72) Inventor: **Lawrence Woodall**, Georgetown, KY (US)
- (\*\*) Term: **15 Years**
- (21) Appl. No.: **29/674,793**
- (22) Filed: **Dec. 26, 2018**
- (51) **LOC (12) Cl.** ..... **07-01**
- (52) **U.S. Cl.**  
USPC ..... **D7/605**
- (58) **Field of Classification Search**  
USPC ..... D7/603-608, 629, 630  
CPC ..... A47G 19/027; A45C 11/20; F25D 3/08;  
F25D 3/14; F25D 2331/804; F25D 31/00;  
F25D 31/002; F25D 31/006; F25D 31/007; F25D 31/008; B65D 81/38;  
B65D 81/18; B67D 3/00; A01K 97/05;  
A01K 97/22  
See application file for complete search history.

3,751,845 A *	8/1973	van Leeuwen	.....	A01K 97/05
				43/56
5,395,011 A *	3/1995	Kennedy	.....	B67D 3/00
				221/150 R
D369,525 S *	5/1996	Winters	.....	D7/608
D396,749 S *	8/1998	Ortiz	.....	D3/284
D639,612 S *	6/2011	Huang	.....	D7/608
D671,372 S *	11/2012	Zou	.....	D7/608
2009/0126394 A1 *	5/2009	Krog	.....	F25D 3/08
				62/399

\* cited by examiner

*Primary Examiner* — Terry A Wallace  
(74) *Attorney, Agent, or Firm* — Francis Law Firm PLLC; James M. Francis

(57) **CLAIM**

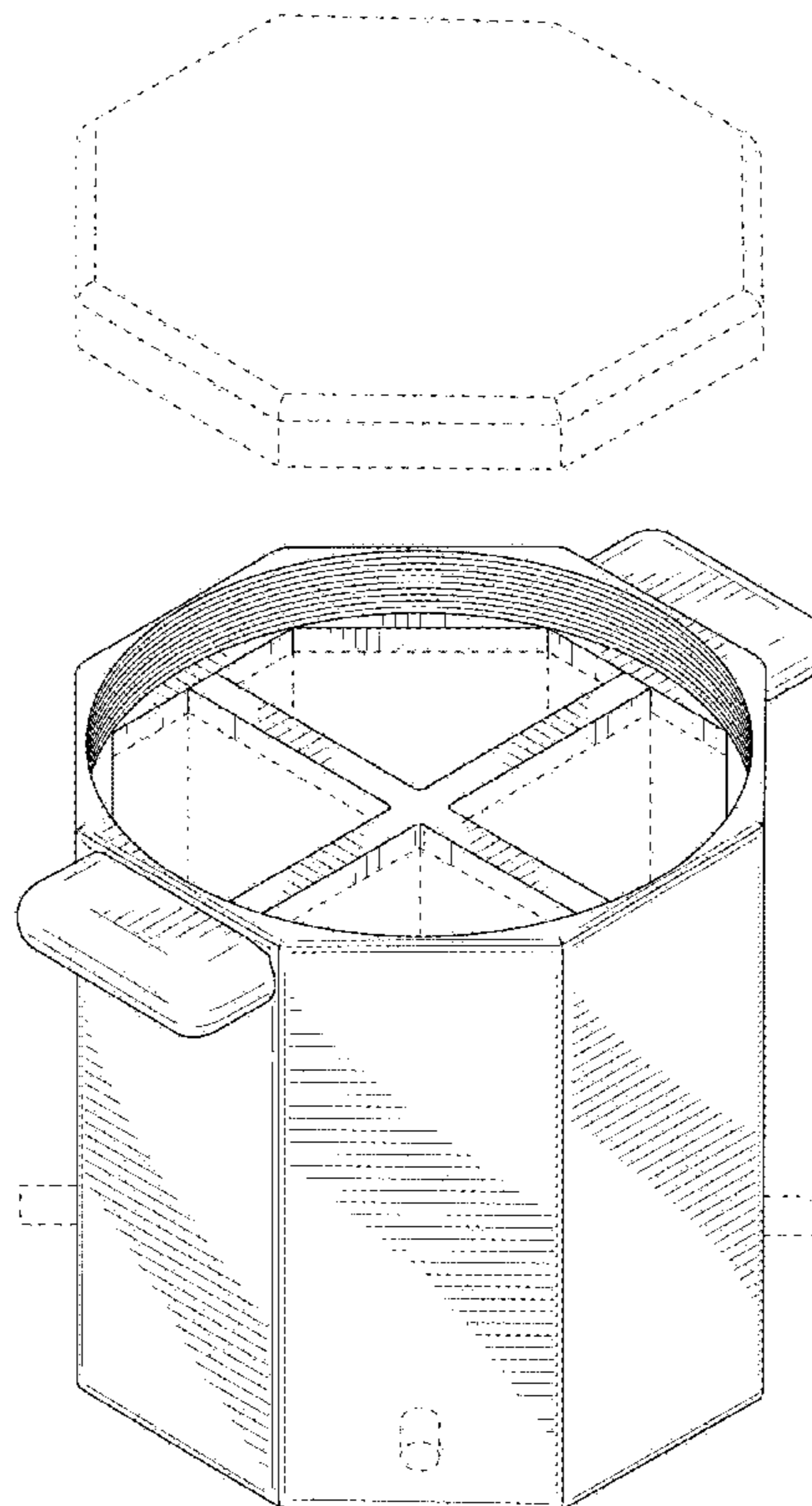
I claim the ornamental design for a sectional drink cooler, as shown and described.

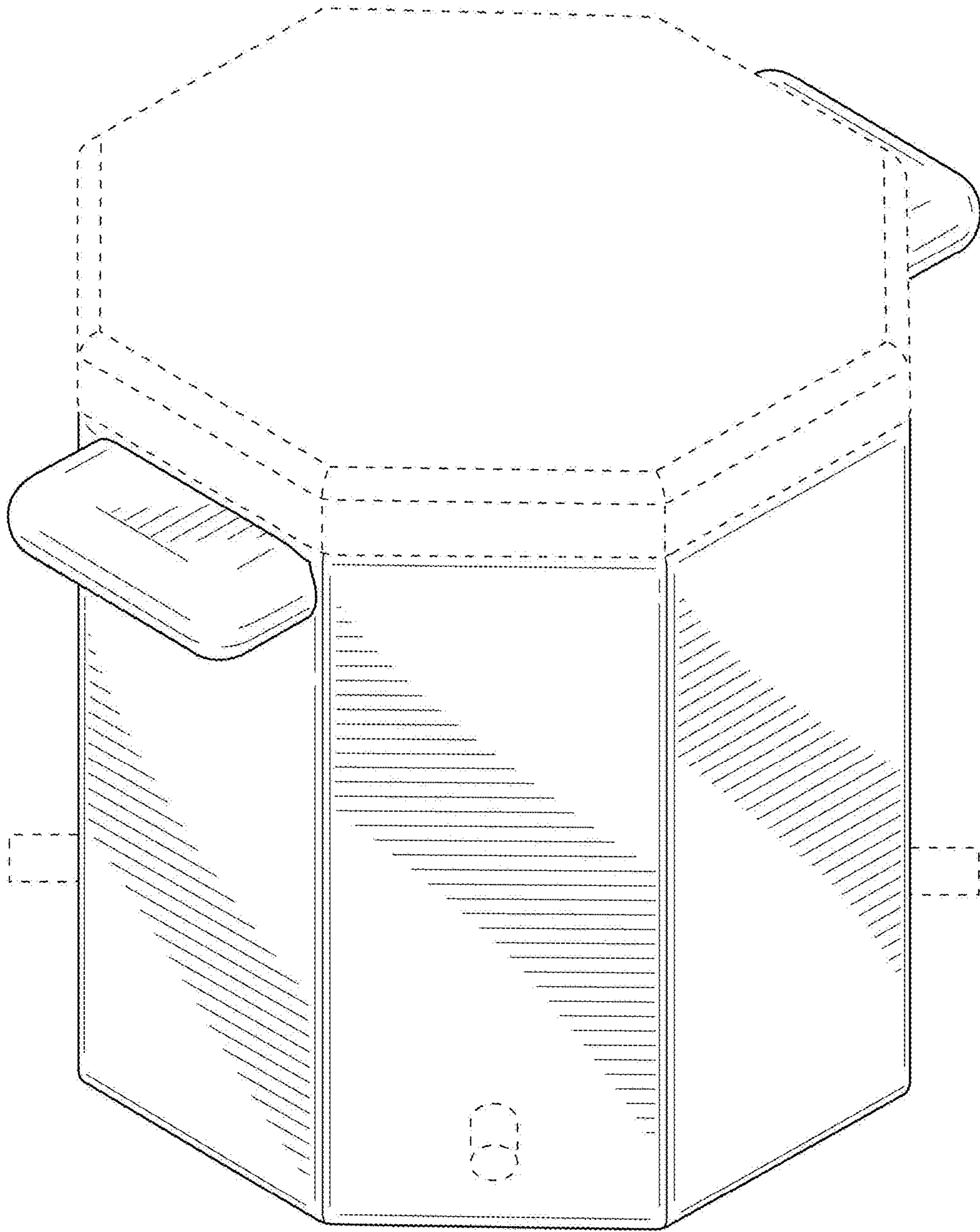
**DESCRIPTION**

FIG. 1 is a left side perspective view of a sectional drink cooler.  
 FIG. 2 is a left side view of a sectional drink cooler.  
 FIG. 3 is a left side of a sectional drink cooler.  
 FIG. 4 is a right side view of a sectional drink cooler.  
 FIG. 5 is a posterior view of a sectional drink cooler.  
 FIG. 6 is an anterior view of a sectional drink cooler.  
 FIG. 7 is a top view of a sectional drink cooler; and,  
 FIG. 8 is a bottom view of a sectional drink cooler.  
 The broken lines are for illustrative purposes only and form no part of the claimed design.

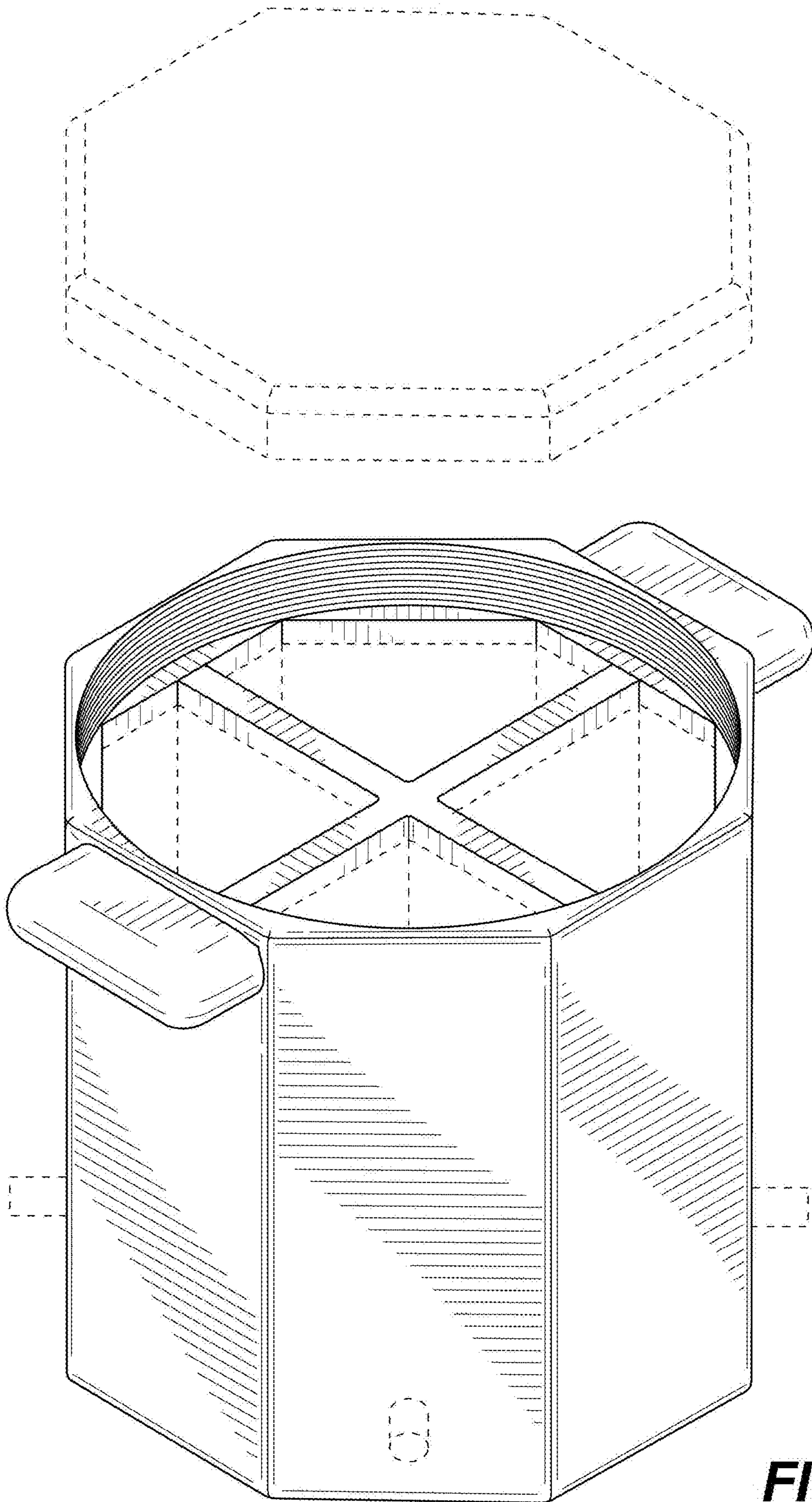
**1 Claim, 8 Drawing Sheets**

- (56) **References Cited**  
U.S. PATENT DOCUMENTS  
2,919,169 A \* 12/1959 Jackson ..... A01K 97/22  
312/235.2  
3,182,884 A \* 5/1965 Waldron ..... B65D 81/18  
220/23.88



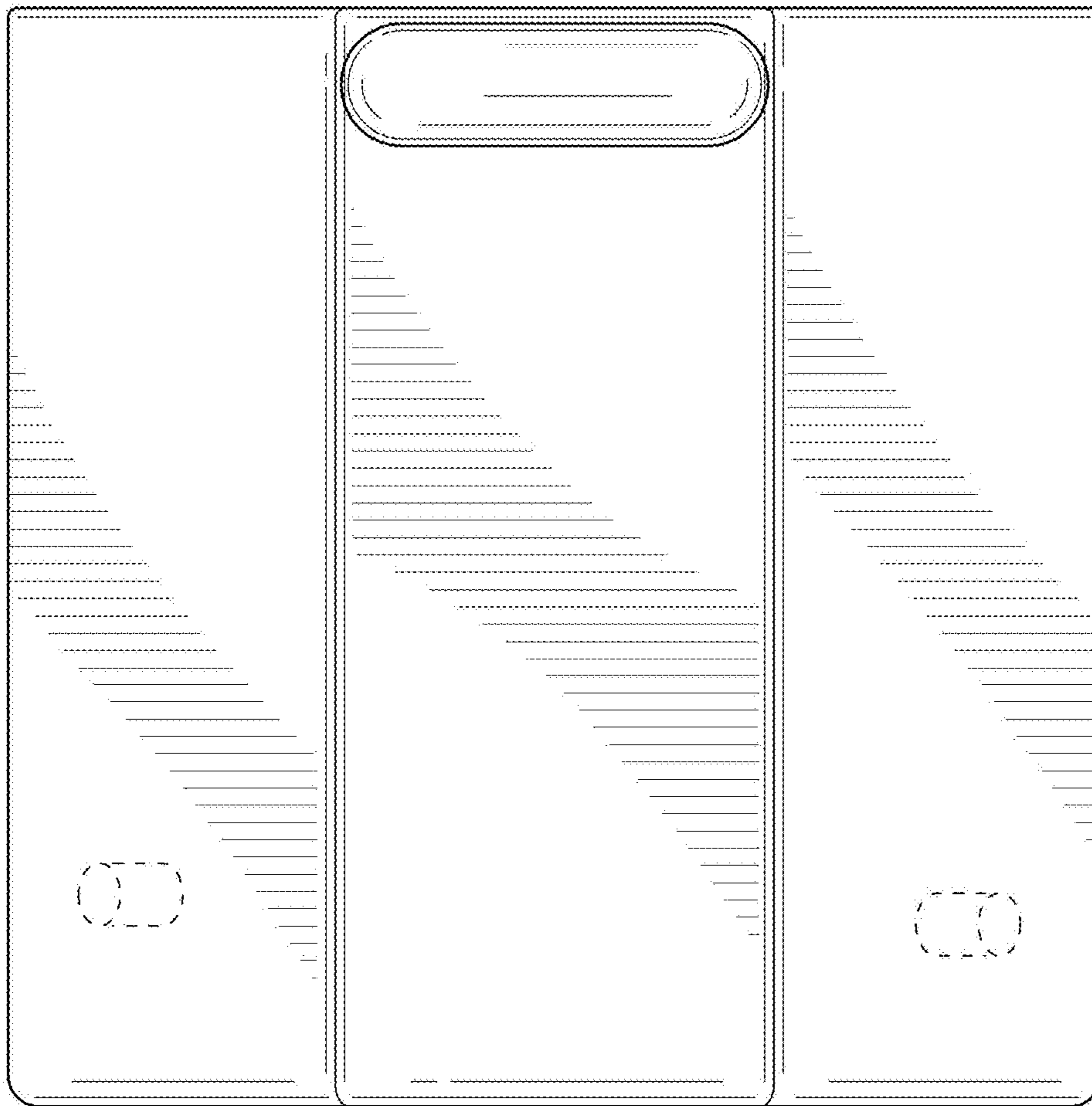


**FIG. 1**

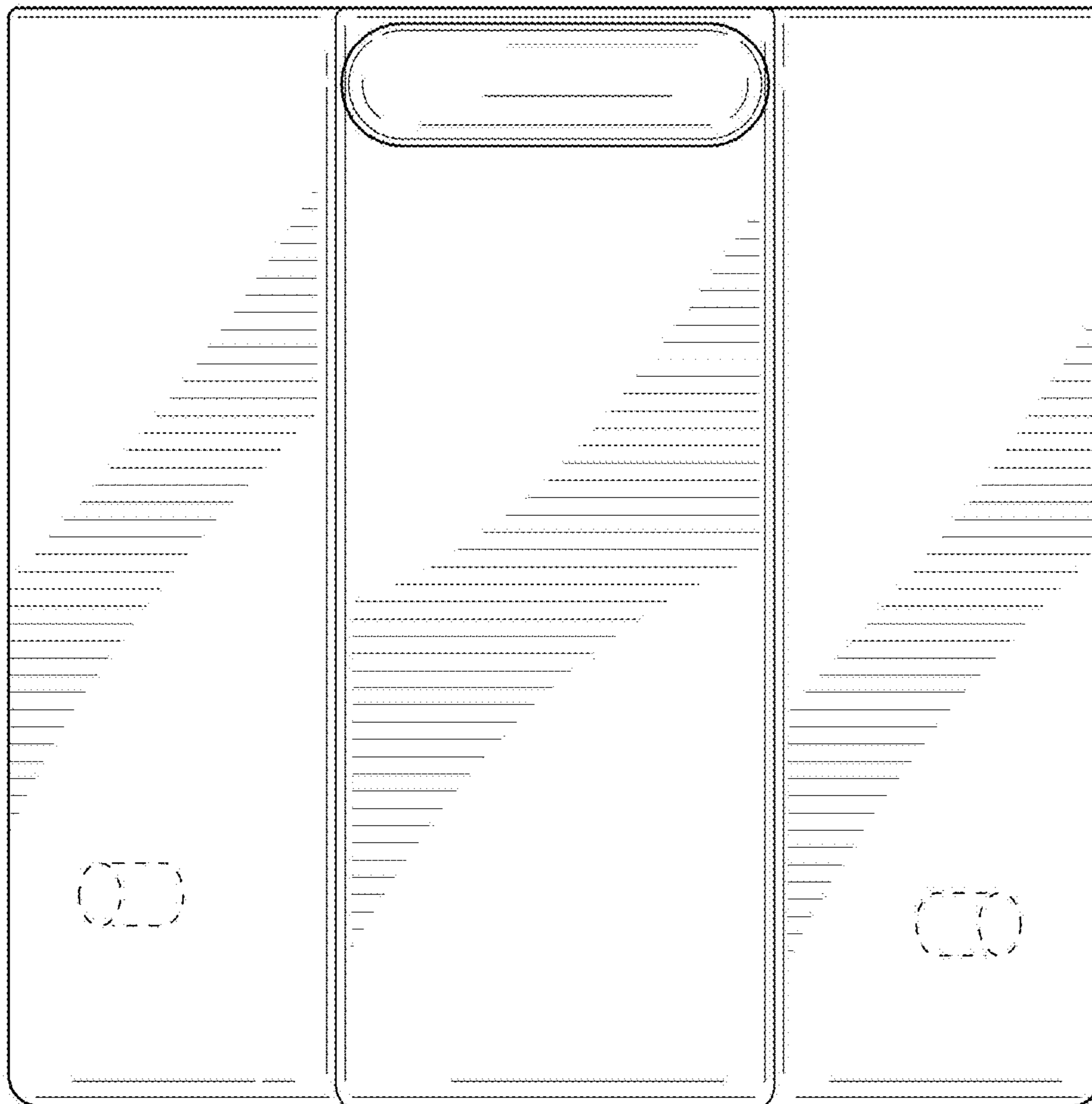


**FIG. 2**

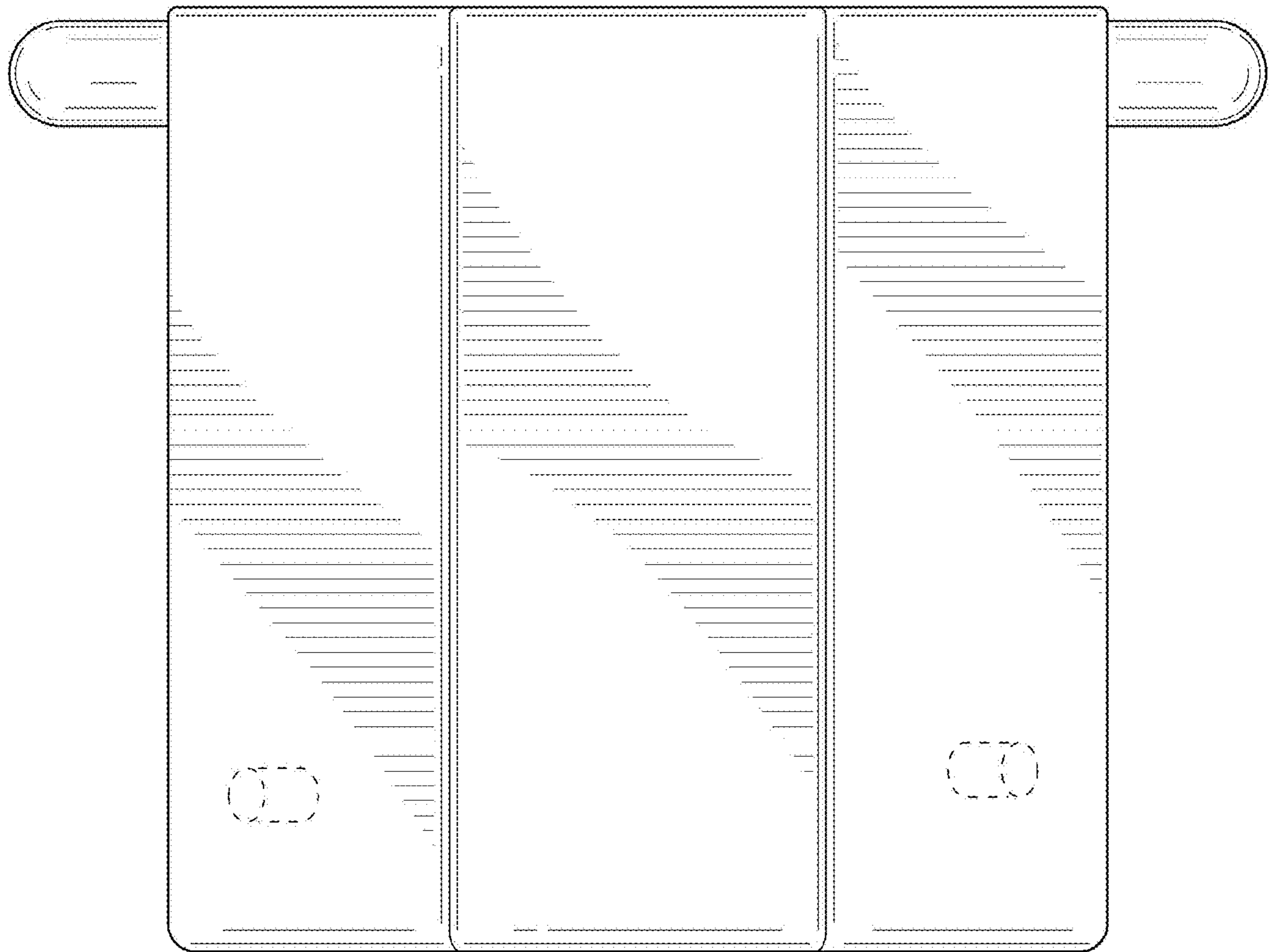




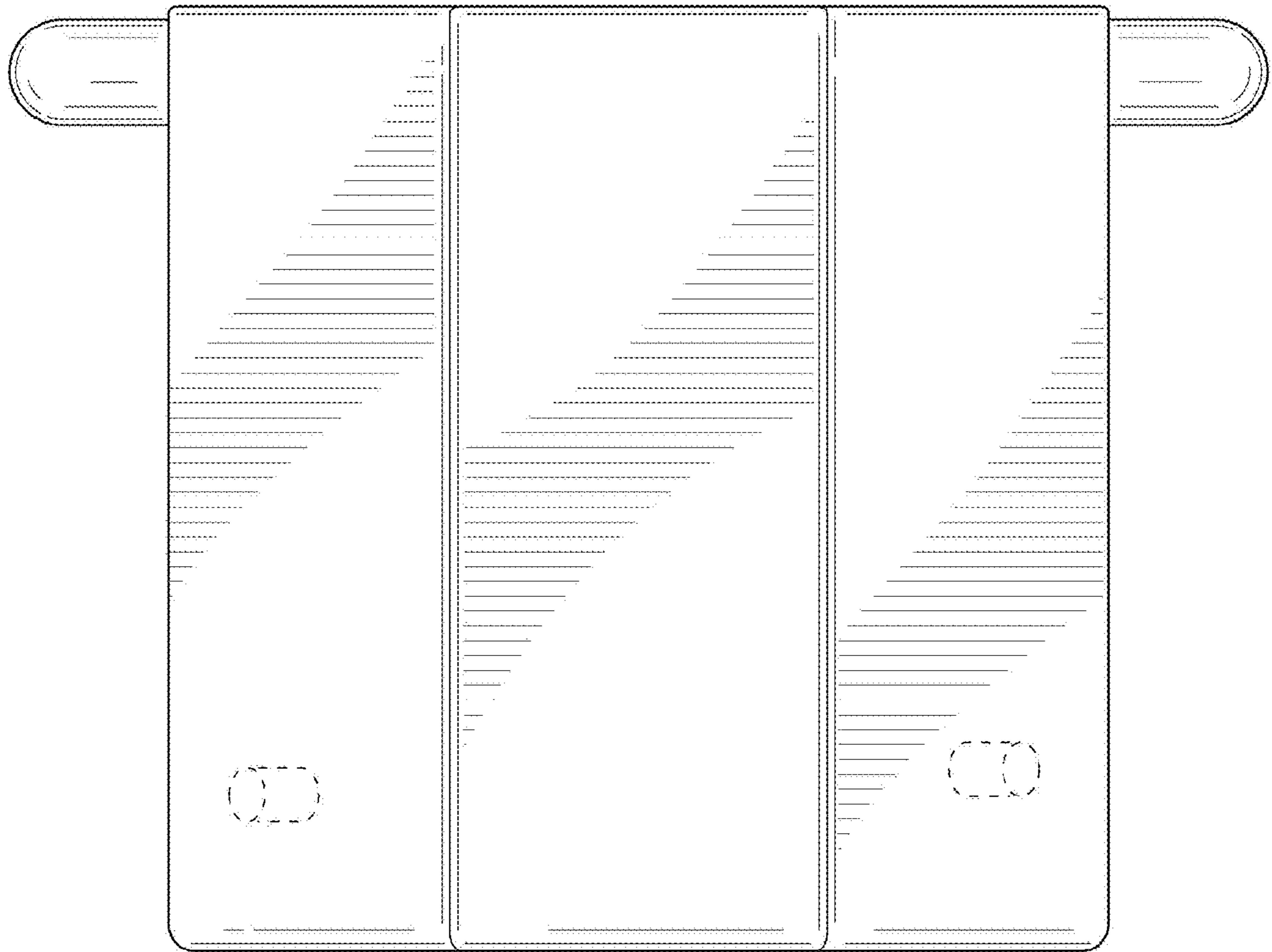
**FIG. 3**



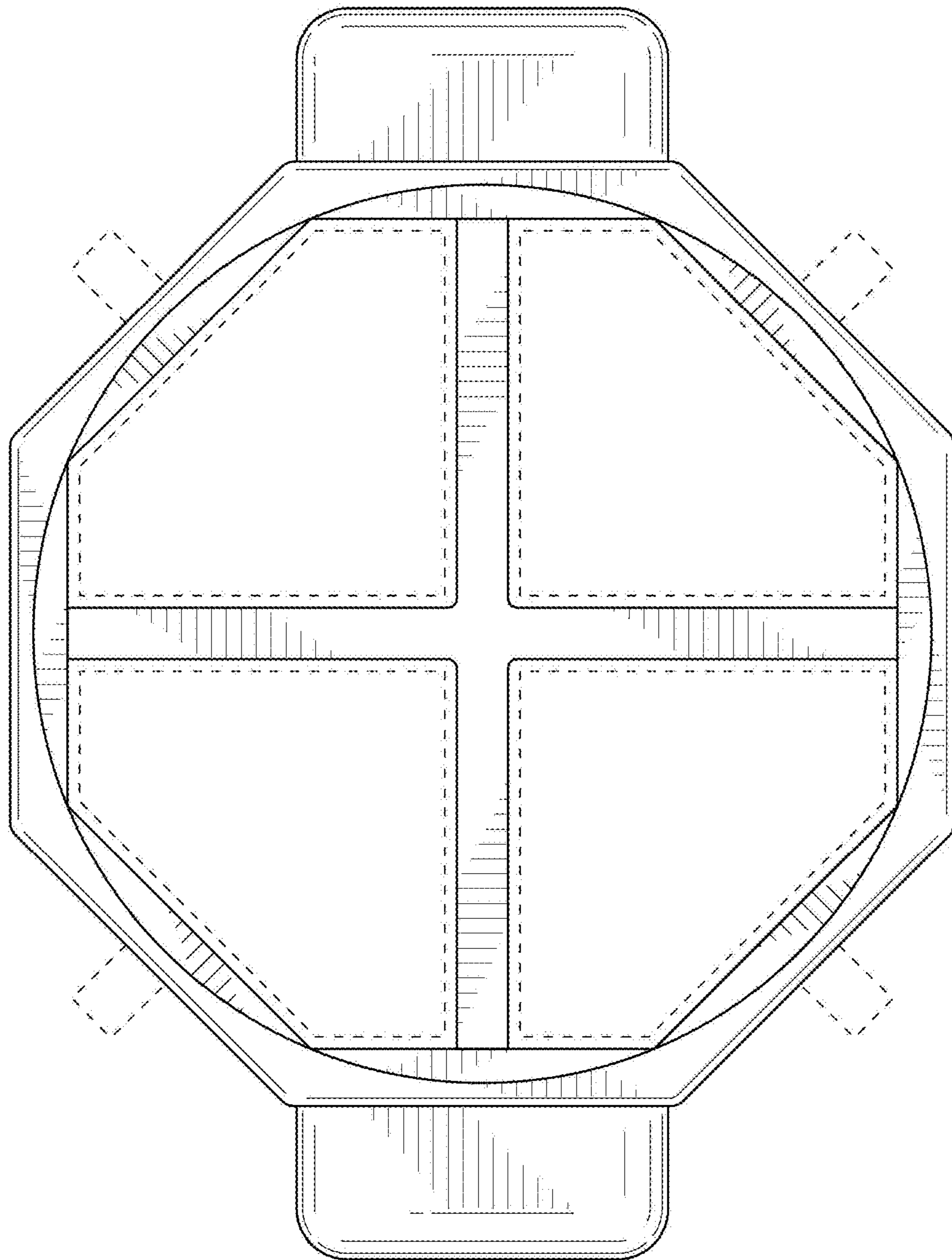
**FIG. 4**



**FIG. 5**

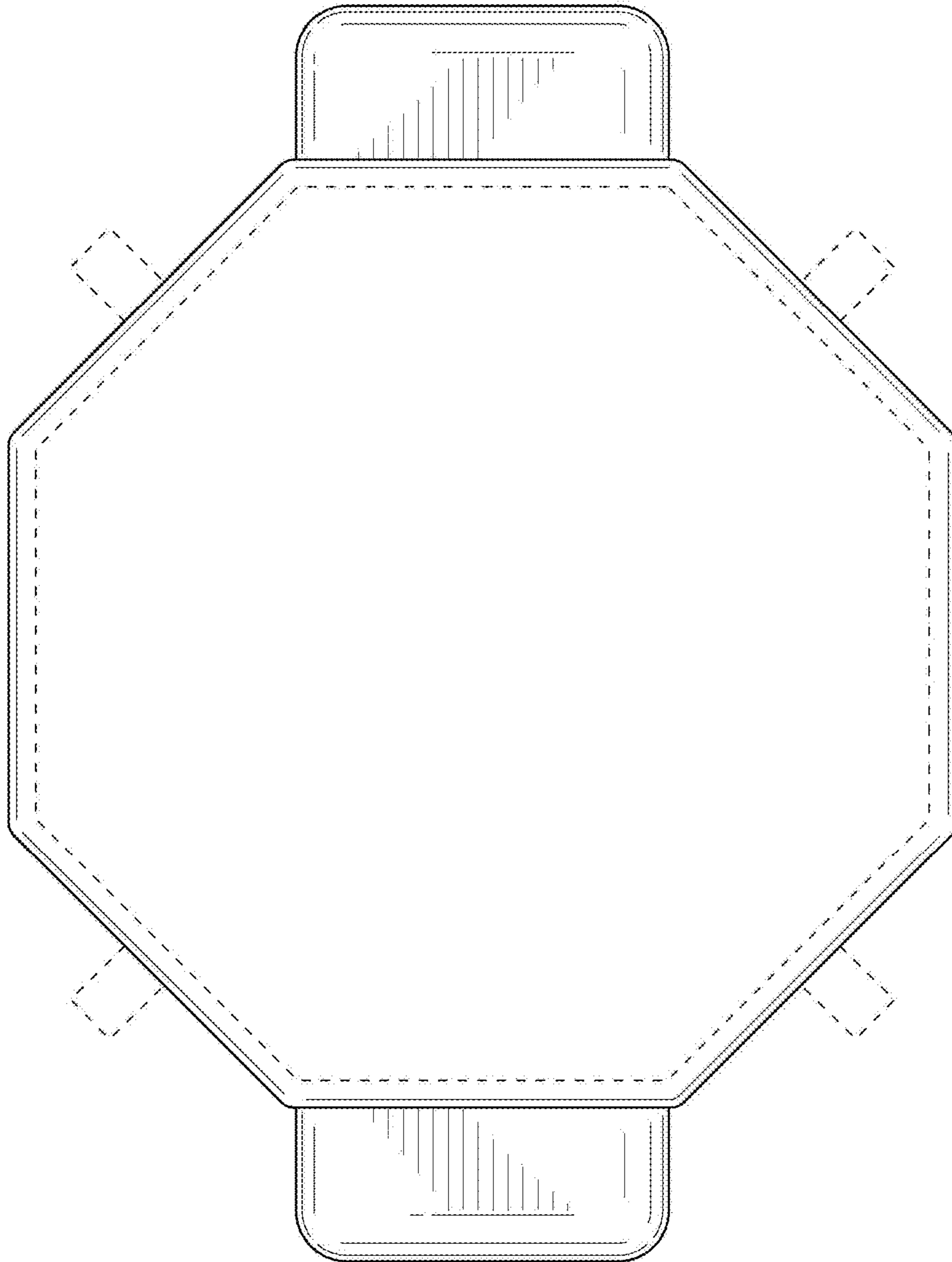


**FIG. 6**



**FIG. 7**





**FIG. 8**