



US00D885845S

(12) **United States Design Patent**
Baez

(10) **Patent No.:** **US D885,845 S**
(45) **Date of Patent:** **** Jun. 2, 2020**

(54) **ICE BUCKET WITH HANDLE** 7,954,830 B2 * 6/2011 Begin B62B 3/04
280/47.35
(71) Applicant: **CAMBRO MANUFACTURING** 9,150,234 B2 * 10/2015 Beaver B62B 3/02
COMPANY, Huntington Beach, CA 9,417,002 B2 * 8/2016 Carlson B65D 25/32
(US)
* cited by examiner

(72) Inventor: **Jorge Baez, Lake Forest, CA (US)** *Primary Examiner* — Terry A Wallace

(**) Term: **15 Years**

(21) Appl. No.: **29/661,596**

(57) **CLAIM**

(22) Filed: **Aug. 29, 2018**

I claim the ornamental design for an ice bucket with handle, as shown and described.

(51) **LOC (12) Cl.** **07-01**

(52) **U.S. Cl.**
USPC **D7/603**

(58) **Field of Classification Search**
USPC D7/603–608; D32/53
CPC F25D 2331/808; F25D 2331/809; F25D 3/08; F25D 3/14; F25D 2303/08; B26B 3/04; B26B 3/02; B65D 25/32
See application file for complete search history.

DESCRIPTION

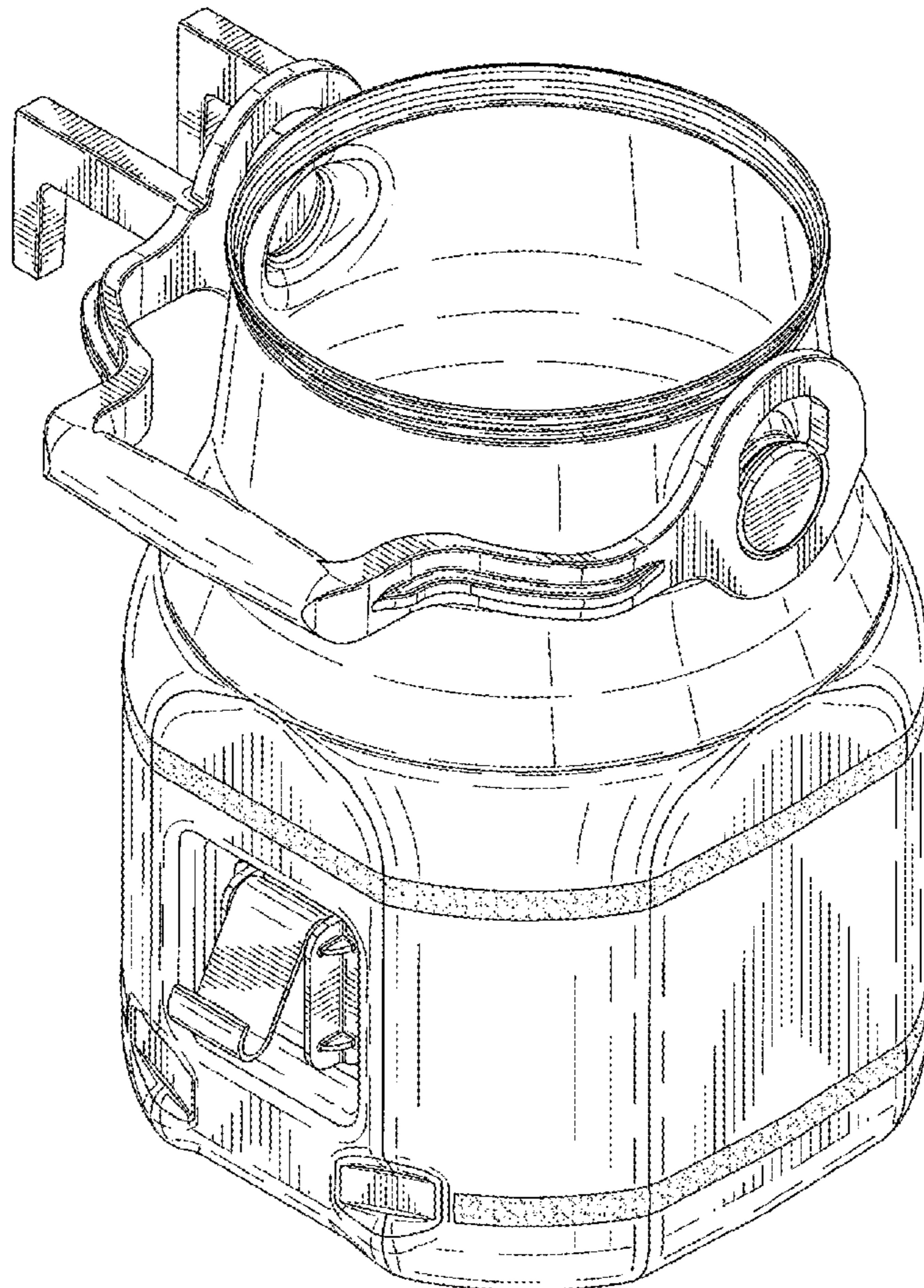
FIG. 1 shows a front perspective view of the ice bucket with handle from the frontal elevation.
FIG. 2 shows a top plan view.
FIG. 3 shows a front elevation view.
FIG. 4 shows a right side elevation view.
FIG. 5 shows a left side elevation view.
FIG. 6 shows a rear elevation view; and,
FIG. 7 shows a bottom plan view.

(56) **References Cited**

U.S. PATENT DOCUMENTS

D476,532 S * 7/2003 Edwards D7/603
D611,307 S * 3/2010 Begin D7/603

1 Claim, 7 Drawing Sheets



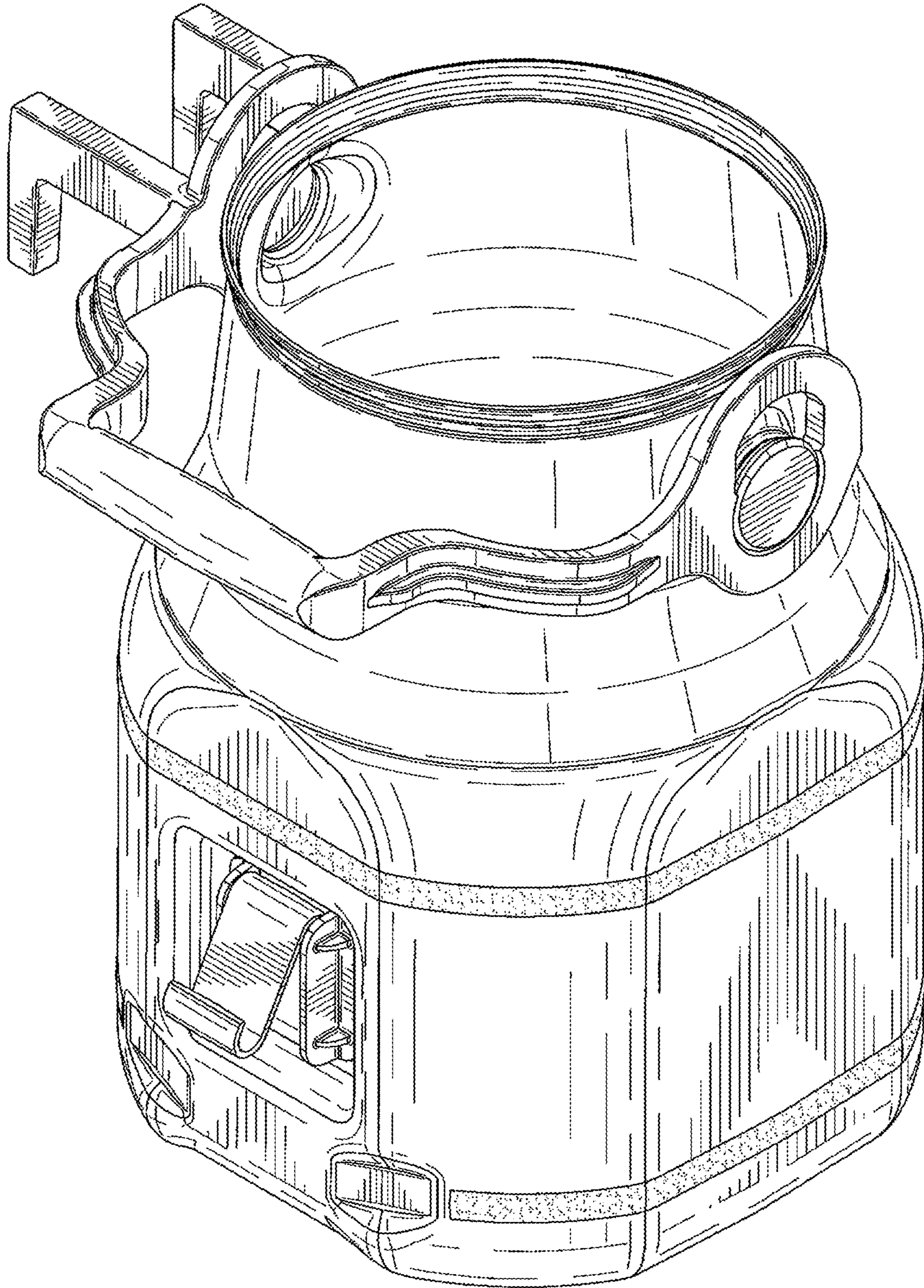


FIG. 1

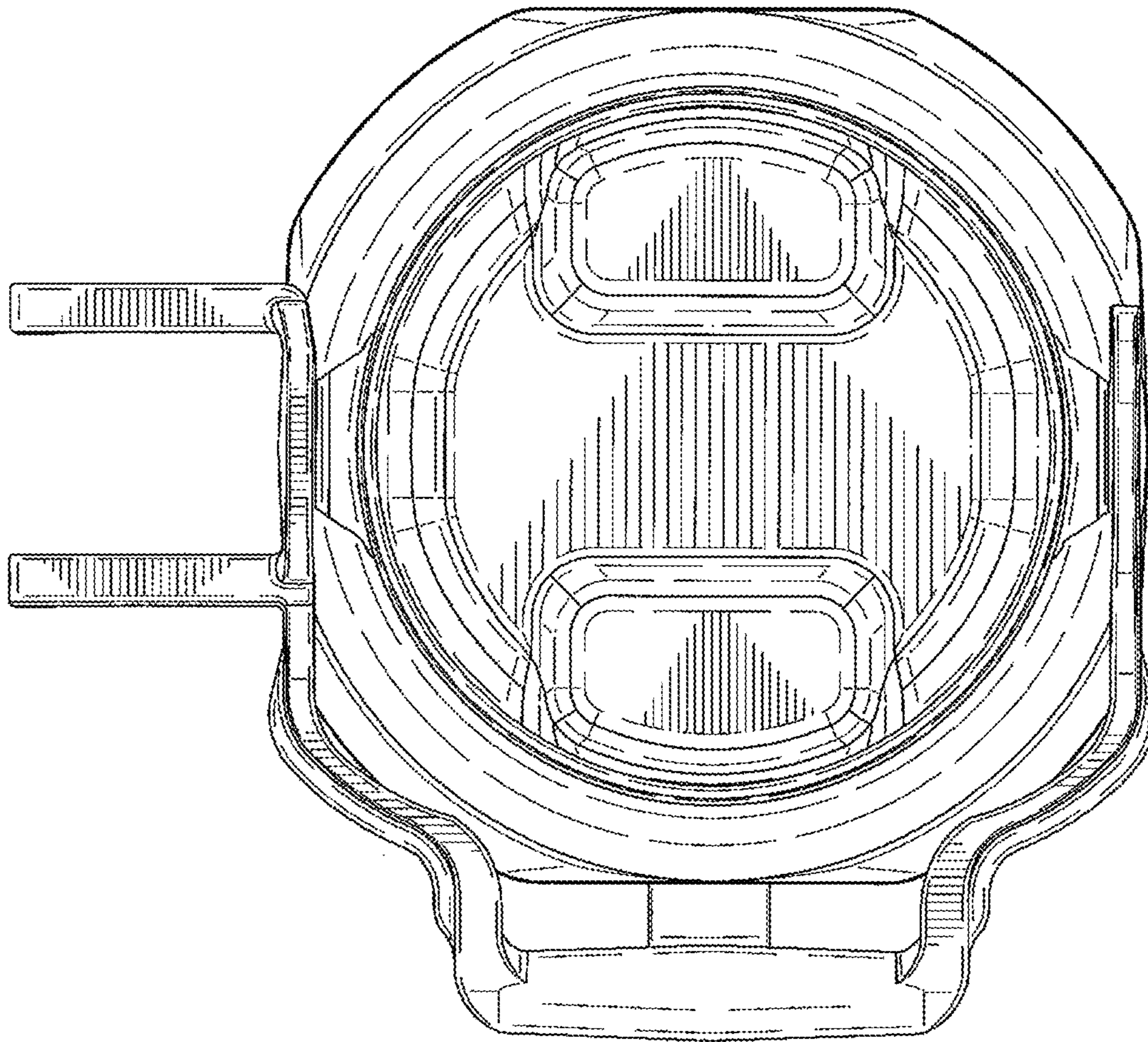


FIG. 2

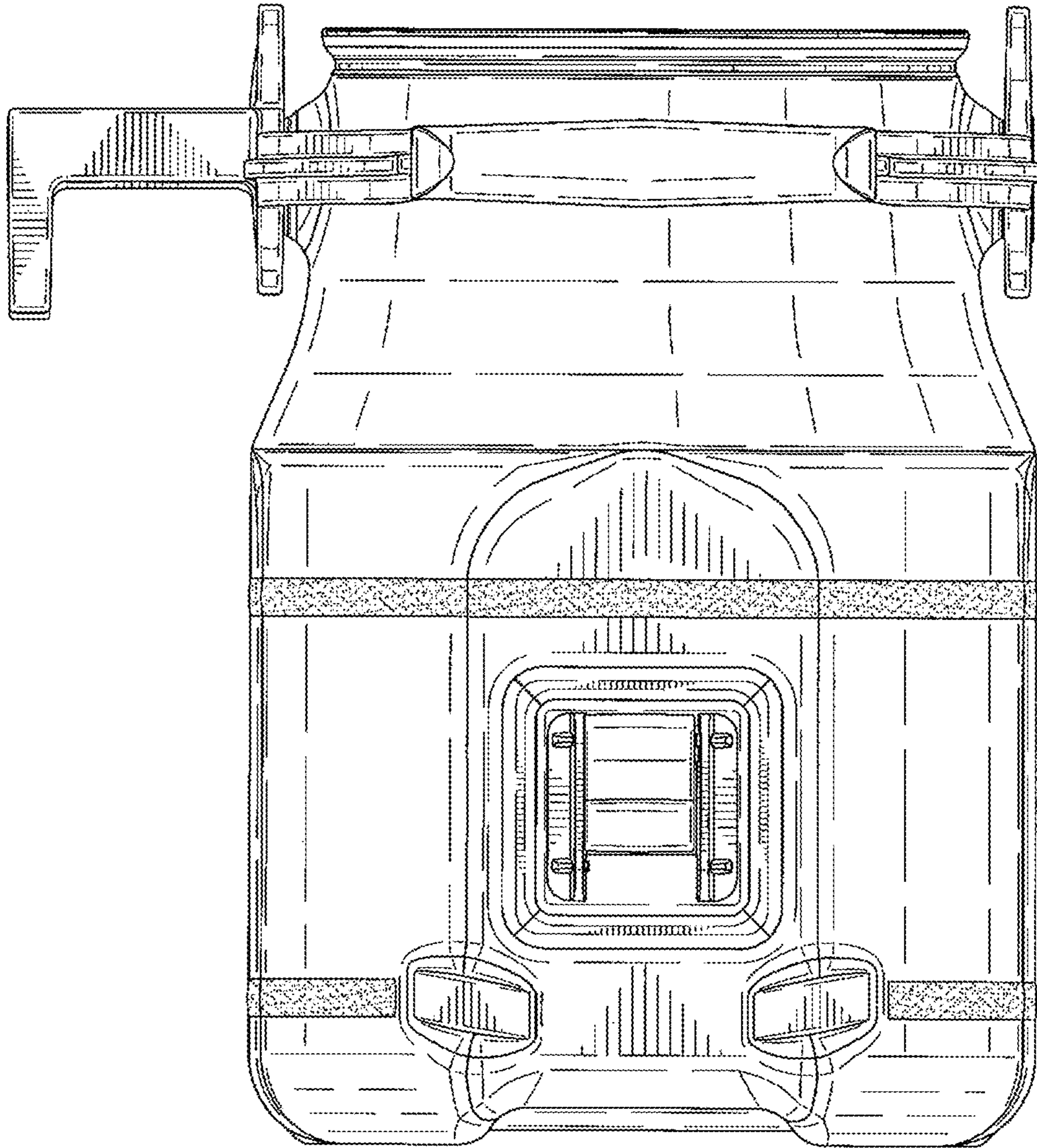


FIG. 3

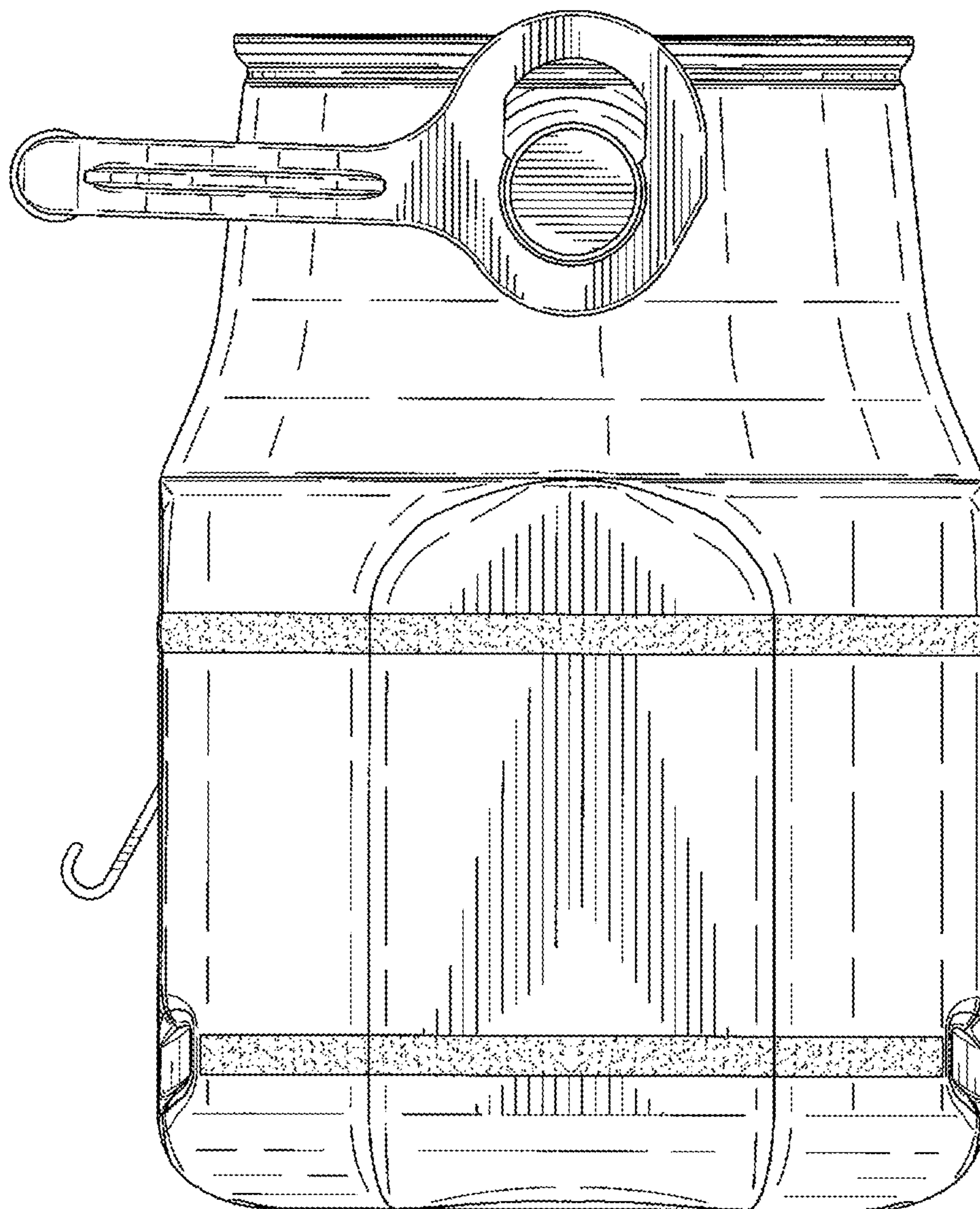


FIG. 4

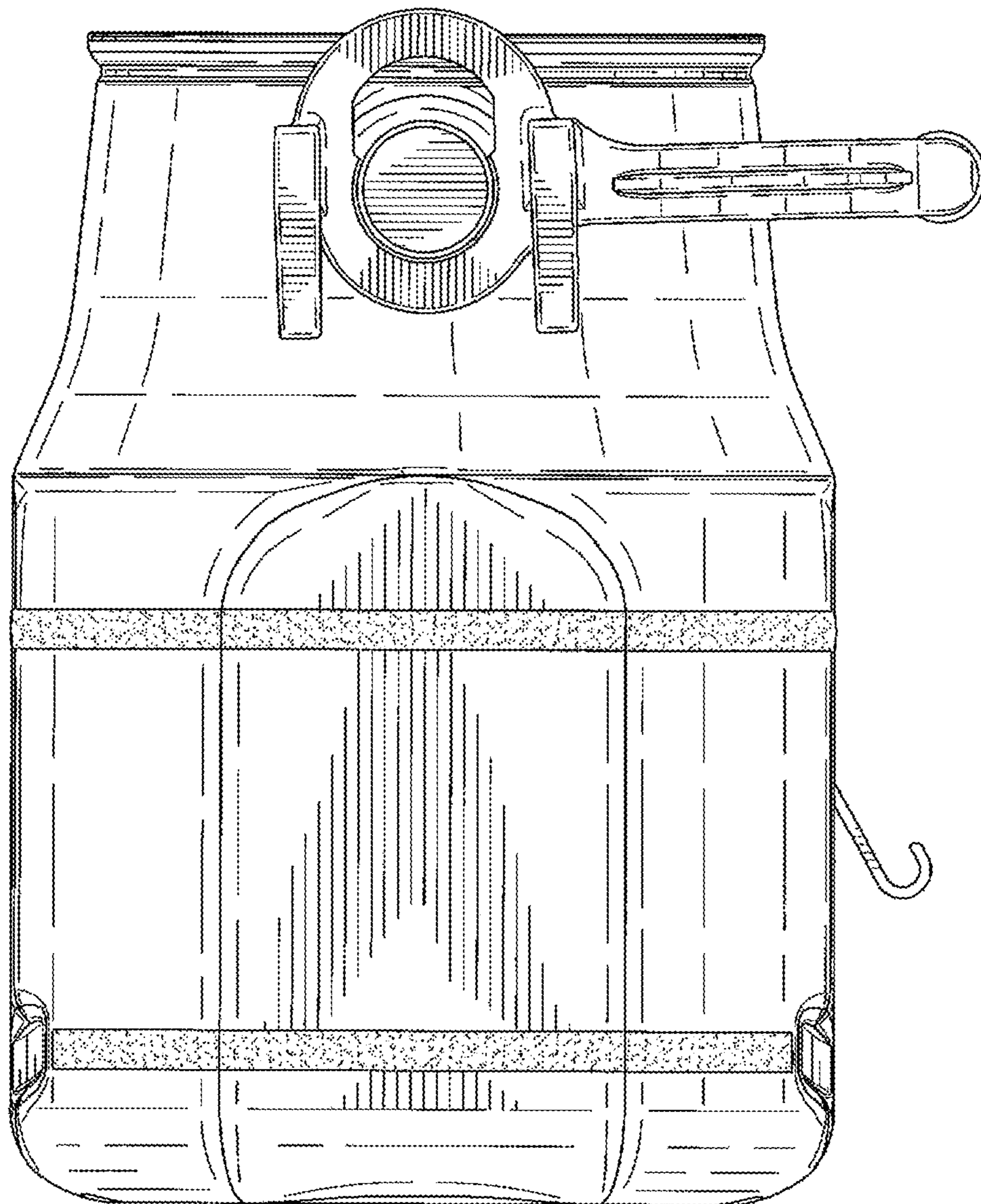


FIG. 5

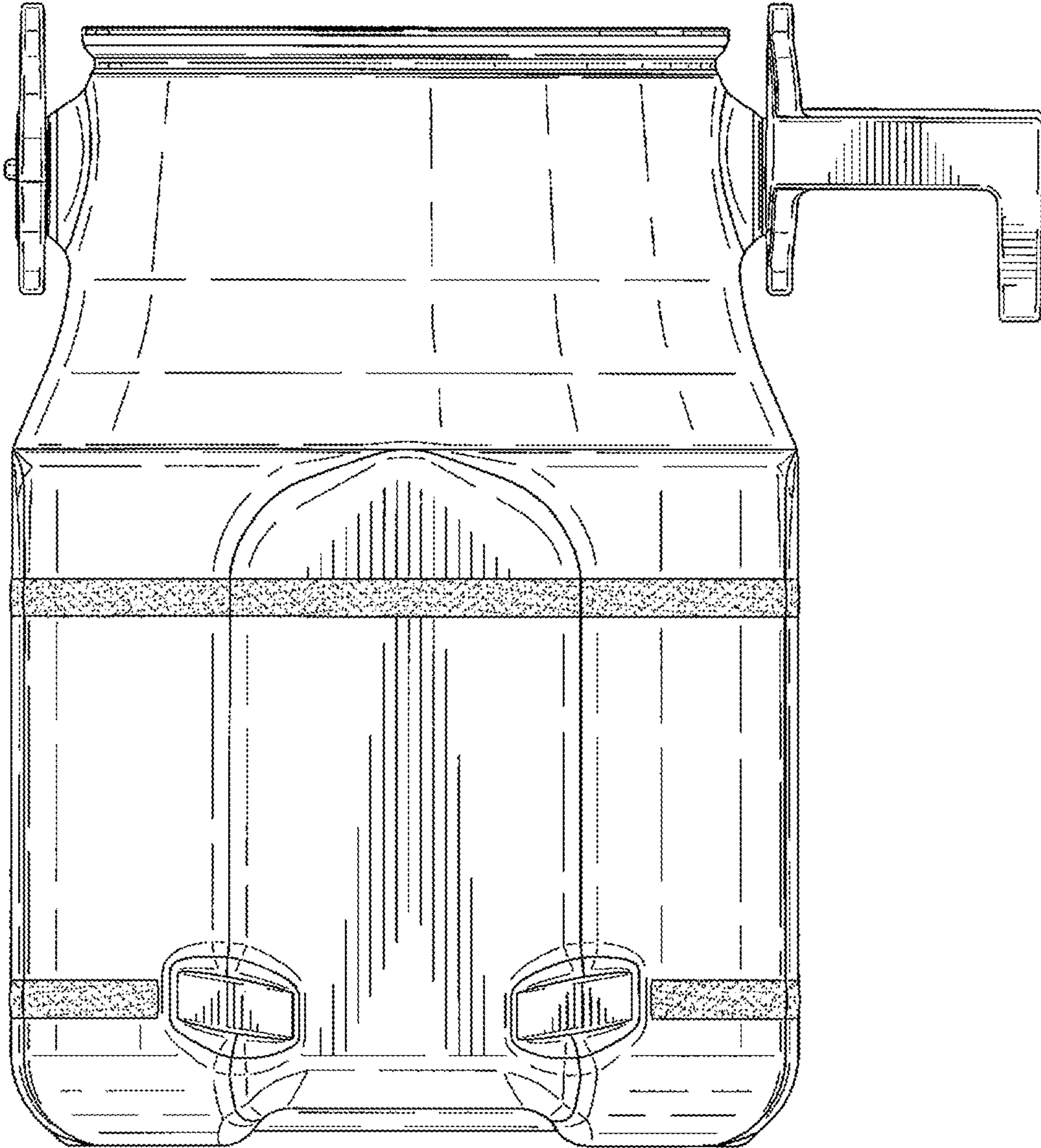


FIG. 6

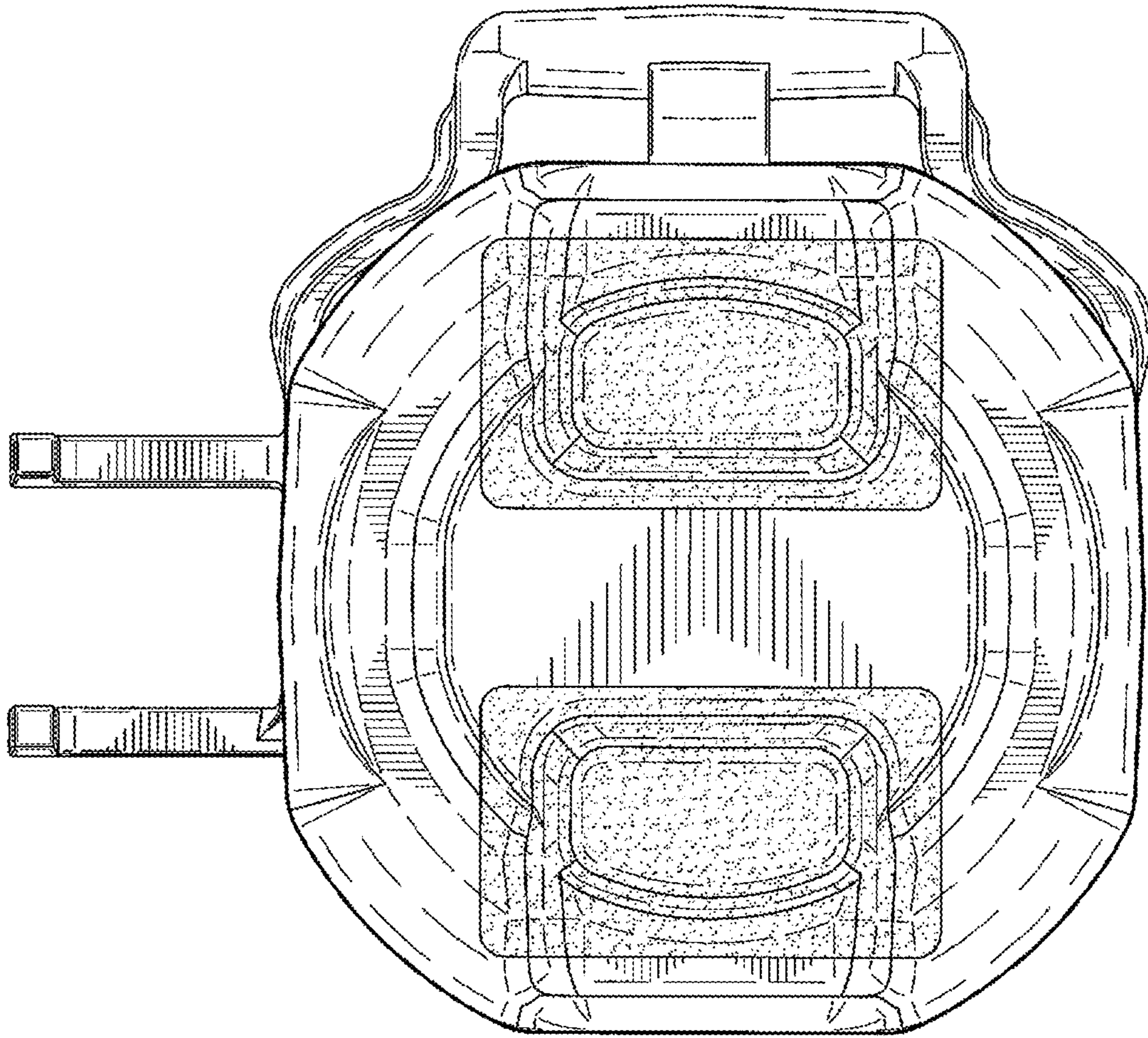


FIG. 7