



US00D885844S

(12) **United States Design Patent**
Beebe

(10) **Patent No.:** **US D885,844 S**

(45) **Date of Patent:** **** Jun. 2, 2020**

(54) **TABLEWARE ORGANIZER FOR LARGE GROUP GATHERINGS**

(71) Applicant: **Jean Paul Beebe**, Ennis, TX (US)

(72) Inventor: **Jean Paul Beebe**, Ennis, TX (US)

(**) Term: **15 Years**

(21) Appl. No.: **29/647,236**

(22) Filed: **May 10, 2018**

(51) **LOC (12) Cl.** **07-06**

(52) **U.S. Cl.**
USPC **D7/601; D7/703**

(58) **Field of Classification Search**
USPC .. D7/601, 590, 592, 600.1-600.4, 600, 632;
D20/10, 19, 21, 99; D3/304-315
CPC A47G 21/16; A47G 21/14; A47G 23/06;
A47G 19/08; A47G 1/14; A47J 47/16;
A47L 19/04
See application file for complete search history.

(56) **References Cited**

U.S. PATENT DOCUMENTS

D156,670 S *	12/1949	Runnels	D7/592
D157,446 S *	2/1950	Smith et al.	D7/592
D164,892 S *	10/1951	Baker	D7/592
D165,744 S *	1/1952	Fishman	D7/590
3,442,393 A *	5/1969	Koppelman	A47G 19/24 211/13.1
3,966,103 A *	6/1976	Abrams	A47G 19/30 294/144
4,505,059 A *	3/1985	Morris	G09F 23/06 206/459.5
4,940,143 A *	7/1990	Stanfield	A45C 13/02 206/511
D318,985 S *	8/1991	Szablak	D30/133
D324,155 S *	2/1992	Hyman	D7/590
D335,799 S *	5/1993	Jong	D7/638
D341,521 S *	11/1993	Norbury	D7/552.2
D377,951 S *	2/1997	McDiarmid	D19/69

D395,578 S *	6/1998	Pulitano	D19/90
D396,171 S *	7/1998	Conway	D7/590
6,161,718 A *	12/2000	Monbo	A47G 21/14 220/23.87
6,206,260 B1 *	3/2001	Covell	B60N 3/083 206/5
6,796,441 B2 *	9/2004	Tremblay	A47F 5/04 211/13.1
D608,609 S *	1/2010	Eaton	D7/701
D681,406 S *	5/2013	Soliman	D19/77

(Continued)

Primary Examiner — Terry A Wallace

(74) *Attorney, Agent, or Firm* — Alexander Deese

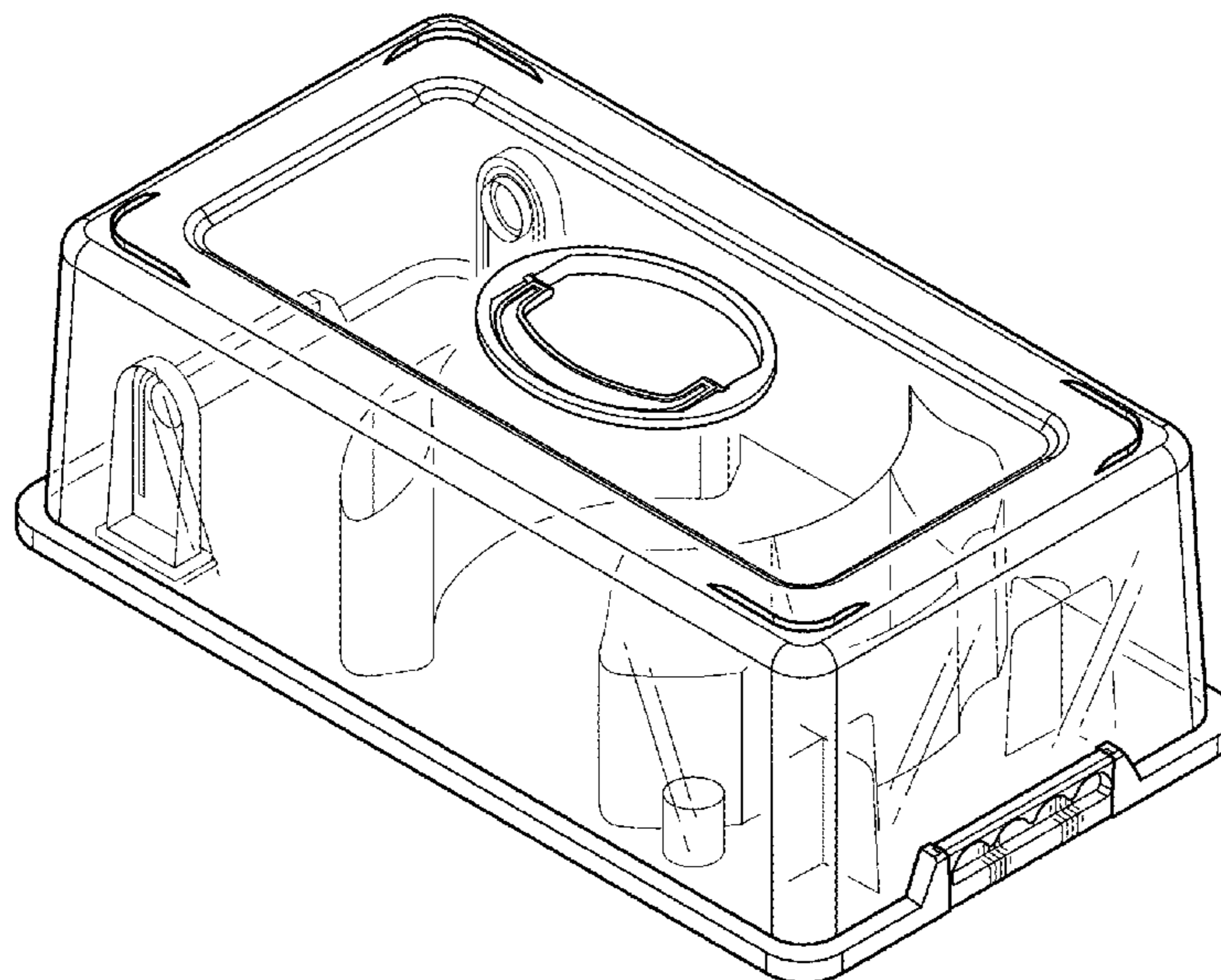
(57) **CLAIM**

The ornamental design for a tableware organizer for large group gatherings, as shown and described.

DESCRIPTION

FIG. 1 is a perspective view of the base of the tableware organizer with its lid removed showing my new design; FIG. 2 is a top plan view thereof; FIG. 3 is a front elevational view thereof; FIG. 4 is a left elevational view thereof; FIG. 5 is a back elevational view thereof; FIG. 6 is a perspective view of the lid of the tableware organizer showing my new design; FIG. 7 is a top plan view thereof; FIG. 8 is a front elevational view thereof; FIG. 9 is a left elevational view thereof; FIG. 10 is a perspective view of the assembled tableware organizer showing my new design; FIG. 11 is a top plan view thereof; FIG. 12 is a front elevational view thereof; FIG. 13 is a left elevational view thereof; and, FIG. 14 is a back elevational view thereof. The base, FIGS. 1-5, and the lid, FIGS. 6-9, are shown separately for clarity of illustration.

1 Claim, 6 Drawing Sheets



(56)

References Cited

U.S. PATENT DOCUMENTS

D693,125 S * 11/2013 Bell D3/304
D807,642 S * 1/2018 Greenwood D3/313
2008/0163591 A1* 7/2008 Dewolf A47G 21/16
53/474
2008/0308509 A1* 12/2008 Giuseppe A47L 19/04
211/41.3

* cited by examiner

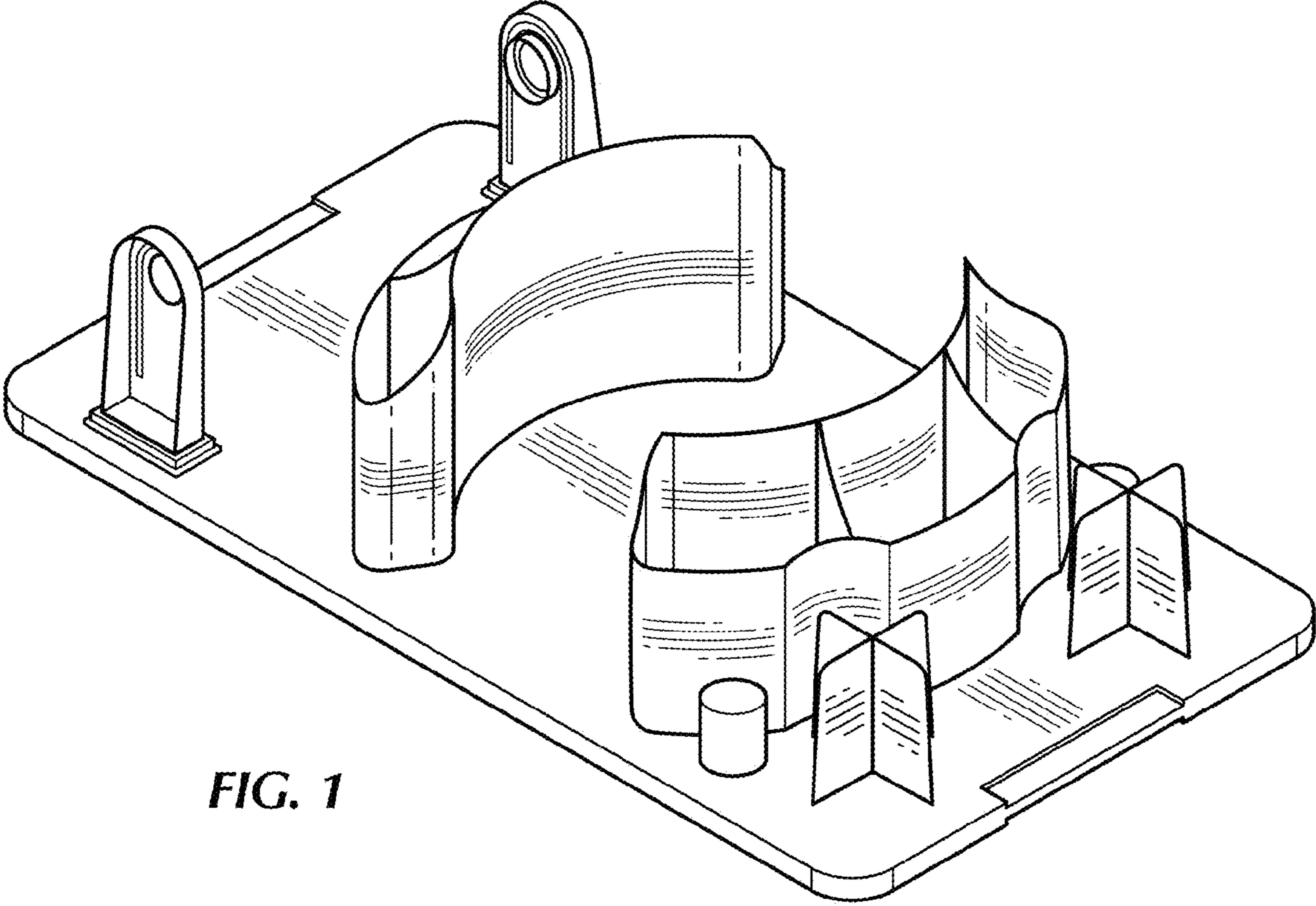


FIG. 1

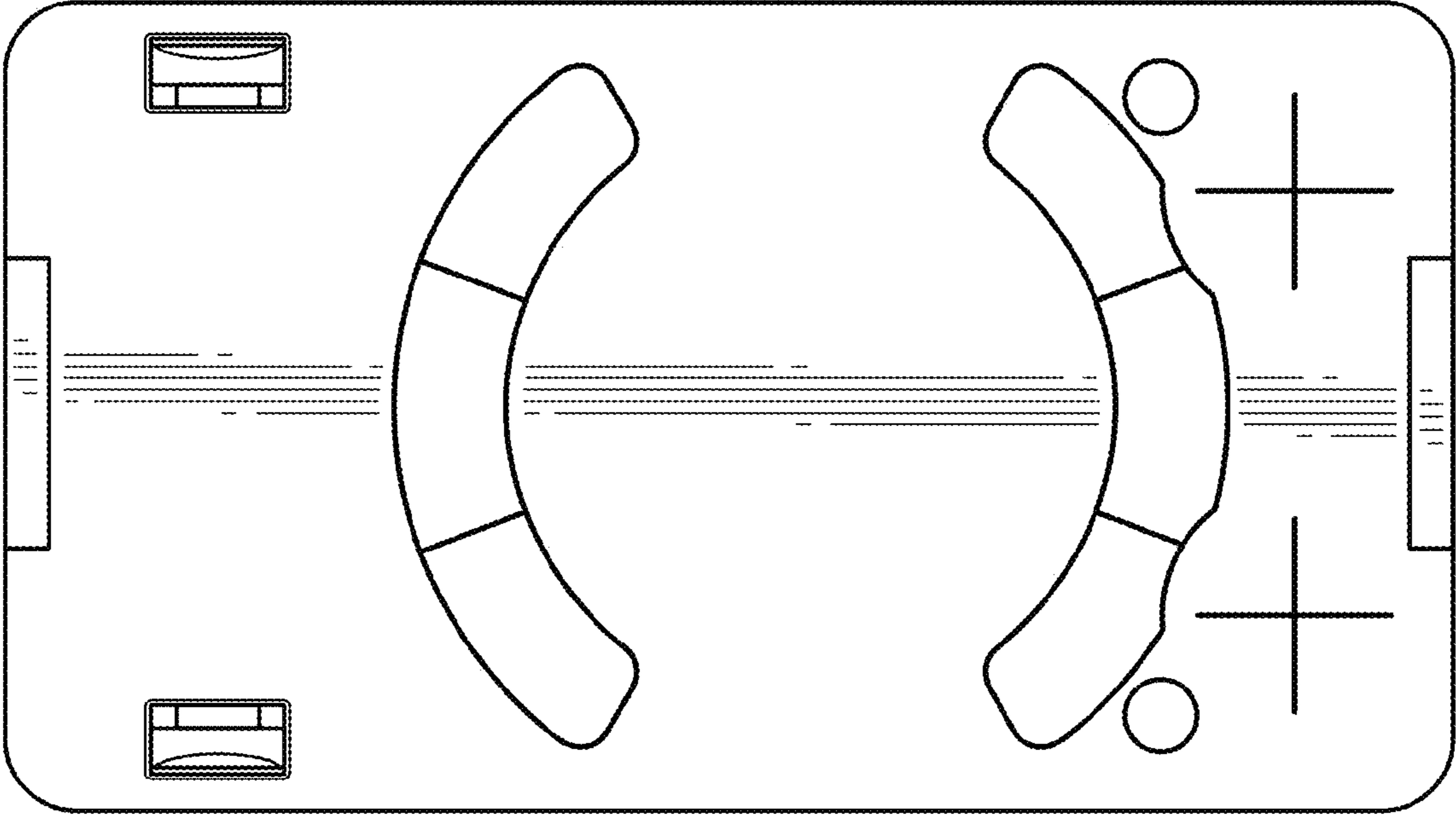


FIG. 2

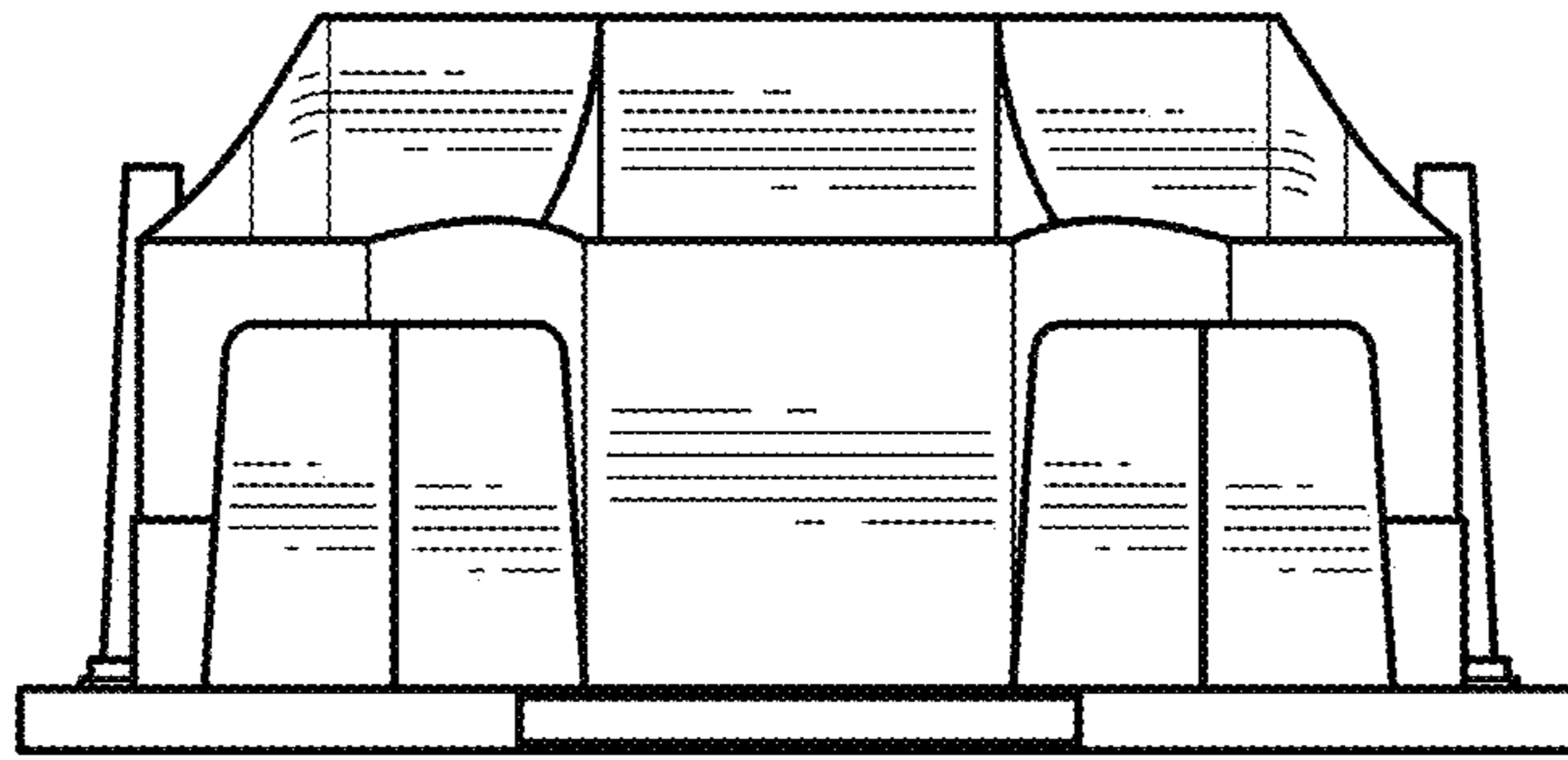


FIG. 3

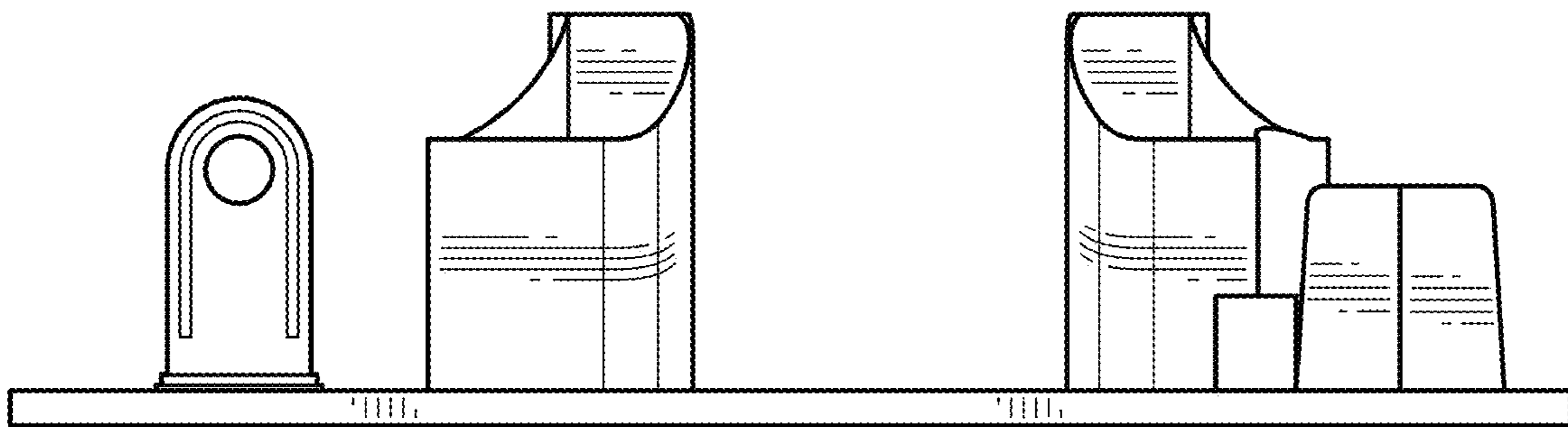


FIG. 4

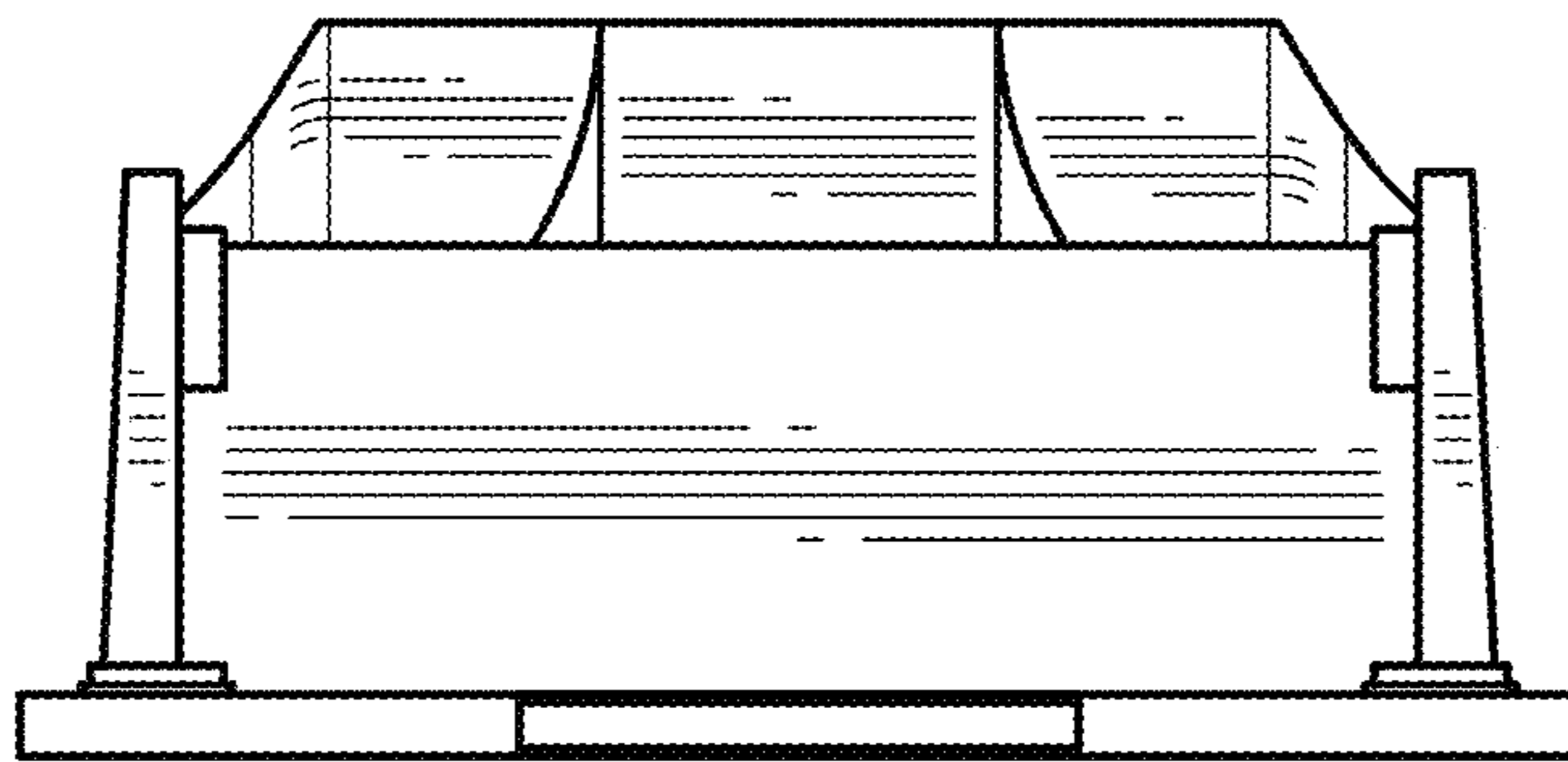


FIG. 5

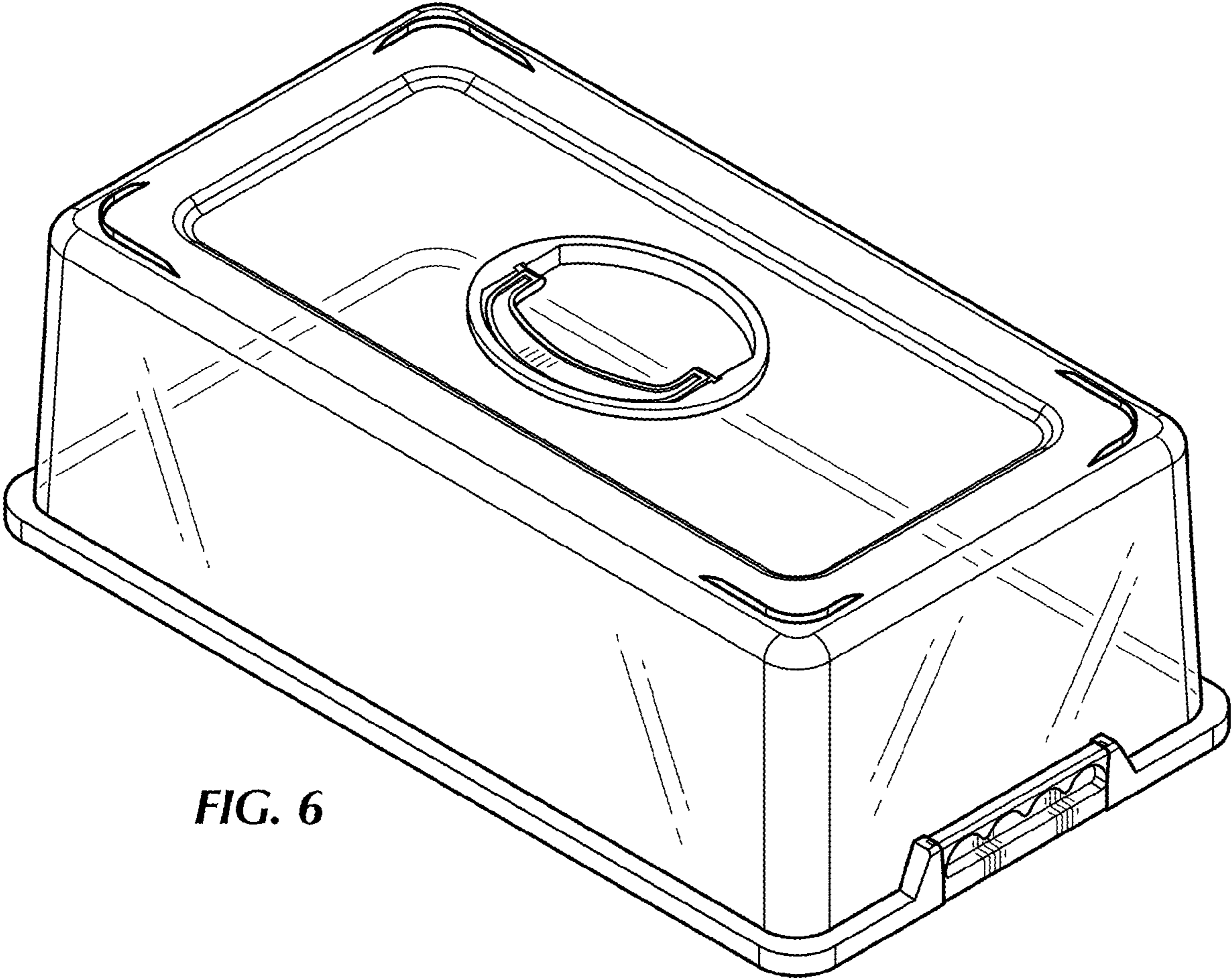


FIG. 6

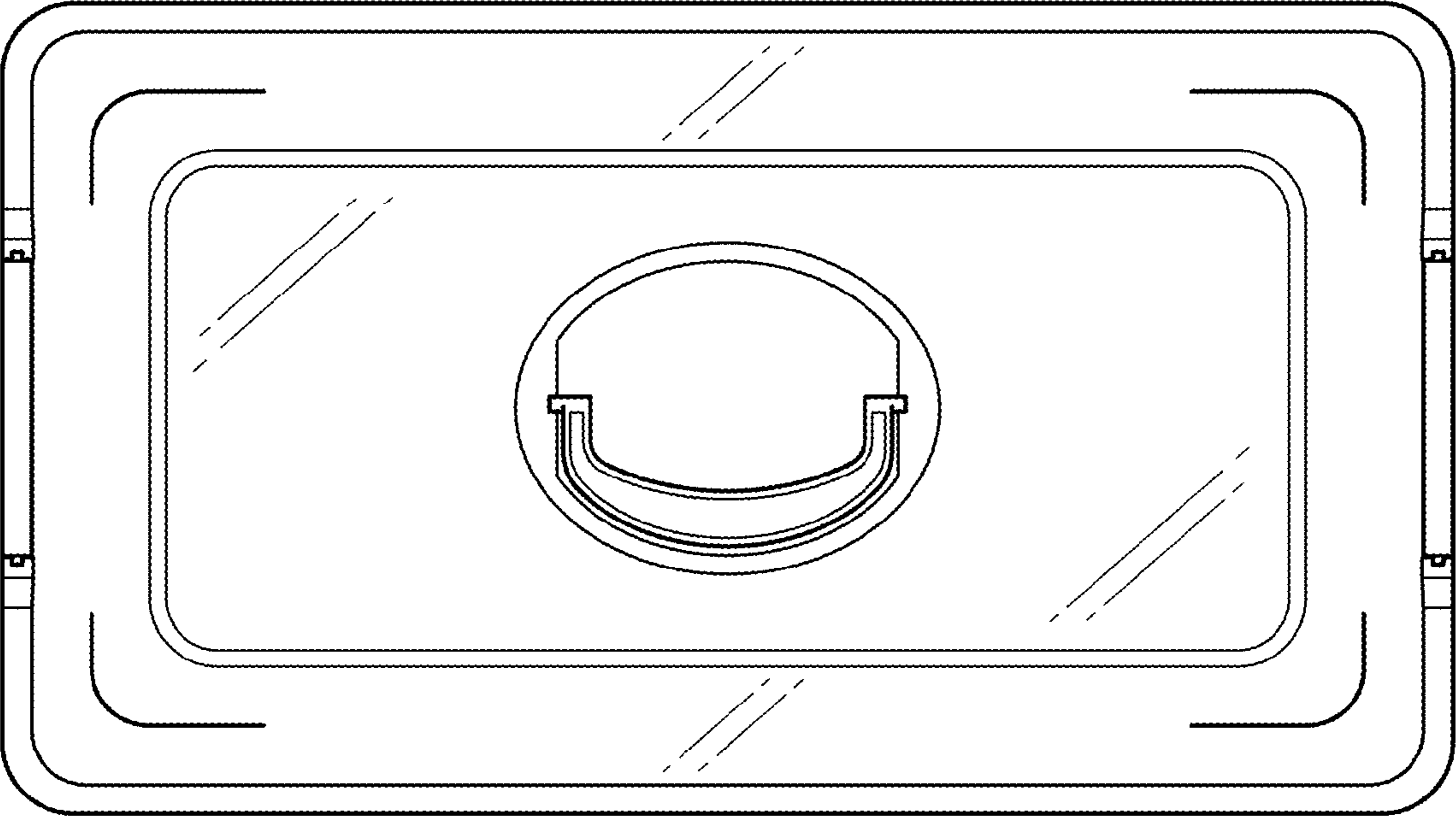


FIG. 7

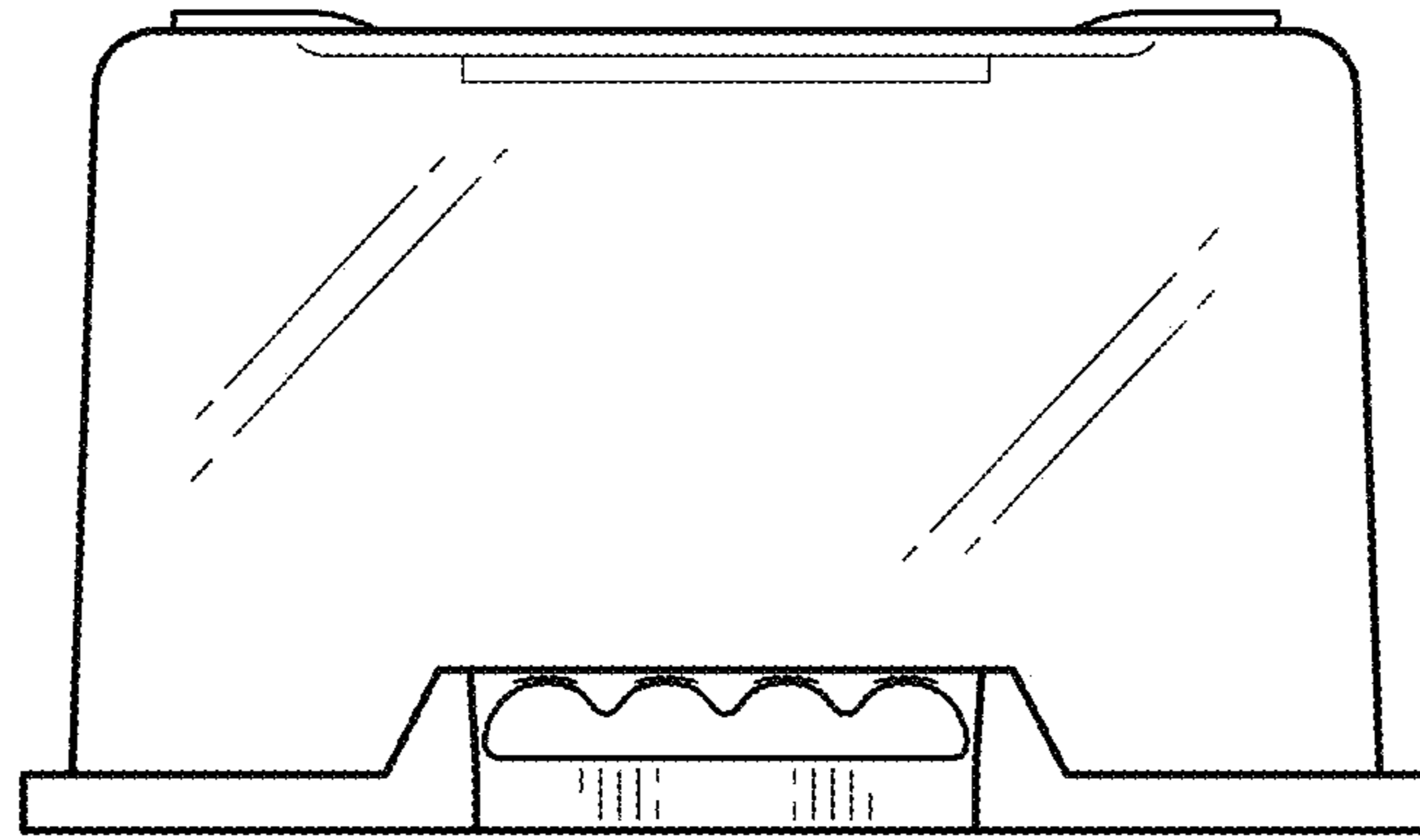


FIG. 8

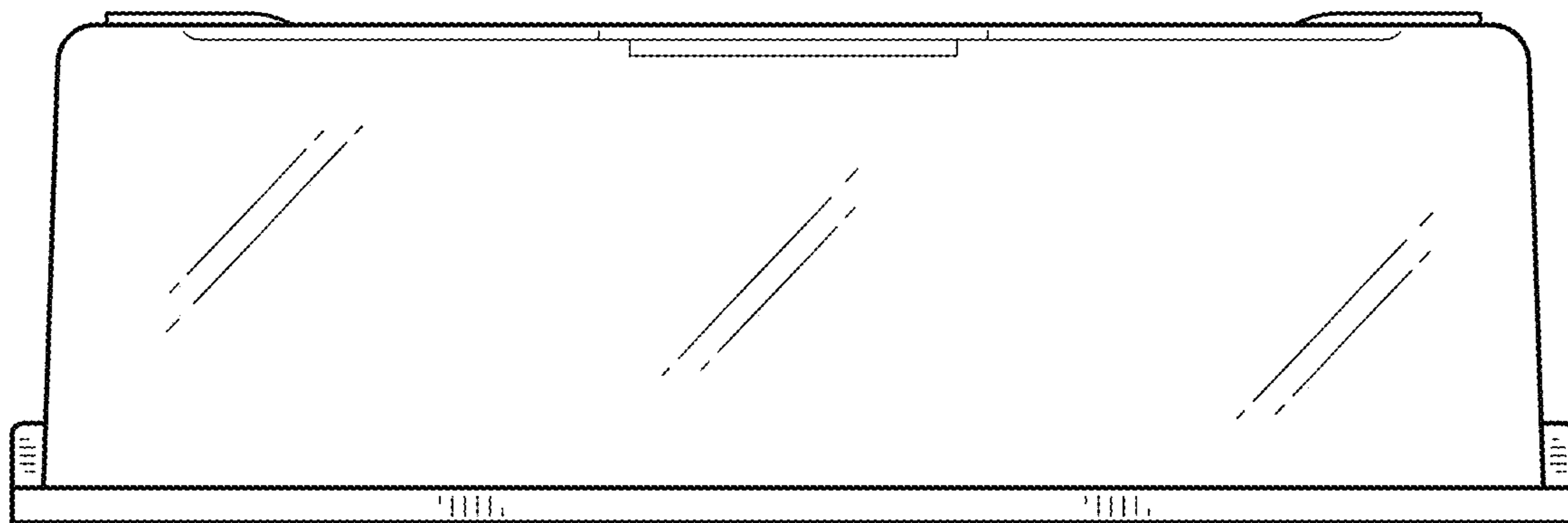


FIG. 9

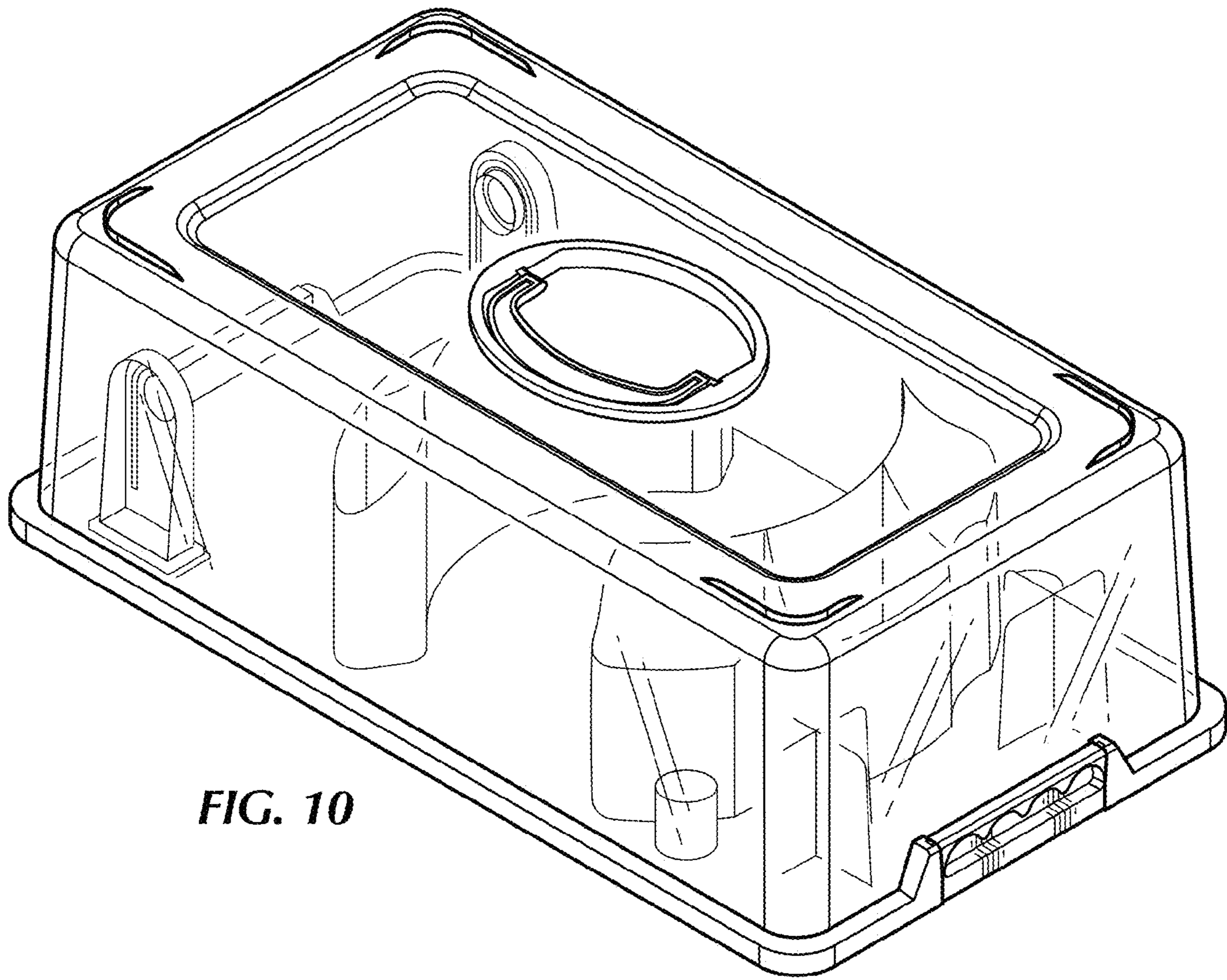


FIG. 10

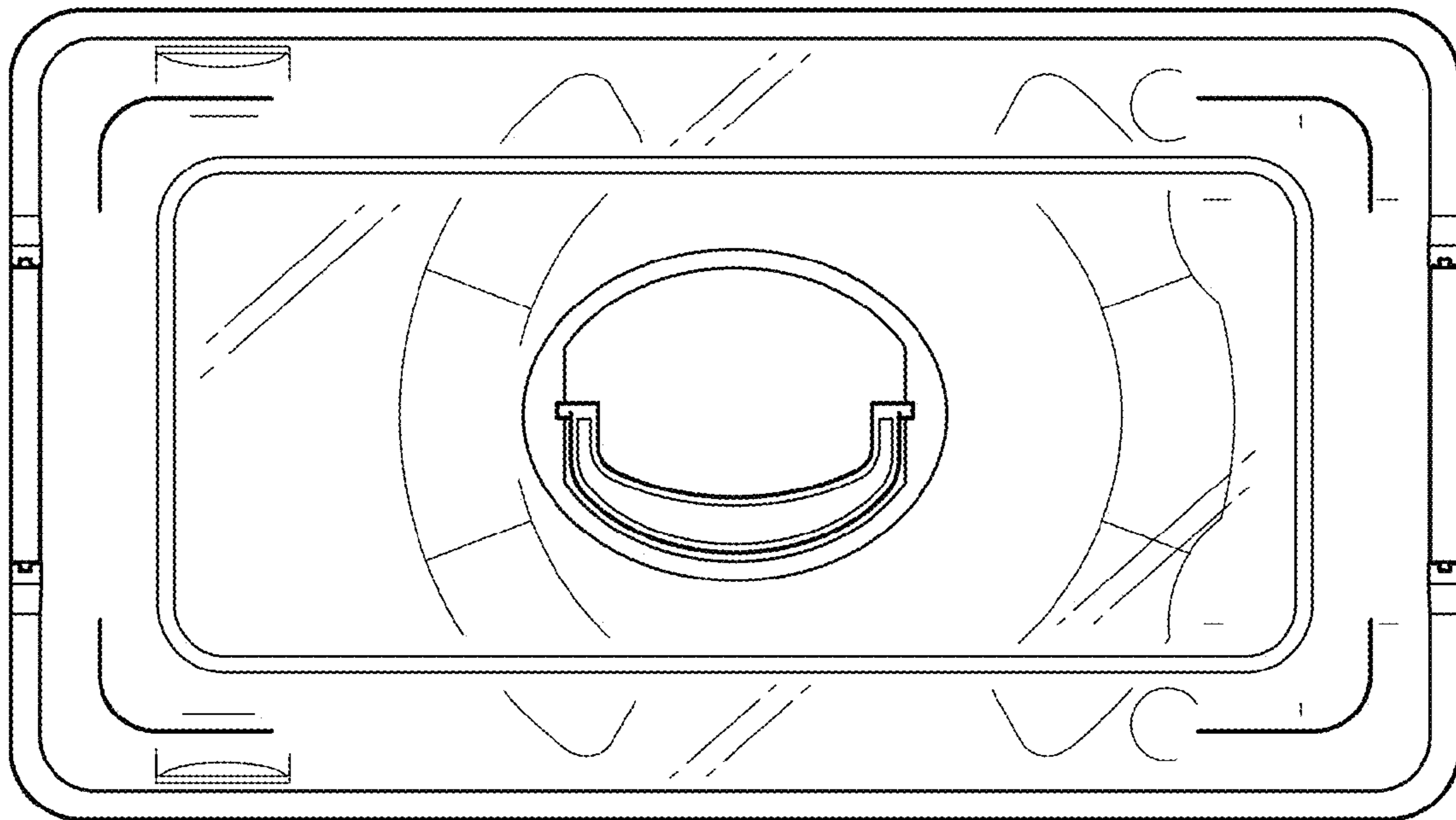


FIG. 11

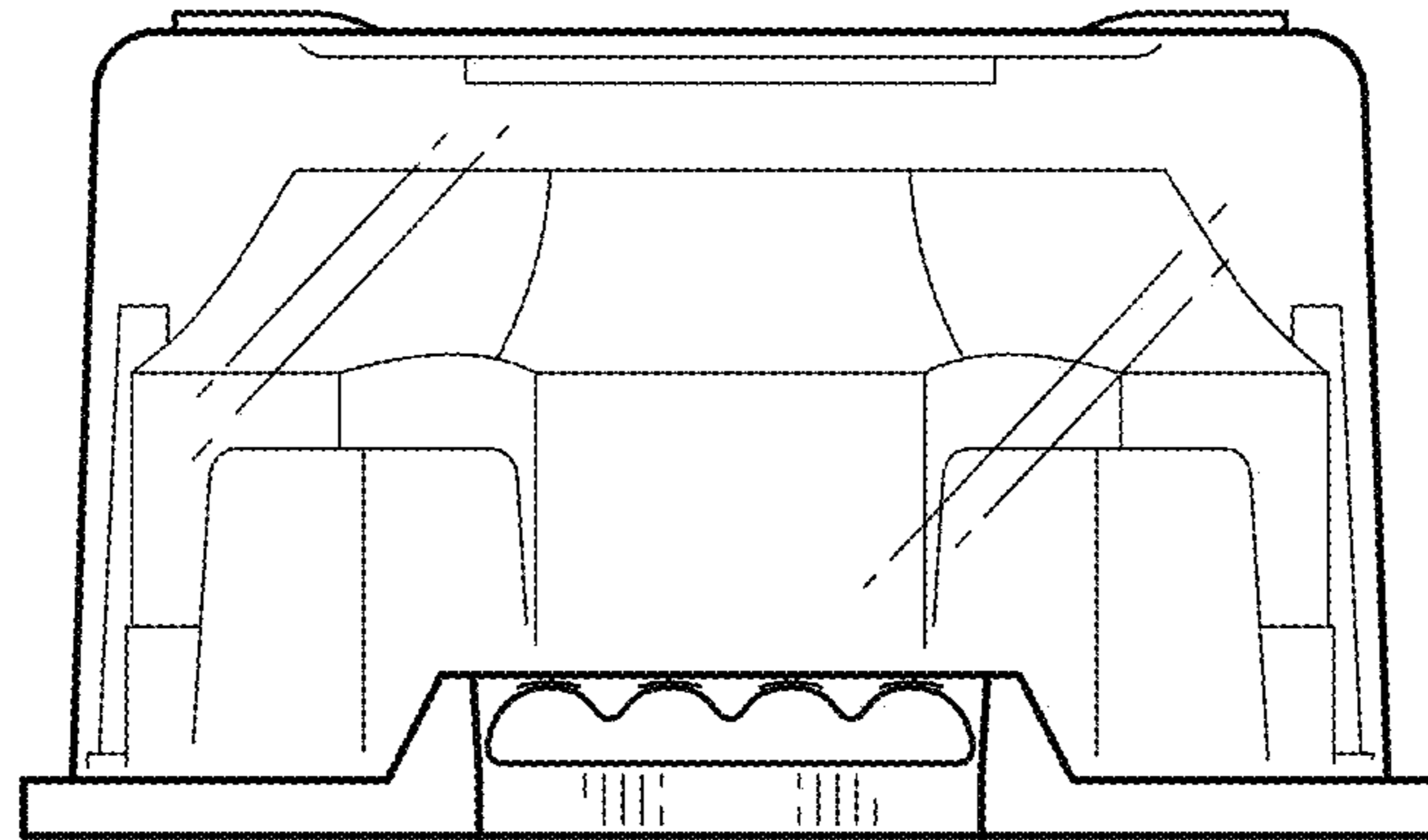


FIG. 12

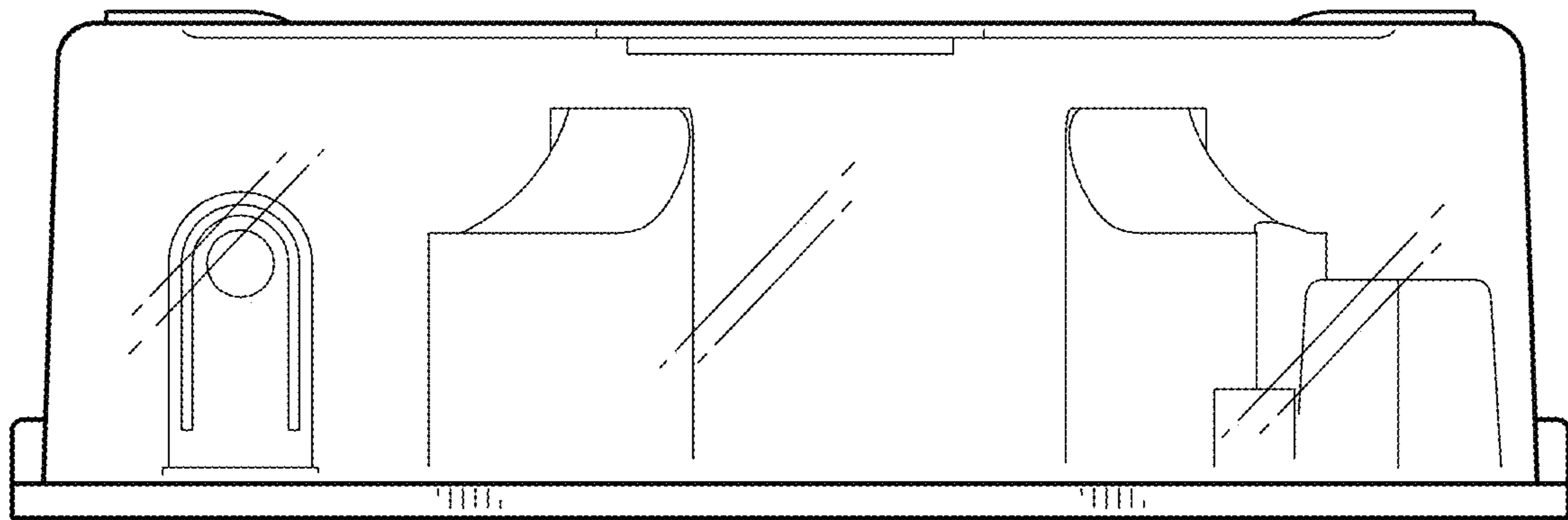


FIG. 13

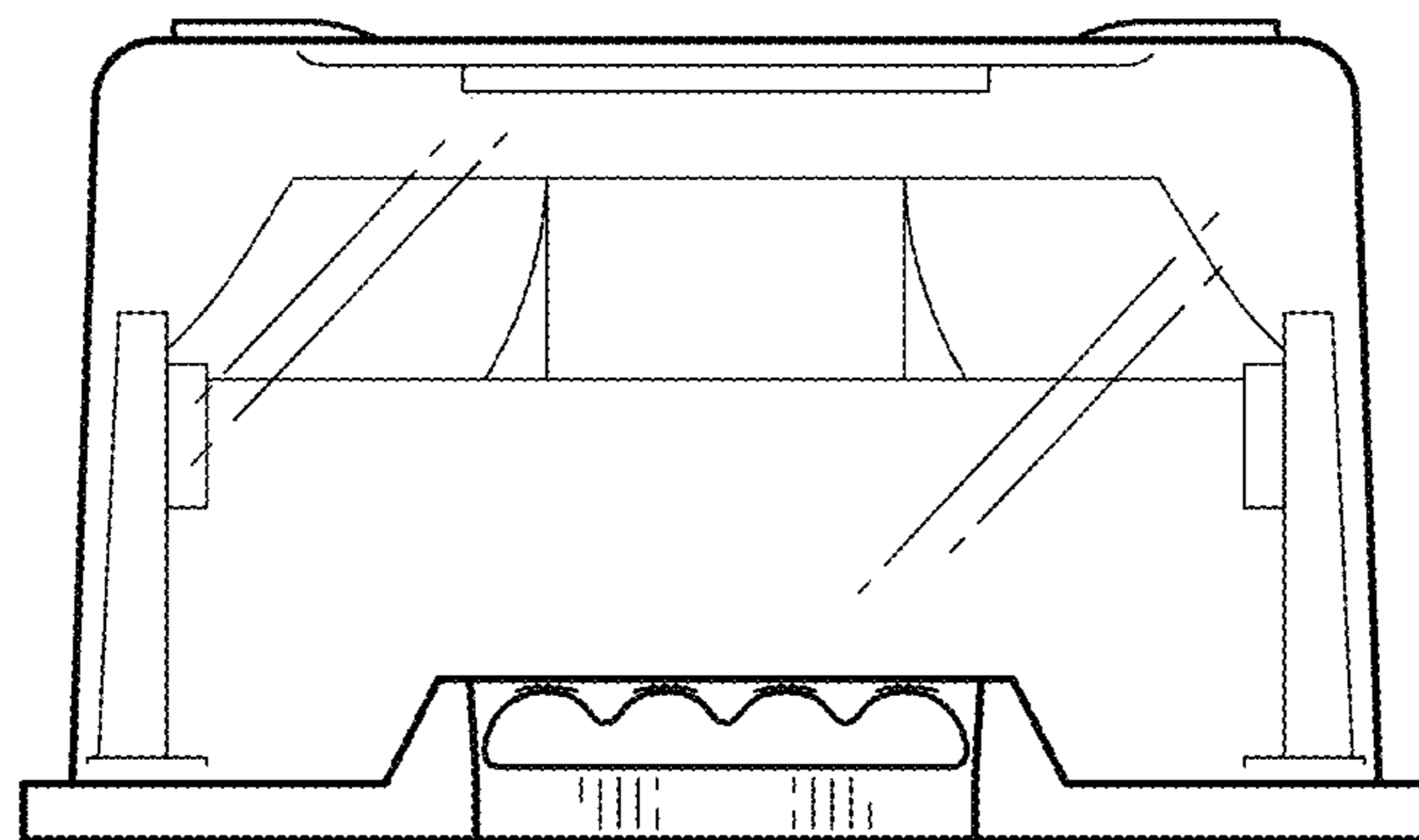


FIG. 14