



US00D885841S

(12) **United States Design Patent** (10) **Patent No.:** **US D885,841 S**  
**Bohman et al.** (45) **Date of Patent:** **\*\* Jun. 2, 2020**

(54) **BEVERAGE CONTAINER**

(71) Applicant: **OTTER PRODUCTS, LLC**, Fort Collins, CO (US)

(72) Inventors: **David J. Bohman**, Fort Collins, CO (US); **Jason Sagen**, Fort Collins, CO (US)

(73) Assignee: **Otter Products, LLC**, Fort Collins, CO (US)

(\*\*) Term: **15 Years**

(21) Appl. No.: **29/663,601**

(22) Filed: **Sep. 17, 2018**

(51) **LOC (12) Cl.** ..... **07-01**

(52) **U.S. Cl.**  
USPC ..... **D7/523; D7/531**

(58) **Field of Classification Search**  
USPC ..... D7/509, 510, 511, 523, 531, 300, 300.1, D7/602; D9/516, 530, 537, 538, 539, D9/541, 542, 549, 556, 557, 559, 561, D9/569, 570  
CPC ..... A47G 19/22; A47G 19/2205; A47G 19/2227; A47G 19/2266; A45F 3/20; B65D 1/265; B65D 1/10; B65D 3/06; B65D 81/3837

See application file for complete search history.

(56) **References Cited**

**U.S. PATENT DOCUMENTS**

- D103,721 S \* 3/1937 Feurst ..... D9/560
- 2,608,841 A 9/1952 Rice
- 2,754,866 A 7/1956 Coltman
- 2,957,596 A 10/1960 Rehborg
- 3,312,366 A 4/1967 Harry
- D282,234 S 1/1986 Henderson
- D287,919 S 1/1987 Clements
- D298,731 S 11/1988 Cook
- 4,877,141 A \* 10/1989 Hayashi ..... B65D 1/0223  
215/381

- D321,628 S 11/1991 Kobayashi et al.
- D339,291 S \* 9/1993 Leigner ..... D9/520
- 5,249,703 A 10/1993 Karp
- D346,718 S 5/1994 Timmermans
- D355,119 S 2/1995 Zimmermann et al.
- D371,304 S 7/1996 Onneweer
- D375,019 S 10/1996 Goto et al.

(Continued)

**FOREIGN PATENT DOCUMENTS**

EP 2555658 A1 2/2013

**OTHER PUBLICATIONS**

US D775,903 S, 01/2017, Seiders et al. (withdrawn)  
(Continued)

*Primary Examiner* — Susan E Krakower  
*Assistant Examiner* — Andrew Kerr

(57) **CLAIM**

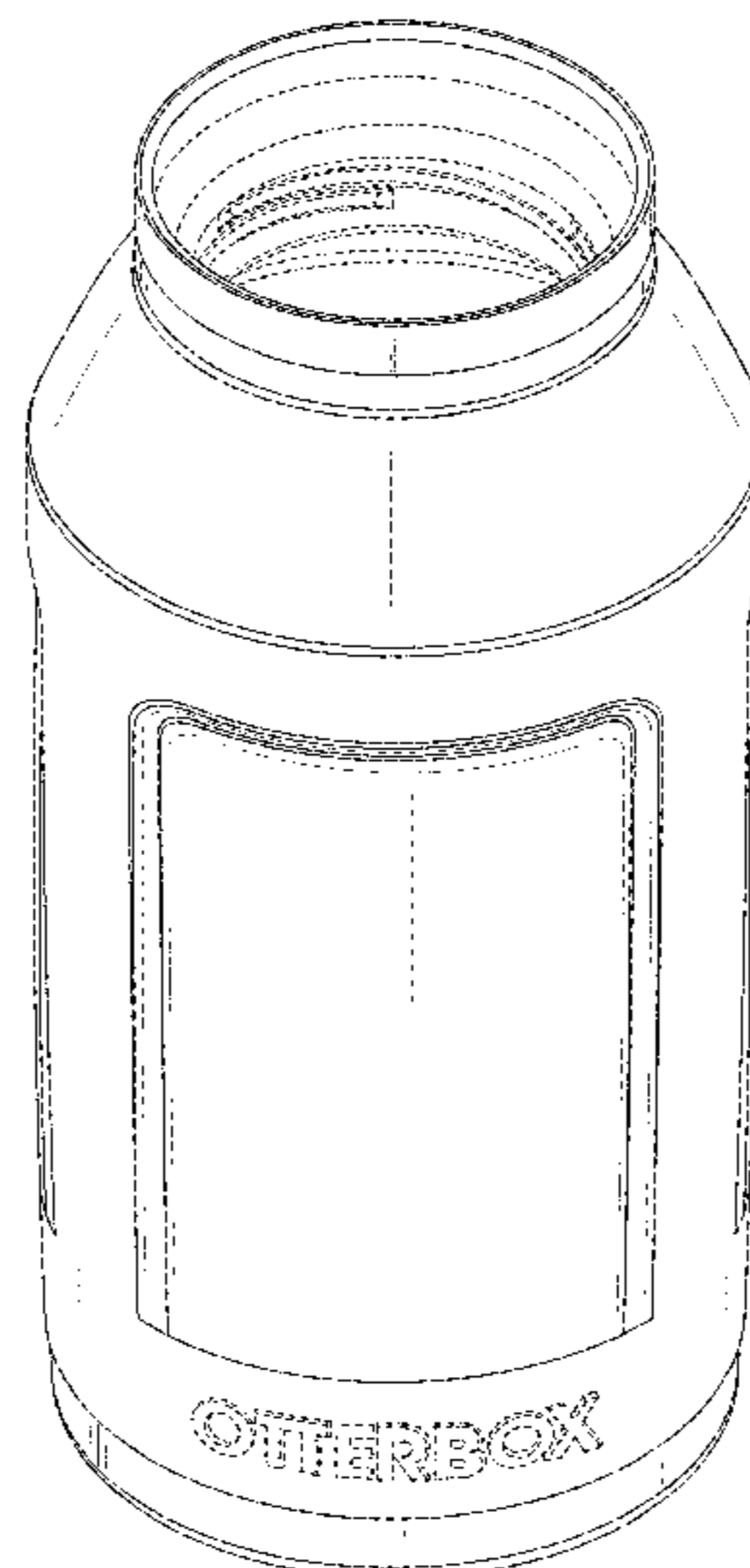
The ornamental design for a beverage container, as shown and described.

**DESCRIPTION**

FIG. 1 is a front, top perspective view of a beverage container showing our new design;  
FIG. 2 is a rear, bottom perspective view thereof;  
FIG. 3 is a front view thereof;  
FIG. 4 is a rear view thereof;  
FIG. 5 is a left view thereof;  
FIG. 6 is a right view thereof;  
FIG. 7 is a top view thereof; and,  
FIG. 8 is a bottom view thereof.

The dash-dash broken lines throughout the drawing figures depict portions of the beverage container that form no part of the claimed design. The broken lines and unshaded surfaces bounded by broken lines form no part of the claimed design.

**1 Claim, 8 Drawing Sheets**



(56)

References Cited

U.S. PATENT DOCUMENTS

5,570,797	A	11/1996	Yeh	8,622,237	B2	1/2014	Choi et al.
D385,956	S	11/1997	Doughty et al.	D700,012	S	2/2014	Hurley et al.
D390,462	S	2/1998	Mao	D700,802	S	3/2014	Miller
5,909,821	A	6/1999	Guridi	D702,092	S	4/2014	Mettler et al.
D411,954	S	7/1999	Williamson	8,695,830	B2	4/2014	Meyers et al.
D415,651	S	10/1999	Trombly	D707,124	S	6/2014	Blain et al.
6,059,140	A	5/2000	Hicks	8,777,048	B2	7/2014	Choi et al.
D429,118	S	8/2000	Hurlbut	D712,254	S	9/2014	Geis et al.
D441,288	S	5/2001	Pillers et al.	D712,720	S	9/2014	Seiders
D450,583	S	11/2001	Freed	D712,721	S	9/2014	Seiders
D450,982	S	11/2001	Gaze et al.	D712,722	S	9/2014	Seiders
D452,445	S *	12/2001	Silvers ..... D9/538	D712,723	S	9/2014	Seiders
6,324,966	B1	12/2001	Joergensen	D714,125	S	9/2014	Seiders
D453,472	S	2/2002	Kwong	8,844,762	B2	9/2014	Chiou et al.
D455,052	S	4/2002	Gullickson et al.	D714,584	S	10/2014	Boroski
D455,612	S	4/2002	Gullickson et al.	D716,657	S	11/2014	Caneer
6,422,133	B1	7/2002	Brady	D719,827	S	12/2014	Duran et al.
D476,859	S	7/2003	Short	D720,217	S	12/2014	Oates et al.
D479,800	S	9/2003	McRae	8,905,252	B2	12/2014	Latham et al.
6,626,326	B2	9/2003	Murakami	8,910,819	B2	12/2014	Seiders
D482,607	S	11/2003	McRae	8,939,305	B2	1/2015	Meyers et al.
D488,960	S	4/2004	Wahl et al.	D722,474	S	2/2015	Seiders
6,763,964	B1	7/2004	Hurlbut et al.	D722,475	S	2/2015	Seiders
6,797,304	B2	9/2004	McGonagle	D723,918	S	3/2015	Karl et al.
D505,294	S	5/2005	Gauss	D725,966	S	4/2015	Boroski et al.
7,011,227	B2	3/2006	Ward et al.	D727,097	S	4/2015	Sorensen et al.
D519,835	S	5/2006	Dubs et al.	D727,457	S	4/2015	Seiders
D524,909	S	7/2006	Bakke et al.	D729,579	S	5/2015	Molayem
D533,032	S	12/2006	Liu et al.	D731,614	S	6/2015	Seiders
D546,178	S	7/2007	McClain	D732,348	S	6/2015	Seiders et al.
D547,607	S	7/2007	Forsman	D732,349	S	6/2015	Seiders et al.
D547,610	S	7/2007	Edelstein et al.	D732,350	S	6/2015	Seiders et al.
D548,012	S	8/2007	Tien	D732,392	S	6/2015	Duran et al.
D564,841	S	3/2008	Clemens et al.	D732,899	S	6/2015	Seiders et al.
D570,213	S	6/2008	Newman	D734,150	S	7/2015	Rigel
D572,981	S	7/2008	Carreno	D736,622	S	8/2015	Nishijima et al.
D582,767	S	12/2008	Batton et al.	9,107,541	B2	8/2015	Bodum
D587,533	S	3/2009	Carreno	9,113,698	B2	8/2015	Blain et al.
D592,906	S	5/2009	Allen et al.	D739,174	S	9/2015	Elsaden et al.
7,533,783	B2	5/2009	Choi et al.	9,139,352	B2	9/2015	Seiders et al.
D597,816	S	8/2009	Thompson	D740,605	S	10/2015	Wodka et al.
7,578,231	B2	8/2009	Liu	D742,684	S	11/2015	Hurley et al.
D604,984	S	12/2009	Kalamaras	9,187,232	B2	11/2015	Seiders
D621,257	S	8/2010	Gullickson et al.	D748,942	S	2/2016	Boroski et al.
D622,089	S	8/2010	Daniel et al.	D751,338	S	3/2016	Seiders et al.
D623,480	S	9/2010	Moran	D751,339	S	3/2016	Seiders et al.
D623,481	S	9/2010	Moran	D751,340	S	3/2016	Seiders et al.
D623,896	S	9/2010	Wahl et al.	D751,341	S	3/2016	Seiders et al.
D626,837	S	11/2010	Meyers et al.	D752,347	S	3/2016	Seiders et al.
D628,018	S	11/2010	Gilbert	D752,397	S	3/2016	Seiders et al.
D630,093	S	1/2011	Bardet	D752,434	S	3/2016	Willows et al.
D631,284	S	1/2011	Fuller	D752,976	S	4/2016	Koffel et al.
D632,522	S	2/2011	Wahl et al.	D754,483	S	4/2016	Elsaden et al.
D634,160	S	3/2011	Cetera	D754,486	S	4/2016	Ott
D644,060	S	8/2011	Komeiji	D757,496	S	5/2016	Julier et al.
D644,489	S	9/2011	Trombly	9,351,597	B2	5/2016	Liu et al.
D651,847	S	1/2012	Gilbert	D758,127	S	6/2016	Zhao
D651,852	S	1/2012	George	D758,137	S	6/2016	Soltz et al.
D653,521	S	2/2012	Wike	D758,791	S	6/2016	Hanna et al.
D656,360	S	3/2012	Miller et al.	D758,792	S	6/2016	Karussi
D656,820	S	4/2012	Willows et al.	D758,859	S	6/2016	Sorensen et al.
D657,196	S	4/2012	Beyers	D759,485	S	6/2016	Boroski et al.
D658,006	S	4/2012	Yao	D760,026	S	6/2016	Smith et al.
D660,648	S	5/2012	Gilbert	D760,586	S	7/2016	Seiders et al.
8,191,727	B2	6/2012	Davies et al.	D761,619	S	7/2016	Seiders et al.
8,251,247	B1	8/2012	Breckner	D761,648	S	7/2016	Karl et al.
8,313,644	B2	11/2012	Harris et al.	D762,117	S	7/2016	Joseph et al.
D672,648	S	12/2012	Goto et al.	9,387,961	B2	7/2016	Mithal
D675,059	S	1/2013	Carreno	D762,418	S	8/2016	Sorensen et al.
D682,034	S	5/2013	El-Saden et al.	D763,076	S	8/2016	Lane et al.
8,469,226	B2	6/2013	Davies et al.	D764,787	S	8/2016	Montminy
D686,871	S	7/2013	Lane	D766,029	S	9/2016	Lin
D690,556	S	10/2013	Boroski	D766,652	S	9/2016	Joseph et al.
D690,988	S	10/2013	Audette	D766,668	S	9/2016	Garcia
8,602,238	B2	12/2013	El-Saden et al.	D767,328	S	9/2016	Boroski et al.
				D768,437	S	10/2016	Lane
				D769,046	S	10/2016	Beckman et al.
				9,456,710	B2	10/2016	Blain et al.
				9,462,904	B2	10/2016	Coon et al.

(56)

References Cited

U.S. PATENT DOCUMENTS

D770,222 S	11/2016	Boroski et al.	D808,713 S	1/2018	Rane et al.
D771,990 S	11/2016	Horowitz	D809,344 S	2/2018	Guthrie
D772,064 S	11/2016	Boroski et al.	D809,924 S	2/2018	Miros
D772,651 S	11/2016	Leonard et al.	D811,162 S	2/2018	Rane et al.
9,505,527 B1	11/2016	Campbell	D812,432 S	3/2018	Seiders et al.
D774,359 S	12/2016	Boroski	D812,970 S	3/2018	Rane et al.
D774,363 S	12/2016	Seiders et al.	D812,979 S	3/2018	Seiders et al.
D774,837 S	12/2016	Seiders et al.	D813,593 S	3/2018	Cornu et al.
9,521,918 B2	12/2016	Coon et al.	9,908,687 B2	3/2018	Chiou et al.
D775,892 S	1/2017	Smith	D814,852 S	4/2018	Melanson et al.
D777,508 S	1/2017	Goodwin et al.	D814,853 S	4/2018	Melanson et al.
D778,725 S	2/2017	Sorensen et al.	D814,854 S	4/2018	Melanson et al.
D779,285 S	2/2017	Seiders et al.	D814,928 S	4/2018	Seiders et al.
D779,891 S	2/2017	Seiders et al.	D816,397 S	5/2018	Karl et al.
D779,892 S	2/2017	Seiders et al.	D816,493 S	5/2018	Seiders et al.
D780,530 S	3/2017	Seiders et al.	D817,084 S	5/2018	Hammer
D780,531 S	3/2017	Seiders et al.	D817,085 S	5/2018	Davis
D780,532 S	3/2017	Seiders et al.	D817,683 S	5/2018	Melanson et al.
D780,533 S	3/2017	Seiders et al.	D818,312 S	5/2018	Burns et al.
D780,577 S	3/2017	Seiders et al.	D819,396 S	6/2018	Seiders et al.
D781,145 S	3/2017	Seiders et al.	D820,650 S	6/2018	Seiders et al.
D781,146 S	3/2017	Seiders et al.	D822,428 S	7/2018	Thuma et al.
D781,662 S	3/2017	Seiders et al.	D823,068 S	7/2018	Seiders et al.
D782,881 S	4/2017	Seiders et al.	D823,069 S	7/2018	Seiders et al.
D783,367 S	4/2017	Seiders et al.	D824,721 S	8/2018	Hu
D783,368 S	4/2017	Seiders et al.	D825,332 S	8/2018	Miksovsky et al.
D784,775 S	4/2017	Seiders et al.	D827,363 S	9/2018	Matsui
D786,025 S	5/2017	Seiders et al.	D828,722 S	9/2018	Davis
D786,072 S	5/2017	Breit et al.	D831,414 S	10/2018	Diener et al.
D787,893 S	5/2017	Seiders et al.	D831,436 S	10/2018	Seiders et al.
D787,894 S	5/2017	Seiders et al.	D834,368 S	11/2018	Oas
9,637,270 B2	5/2017	Campbell	D834,376 S	11/2018	Melanson et al.
D788,544 S	6/2017	Seiders et al.	D834,882 S	12/2018	Seiders et al.
D789,737 S	6/2017	Eyal	D834,892 S	12/2018	Melanson et al.
D790,285 S	6/2017	Seiders et al.	D836,386 S	12/2018	Ayriss et al.
D790,920 S	7/2017	Goodwin et al.	D836,396 S	12/2018	Melanson et al.
D791,532 S	7/2017	Yao	D836,974 S	1/2019	Seiders et al.
D791,542 S	7/2017	Miksovsky et al.	D839,049 S	1/2019	Seiders et al.
D791,543 S	7/2017	Mulhauser et al.	D839,054 S	1/2019	Rane et al.
D791,549 S	7/2017	Goodwin et al.	D839,055 S	1/2019	Rane et al.
D792,215 S	7/2017	Eyal	D842,027 S	3/2019	Boroski
D792,216 S	7/2017	Breit et al.	D842,028 S	3/2019	Melanson et al.
9,694,953 B2	7/2017	Meyers et al.	D842,104 S	3/2019	Ke
D794,397 S	8/2017	Seiders et al.	D843,212 S	3/2019	Seiders et al.
D795,007 S	8/2017	Plassmeyer	D843,789 S *	3/2019	Boroski ..... D7/608
D795,008 S	8/2017	Eyal	D856,154 S *	8/2019	Liu ..... D9/563
D795,013 S	8/2017	Shultz et al.	2005/0046211 A1	3/2005	Nole et al.
D795,019 S	8/2017	Seiders et al.	2006/0016819 A1	1/2006	Paslawski et al.
D795,020 S	8/2017	Seiders et al.	2007/0114236 A1	5/2007	Shiffer et al.
D795,646 S	8/2017	Sorensen et al.	2007/0240580 A1	10/2007	Lusareta et al.
D798,105 S	9/2017	Stover et al.	2008/0011762 A1	1/2008	Boone
9,771,189 B2	9/2017	Miksovsky et al.	2008/0017654 A1	1/2008	Chu
D799,320 S	10/2017	Goodwin et al.	2008/0087624 A1	4/2008	Buckley
D799,906 S	10/2017	Seiders et al.	2009/0236341 A1	9/2009	McKinney et al.
D799,907 S	10/2017	Seiders et al.	2010/0288782 A1	11/2010	Lin
D799,908 S	10/2017	Seiders et al.	2011/0147421 A1	6/2011	Pedrol
D800,501 S *	10/2017	Rummel ..... D7/509	2011/0278216 A1	11/2011	Hull et al.
D801,111 S	10/2017	Eyal	2012/0145713 A1	6/2012	Jung
9,776,777 B2	10/2017	Gorbold	2012/0152968 A1	6/2012	Bailey
9,782,028 B2	10/2017	Davies et al.	2012/0168441 A1	7/2012	Lane
D801,746 S	11/2017	Thuma et al.	2013/0043263 A1	2/2013	Yang
D802,419 S	11/2017	Seiders et al.	2013/0119060 A1	5/2013	Chiou et al.
D802,994 S	11/2017	Seiders et al.	2013/0240549 A1	9/2013	Beggins et al.
D803,619 S	11/2017	Seiders et al.	2014/0061208 A1	3/2014	Boyd
D803,632 S	11/2017	Seiders et al.	2014/0360908 A1	12/2014	Sorensen et al.
D803,684 S	11/2017	Seiders et al.	2015/0041500 A1	2/2015	Ismail
D804,254 S	12/2017	Seiders et al.	2016/0153690 A1	6/2016	Patsis et al.
D804,255 S	12/2017	Seiders et al.	2016/0244217 A1	8/2016	Maple et al.
D804,256 S	12/2017	Seiders et al.	2016/0270602 A1	9/2016	Casey
D804,905 S	12/2017	Seiders et al.	2016/0318693 A1	11/2016	Hein et al.
D805,852 S	12/2017	Seiders et al.	2017/0119212 A1	5/2017	Petrillo et al.
D807,110 S	1/2018	Lown	2017/0121073 A1	5/2017	Seiders et al.
D807,125 S	1/2018	Seiders et al.	2017/0129665 A1	5/2017	Rolfes
D807,126 S	1/2018	Seiders et al.	2017/0253392 A1	9/2017	Bann
D808,218 S	1/2018	Seiders et al.			

(56)

**References Cited**

## U.S. PATENT DOCUMENTS

2017/0253396 A1 9/2017 Coon et al.  
 2018/0009576 A1 1/2018 Sullivan et al.

## OTHER PUBLICATIONS

Otter Tumblers | posted at Otterbox.com, no posting date, © 2019 Otterbox.com, [online], [site visited Sep. 6, 2019]. Available from Internet, <URL: <https://www.otterbox.com/en-us/elevation-tumblers.html>> (Year: 2019).\*

Bar Products. Nuance Stainless Steel Cocktail Shaker. 2018 [earliest online date], [site visited Jan. 29, 2018]. Available from Internet, <<https://www.barproducts.com/nuance-stainless-steel-cocktail-shaker-16-9-oz>>. (Year: 2018).

Brittany A. Roston, Slash Gear, “Venture Coolers are like the camping version of OtterBox phone cases,” May 9, 2017, downloaded from <https://www.slashgear.com/venture-coolers-are-like-the-camping-version-of-otterbox-phone-cases-09484519/>, 5 pages.

Custom Tumbler Shop. 30 oz. SIC Cocktail Shaker Lid. Jan. 12, 2017 [earliest online date], [site visited Jan. 29, 2018]. Available from Internet, <https://customtumblershop.com/sic-30-oz-cocktail-shaker-lid>>. (Year: 2017).

Genuine Thermos Brand, Mugs & Tumblers, downloaded from [http://www.thermos.com/product\\_catalog.aspx?CatCode=MUGS](http://www.thermos.com/product_catalog.aspx?CatCode=MUGS) May 8, 2017, 5 pages.

Kevin Curry, Gear & Grit, “OtterBox Just Beat Yeti at Its own Game with Their Venture Line of Coolers,” downloaded from <https://gearandgrit.com/otterbox-venture-cooler/> May 9, 2017, 5 pages.

Otter Products, Inc, OtterBox Outdoor Venture Coolers and Elevation Tumblers, downloaded from <http://www.otterbox.com/en-us/outdoor-coming-soon.html> May 9, 2017, 2 pages.

Otterbox, OtterBox Outdoor Elevation Tumblers, retrieved from <https://www.otterbox.com/en-us/elevation-tumblers.html> on Jan. 5, 2018, 6 pages.

Otterbox, PR Newswire “Unrule the Outdoors with New OtterBox Venture Coolers”, downloaded from <http://www.prnewswire.com/news-releases/unrule-the-outdoors-with-new-otterbox-venture-coolers-300453988.html> May 9, 2017, 3 pages.

Otterbox, Rugged & Versatile Elevation 20 Tumbler Accessories, retrieved from <https://www.otterbox.com/en-us/tumber-accessories> Jan. 5, 2018, 2 pages.

Pelican Consumer, Traveler Tumbler Series Drinkware, downloaded from <http://www.pelican.com/us/en/products/drinkware> May 8, 2017, 2 pages.

Tervis Official Store, Shaker Top, downloaded from <http://www.tervis.com/shaker-top> May 8, 2017, 4 pages.

Tervis Official Store, Stainless Steel Tumblers, downloaded from <http://www.tervis.com/stainless-steel> May 8, 2017, 4 pages.

Tervis Official Store, Travel Lids, downloaded from <http://www.tervis.com/travel-lids> May 8, 2017, 11 pages.

Yeti Coolers, Rambler Drinkware Series, downloaded from <http://yeti.com/rambler> May 8, 2017, 6 pages.

Yeti Coolers, YETI Accessories & Parts, downloaded May 8, 2017 from <http://yeti.com/accessories>, 5 pages.

Amazon.com, “Silver Buffalo 20 oz Stainless Steel Tumbler, Red,” dated Dec. 22, 2016, downloaded from <https://www.amazon.com/Silver-Bufferalo-Stainless-Steel-Tumbler/dp/B01MT1T7WG> Jun. 13, 2018, 1 page.

Liquid Logic, “Pro32: Double Wall, Insulated Vacuum, Condensation Free Tumbler,” dated Apr. 5, 2016, Downloaded from [www.amazon.com/Pro32-Insulated-Condensation-Tumbler-Stainless/dp/B01DUBM6CO/ref=lp\\_2595554011\\_1\\_7?srs=2595554011&ie=UTF8&](http://www.amazon.com/Pro32-Insulated-Condensation-Tumbler-Stainless/dp/B01DUBM6CO/ref=lp_2595554011_1_7?srs=2595554011&ie=UTF8&) Jun. 13, 2018, 1 page.

Ninja, “Ninja Single Serve Cup Set,” dated Jul. 13, 2013, downloaded from [https://www.amazon.com/...UTF8&pd\\_rd\\_i=B011IW4XD8&pd\\_rd\\_r=4CQK27ABX6AHV038GMGF&pd\\_rd\\_w=jABEu&pd\\_rd\\_wg=zgOK2&pvc=1](https://www.amazon.com/...UTF8&pd_rd_i=B011IW4XD8&pd_rd_r=4CQK27ABX6AHV038GMGF&pd_rd_w=jABEu&pd_rd_wg=zgOK2&pvc=1) on Mar. 9, 2017, 3 pages.

OtterBox, “OtterBox Elevation Tumbler (20oz),” dated Jul. 10, 2018, downloaded from <https://www.amazon.com/OtterBox-Elevation-Tumbler-Global-Stainless/dp/BOOZ7RVVN6> Dec. 15, 2018, 1 page.

Otterbox, “Elevation 10 & 20 Closed Lid,” downloaded from [https://www.otterbox.com/en-us/elevation-10-20/closed-lid/78-51779.html?KPID=78-51779.html?KPID=78-51779&scid=?eml\\_pop=no&gclid=Cj0KCQiAtvPjBRDPAIsAJfZz0pvo6AuVi-907lIGN3Ldy\\_bZz8-o](https://www.otterbox.com/en-us/elevation-10-20/closed-lid/78-51779.html?KPID=78-51779.html?KPID=78-51779&scid=?eml_pop=no&gclid=Cj0KCQiAtvPjBRDPAIsAJfZz0pvo6AuVi-907lIGN3Ldy_bZz8-o) Mar. 4, 2019, 1 page.

Otterbox, “OtterBox Elevation Tumbler with Flip Lid (20 oz),” dated Aug. 30, 2018, downloaded from [https://www.amazon.com/Otterbox-Elevation-Tumbler-Flip-Lid/dp/B07DHX4NS9/ref=sr\\_\\_3?ie=UTF8&qid=1549297189&sr=8-3&keywords=Elevation+20+Tumbler](https://www.amazon.com/Otterbox-Elevation-Tumbler-Flip-Lid/dp/B07DHX4NS9/ref=sr__3?ie=UTF8&qid=1549297189&sr=8-3&keywords=Elevation+20+Tumbler) Feb. 4, 2019, 1 page.

Amazon website, OtterBox Elevation Growler w/Twist on Lid, Publication date unknown, (site visited Jun. 29, 2019), Available on the internet URL [www.amazon.com/Otterbox-Elevation-Growler-Silver-Panther/dp/B07R69TTPF/](http://www.amazon.com/Otterbox-Elevation-Growler-Silver-Panther/dp/B07R69TTPF/) (Year: 2019), 1 page.

\* cited by examiner

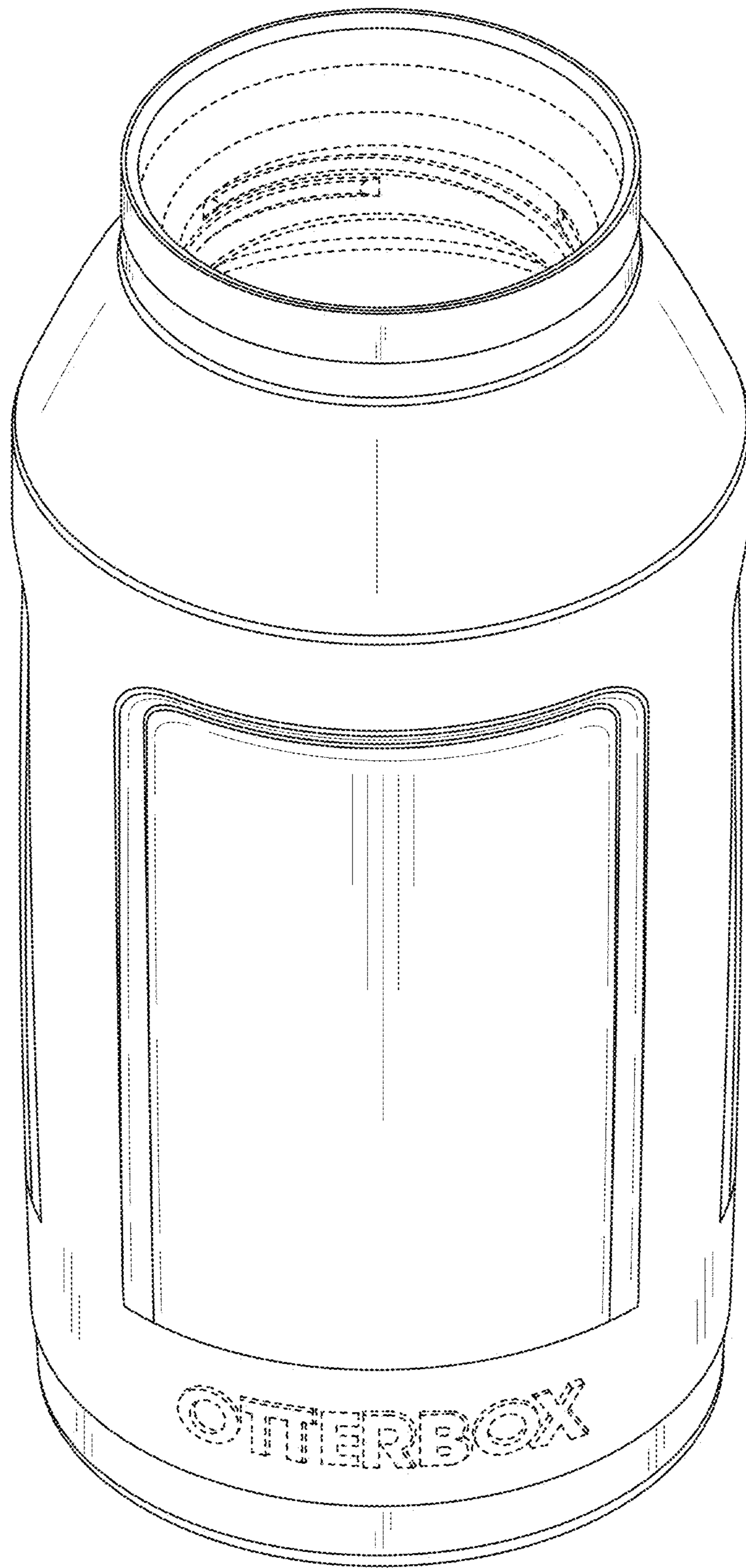


FIG. 1

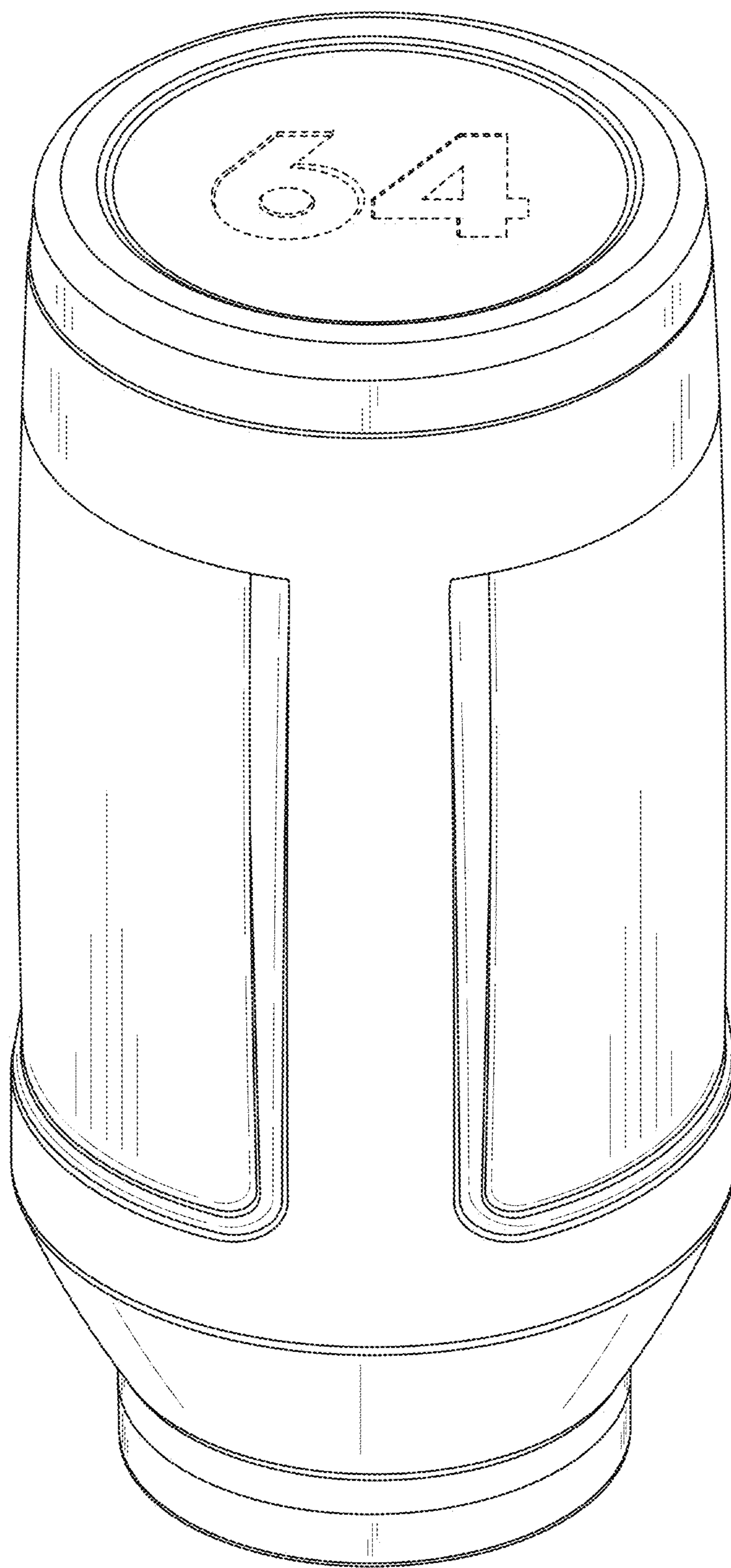


FIG. 2

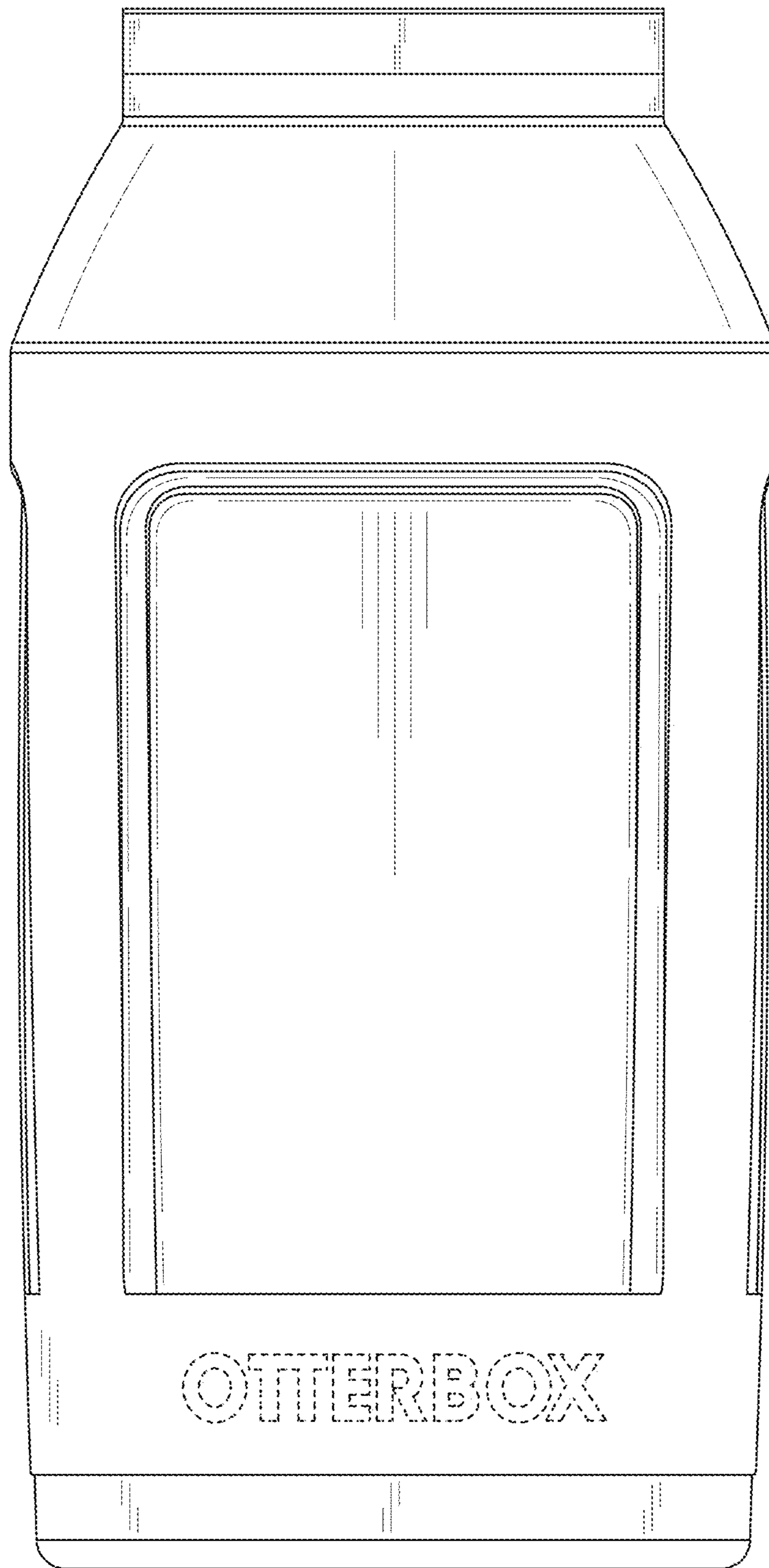


FIG. 3

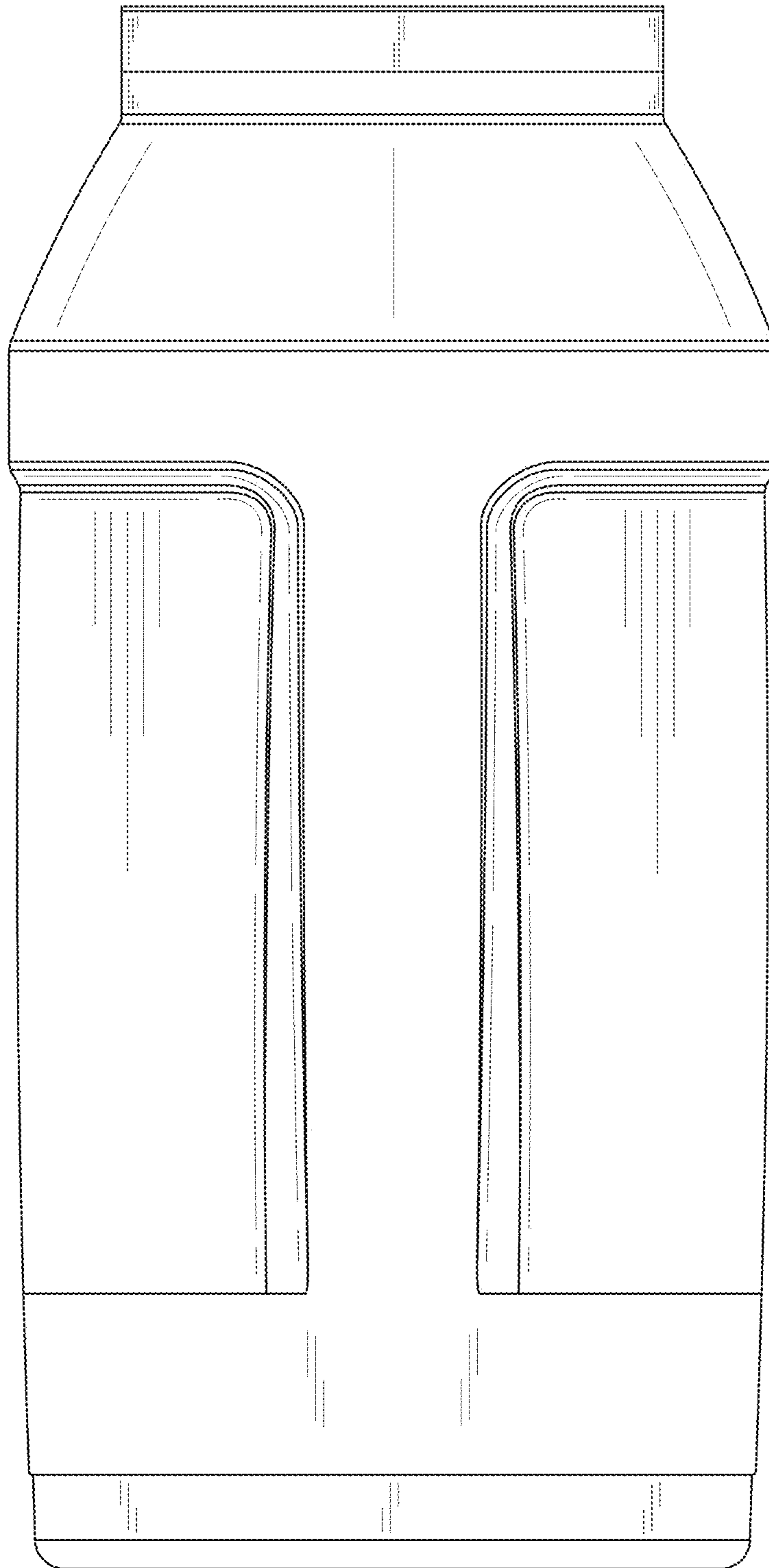


FIG. 4



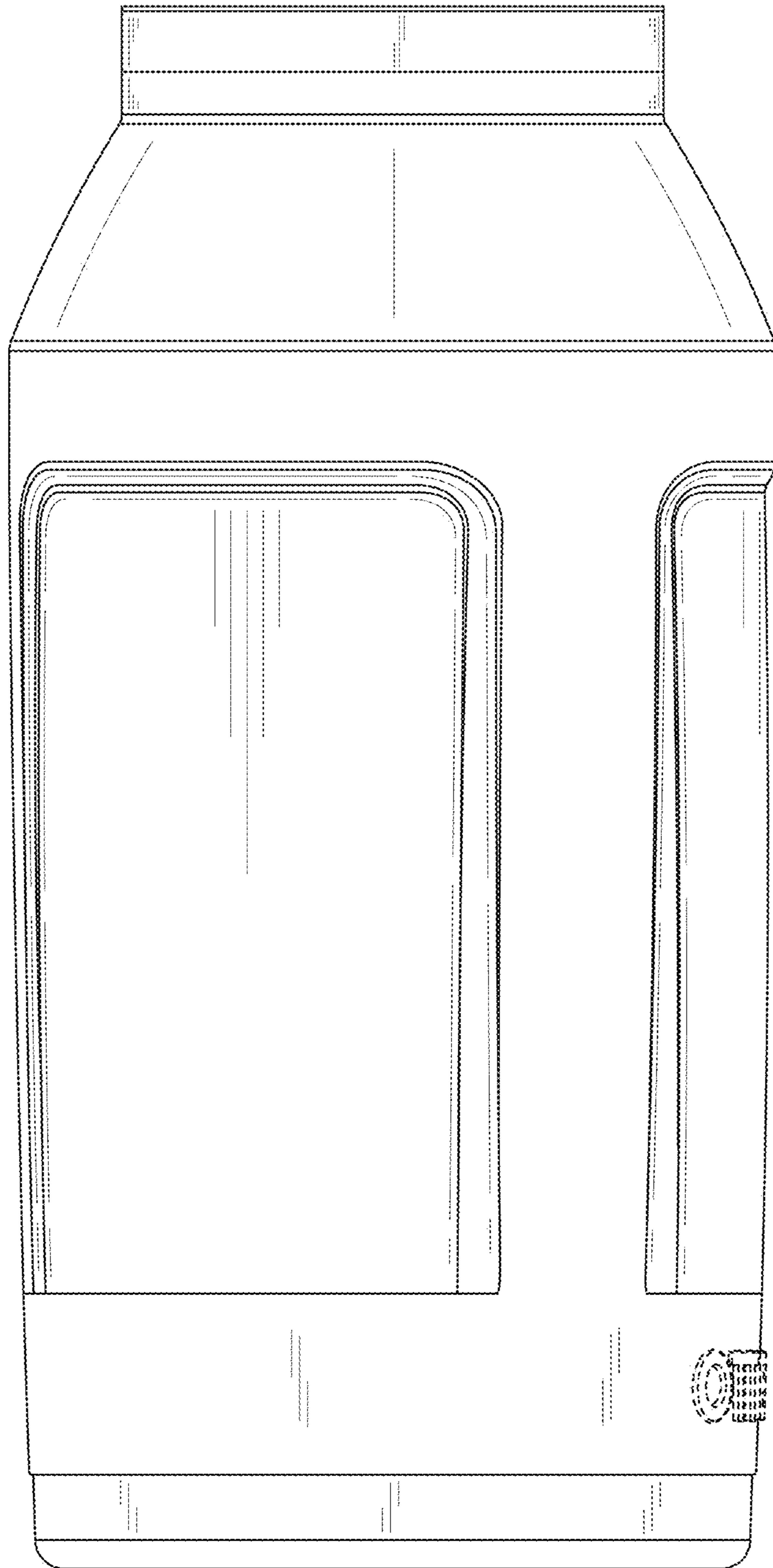


FIG. 5

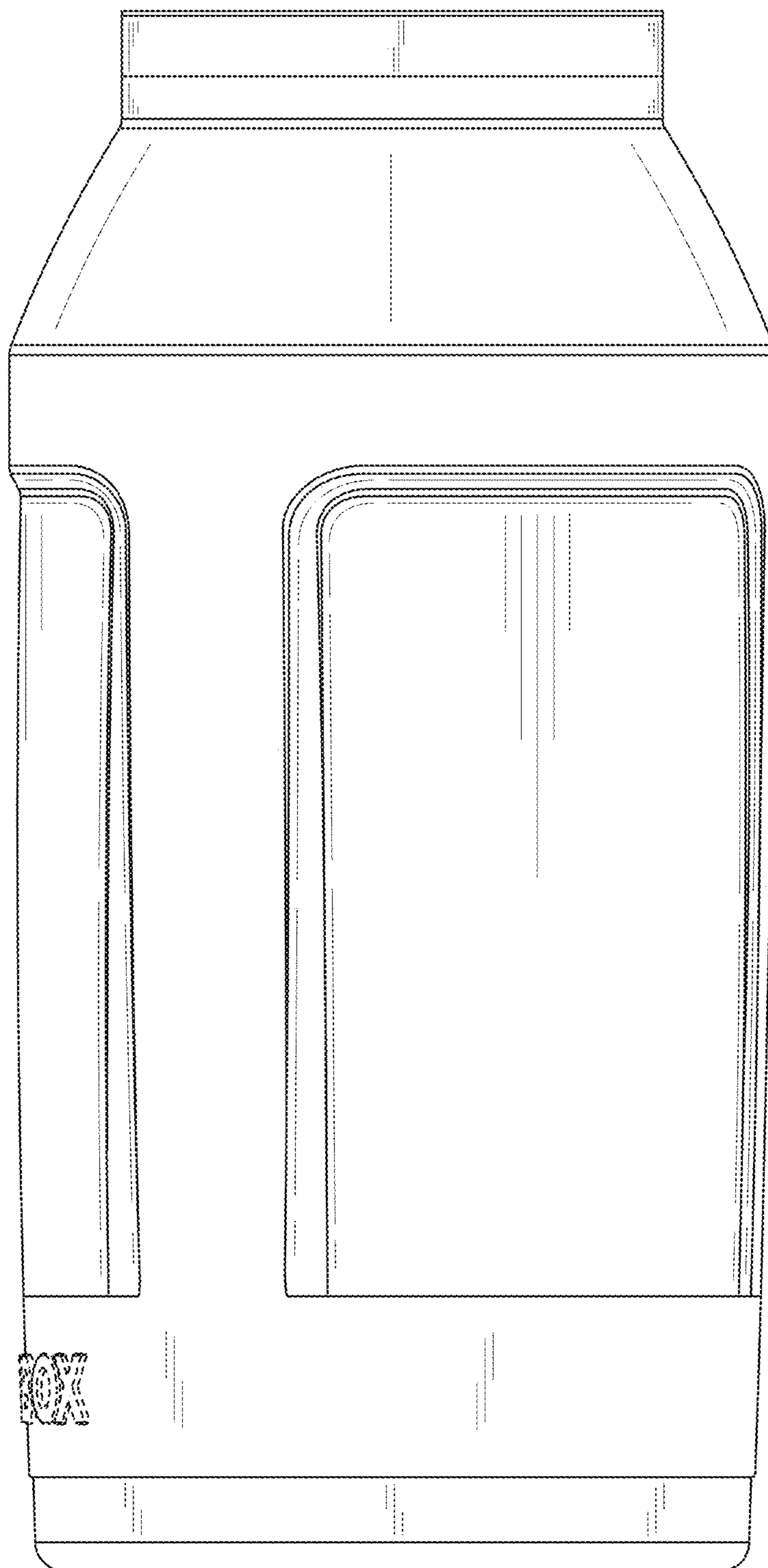


FIG. 6

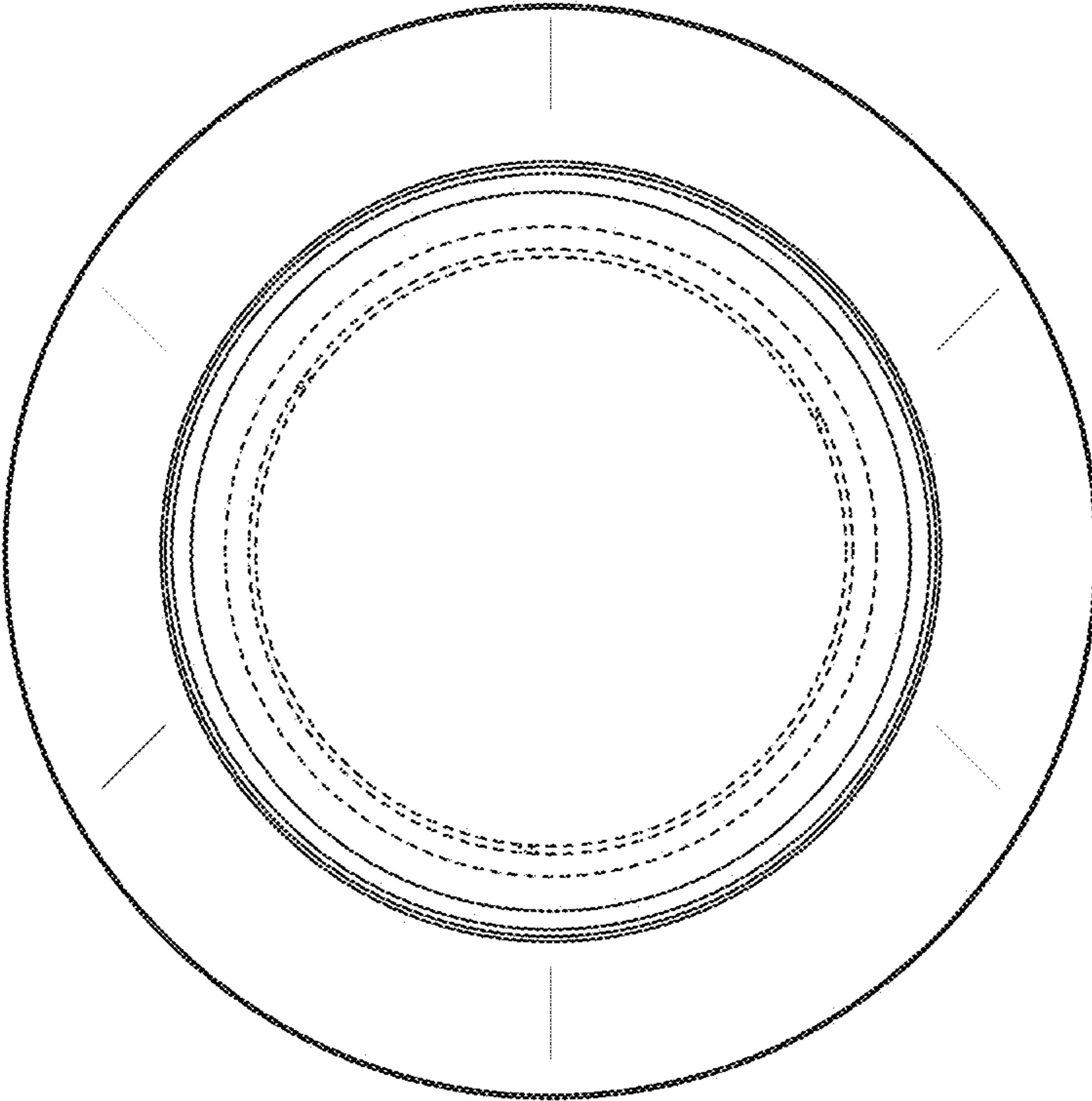


FIG. 7

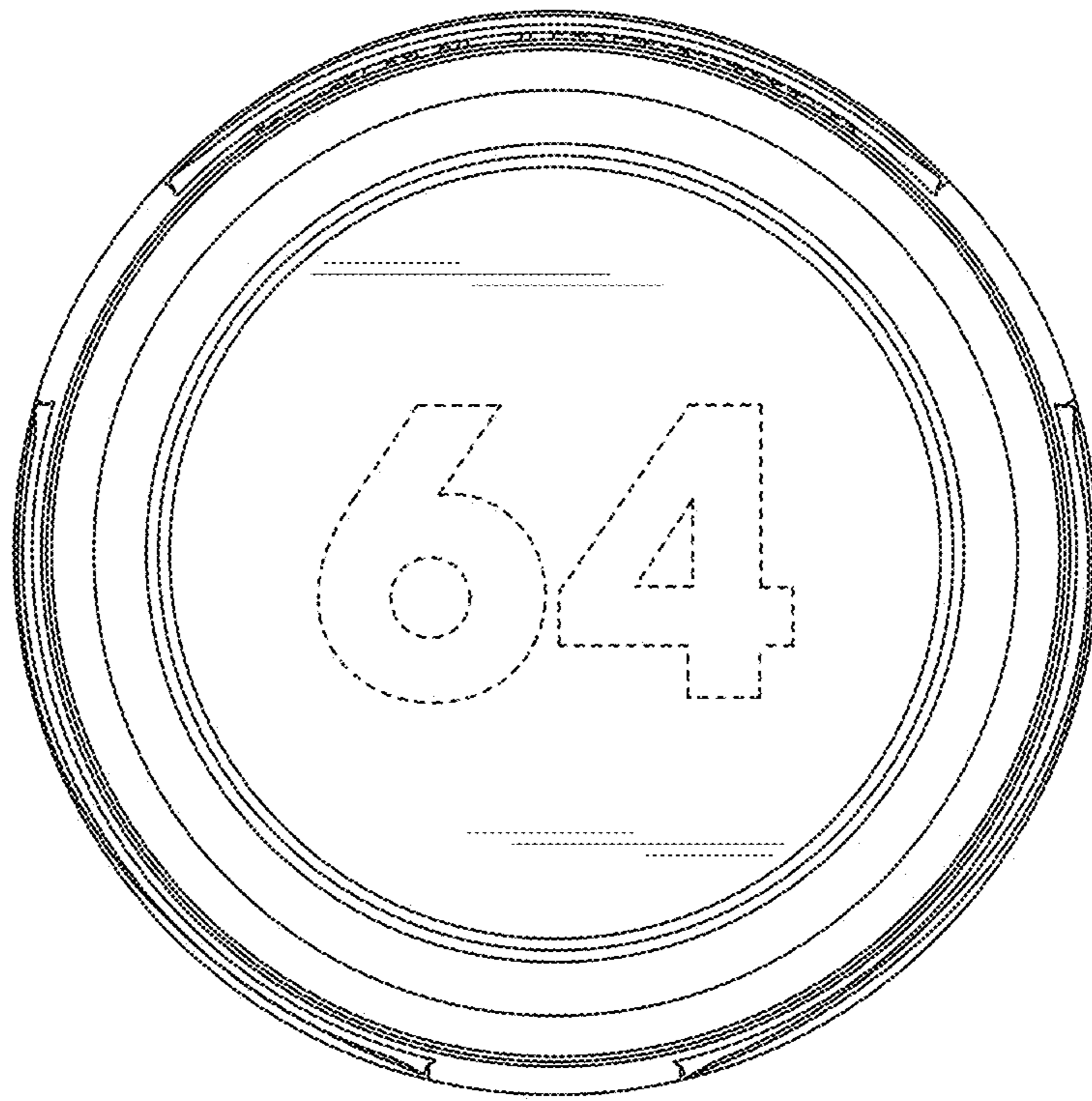


FIG. 8