



US00D885840S

(12) **United States Design Patent**
Song

(10) **Patent No.:** **US D885,840 S**

(45) **Date of Patent:** **** Jun. 2, 2020**

(54) **TEACUP**

(71) Applicant: **Changxin Song**, Xining (CN)

(72) Inventor: **Changxin Song**, Xining (CN)

(**) Term: **15 Years**

(21) Appl. No.: **29/669,703**

(22) Filed: **Nov. 9, 2018**

(51) **LOC (12) Cl.** **07-01**

(52) **U.S. Cl.**
USPC **D7/518; D7/302**

(58) **Field of Classification Search**
USPC D7/301-303, 515-521, 506, 507,
D7/320-322, 312
CPC A47G 19/14
See application file for complete search history.

(56) **References Cited**

U.S. PATENT DOCUMENTS

D240,991 S *	8/1976	Benes	D7/521
D266,976 S *	11/1982	Everhan	D7/536
D281,847 S *	12/1985	Laslo	D7/518
D355,228 S *	2/1995	Hung	D21/670
D355,808 S *	2/1995	Lebowitz	D7/302

D357,158 S *	4/1995	Lin	D7/301
D364,067 S *	11/1995	Ancona	D7/301
D500,627 S *	1/2005	Ranzoni	D7/321
D593,800 S *	6/2009	Hone	D7/505
2012/0132651 A1 *	5/2012	Melzer	A47G 19/14 220/212

* cited by examiner

Primary Examiner — Marianne N Pandozzi

(74) *Attorney, Agent, or Firm* — Seed Intellectual Property Law Group LLP

(57) **CLAIM**

The ornamental design for a teacup, as shown and described.

DESCRIPTION

FIG. 1 is a top, front left perspective view of a teacup showing my new design.

FIG. 2 is a front elevation view thereof.

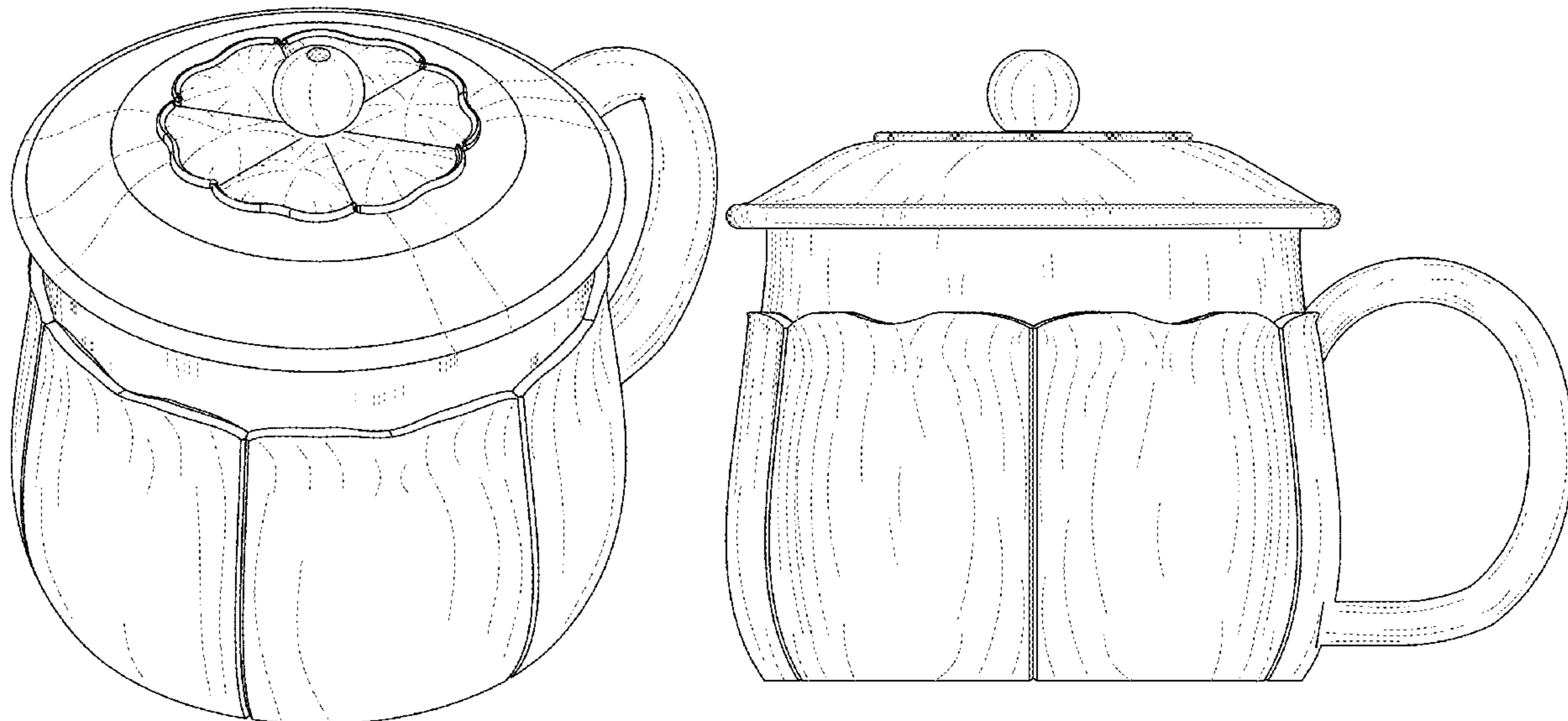
FIG. 3 is a rear elevation view thereof.

FIG. 4 is a top plan view thereof.

FIG. 5 is a left side elevation view thereof; and,

FIG. 6 is a right side elevation view thereof.

1 Claim, 6 Drawing Sheets



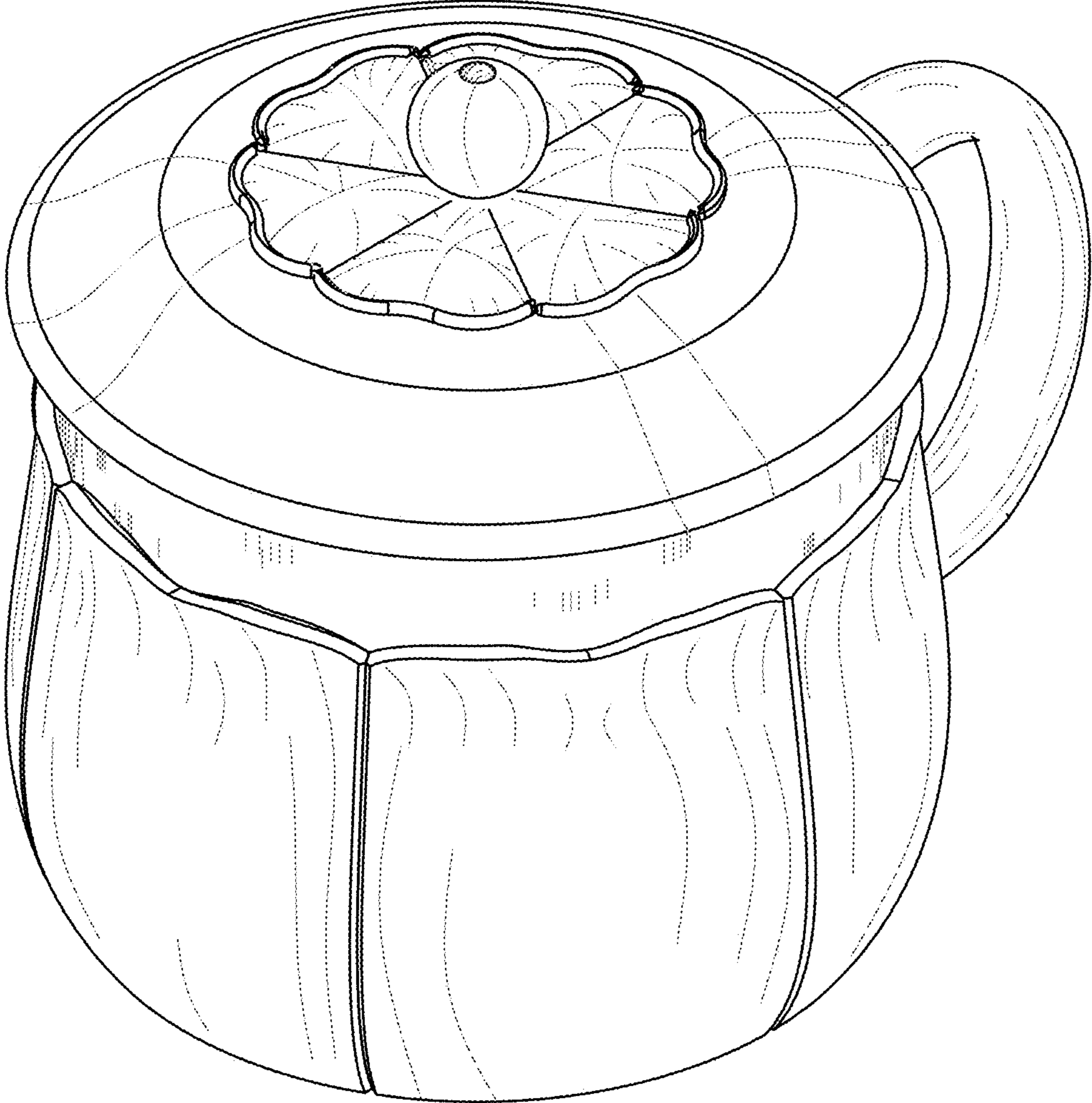


Fig. 1

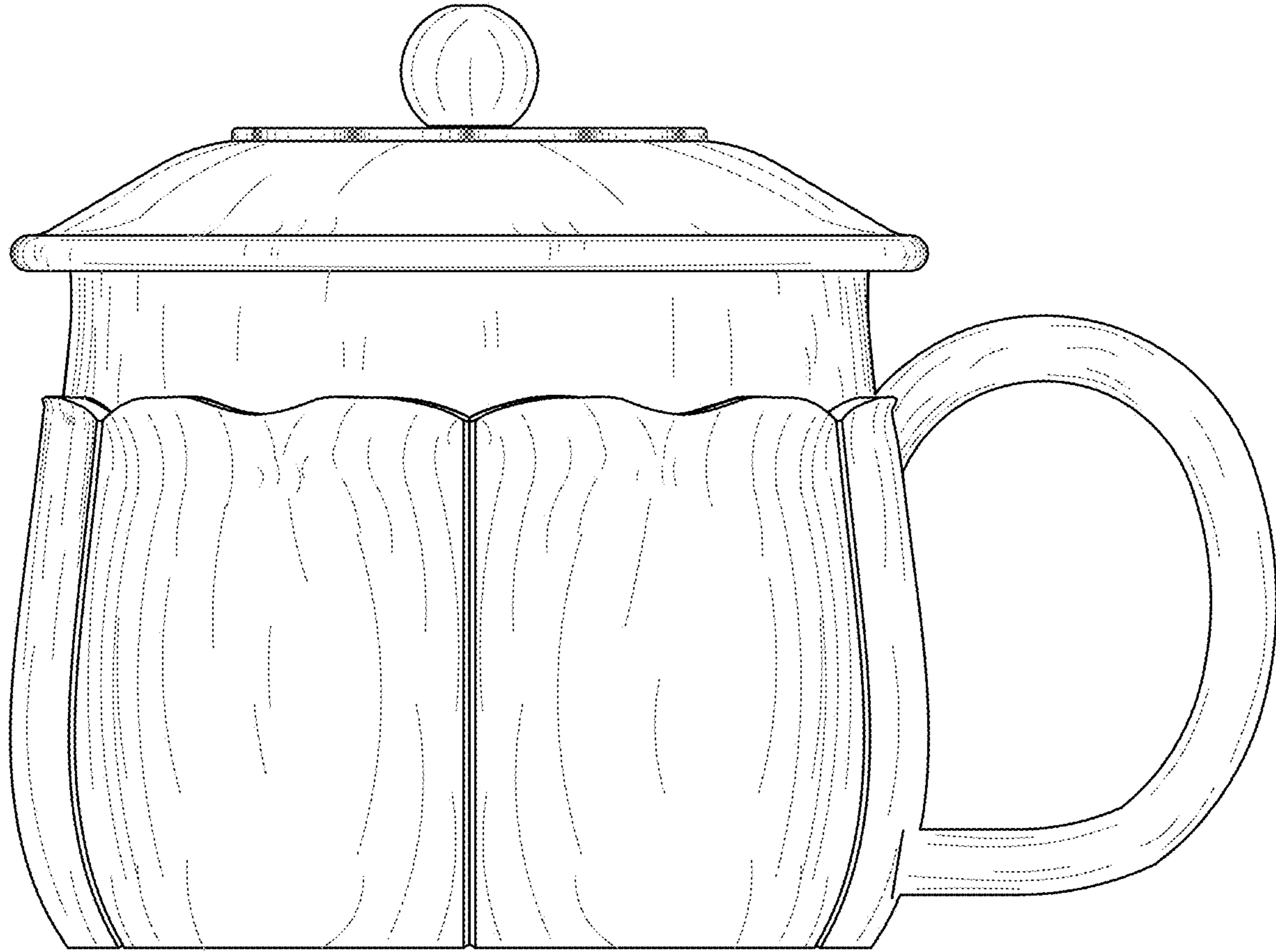


Fig.2

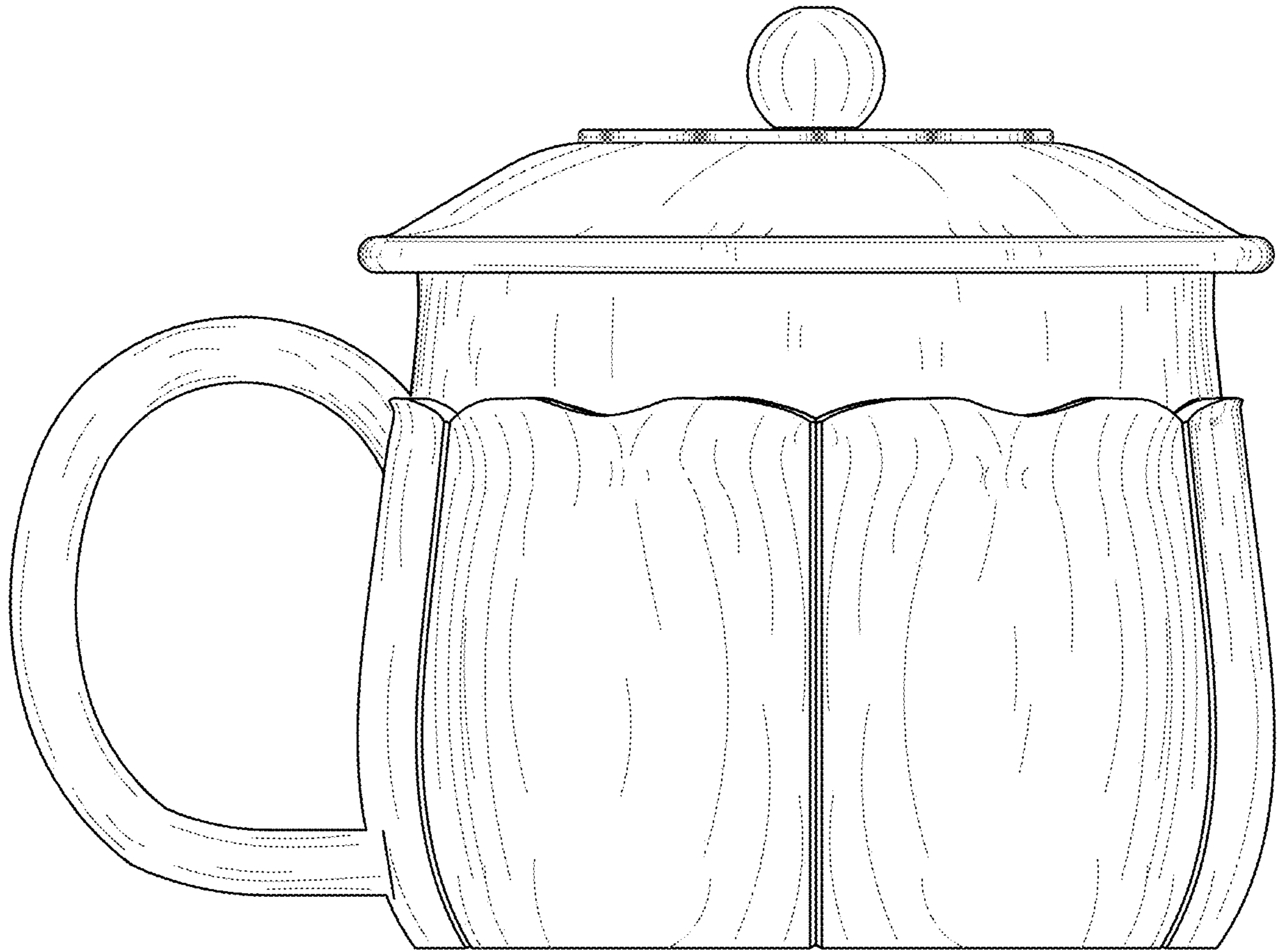


Fig. 3

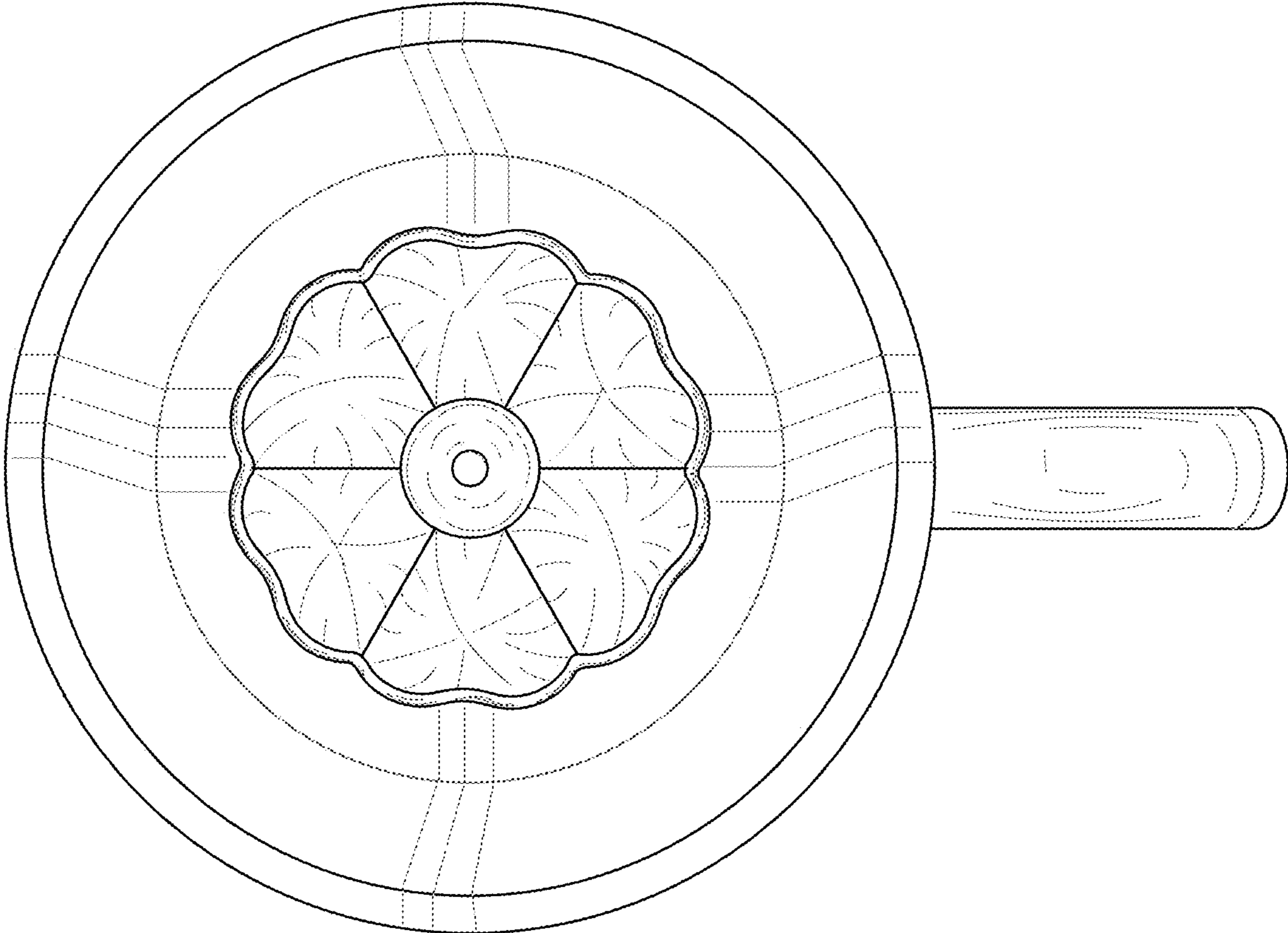


Fig.4

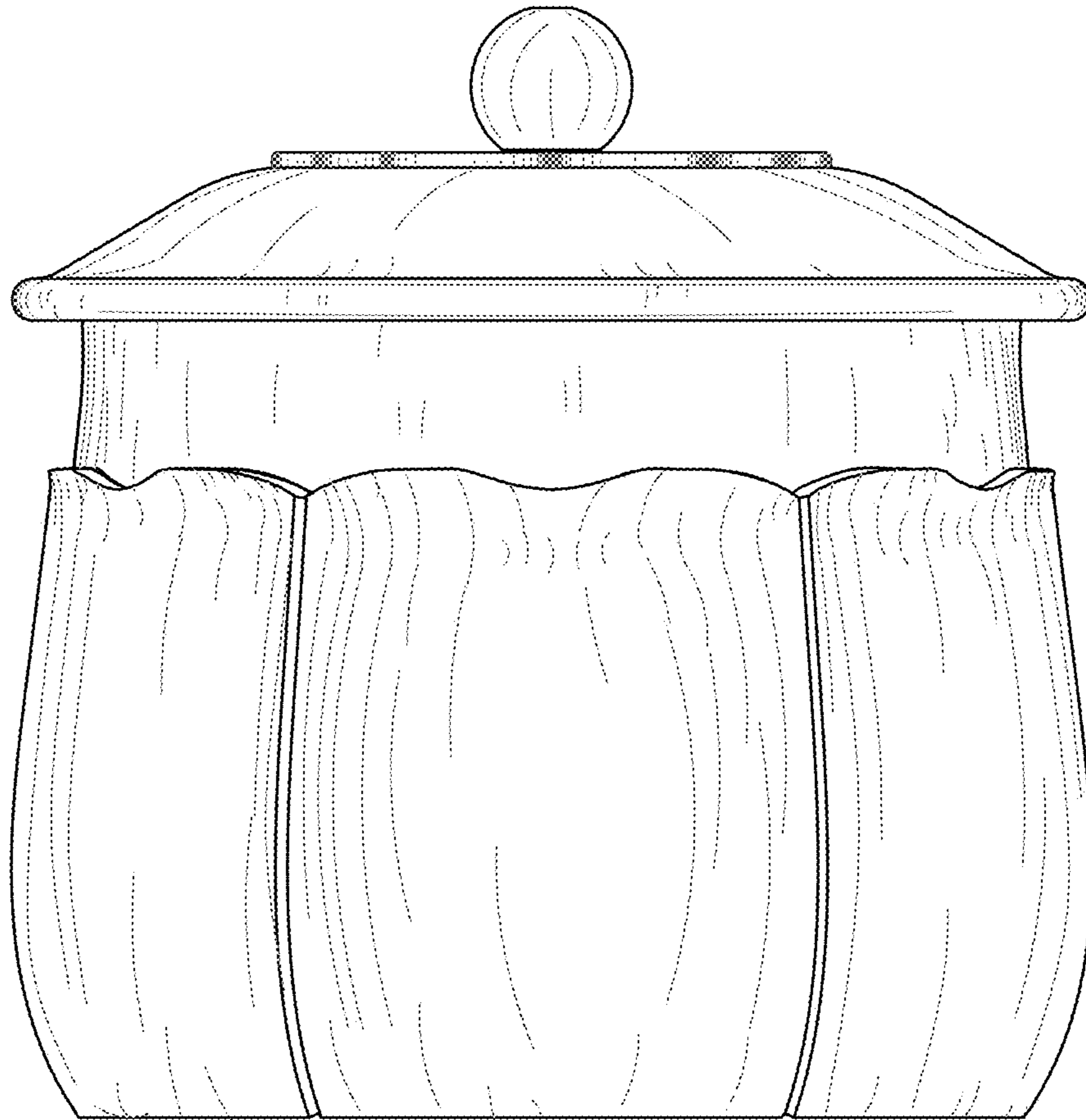


Fig. 5

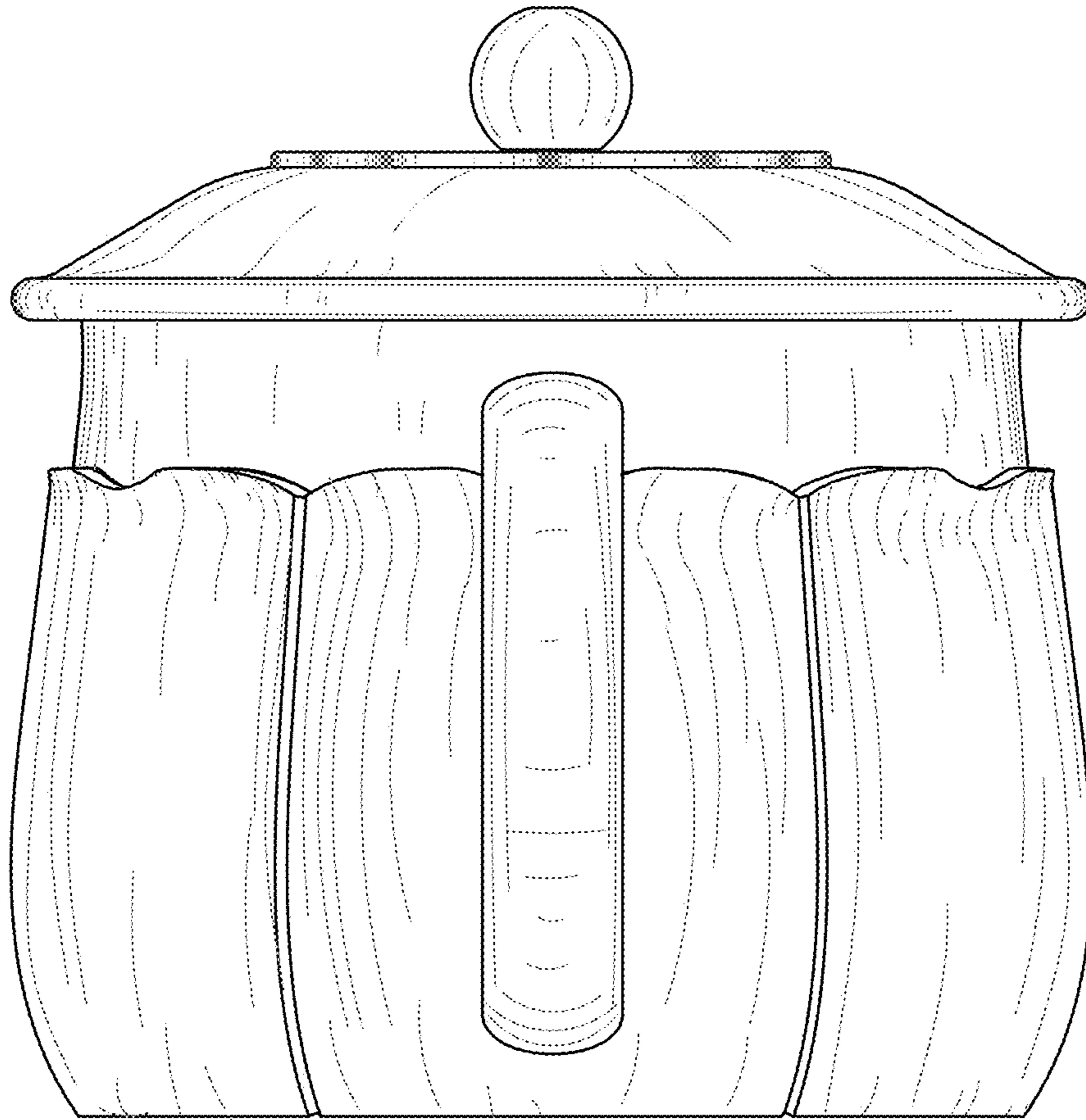


Fig. 6