



US00D885832S

(12) **United States Design Patent**  
**Wilens et al.**

(10) **Patent No.:** **US D885,832 S**

(45) **Date of Patent:** **\*\* Jun. 2, 2020**

(54) **TAP ASSEMBLY FOR A BEVERAGE DISPENSER**

(71) Applicant: **Heineken Supply Chain B.V.**,  
Amsterdam (NL)

(72) Inventors: **Bouke Wilens**, Amersfoort (NL);  
**Rudolf Klaas Van Beelen**, The Hague (NL)

(73) Assignee: **Heineken Supply Chain B.V.**,  
Amsterdam (NL)

(\*\*) Term: **15 Years**

(21) Appl. No.: **29/653,084**

(22) Filed: **Jun. 12, 2018**

(30) **Foreign Application Priority Data**

Dec. 13, 2017 (EM) ..... 004546331-0002

(51) **LOC (12) Cl.** ..... **07-99**

(52) **U.S. Cl.**  
USPC ..... **D7/398; D7/397; D7/392.1; D7/396.2**

(58) **Field of Classification Search**  
USPC ..... D7/387, 392.1, 396.2, 393, 394, 397,  
D7/398, 213, 900, 507, 523, 532, 510,  
D7/511, 529, 533, 536, 534, 524, 537,  
D7/514, 515, 522, 412, 376, 309, 305,  
D7/665, 300.1, 300.2, 317, 318, 313, 311;  
D9/435, 436, 443, 442, 444, 449, 450,  
D9/437, 447, 520, 538, 503; D24/197  
CPC ..... A47G 19/2205; A47G 19/22; A47J 43/27;  
A47J 41/02; A47J 41/0077; A47J  
41/0088; A47J 41/028; A47J 31/407;  
A47J 31/40; A45F 3/16; B65D 85/804;  
B65D 41/04; F17C 13/04; H04B 10/2504  
See application file for complete search history.

(56) **References Cited**

U.S. PATENT DOCUMENTS

D255,798 S \* 7/1980 Wiedmann ..... 137/212  
D315,847 S \* 4/1991 Sebillotte ..... D7/358

D338,594 S \* 8/1993 Stenger ..... D7/300.1  
D474,403 S \* 5/2003 Fahy ..... D9/448  
D478,504 S \* 8/2003 Crozet ..... D9/708  
D525,828 S \* 8/2006 Daniels, Jr. .... D7/398  
D558,950 S \* 1/2008 Brans ..... D34/39  
D564,303 S \* 3/2008 Zell ..... D7/387  
D615,340 S \* 5/2010 Taggart ..... D7/306  
D615,353 S \* 5/2010 Taggart ..... D7/393  
D637,867 S \* 5/2011 Wang ..... D7/397

(Continued)

*Primary Examiner* — Jae Liang

(74) *Attorney, Agent, or Firm* — Fross Zelnick Lehrman  
& Zissu, P.C.; Charles T. J. Weigell

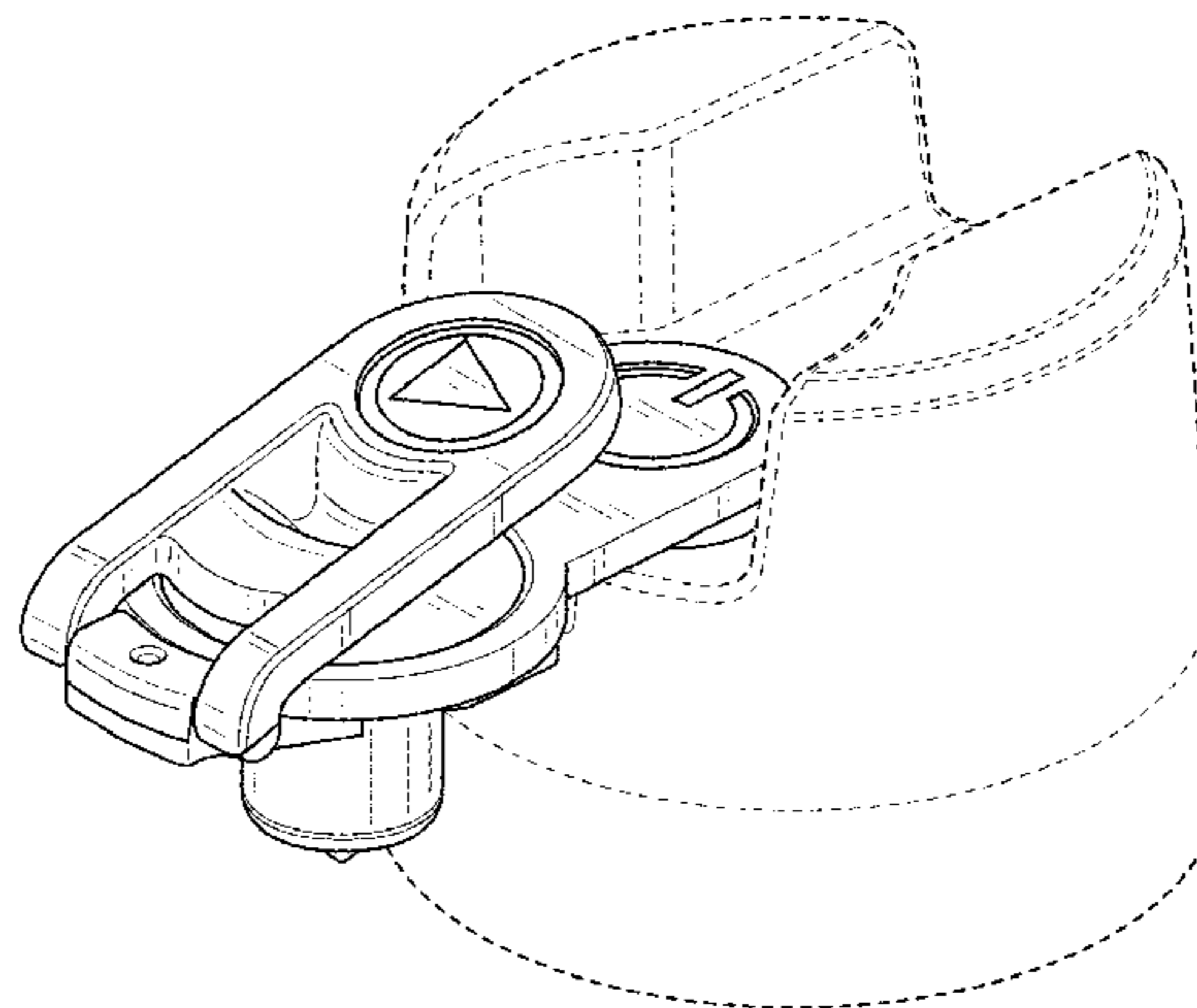
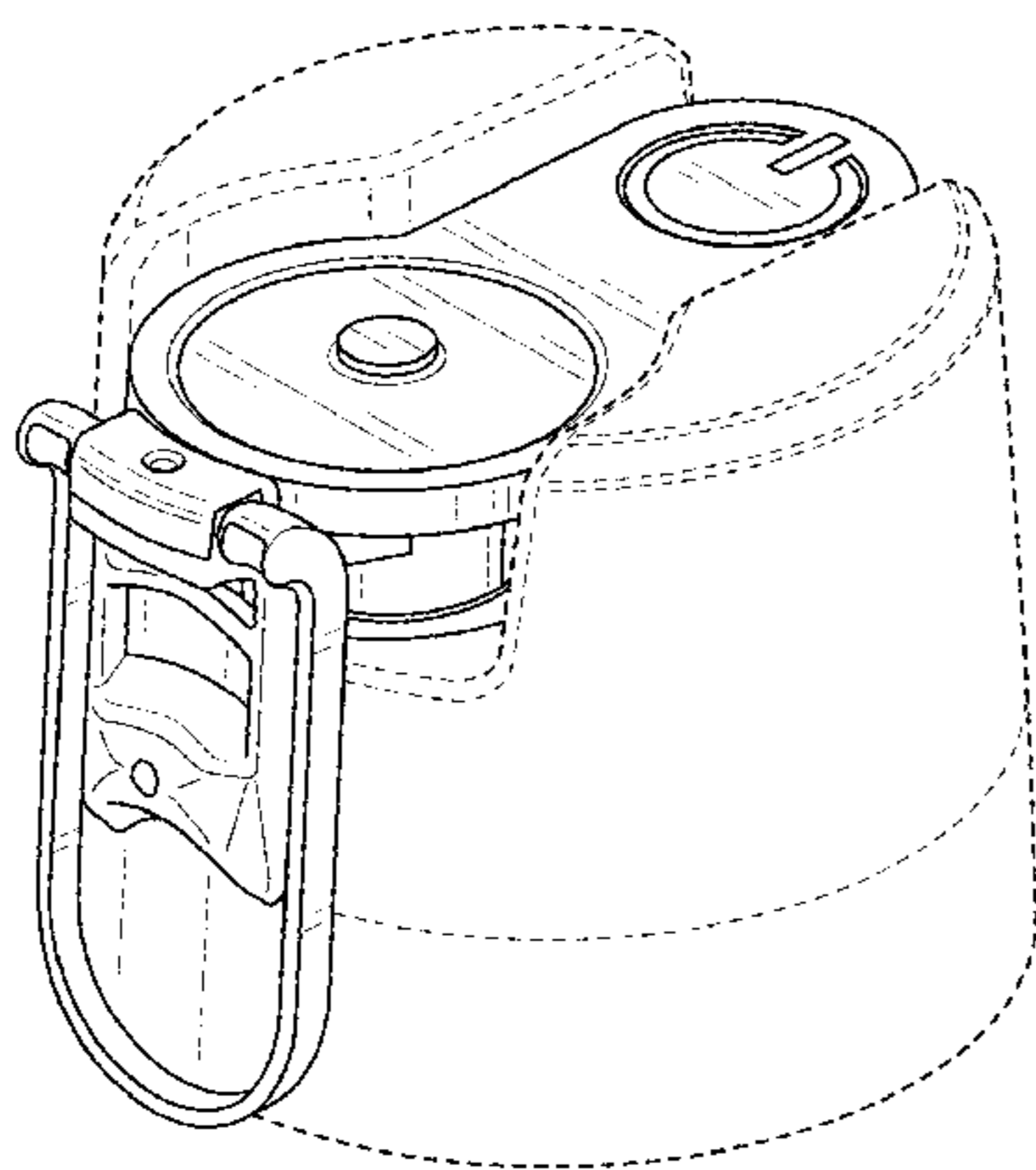
(57) **CLAIM**

The ornamental design for a tap assembly for a beverage dispenser, as shown and described.

**DESCRIPTION**

FIG. 1 is a front perspective view of a tap assembly for a beverage dispenser in a tap folded position, showing the new design;  
FIG. 2 is a rear perspective view of the tap assembly for a beverage dispenser in the tap folded position;  
FIG. 3 is a top view of the tap assembly for a beverage dispenser in the tap folded position;  
FIG. 4 is a front perspective view of the tap assembly for a beverage dispenser in a tap unfolded position;  
FIG. 5 is a rear perspective view of the tap assembly for a beverage dispenser in the tap unfolded position;  
FIG. 6 is a side view of the tap assembly for a beverage dispenser in the tap unfolded position; and,  
FIG. 7 is a top view of the tap assembly for a beverage dispenser in the tap unfolded position.  
The broken lines in the drawings depict portions of the tap assembly for a beverage dispenser that form no part of the claimed design.

**1 Claim, 7 Drawing Sheets**



(56)

**References Cited**

U.S. PATENT DOCUMENTS

D652,299 S *	1/2012	Taylor .....	D9/448
D739,676 S *	9/2015	Yessin .....	D7/398
D789,131 S *	6/2017	Roberts .....	D7/306
D836,978 S *	1/2019	Sonnichsen .....	D7/397

\* cited by examiner

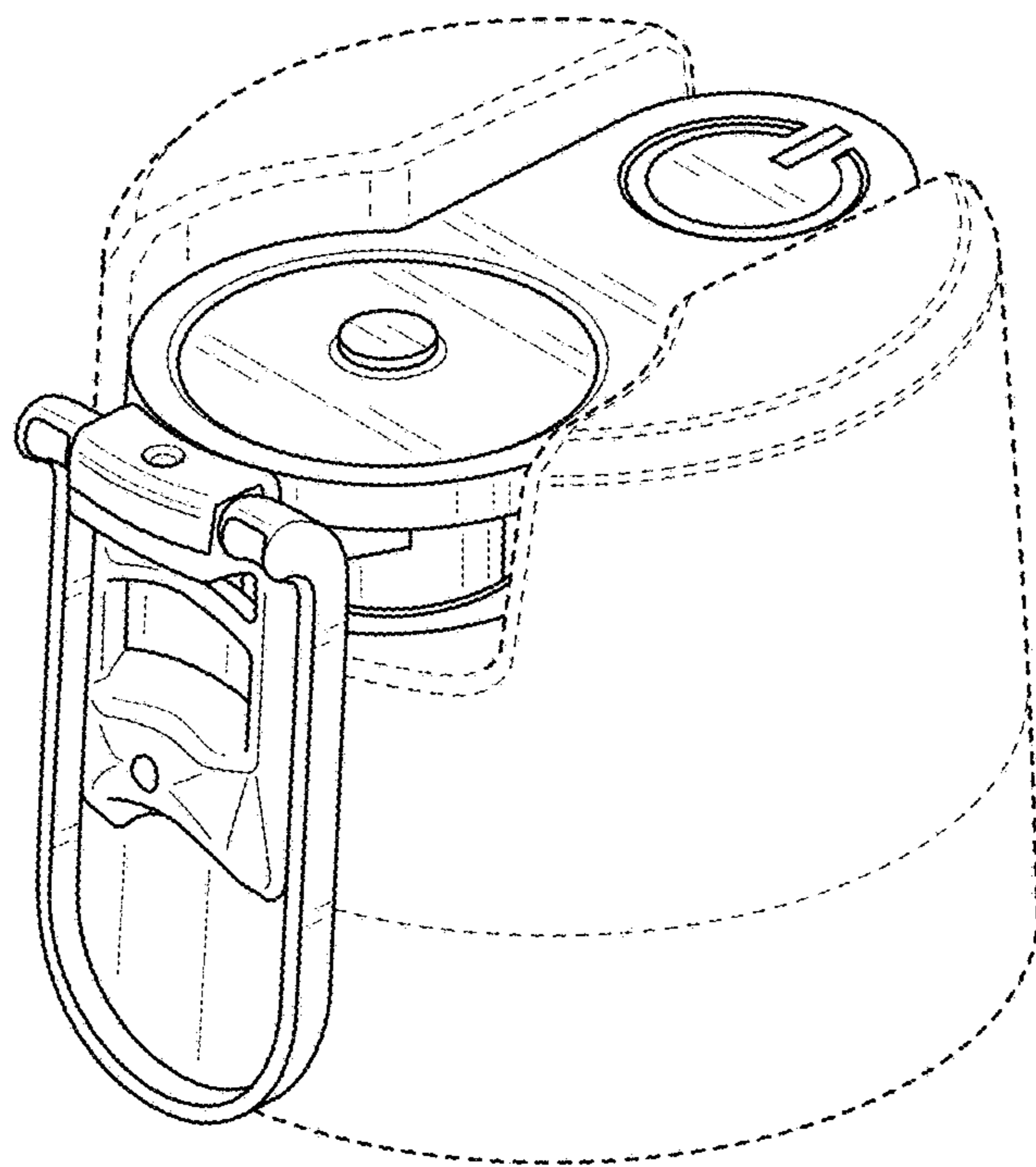


FIG. 1

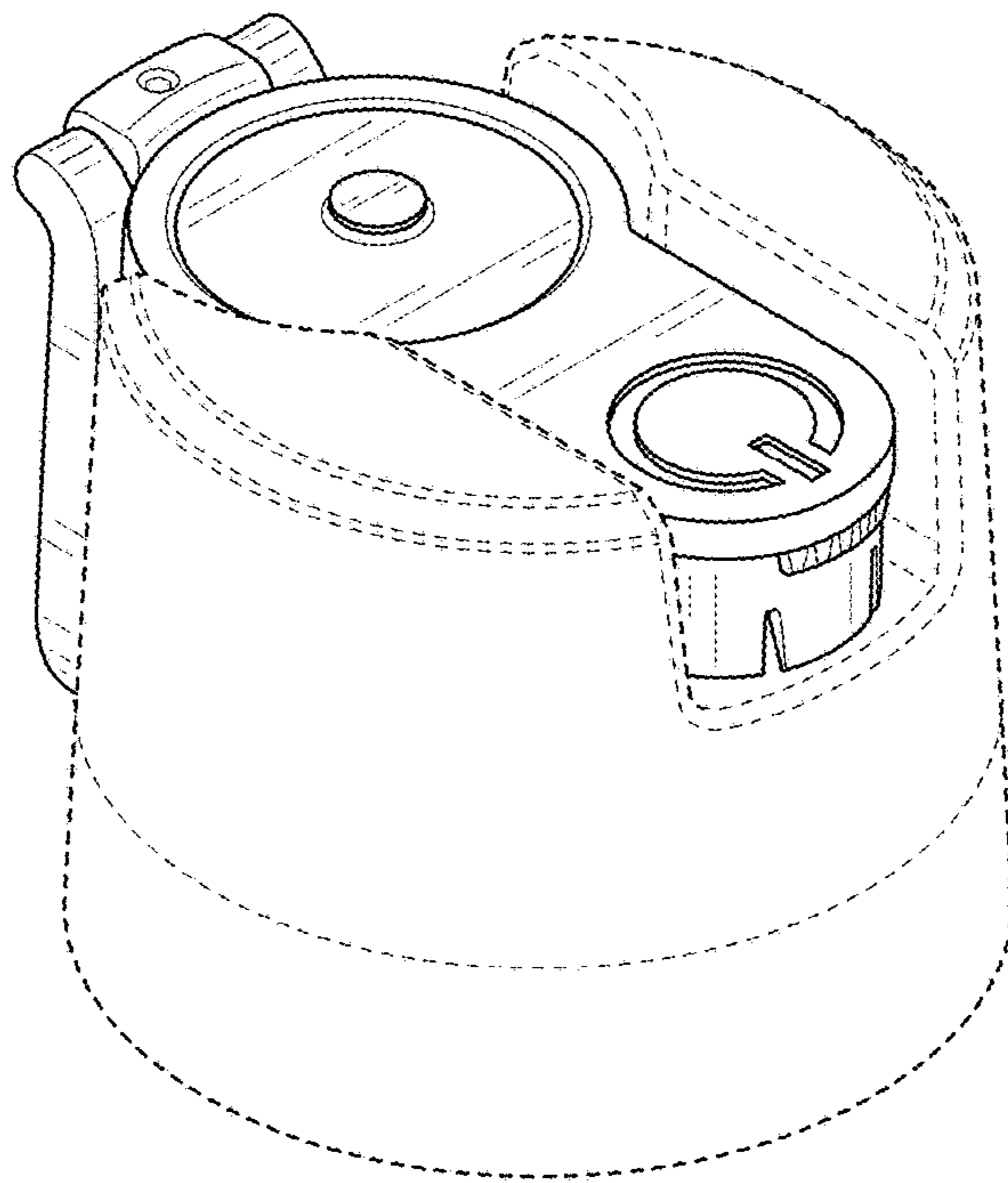


FIG. 2

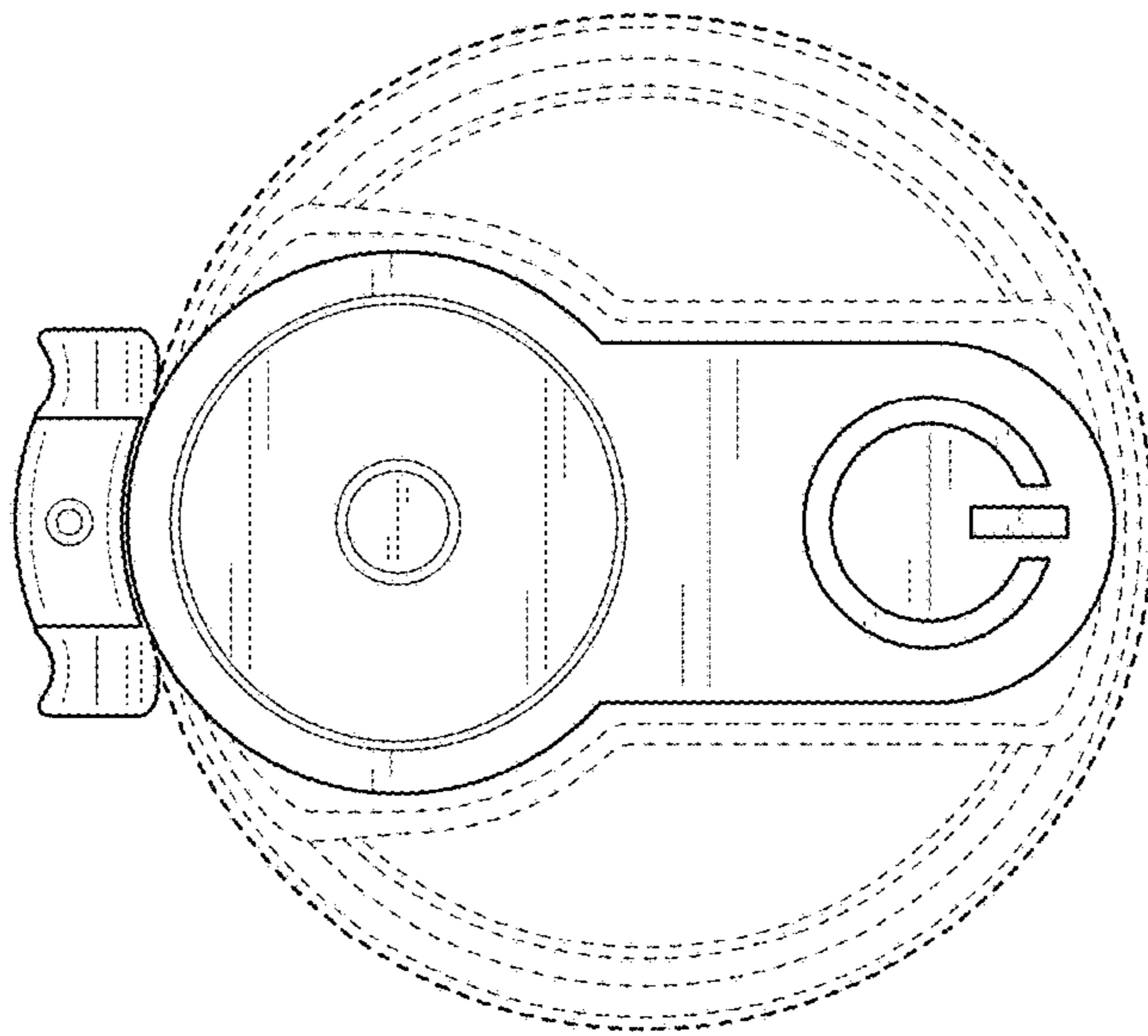


FIG. 3

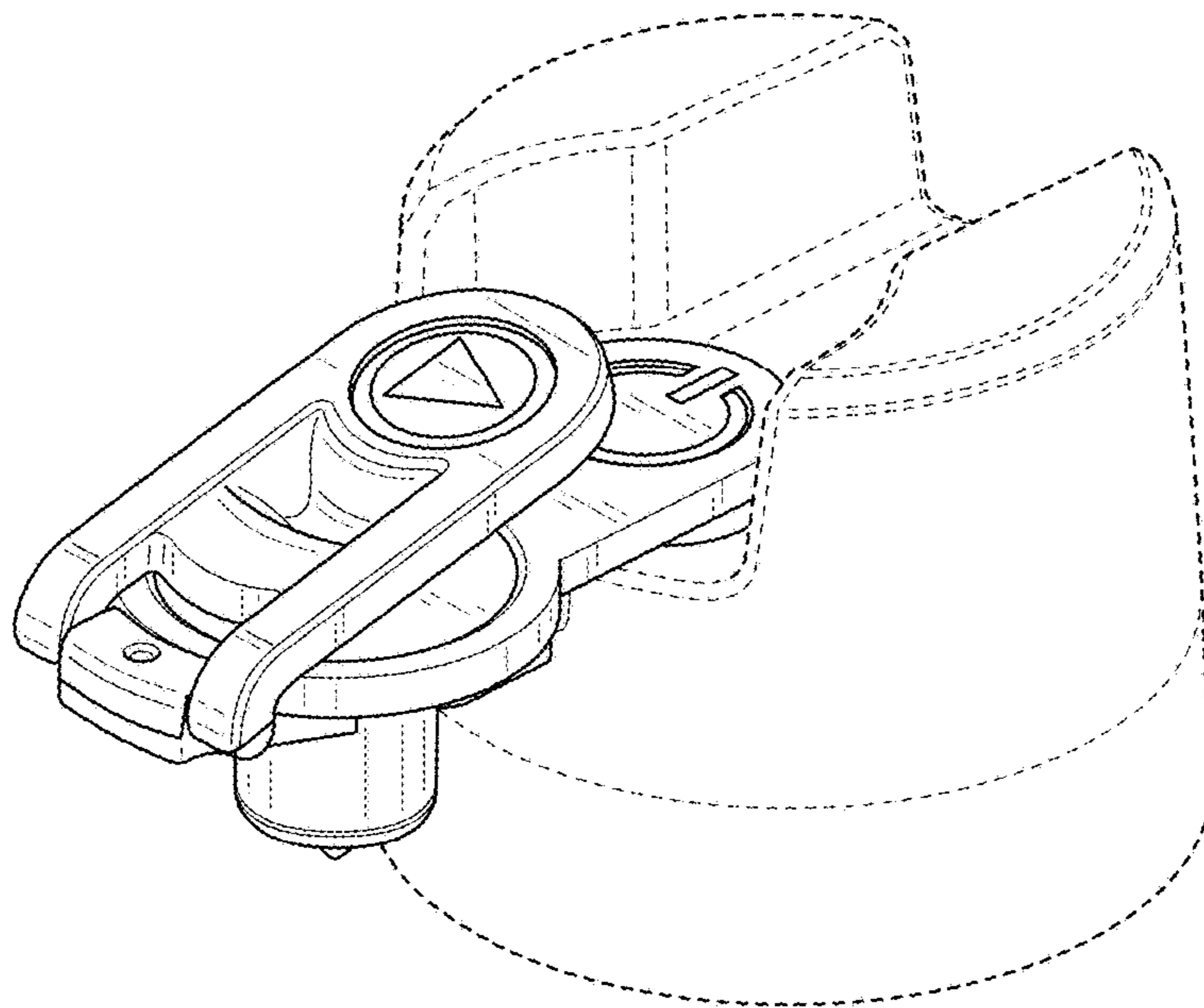


FIG. 4

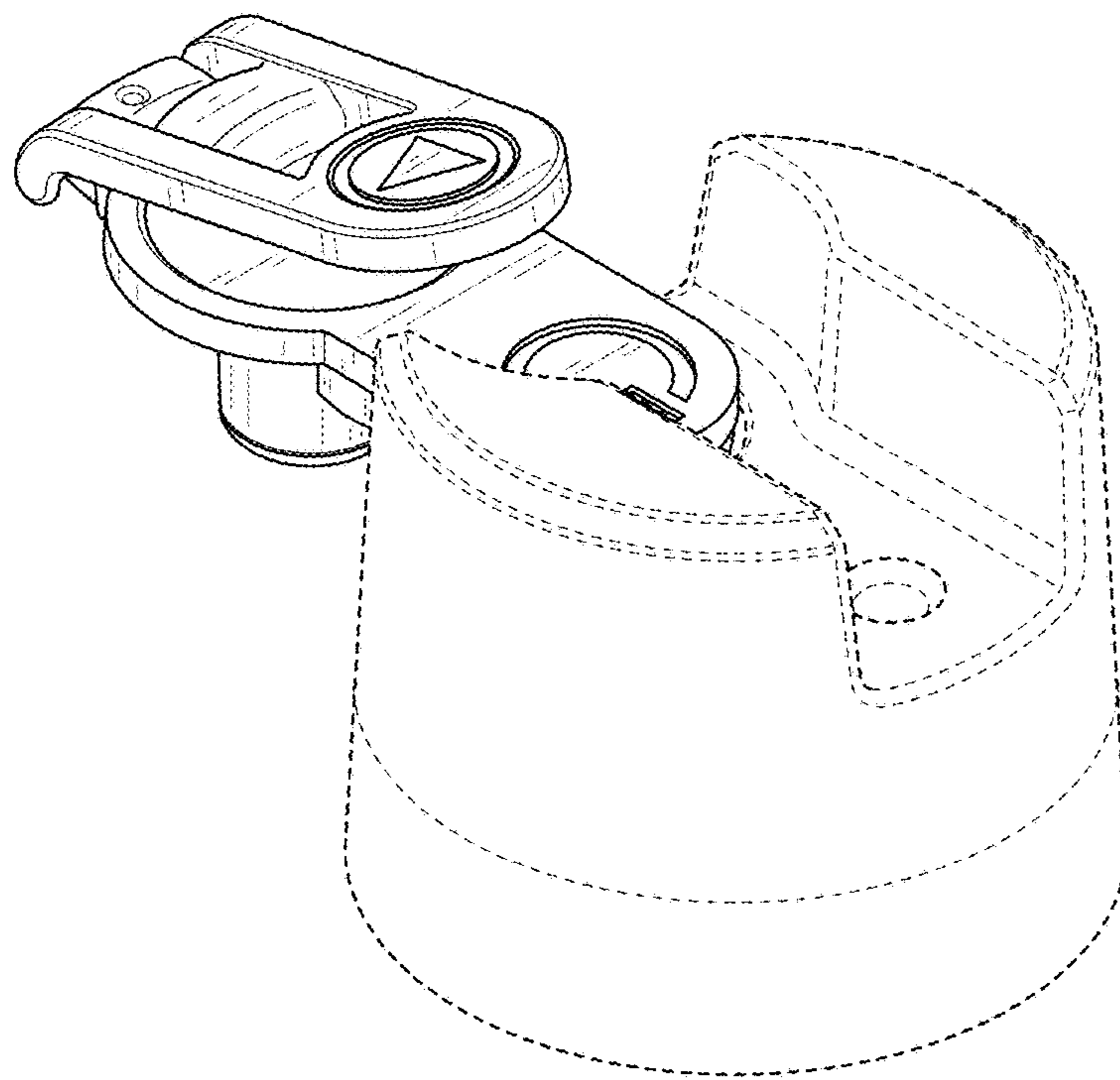


FIG. 5

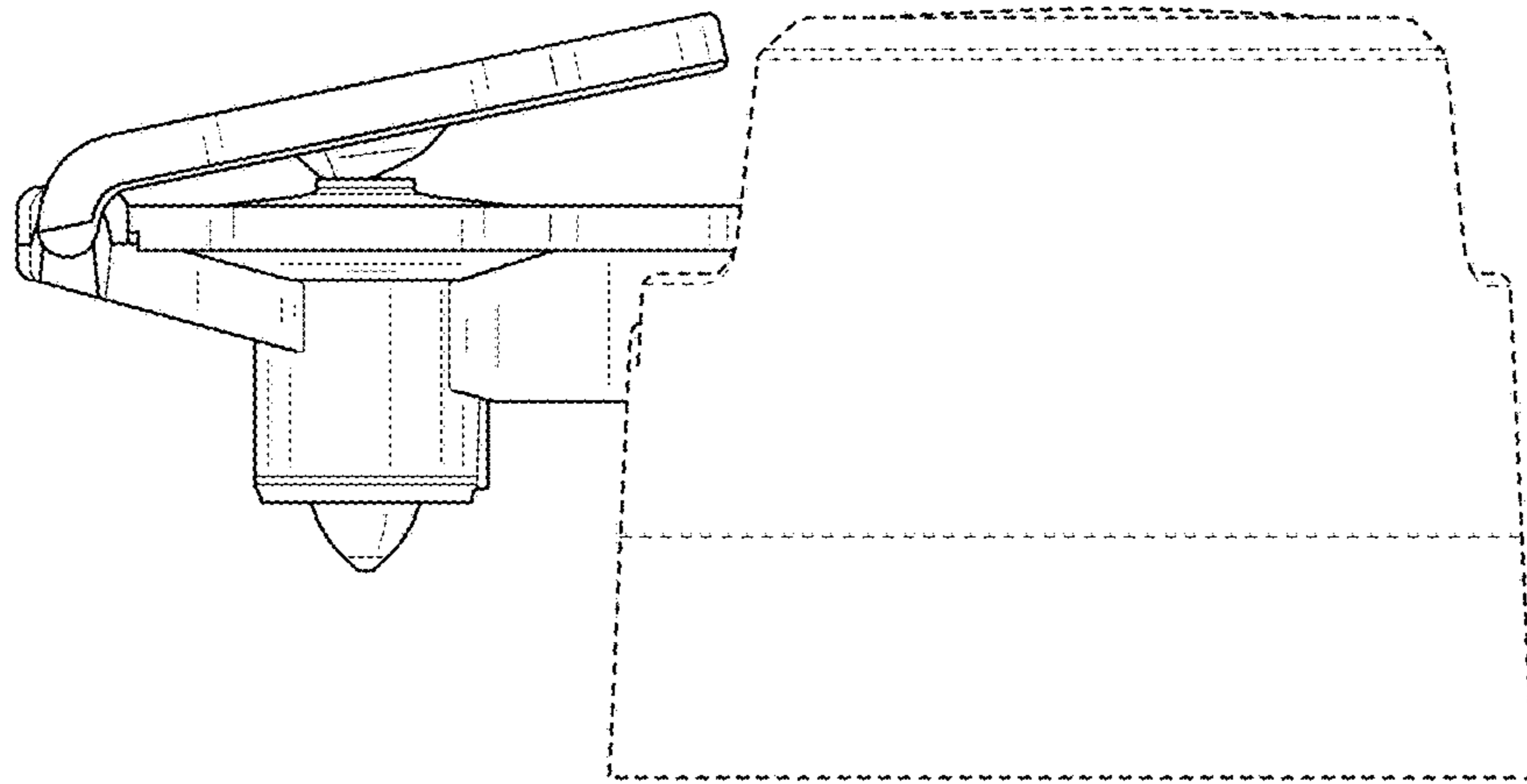


FIG. 6



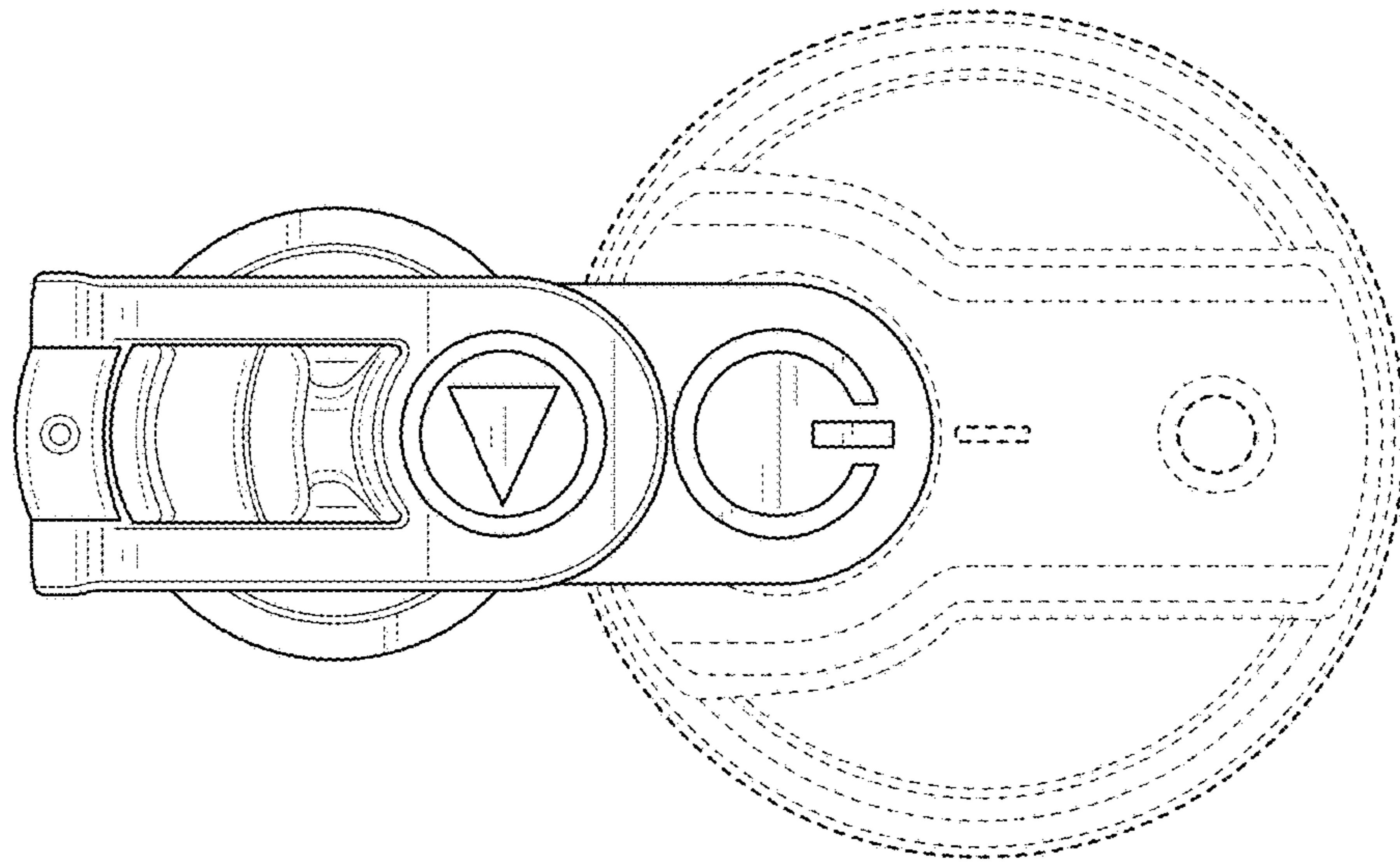


FIG. 7