



US00D885829S

(12) **United States Design Patent** (10) **Patent No.:** **US D885,829 S**
Bodum (45) **Date of Patent:** **** Jun. 2, 2020**

(54) **LID**
(71) Applicant: **PI-Design AG**, Triengen (CH)
(72) Inventor: **Jorgen Bodum**, Meggen (CH)
(73) Assignee: **PI-Design AG**, Triengen (CH)
(**) Term: **15 Years**
(21) Appl. No.: **29/670,867**

(22) Filed: **Nov. 20, 2018**

(30) **Foreign Application Priority Data**

May 25, 2018 (WO) DM/101485

(51) **LOC (12) Cl.** **07-99**

(52) **U.S. Cl.**
USPC **D7/392.1**

(58) **Field of Classification Search**

USPC D3/10, 13, 17; D6/672, 677; D7/300,
D7/317, 321, 387, 388.391, 392, 396.1,
D7/396.6, 397, 398, 401.1, 403, 509, 538,
D7/610, 619.1, 629, 672, 677, 601, 602,
D7/624.1, 705, 708; D9/434, 435, 436,
D9/438, 439, 440, 441, 442, 446, 447,
D9/449, 451, 452, 453, 454, 455, 550,
D9/560, 566, 516, 544, 573, 614, 618,
D9/623, 686, 705, 708, 715-720, 730,
D9/750, 751; D20/21, 31, 41, 42;
D21/3, 621; D23/206, 259, 260;
D24/121, 127, 199, 224; D28/4, 5, 73,
D28/76, 91.1

CPC B65D 83/06; B65D 2501/00; B65D
2501/0009; B65D 1/00; B65D 1/02;
B65D 1/0223; B65D 23/00; B65D
50/041; B65D 53/02; B65D 41/34; B65D
21/0223; B65D 47/265; B65D 2525/283;
B65D 2251/0087; B65D 2251/0018;
B65D 2251/0028; B65D 2251/009; B65D
43/0225; B65D 25/28; B65D 51/18;
B65D 2203/00; B65D 83/0038; B65D

43/02; B65D 85/36; B65D 81/18; B65D
81/38; A45D 2040/0043;

(Continued)

(56) **References Cited**

U.S. PATENT DOCUMENTS

D242,517 S 11/1976 Capron
D398,852 S * 9/1998 Gross D9/449
(Continued)

FOREIGN PATENT DOCUMENTS

WO DM/099637 1/2018

OTHER PUBLICATIONS

Bodum Bistro Double Wall Drink Bottle: Site Visited [Jan. 3, 2020].
Available from Internet URL: <https://www.kitchenware.nz/bodum-bistro-double-wall-drink-bottle-w-strap-500ml-pastel-yellow.html>.*

(Continued)

Primary Examiner — Jennifer Rivard

Assistant Examiner — Catherine S Posthauer

(74) *Attorney, Agent, or Firm* — McDonnell Boehnen
Hulbert & Berghoff LLP

(57) **CLAIM**

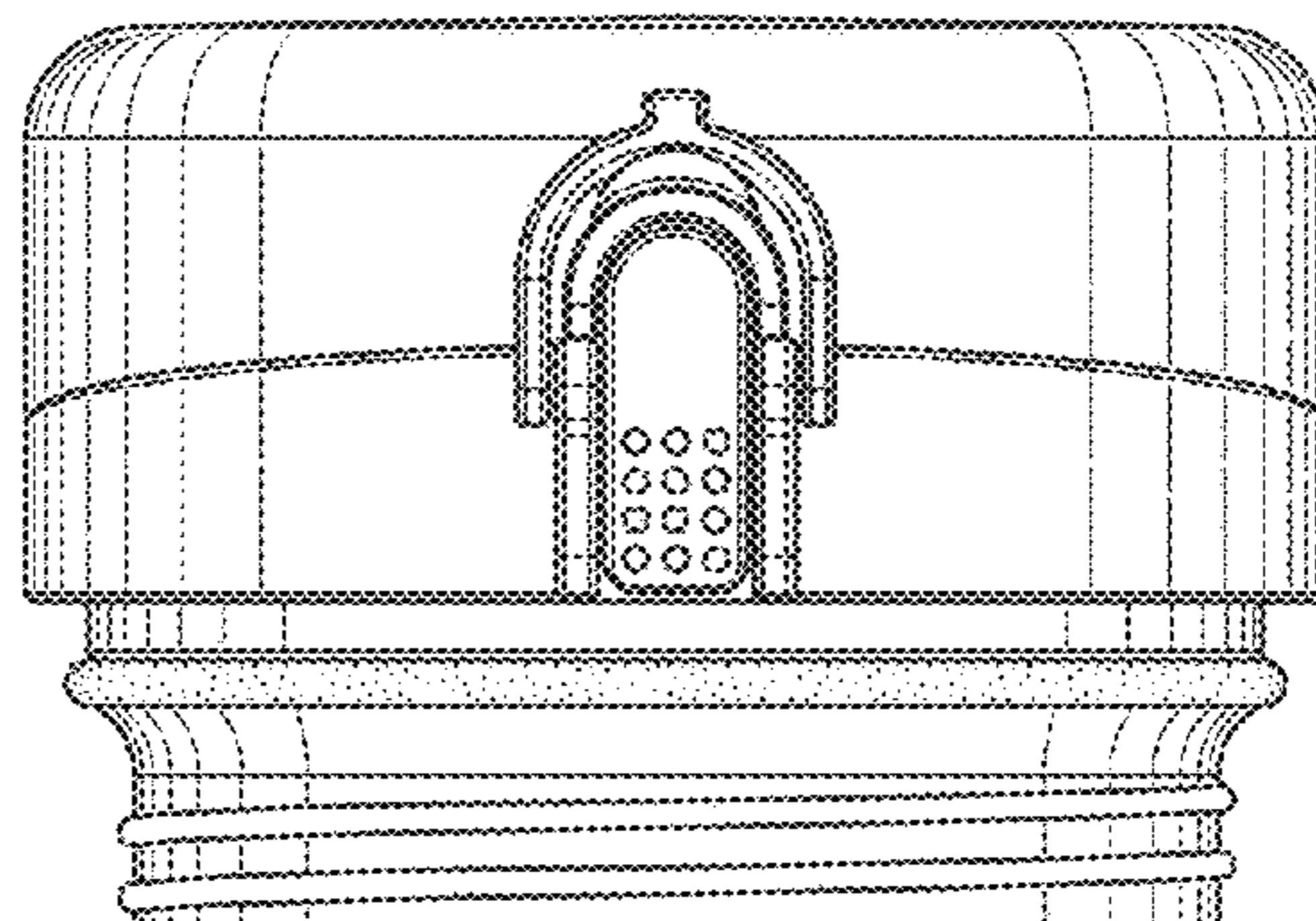
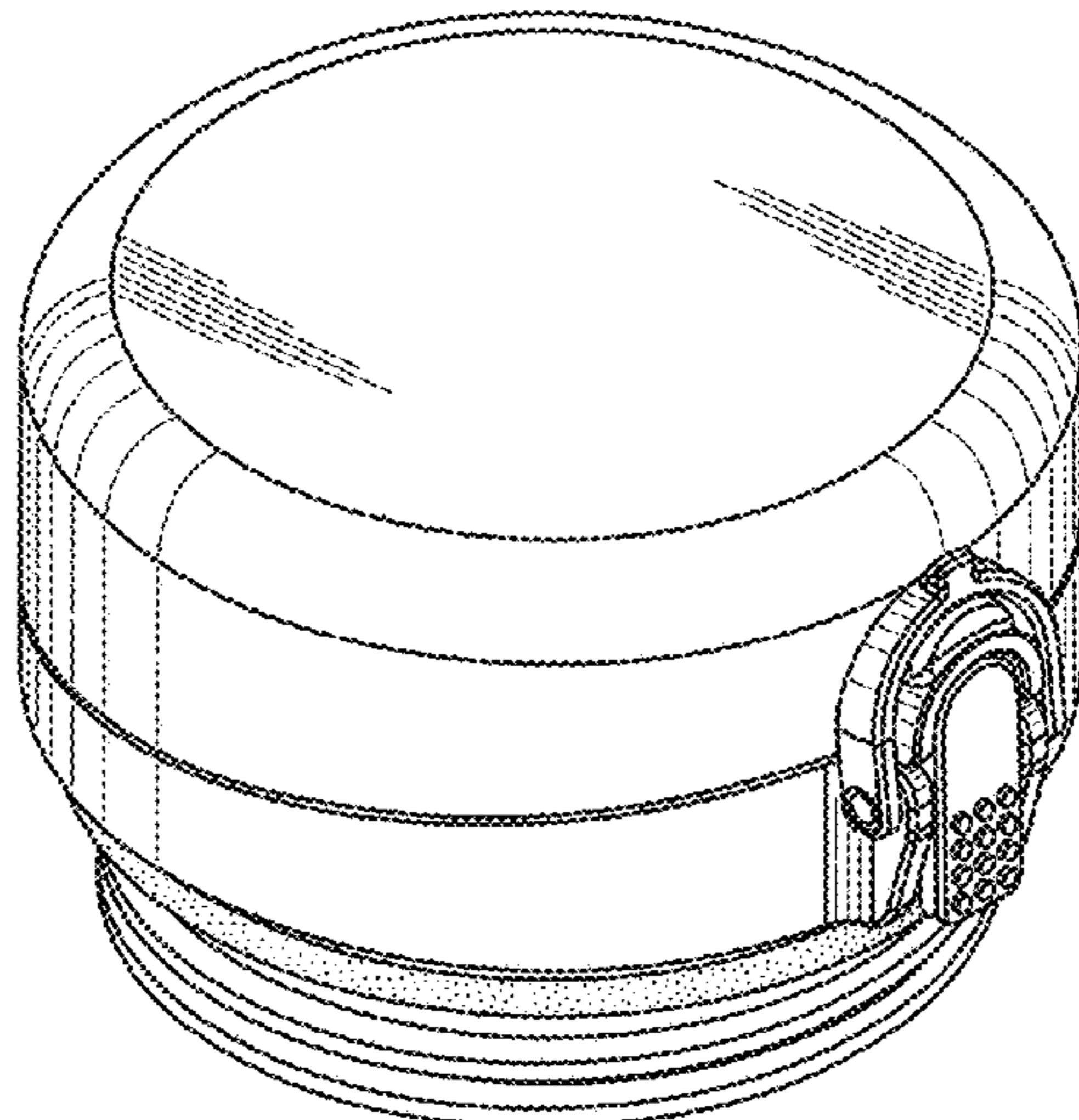
The ornamental design for a lid, as shown and described.

DESCRIPTION

FIG. 1 is a perspective view of a lid showing my new design;
FIG. 2 is a front view thereof;
FIG. 3 is a rear view thereof;
FIG. 4 is a left side view thereof;
FIG. 5 is a right side view thereof;
FIG. 6 is a top view thereof; and,
FIG. 7 is a bottom view thereof.

The broken lines in the drawings depict portions of the lid that form no part of the claimed design.

1 Claim, 7 Drawing Sheets



(58) **Field of Classification Search**
 CPC A45D 2040/0062; A45D 40/04; A45D
 34/04; A45D 33/04
 See application file for complete search history.

(56) **References Cited**

U.S. PATENT DOCUMENTS

D451,023 S * 11/2001 Kitamura D9/449
 D455,077 S 4/2002 Gaiser et al.
 D519,029 S * 4/2006 Hicks D9/449
 D528,419 S * 9/2006 Robinson D9/454
 D529,339 S * 10/2006 Carreno D7/511
 D547,184 S * 7/2007 Kim D9/447
 D579,772 S * 11/2008 Williams D9/446
 D589,743 S * 4/2009 Pearson D7/392
 D606,862 S 12/2009 Mora-Hernandez et al.
 D608,640 S 1/2010 Carreno
 D609,964 S 2/2010 Lane
 D635,019 S * 3/2011 Goto D7/900
 D640,134 S * 6/2011 Rognard D9/447
 D661,945 S 6/2012 Eyal
 D665,621 S * 8/2012 Eyal D7/392.1
 D668,503 S * 10/2012 Kotani D7/392.1
 D675,060 S * 1/2013 Lane D7/392.1
 D675,865 S 2/2013 Wahl
 D686,871 S 7/2013 Lane
 D686,872 S 7/2013 Lane
 D702,551 S * 4/2014 Wisniewski D9/449
 D708,471 S 7/2014 Colquhoun et al.
 D718,572 S * 12/2014 Sturgess D7/396.2
 D718,626 S 12/2014 Lane
 D730,729 S 6/2015 George
 D739,183 S * 9/2015 Lane D7/605
 D740,605 S * 10/2015 Wodka D7/396.2
 D742,229 S * 11/2015 Wisniewski D9/449
 D743,789 S * 11/2015 Wisniewski D9/447
 D743,790 S * 11/2015 Hussain D9/447
 D747,136 S 1/2016 Lane et al.
 D747,918 S * 1/2016 Herbst D7/392.1
 D748,942 S 2/2016 Boroski et al.
 D751,337 S * 3/2016 Boroski D7/376

D759,485 S 6/2016 Boroski et al.
 D766,652 S 9/2016 Joseph et al.
 D778,117 S * 2/2017 Du D7/608
 D778,118 S * 2/2017 Du D7/608
 D791,532 S * 7/2017 Yao D7/392.1
 D794,453 S 8/2017 Boroski et al.
 D799,271 S 10/2017 Pogue et al.
 D808,712 S * 1/2018 Steininger D7/396.2
 9,884,706 B1 * 2/2018 Skillin B65D 47/0838
 D817,088 S * 5/2018 Shirley D7/396.2
 D818,767 S 5/2018 Nezu
 D819,395 S * 6/2018 Yu D7/391
 D821,136 S 6/2018 Silsby et al.
 D821,137 S 6/2018 Boroski
 D822,427 S 7/2018 Sorensen et al.
 D827,769 S 9/2018 Brill
 D835,939 S * 12/2018 Yee D7/392.1
 D837,650 S * 1/2019 Rognard D9/449
 D839,044 S 1/2019 Potter et al.
 D842,645 S * 3/2019 Horimoto D7/391
 D848,787 S * 5/2019 Tatsukawa D7/392.1
 D853,784 S * 7/2019 Wu D7/392.1
 D853,843 S * 7/2019 Michailides D9/449
 D857,502 S * 8/2019 Fracasso D9/449
 D859,152 S * 9/2019 Suzuki D9/447
 D859,153 S * 9/2019 Ramsuer D9/449
 D859,154 S * 9/2019 Skillin D9/449
 10,414,557 B2 * 9/2019 Skillin B65D 41/34
 D861,421 S * 10/2019 Barber D7/396.2
 D863,962 S * 10/2019 Bakic D9/449
 D867,814 S * 11/2019 Bodum D7/392.1
 D869,230 S * 12/2019 Hao D7/392.1
 2013/0206717 A1 8/2013 Lane
 2015/0048124 A1 * 2/2015 Wisniewski B65D 47/0809
 222/478
 2017/0144808 A1 * 5/2017 Choltco-Devlin B65D 43/26

OTHER PUBLICATIONS

PI-Design AG, U.S. Appl. No. 29/656,136, filed Jul. 10, 2018.

* cited by examiner

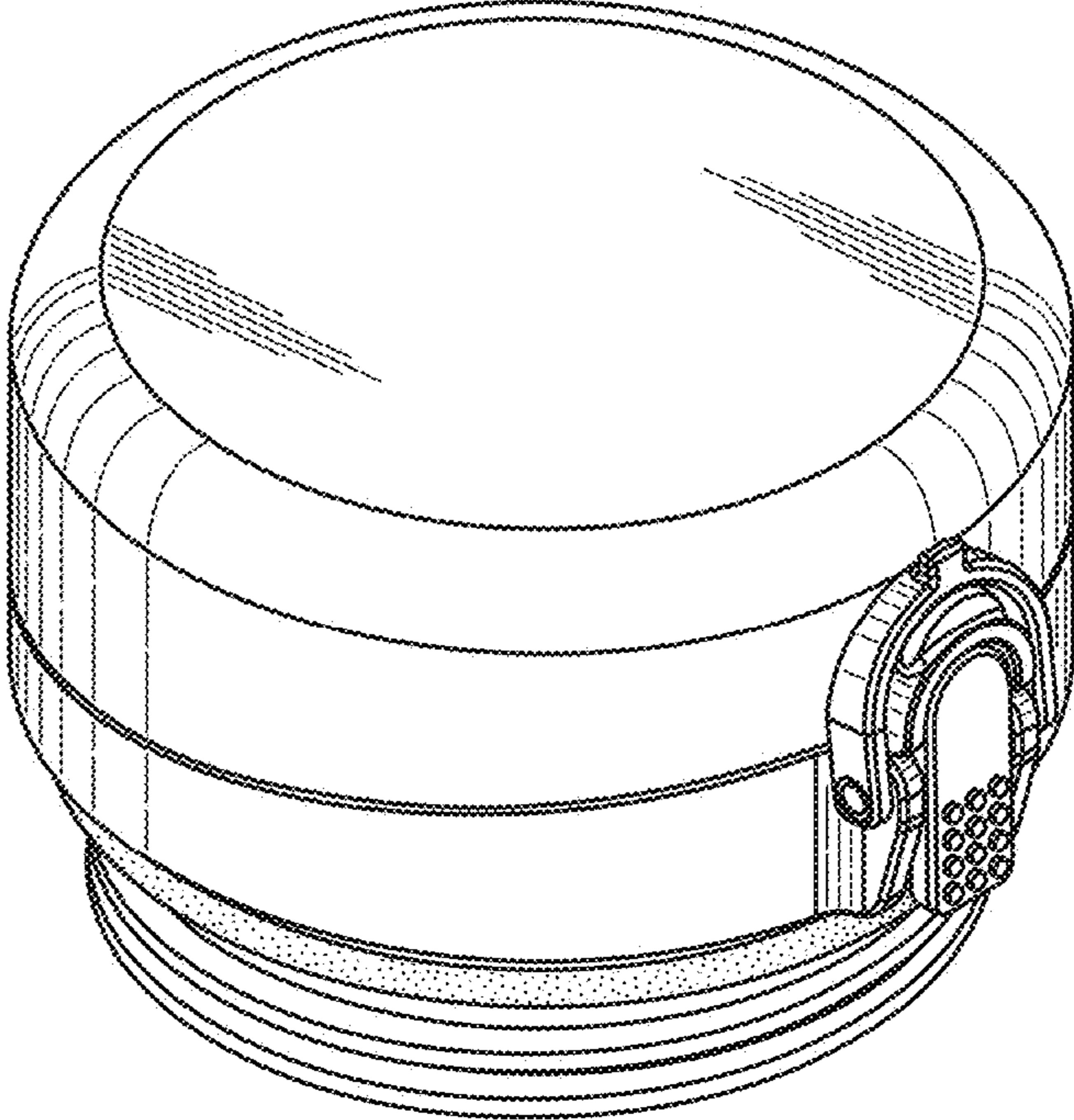


FIG. 1

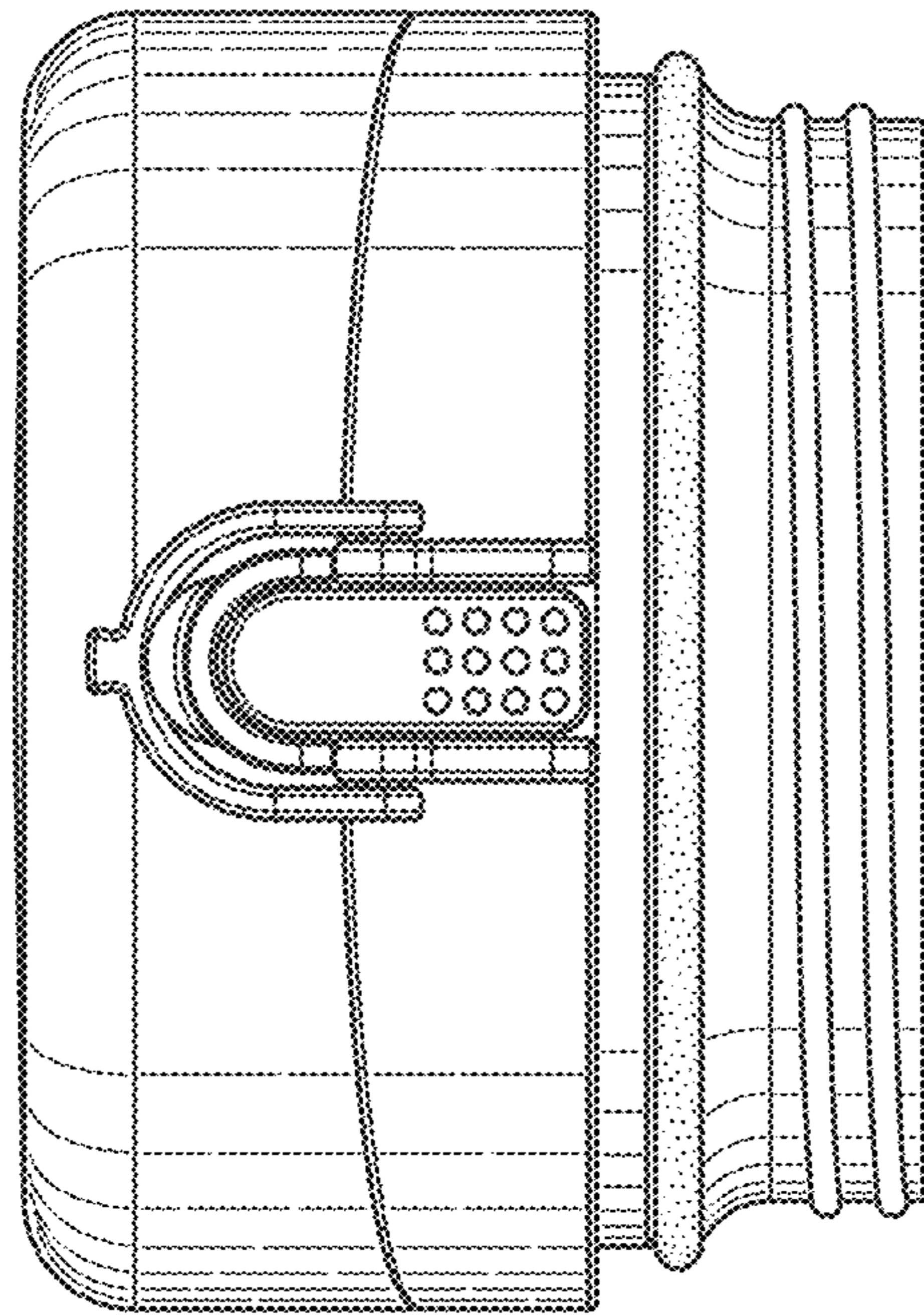


FIG. 2

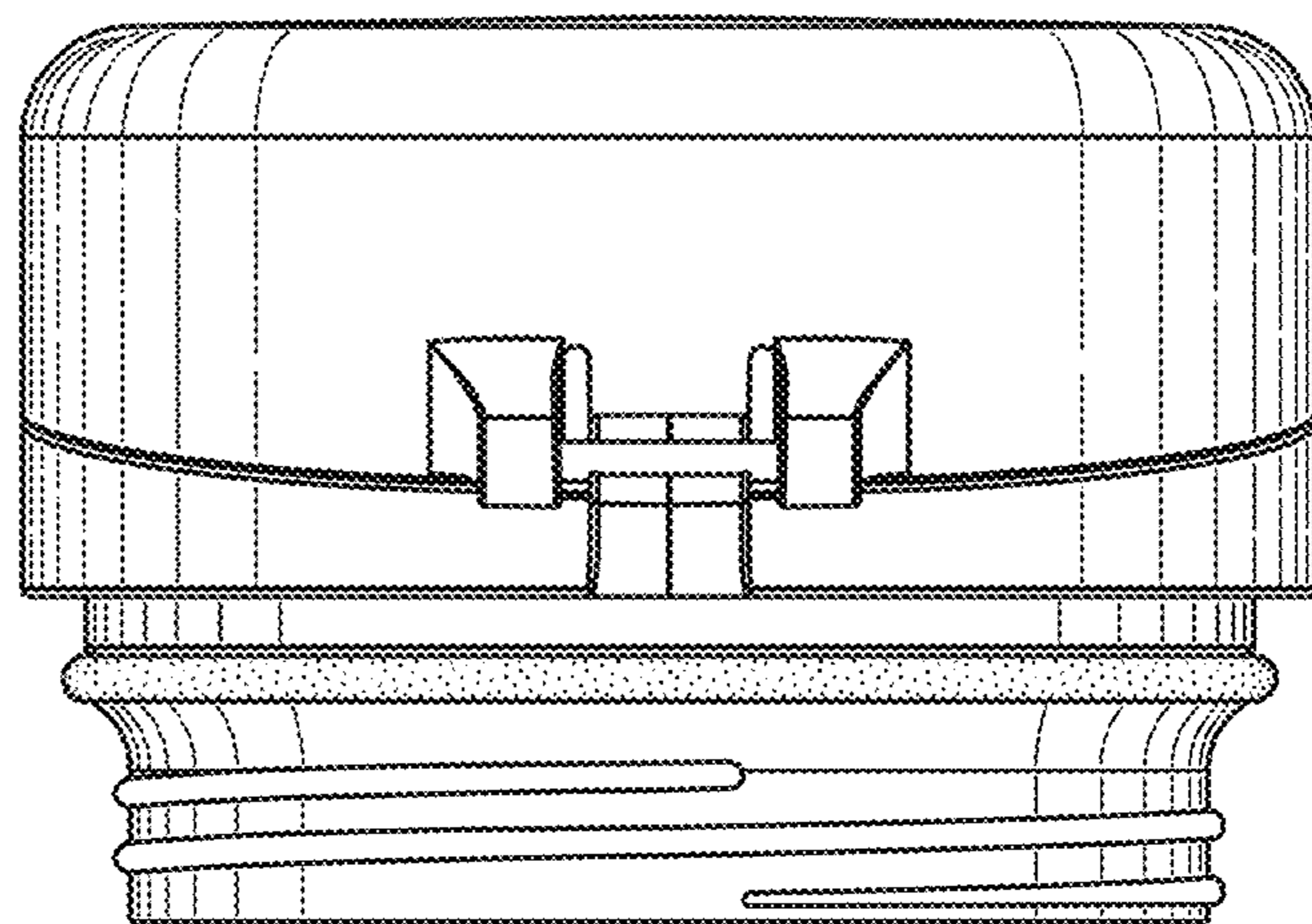


FIG. 3

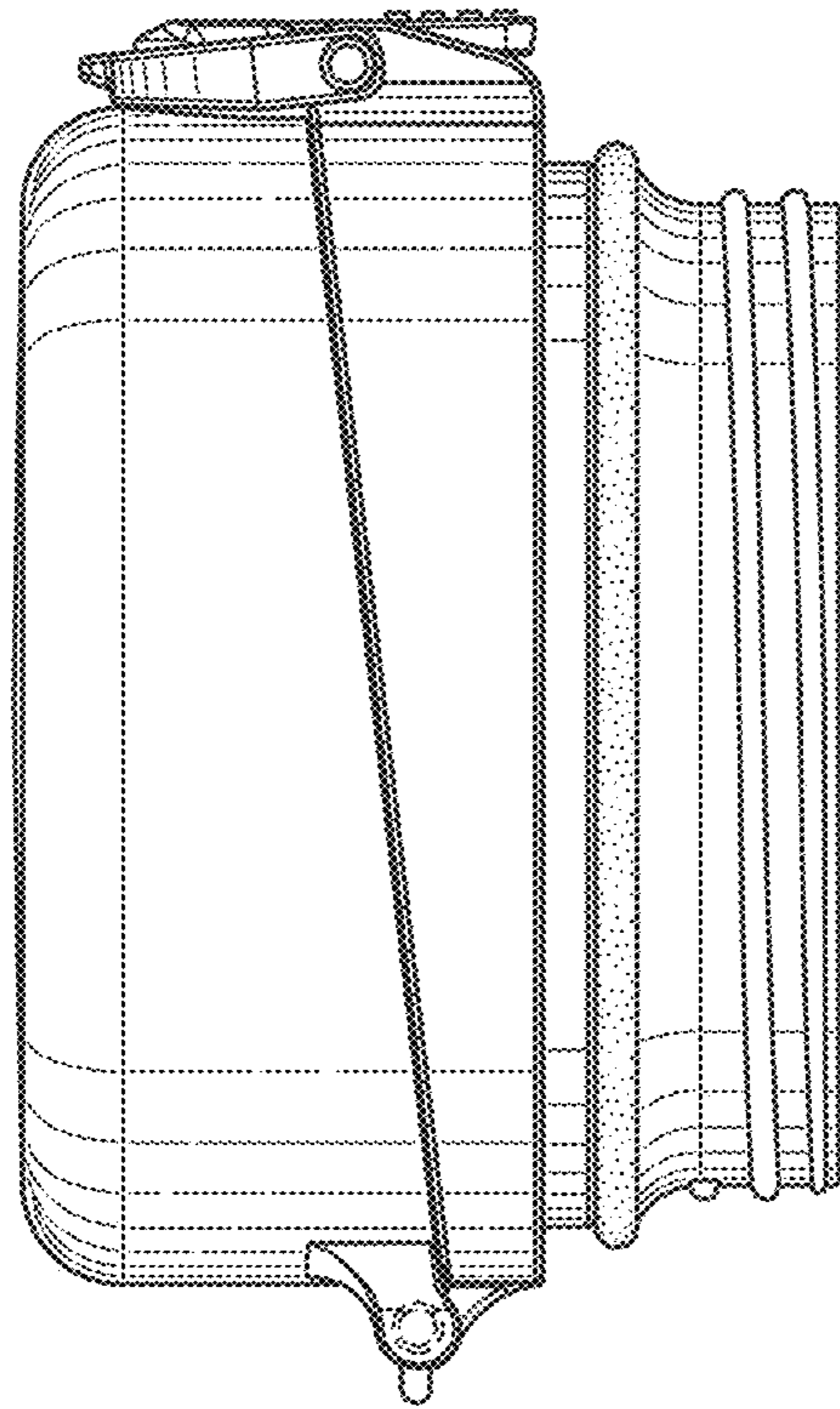


FIG. 4

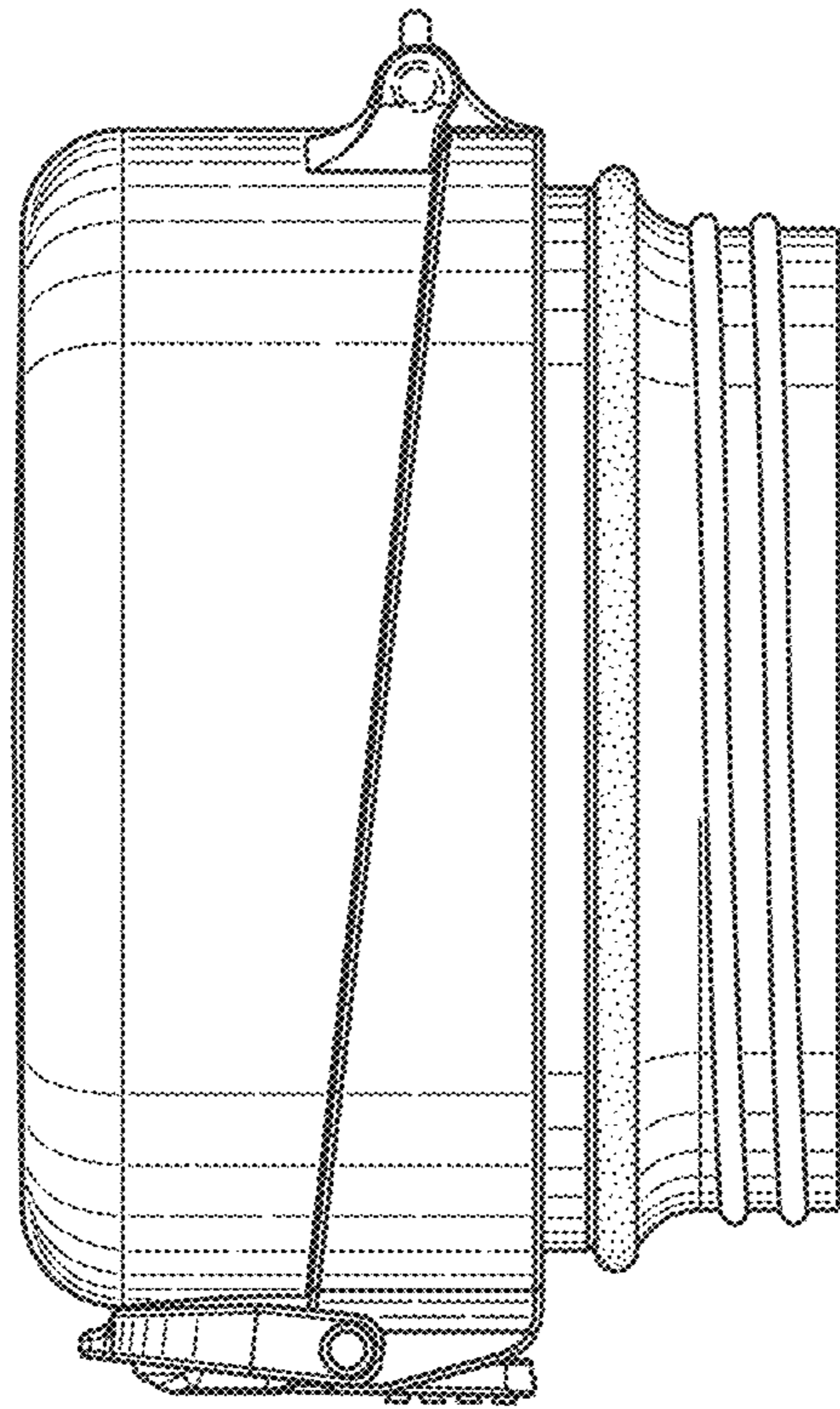


FIG. 5

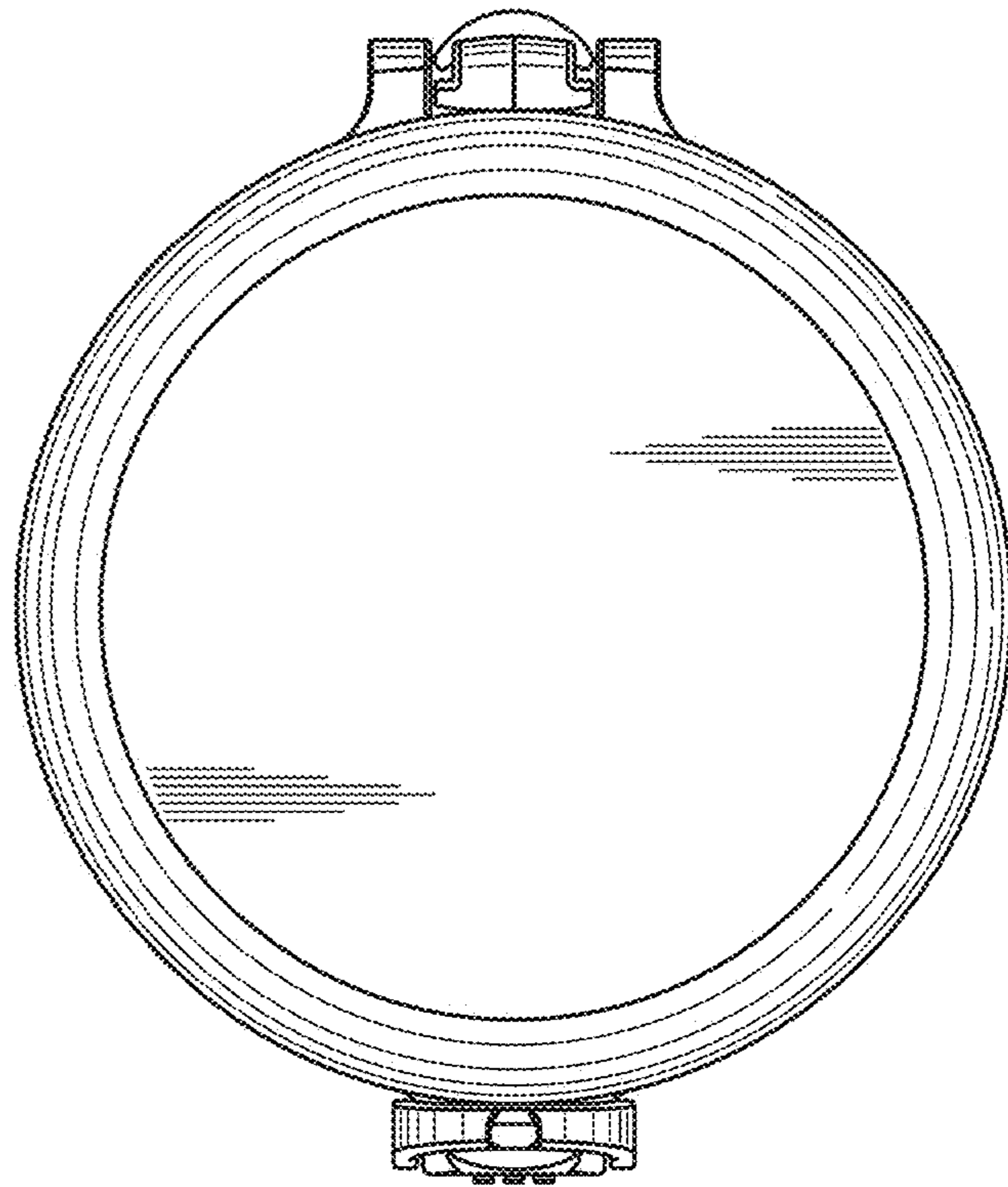


FIG. 6

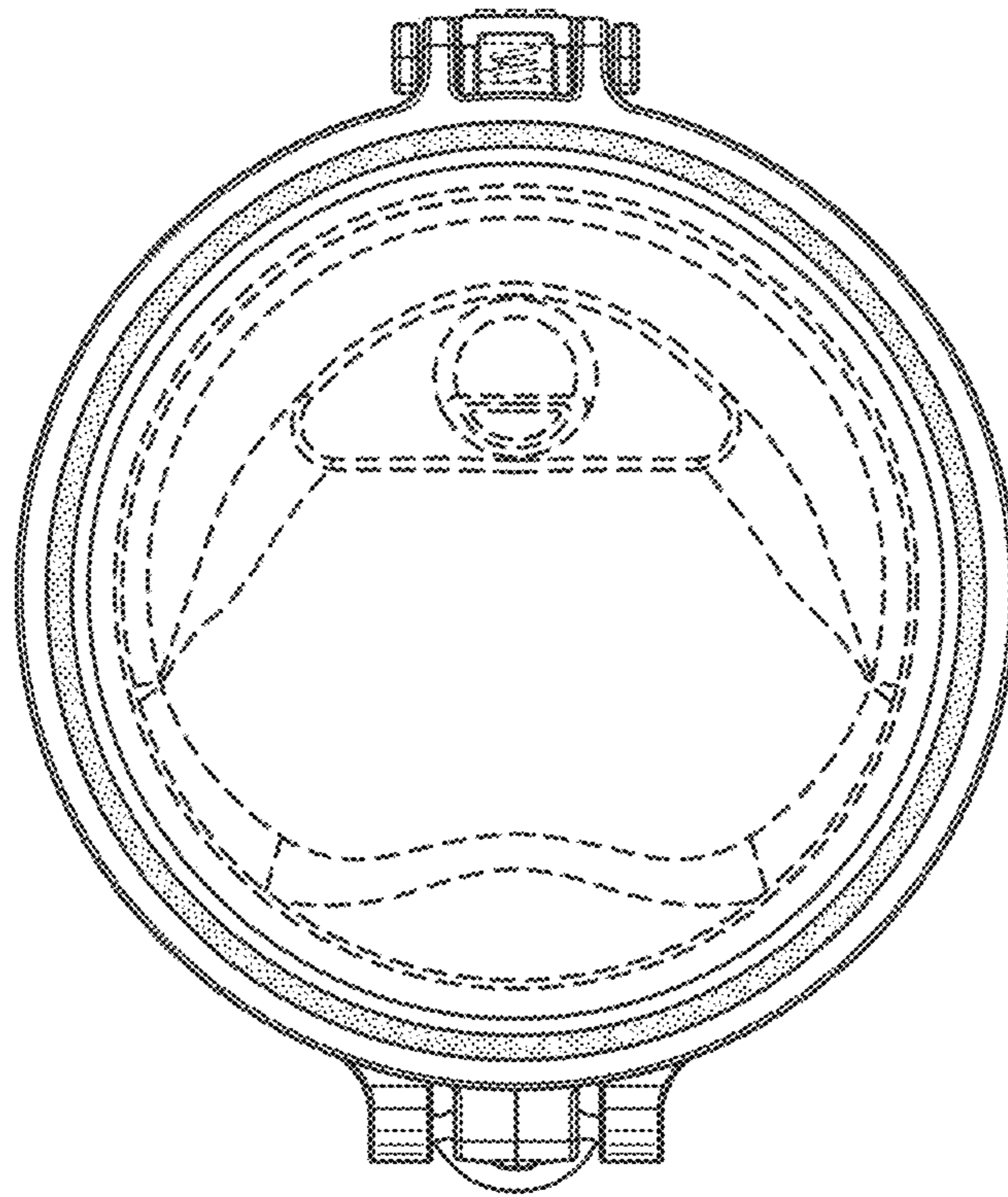


FIG. 7