



US00D885826S

(12) **United States Design Patent**
Mosebrook et al.

(10) **Patent No.:** **US D885,826 S**
(45) **Date of Patent:** **** Jun. 2, 2020**

(54) **THERMAL CONTAINER CLOSURE**

(71) Applicants: **Cynthia Mosebrook**, Abbottstown, PA (US); **Craig Mosebrook**, Abbottstown, PA (US)

(72) Inventors: **Cynthia Mosebrook**, Abbottstown, PA (US); **Craig Mosebrook**, Abbottstown, PA (US)

(**) Term: **15 Years**

(21) Appl. No.: **29/635,944**

(22) Filed: **Feb. 5, 2018**

(51) **LOC (12) Cl.** **07-99**

(52) **U.S. Cl.**
USPC **D7/392.1**

(58) **Field of Classification Search**
USPC D3/202; D6/515, 528, 534, 535, 542, D6/544; D7/300, 300.1, 387, 391, 392, D7/392.1, 396.2, 401.1, 591, 601, 602, D7/603, 612, 619.1, 624.1, 624.2; D9/440, 447, 454, 516, 529, 544, 549, D9/686, 688, 690, 730, 424, 428, 434, D9/435, 436, 443, 448, 449, 455, 691, D9/692, 718, 724; D23/208, 209, 259, D23/260, 261, 387; D24/121, 127, 129, D24/216, 224; D27/100, 135, 167, 172; D30/121, 122, 132, 133; D28/91.1
CPC B65D 81/32; B65D 81/3205; B65D 81/3211; B65D 23/13; B65D 23/001; B65D 51/28; B65D 50/00; B65D 50/041; B65D 50/04; B65D 2215/00; B65D 2215/02; B65D 41/02; B65D 41/18; B65D 21/0223; B65D 47/08; B65D 47/32; A01K 7/00; A47G 19/2222; A47G 19/2266; A47G 19/2272; A47G 19/2294; A47G 23/04;
(Continued)

(56) **References Cited**

U.S. PATENT DOCUMENTS

303,815 A * 8/1884 Cramer F25D 31/007
62/297
2,091,723 A * 8/1937 Sterino A47G 23/04
62/125

(Continued)

OTHER PUBLICATIONS

Double Layer Food Thermos: Site Visited [Aug. 15, 2019]. Available from Internet URL: <https://www.dhgate.com/product/double-layer-portable-food-thermos-heated/435085837.html>.*

(Continued)

Primary Examiner — Catherine S Posthauer

(74) *Attorney, Agent, or Firm* — Barley Snyder

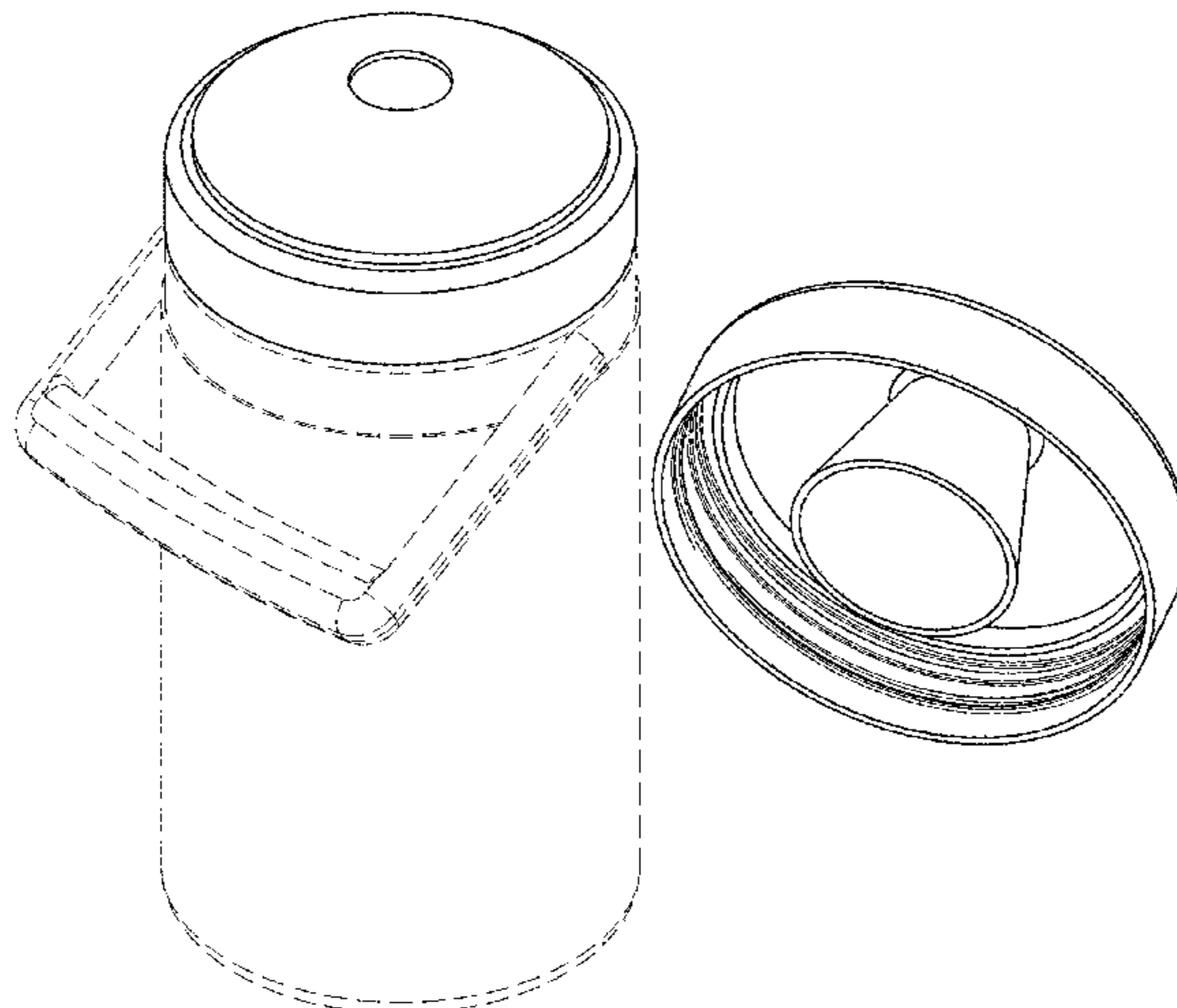
(57) **CLAIM**

The ornamental design for a thermal container closure, as shown and described.

DESCRIPTION

FIG. 1 is a top, front, left side perspective view of a thermal container closure, showing our new design, shown in a position of use with an exemplary container;
FIG. 2 is a front elevation view thereof, with the exemplary container removed to show aspects of the design that are not visible when combined;
FIG. 3 is a rear elevation view thereof;
FIG. 4 is a left side elevation view thereof;
FIG. 5 is a right side elevation view thereof;
FIG. 6 is a bottom plan view thereof;
FIG. 7 is a top plan view thereof;
FIG. 8 is a top, front, right side perspective view thereof;
FIG. 9 is a bottom, rear side perspective view thereof;
FIG. 10 is a bottom, front, left side perspective view thereof; and,
FIG. 11 is a front, rear side perspective view thereof.
The broken lines shown in the drawings are included for the purpose of illustrating environmental structure and form no part of the claimed design.

1 Claim, 6 Drawing Sheets



(58) **Field of Classification Search**

CPC A47G 23/0241; A45C 11/20; F25D
2331/803; F25D 2331/809; F25D 3/06;
F25D 3/08; F25D 31/007

See application file for complete search history.

(56) **References Cited**

U.S. PATENT DOCUMENTS

3,998,072 A 12/1976 Shaw
4,338,795 A 7/1982 House, Jr.
4,823,974 A 4/1989 Crosser
5,243,835 A * 9/1993 Padamsee A47J 41/0044
62/372
5,904,267 A 5/1999 Thompson
D417,847 S * 12/1999 Rush D7/629
D419,071 S * 1/2000 Peters D9/449
6,330,808 B1 * 12/2001 Kouwenberg F25D 3/08
62/372
6,701,720 B1 * 3/2004 Stone F25D 3/08
62/4
D513,181 S * 12/2005 Bloom D9/453
D536,614 S * 2/2007 Peterson D9/454
D541,156 S * 4/2007 Florio D9/454
D563,785 S * 3/2008 Maki D9/454
D564,877 S * 3/2008 Hood D9/454
D660,700 S * 5/2012 MacNeill D9/445
D677,978 S * 3/2013 Evans D7/391
D721,920 S * 2/2015 Coon D7/510
D730,183 S * 5/2015 Fahl D24/155
D751,394 S * 3/2016 Chartier D9/440
D763,083 S * 8/2016 Seybel D9/454
D771,490 S * 11/2016 Junkel D9/447

9,649,254 B2 * 5/2017 Frishman A61J 1/1412
D799,963 S * 10/2017 Akiyama D9/454
D820,037 S * 6/2018 Ivankovic B65D 21/0233
D7/391
D836,973 S * 1/2019 Masifilo D7/392
D838,140 S * 1/2019 Furneaux D7/510
D838,172 S * 1/2019 Tartock D9/454
D838,594 S * 1/2019 Ainsworth, Jr. D9/454
D845,766 S * 4/2019 Tartock D9/454
D856,143 S * 8/2019 Tartock D9/454
2007/0228079 A1 * 10/2007 Vogel B65D 47/0838
222/151
2008/0083789 A1 * 4/2008 Brugner B05C 17/00576
222/386
2014/0360711 A1 * 12/2014 Parker F25D 31/007
165/185
2015/0276296 A1 * 10/2015 Smith F25D 3/08
62/457.4
2018/0118443 A1 * 5/2018 Emery A47G 23/0241

OTHER PUBLICATIONS

Just Bento: Announced Jan. 3, 2011 [online]. Site Visited [Aug. 15, 2019]. Available from Internet URL: <http://justbento.com/handbook/bento-basics/looking-thermal-bento-sets-and-lunch-jars>.*

Stainless Steel Food Thermos: Site Visited [Aug. 15, 2019]. Available from Internet URL: <https://cd.kikuu.com/item-1372314-double-layer-stainless-steel-food-thermos-thermal-stew-pot-vacuum-cup-insulation-lunch-box-container-1000ml.html>.*

Vinglace Wine Chiller: Announced Nov. 4, 2018 [online]. Site Visited [Aug. 15, 2019]. Available from Internet URL: Wine <https://shop.nordstrom.com/s/vinglace-wine-chiller/4959937>.*

* cited by examiner

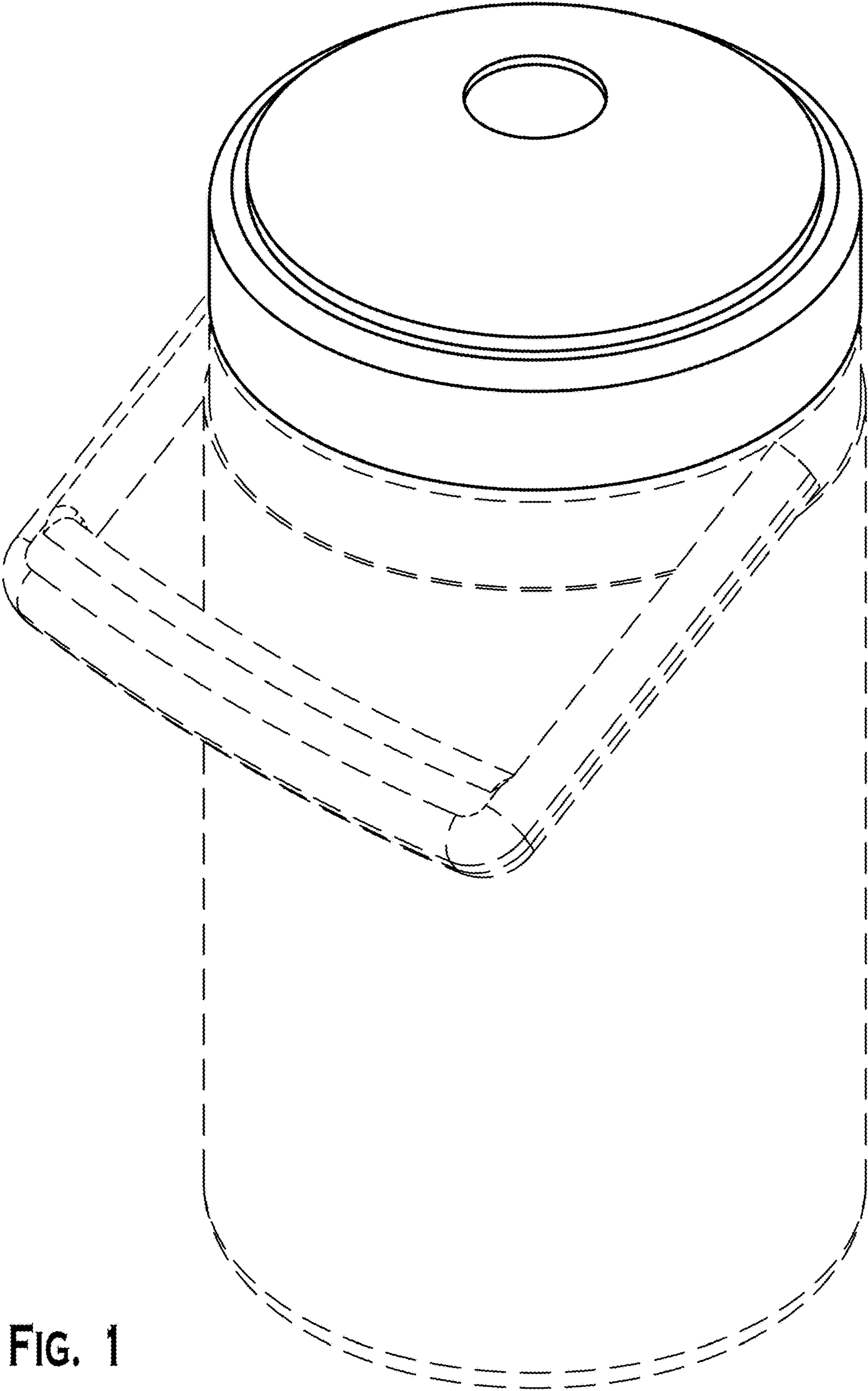


FIG. 1

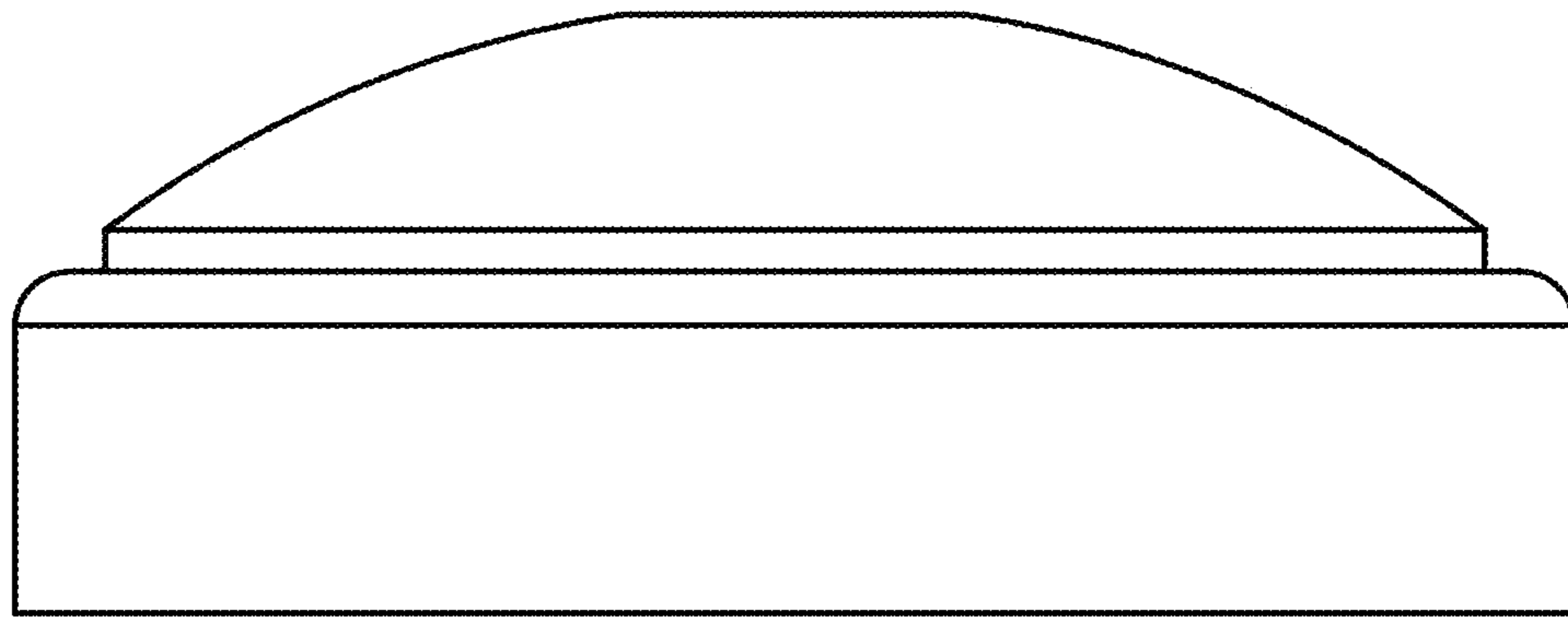


FIG. 2

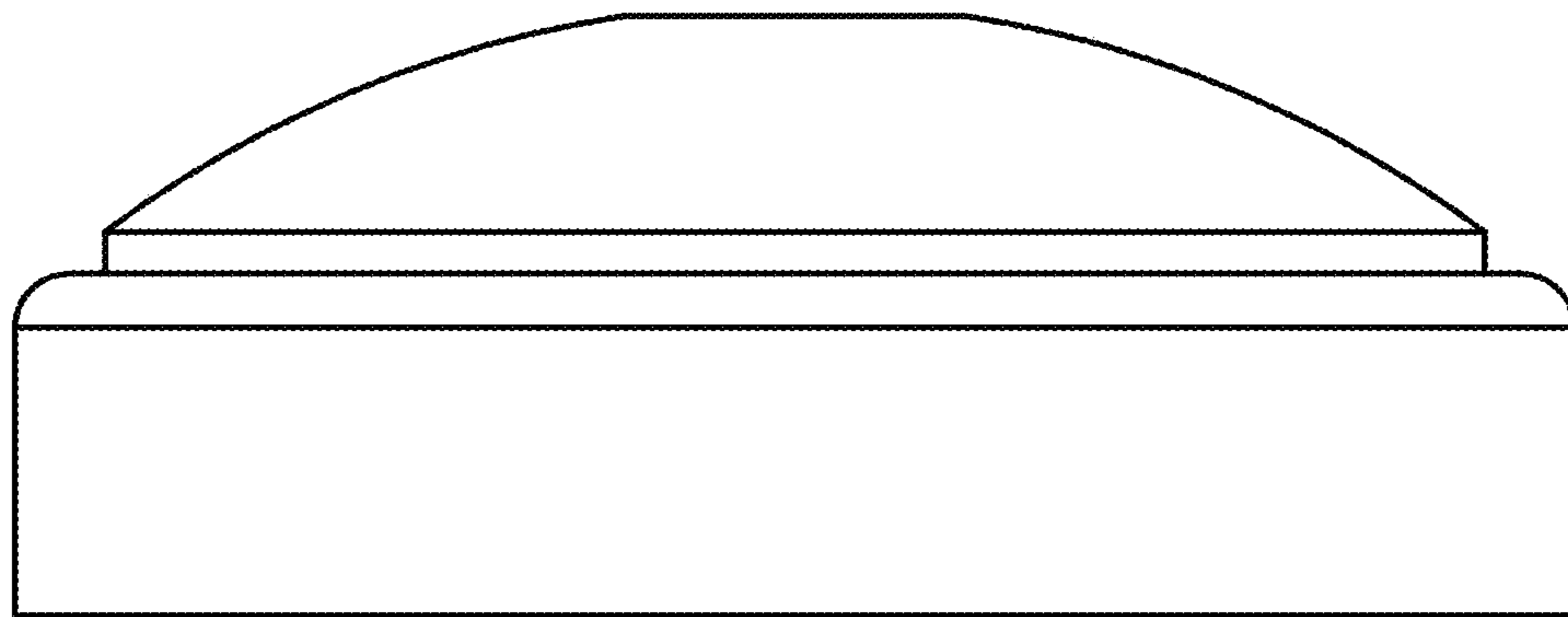


FIG. 3

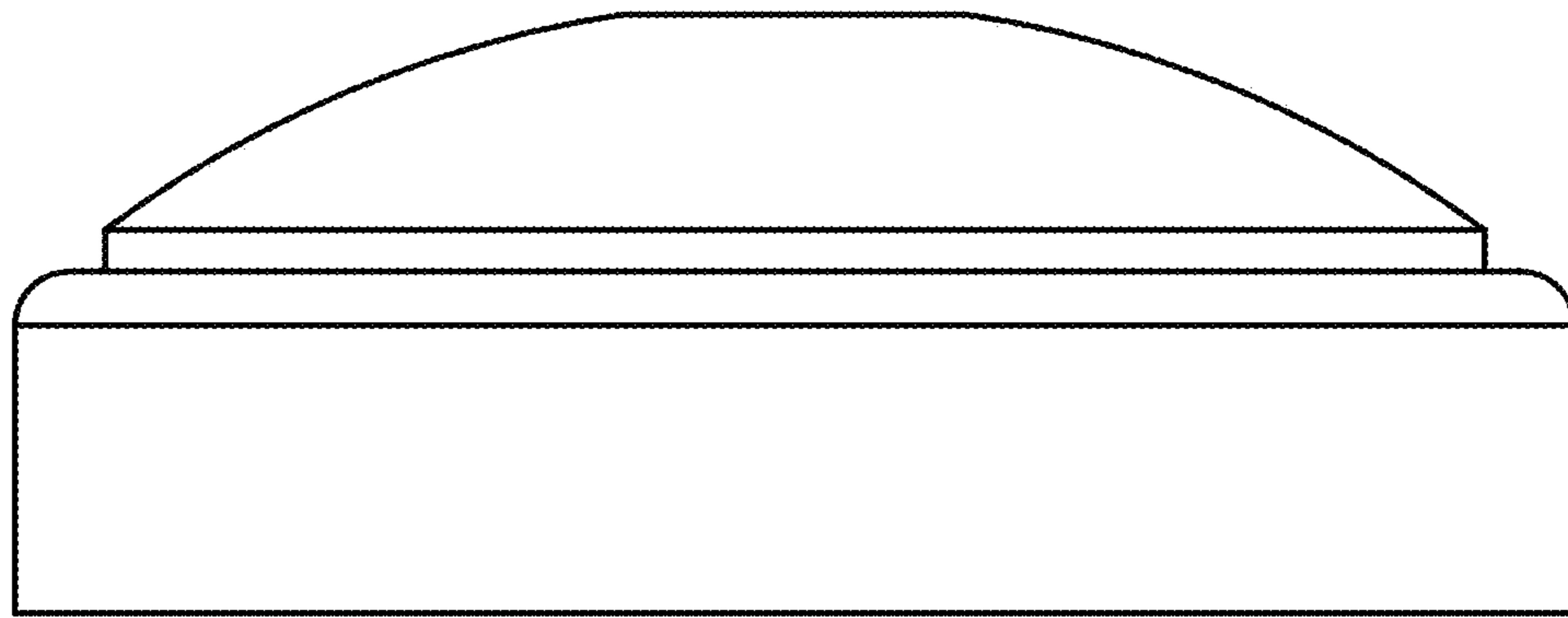


FIG. 4

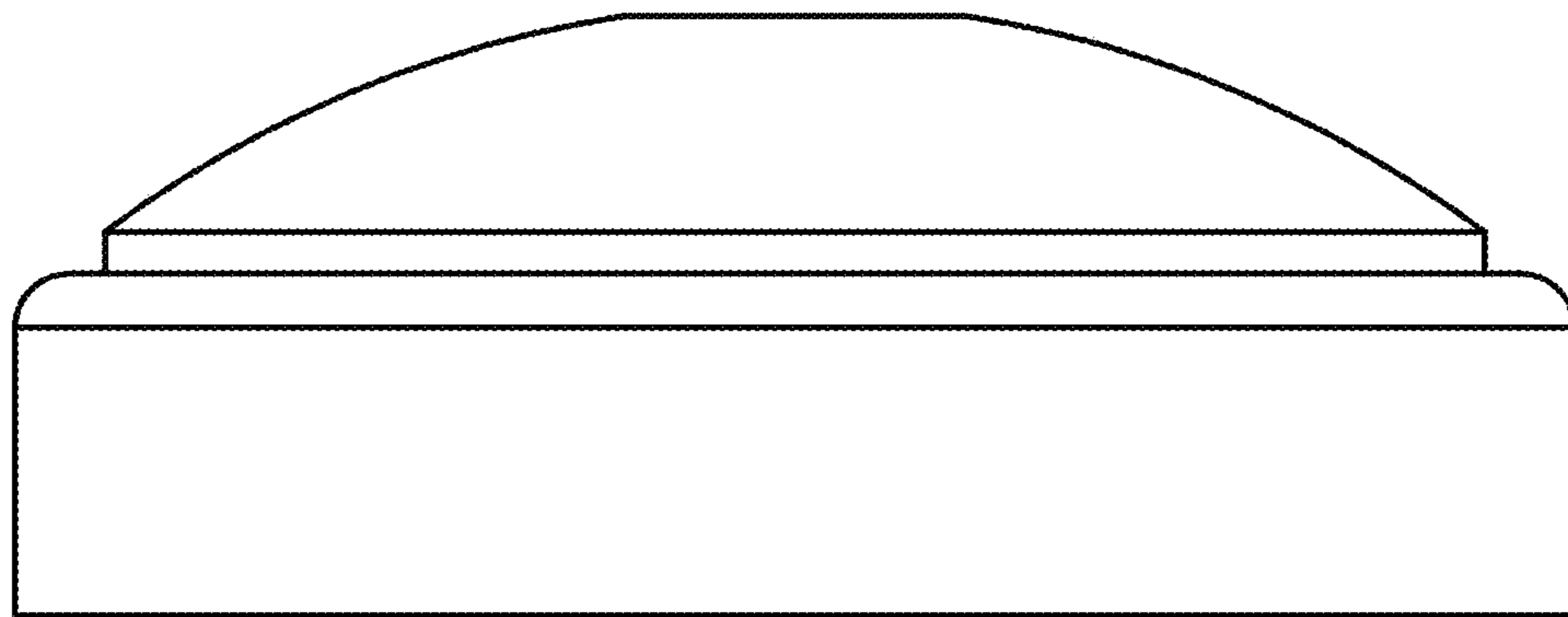


FIG. 5

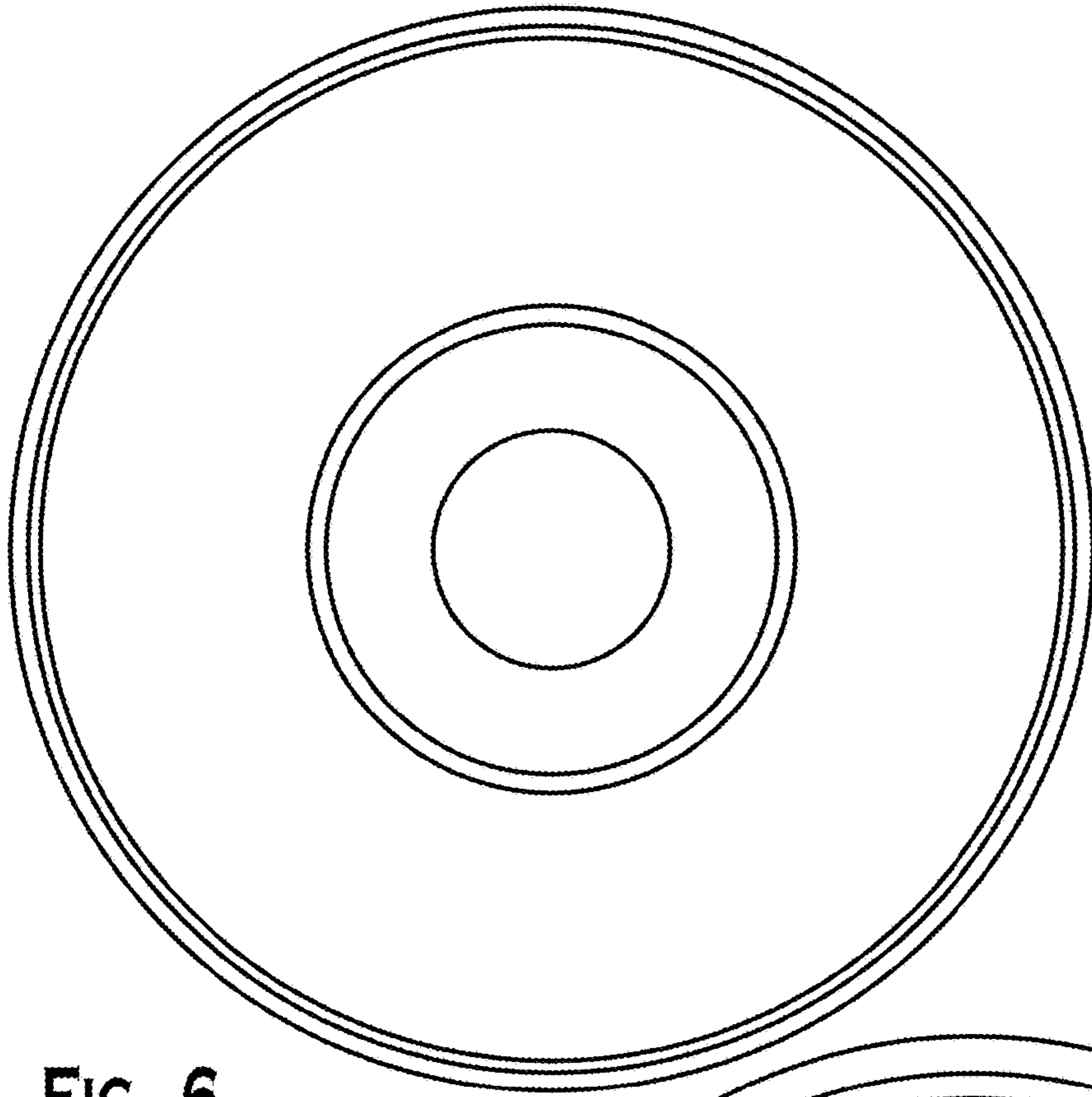


FIG. 6

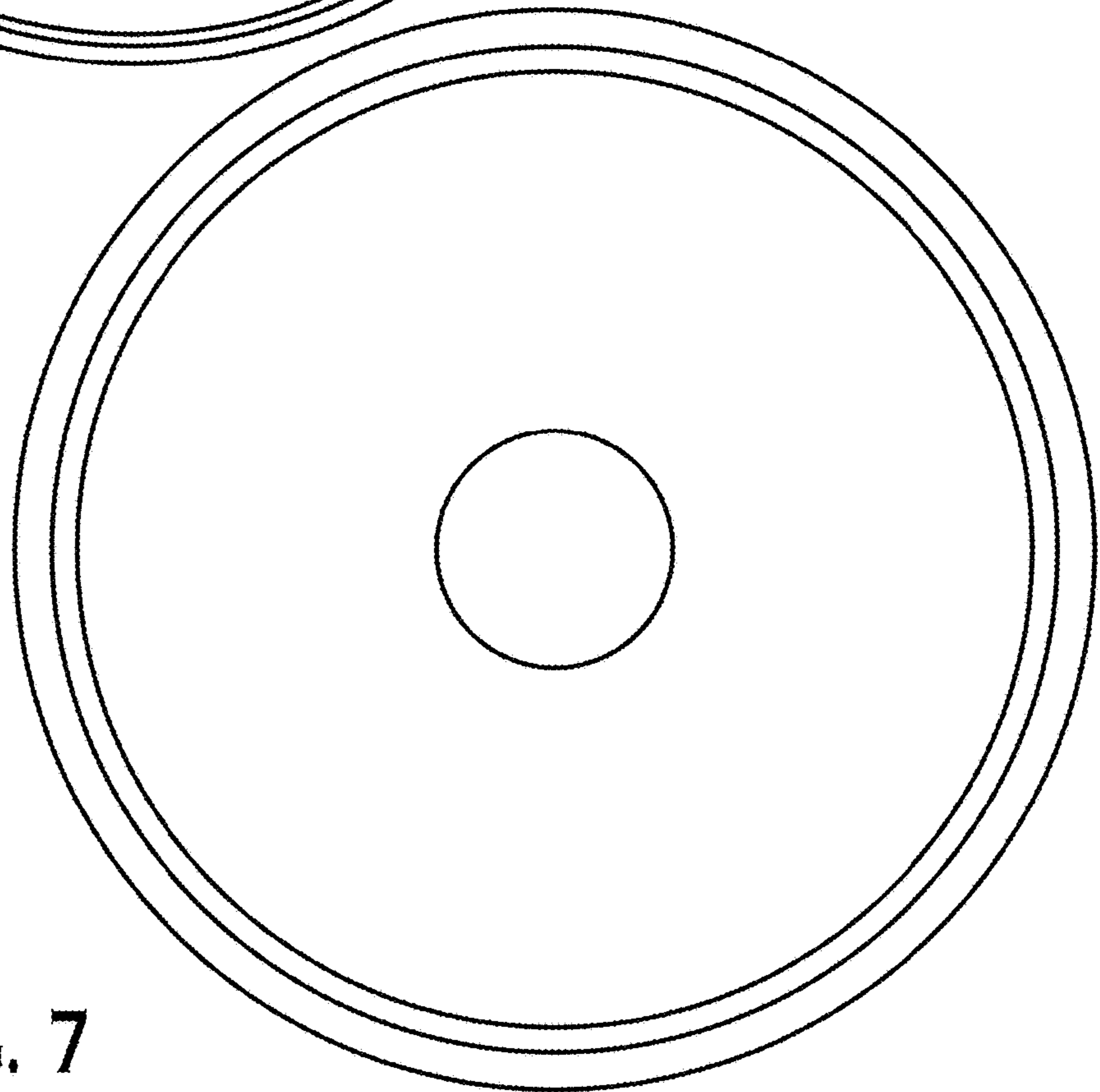


FIG. 7

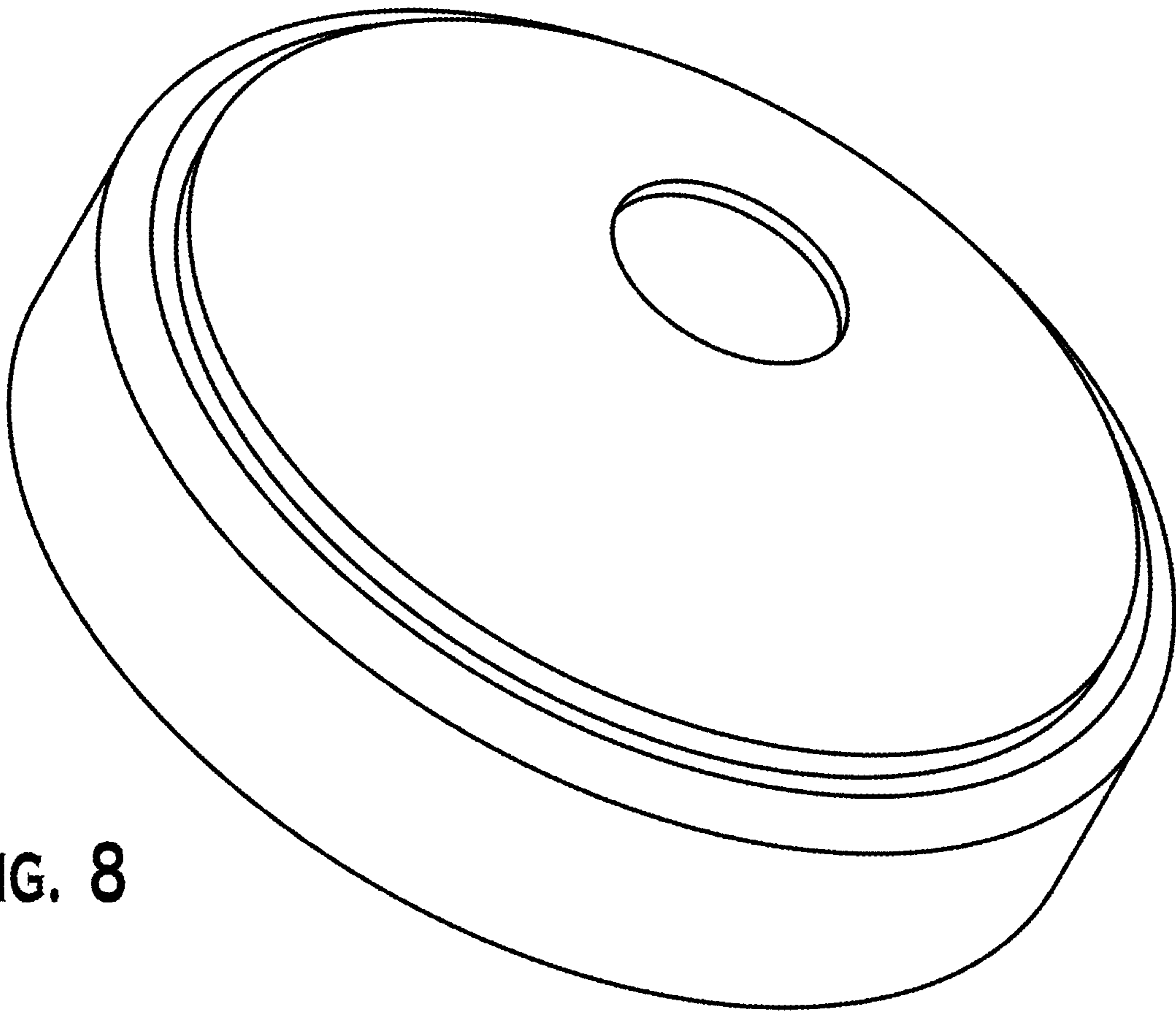


FIG. 8

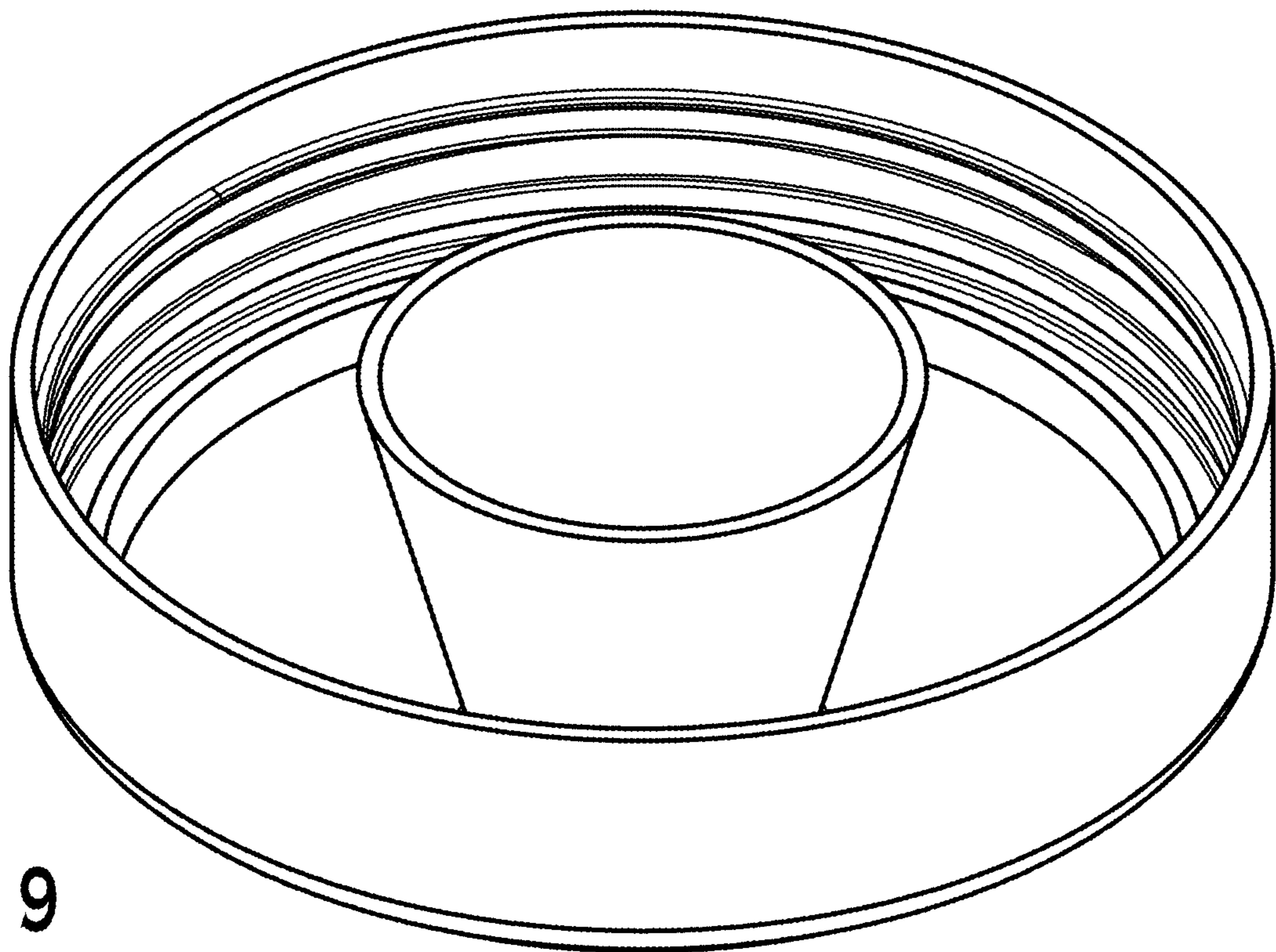


FIG. 9

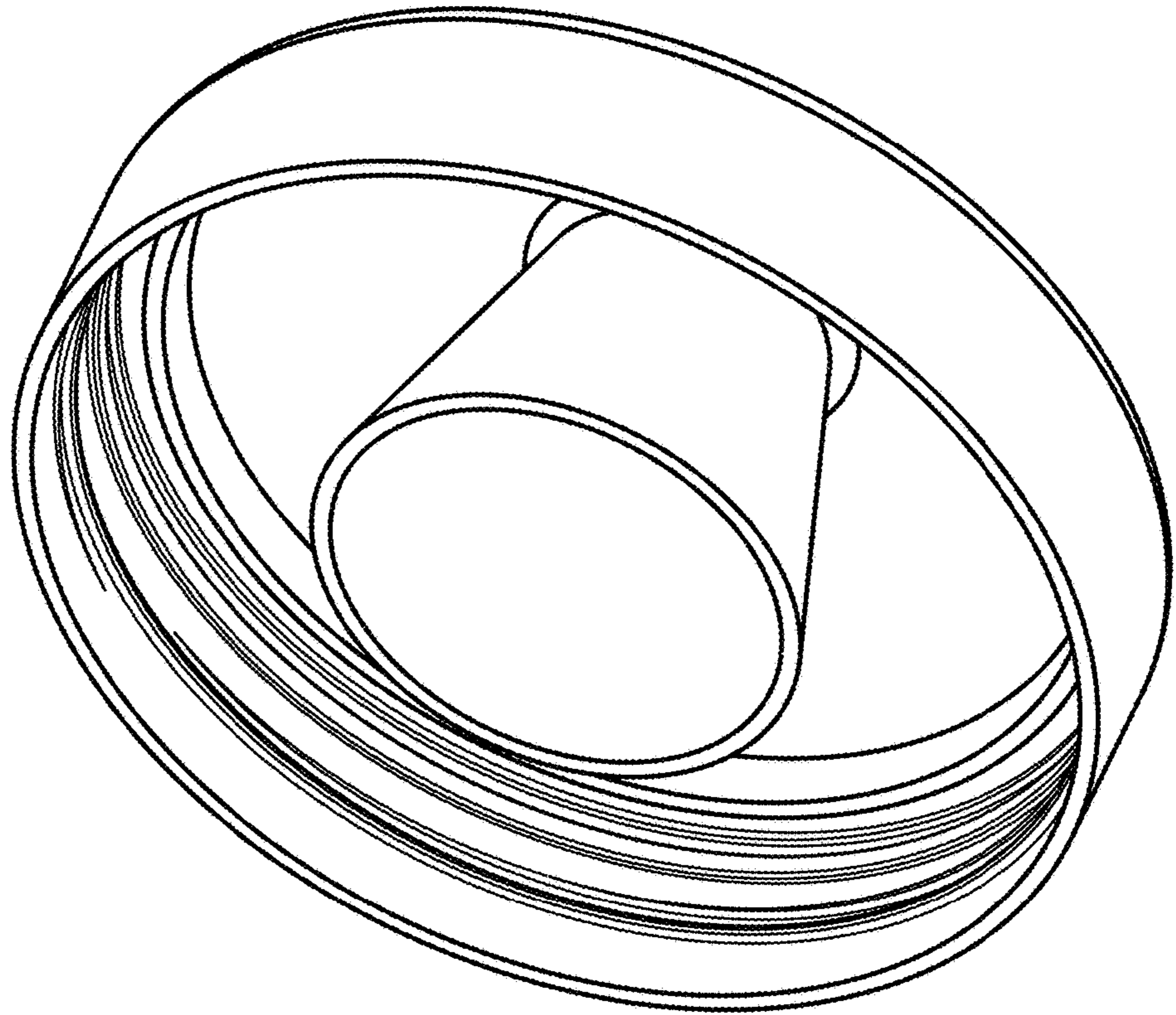


FIG. 10

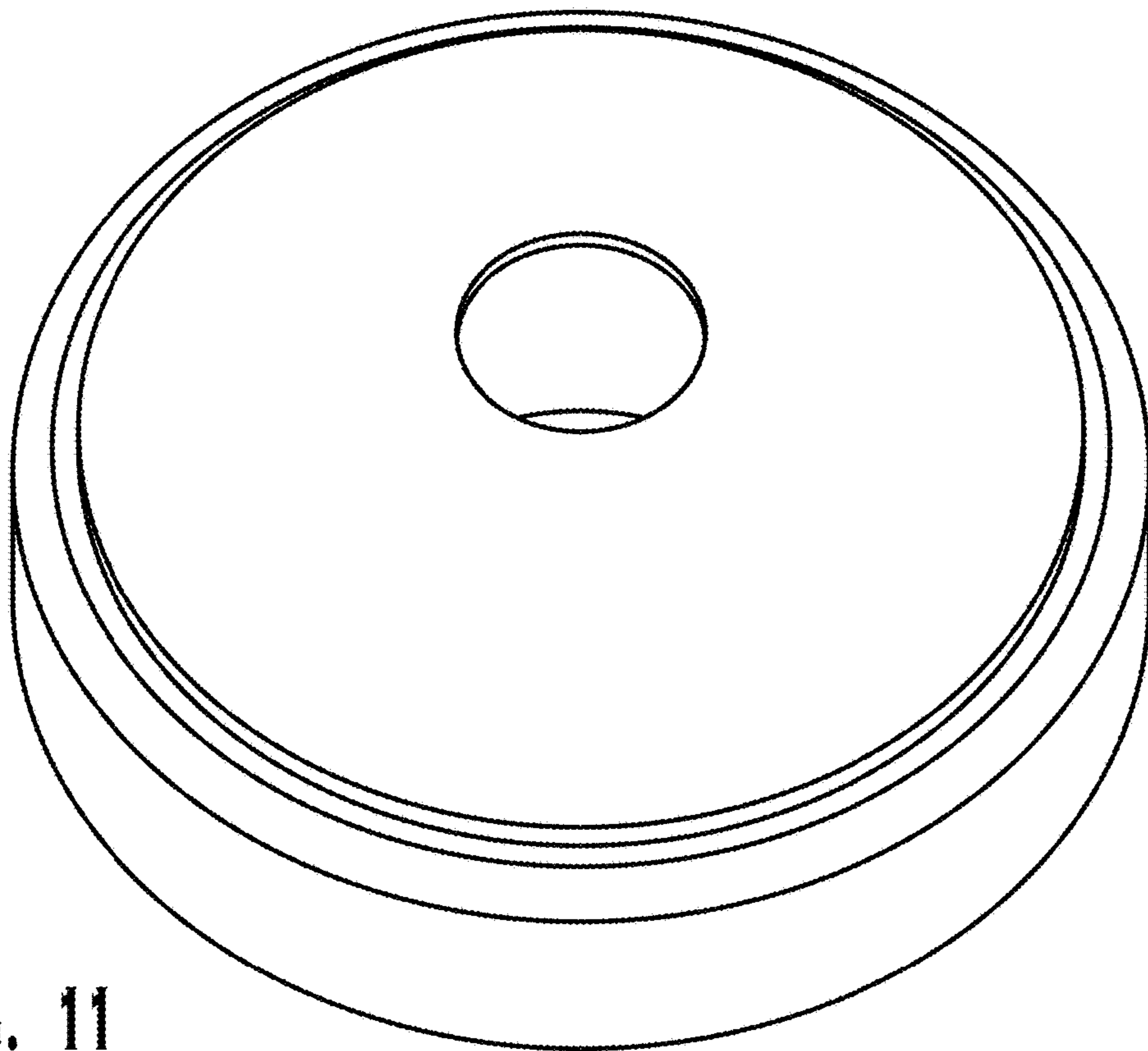


FIG. 11