

US00D885825S

(12) **United States Design Patent**  
**Meyers et al.**

(10) **Patent No.:** **US D885,825 S**  
(45) **Date of Patent:** **\*\* Jun. 2, 2020**

(54) **SPOUT**  
(71) Applicant: **Runway Blue, LLC**, Alpine, UT (US)  
(72) Inventors: **David O. Meyers**, East Layton, UT (US); **John R. Omdahl, II**, Lindon, UT (US); **Jim Allen Colby**, Highland, UT (US)  
(73) Assignee: **Runway Blue, LLC**, Alpine, UT (US)  
(\*\*) Term: **15 Years**  
(21) Appl. No.: **29/631,734**

D467,174 S \* 12/2002 Mozes ..... D9/435  
D510,235 S 10/2005 Sorensen  
D561,522 S \* 2/2008 Gordon ..... D7/392  
D562,065 S \* 2/2008 Smaldone ..... D7/387  
7,441,941 B2 10/2008 Vernon  
D626,837 S 11/2010 Meyers et al.  
D626,838 S 11/2010 Meyers et al.  
D639,661 S 6/2011 Llerena  
D639,663 S 6/2011 Llerena  
D640,559 S 6/2011 Llerena  
D644,065 S 8/2011 Llerena  
D656,788 S \* 4/2012 Sakulsacha ..... D24/197  
D667,694 S 9/2012 Meyers et al.  
D668,502 S \* 10/2012 Sakulsacha ..... D7/392.1  
D669,732 S \* 10/2012 Hopkins ..... D7/392.1  
D671,793 S \* 12/2012 Hakim ..... D7/392.1  
D675,525 S \* 2/2013 Hanai ..... D9/447

(Continued)

(22) Filed: **Jan. 2, 2018**  
(51) **LOC (12) Cl.** ..... **07-01**  
(52) **U.S. Cl.**  
USPC ..... **D7/392.1**; D7/396.2; D9/447  
(58) **Field of Classification Search**  
USPC ..... D7/387, 392.1, 396.2, 393, 394, 397,  
D7/398, 213, 900, 507, 523, 532, 510,  
D7/511, 529, 533, 536, 534, 524, 537,  
D7/514, 515, 522, 412, 376, 309, 317,  
D7/305, 665, 300.1, 300.2; D9/435, 436,  
D9/443, 442, 444, 449, 450, 437, 447;  
D24/196, 197; D27/162; D23/255  
CPC ..... A47G 19/2205; A47G 19/22; A47J 43/27;  
A47J 41/02; A47J 41/0077; A47J  
41/0088; A47J 41/028; A47J 31/407;  
A47J 31/40; A45F 3/16; B65D 85/804;  
B65D 41/04  
See application file for complete search history.

*Primary Examiner* — Jae Liang  
(74) *Attorney, Agent, or Firm* — Sterne, Kessler,  
Goldstein & Fox P.L.L.C.

(57) **CLAIM**

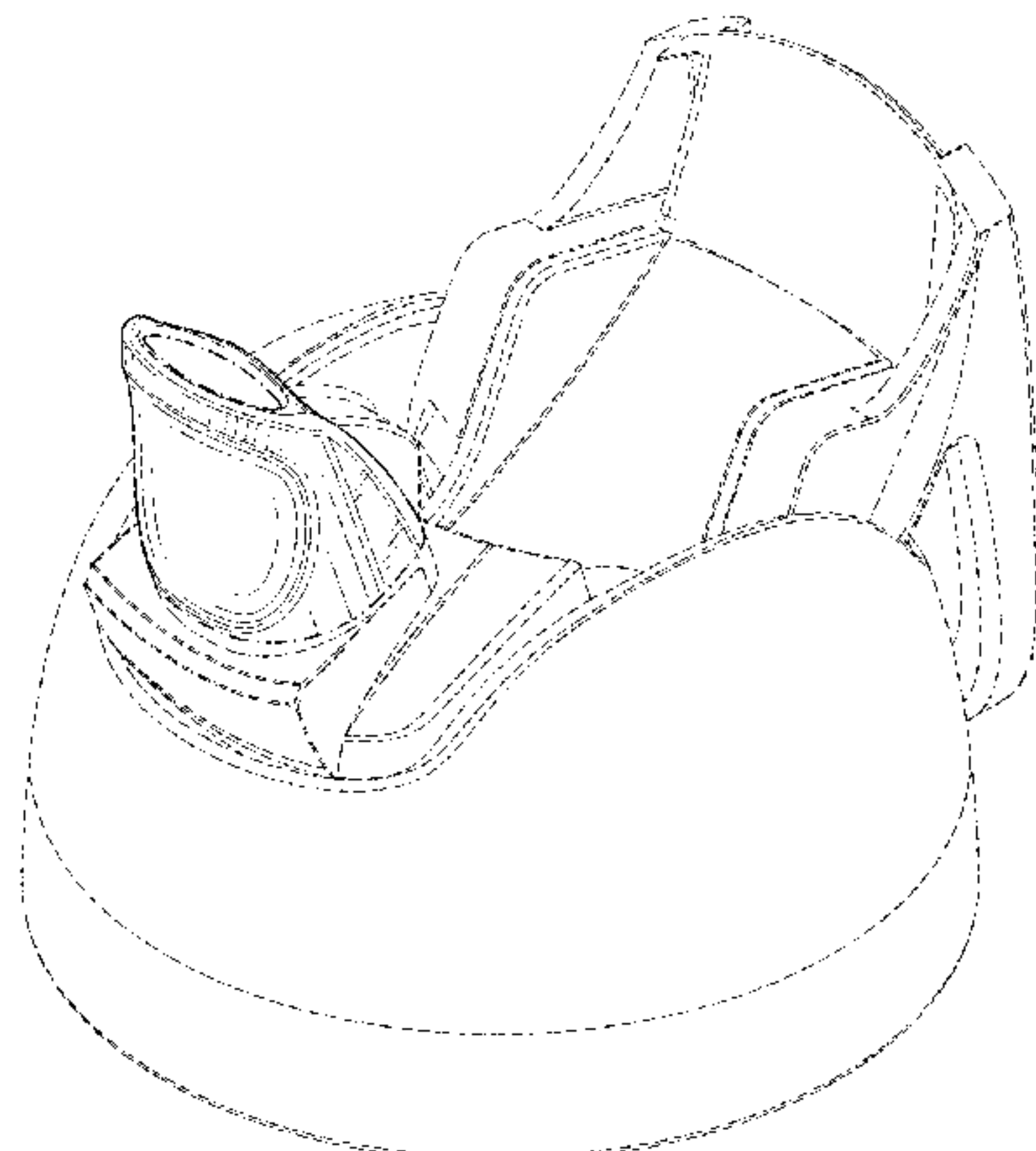
The ornamental design for a spout, as shown and described.

**DESCRIPTION**

FIG. 1 is a top front perspective view of a spout showing our new design;  
FIG. 2 is a top rear perspective view of the spout shown in FIG. 1;  
FIG. 3 is a front view of the spout shown in FIG. 1;  
FIG. 4 is a rear view of the spout shown in FIG. 1;  
FIG. 5 is a right side view of the spout shown in FIG. 1;  
FIG. 6 is a left side view of the spout shown in FIG. 1;  
FIG. 7 is a top view of the spout shown in FIG. 1; and,  
FIG. 8 is a bottom view of the spout shown in FIG. 1.  
The broken lines in the drawings depict environmental subject matter only and form no part of the claimed design.  
The dash-dotted lines in the drawings represent the bounds of the claim and form no part of the claimed design.

**1 Claim, 8 Drawing Sheets**

(56) **References Cited**  
U.S. PATENT DOCUMENTS  
D316,652 S \* 5/1991 Hunter ..... D7/510  
5,827,071 A 10/1998 Sorensen et al.  
D452,652 S \* 1/2002 Atkin ..... D9/447  
6,379,032 B1 4/2002 Sorensen



(56)

References Cited

U.S. PATENT DOCUMENTS

D677,121 S 3/2013 Meyers et al.  
 D682,034 S \* 5/2013 El-Saden ..... D7/510  
 D686,885 S 7/2013 Meyers et al.  
 D686,886 S 7/2013 Meyers et al.  
 D686,887 S 7/2013 Meyers et al.  
 D686,888 S 7/2013 Meyers et al.  
 D696,079 S 12/2013 Meyers et al.  
 D696,551 S 12/2013 Meyers et al.  
 D697,798 S 1/2014 Sorensen et al.  
 D700,801 S \* 3/2014 Jagger ..... D7/392.1  
 8,695,830 B2 4/2014 Meyers et al.  
 D709,320 S \* 7/2014 Jagger ..... D7/392.1  
 8,833,586 B2 9/2014 Meyers et al.  
 8,844,746 B2 9/2014 Meyers et al.  
 8,939,305 B2 1/2015 Meyers et al.  
 D727,097 S 4/2015 Sorensen et al.  
 D729,569 S \* 5/2015 Herbst ..... D7/392  
 D732,339 S 6/2015 Sorensen et al.  
 D733,497 S 7/2015 Sorensen et al.  
 9,120,598 B2 9/2015 Meyers et al.  
 D745,827 S 12/2015 Sorensen et al.  
 9,216,843 B2 12/2015 Sorensen et al.  
 D747,137 S \* 1/2016 Hakim ..... D7/396.2  
 D748,430 S 2/2016 Sorensen et al.  
 D748,478 S 2/2016 Sorensen et al.  
 D753,436 S \* 4/2016 Chaitanarit ..... D7/392  
 D760,027 S 6/2016 Meyers et al.

9,392,893 B2 7/2016 Sorensen et al.  
 D762,418 S 8/2016 Sorensen et al.  
 D768,491 S 10/2016 Sorensen et al.  
 9,492,024 B2 11/2016 Sorensen et al.  
 D778,129 S 2/2017 Sorensen et al.  
 D781,704 S \* 3/2017 Olson ..... D9/436  
 D786,497 S \* 5/2017 Sudlow ..... D27/162  
 9,694,953 B2 7/2017 Meyers et al.  
 D793,154 S 8/2017 Sorensen et al.  
 D795,646 S 8/2017 Sorensen et al.  
 D797,497 S 9/2017 Sorensen et al.  
 D797,498 S 9/2017 Sorensen et al.  
 D797,516 S 9/2017 Meyers et al.  
 D799,973 S 10/2017 Sorensen et al.  
 D801,173 S \* 10/2017 Lown ..... D9/449  
 9,790,007 B2 10/2017 Sorensen et al.  
 D804,903 S \* 12/2017 Mason ..... D7/510  
 D807,111 S 1/2018 Sorensen et al.  
 D810,565 S \* 2/2018 Johnson ..... D9/447  
 D815,944 S \* 4/2018 Lind ..... D9/447  
 D820,637 S \* 6/2018 Davis ..... D7/392.1  
 D821,809 S \* 7/2018 Rane ..... D7/396.2  
 D822,515 S \* 7/2018 Fornoff ..... D10/81  
 D847,560 S \* 5/2019 Calland ..... D7/392.1  
 2015/0201774 A1 7/2015 Sorensen et al.  
 2015/0201775 A1 7/2015 Sorensen et al.  
 2016/0264320 A1 9/2016 Meyers et al.  
 2017/0007076 A1 1/2017 Sorensen et al.  
 2017/0225850 A1 8/2017 Sorensen et al.

\* cited by examiner

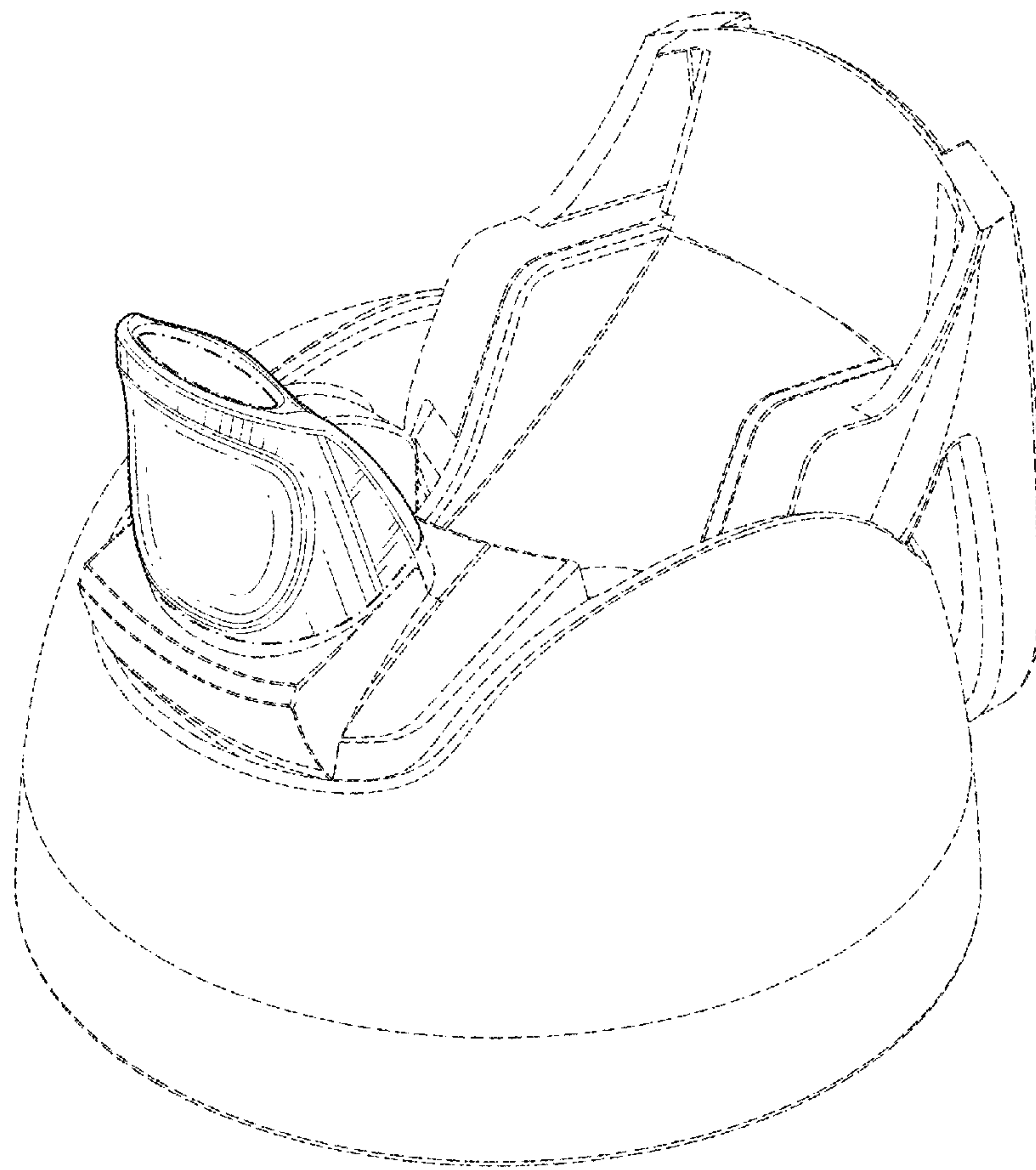


FIG. 1

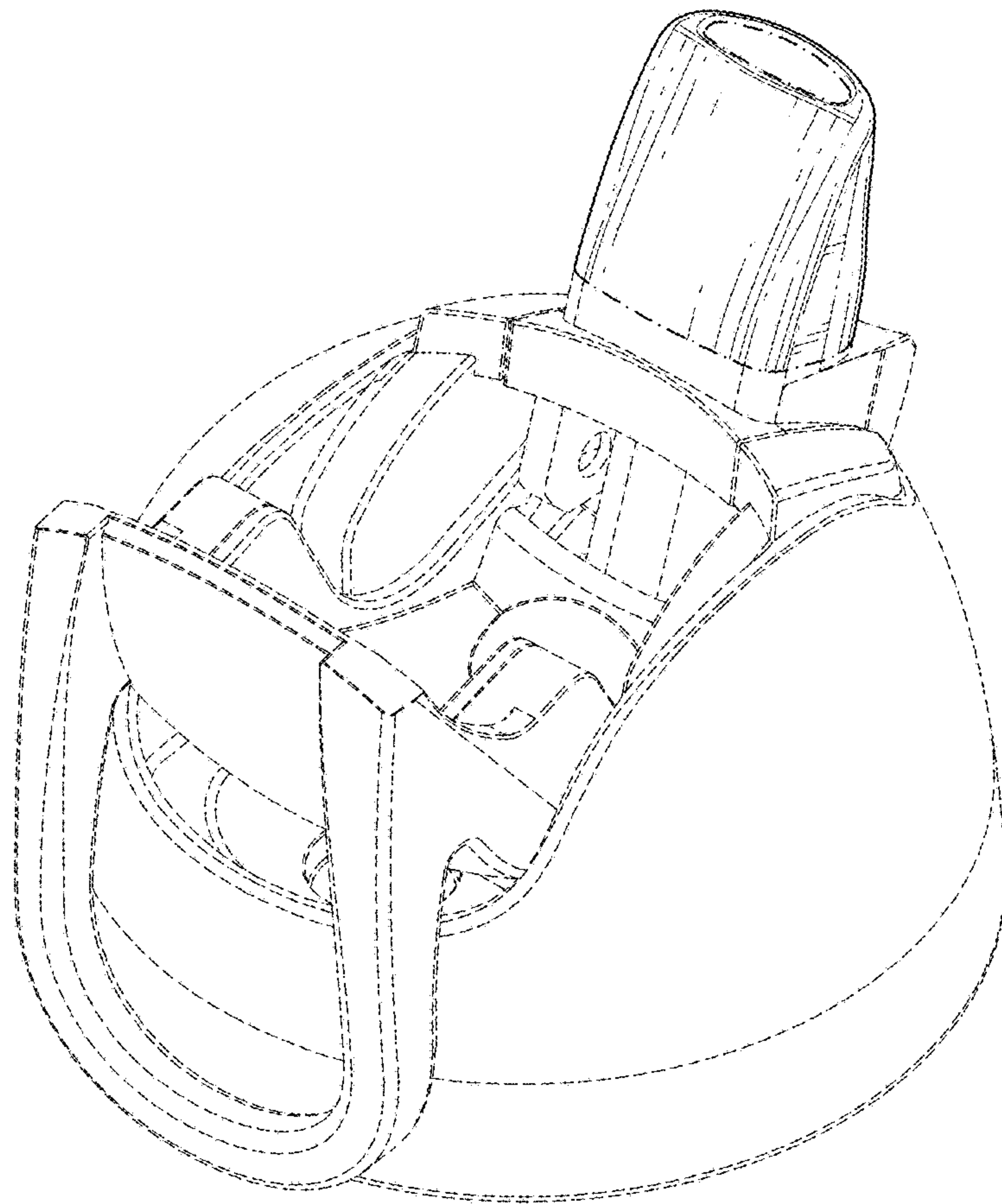


FIG. 2



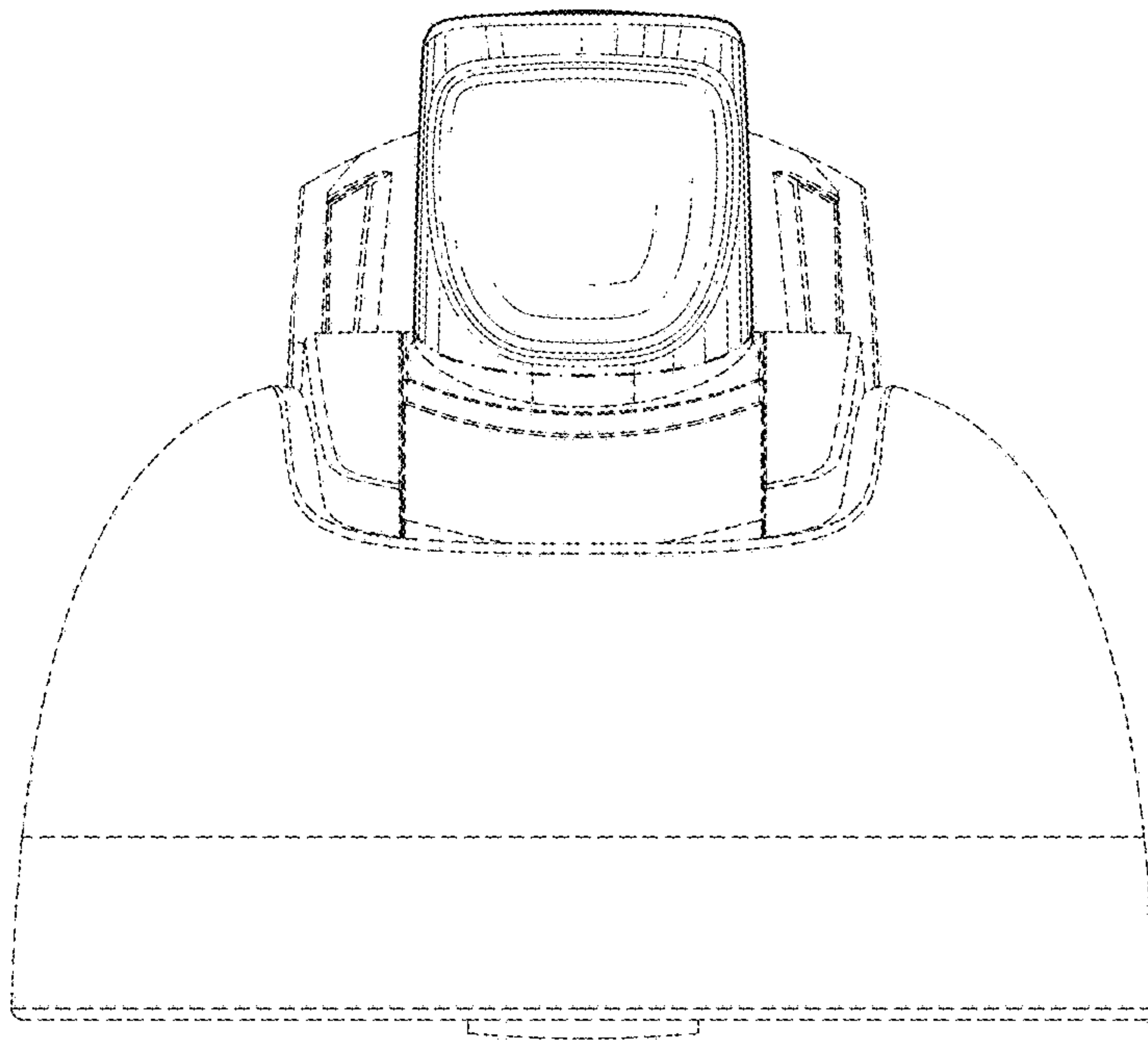


FIG. 3

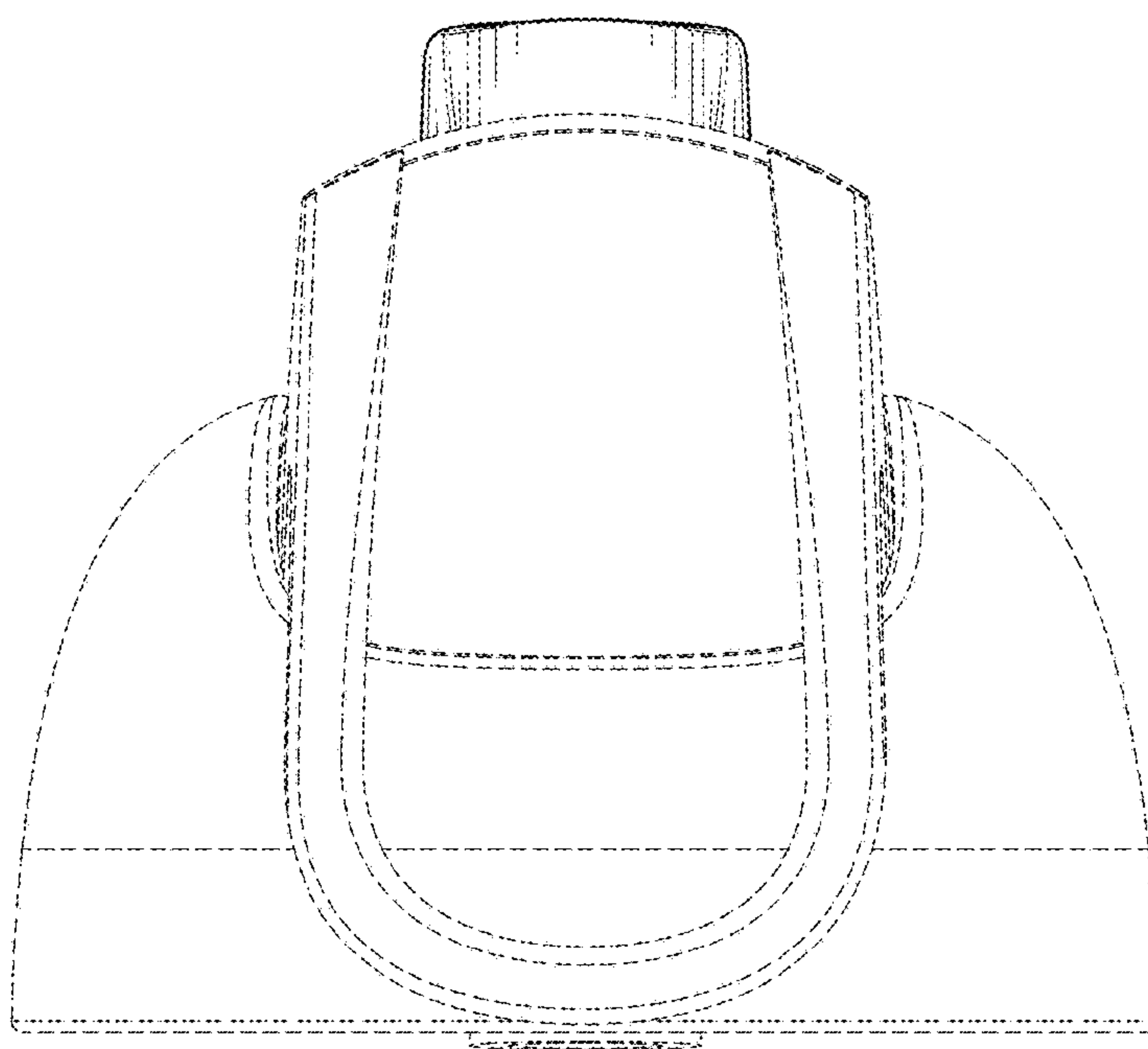


FIG. 4

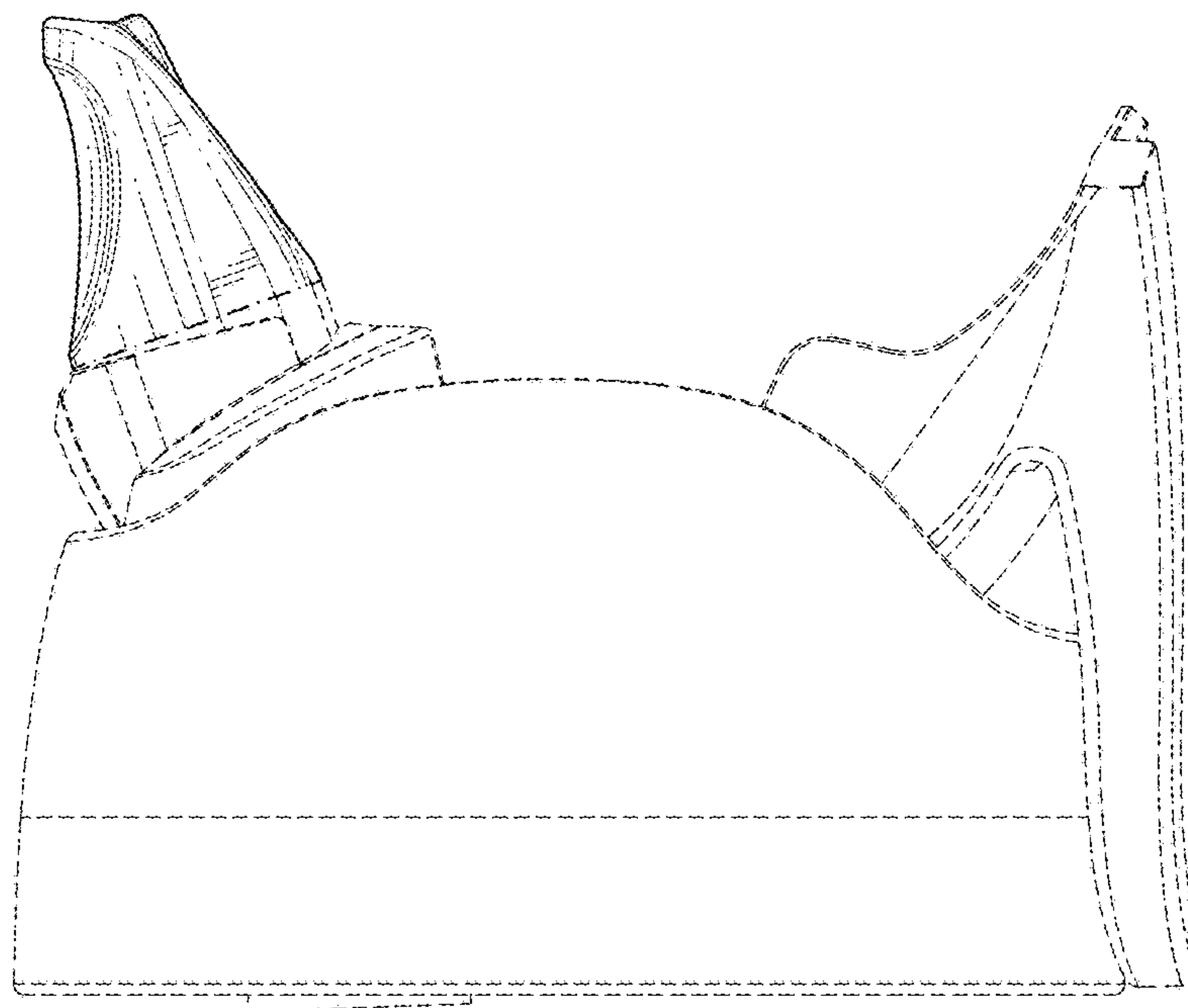


FIG. 5

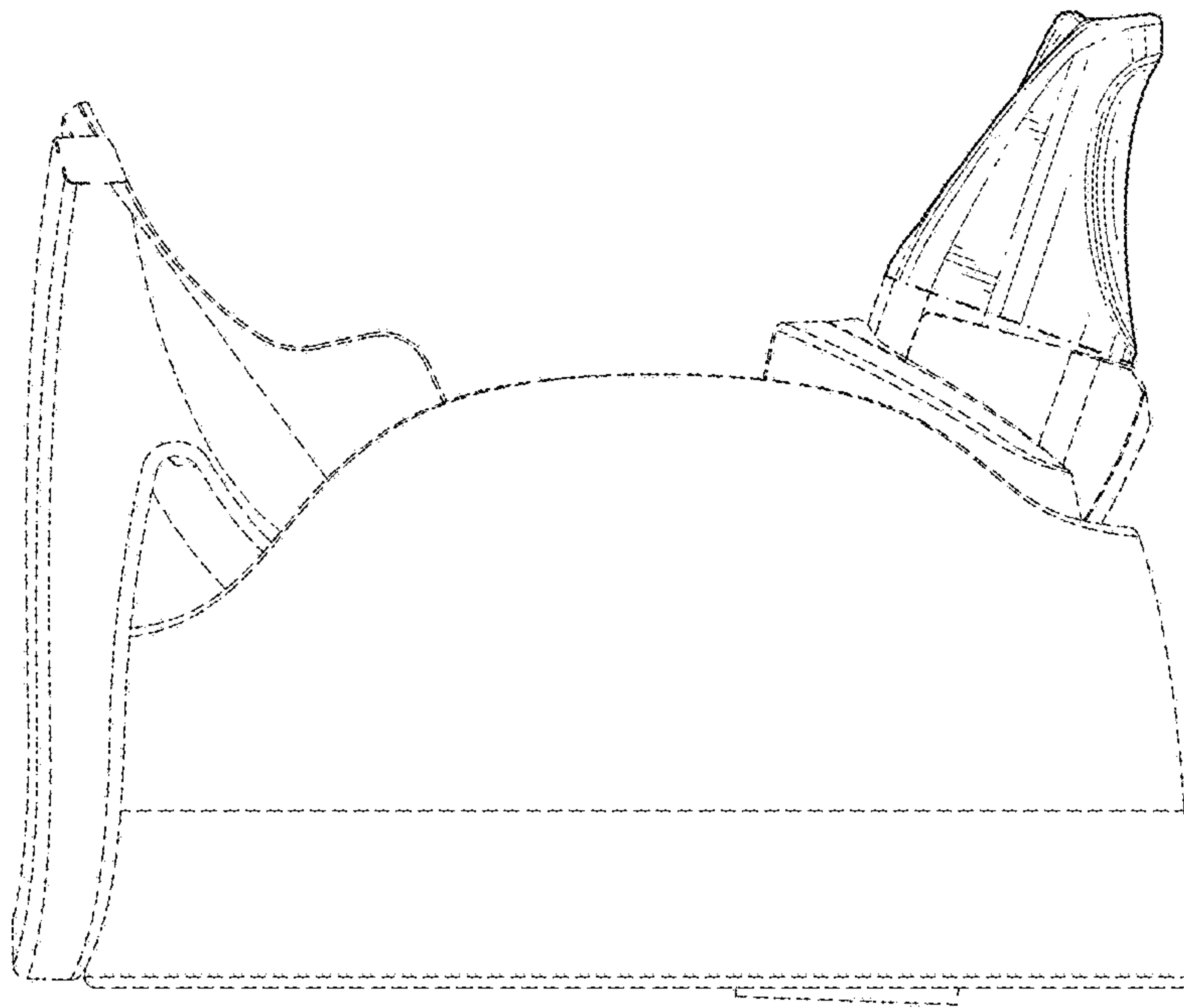


FIG. 6



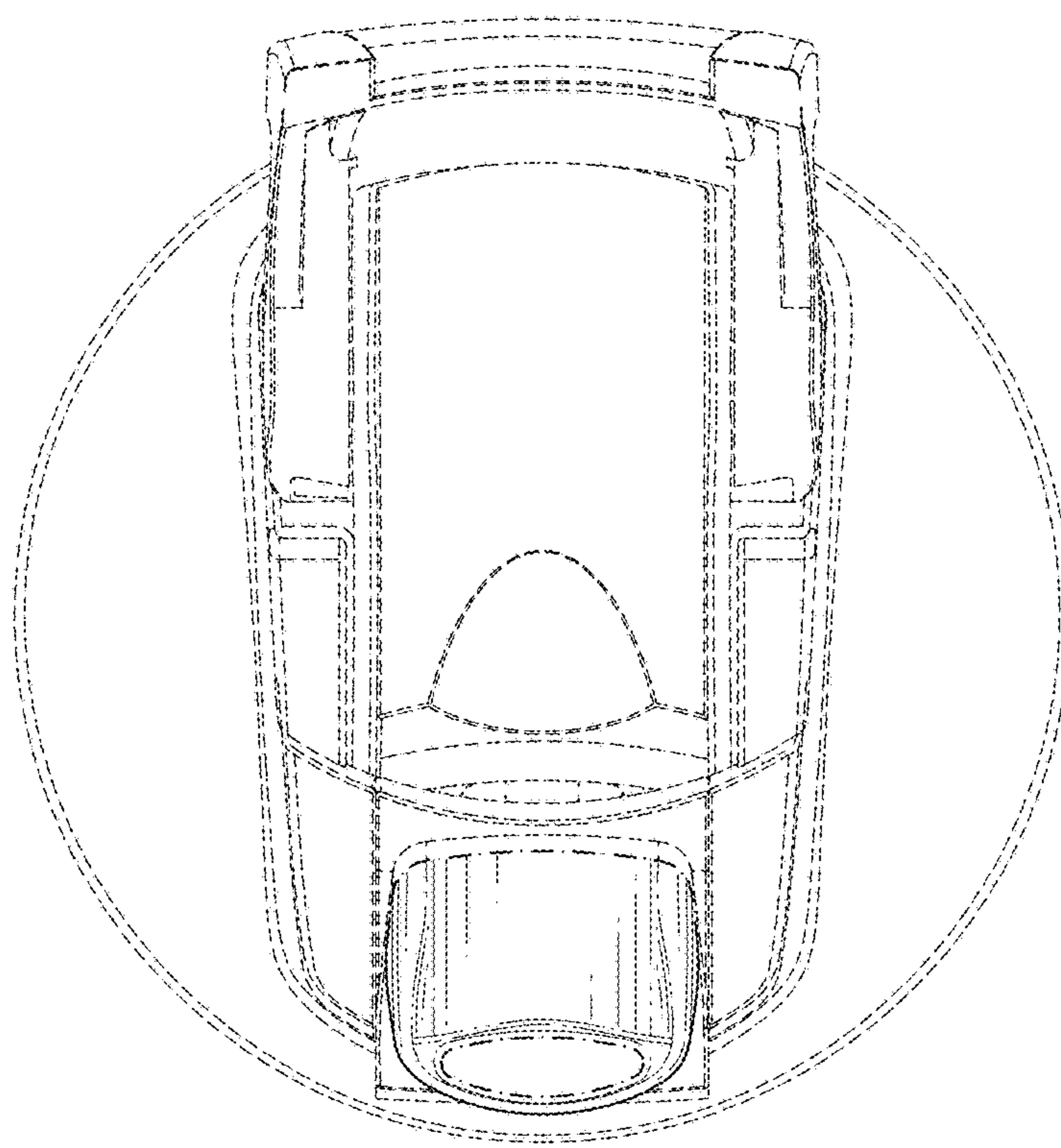


FIG. 7

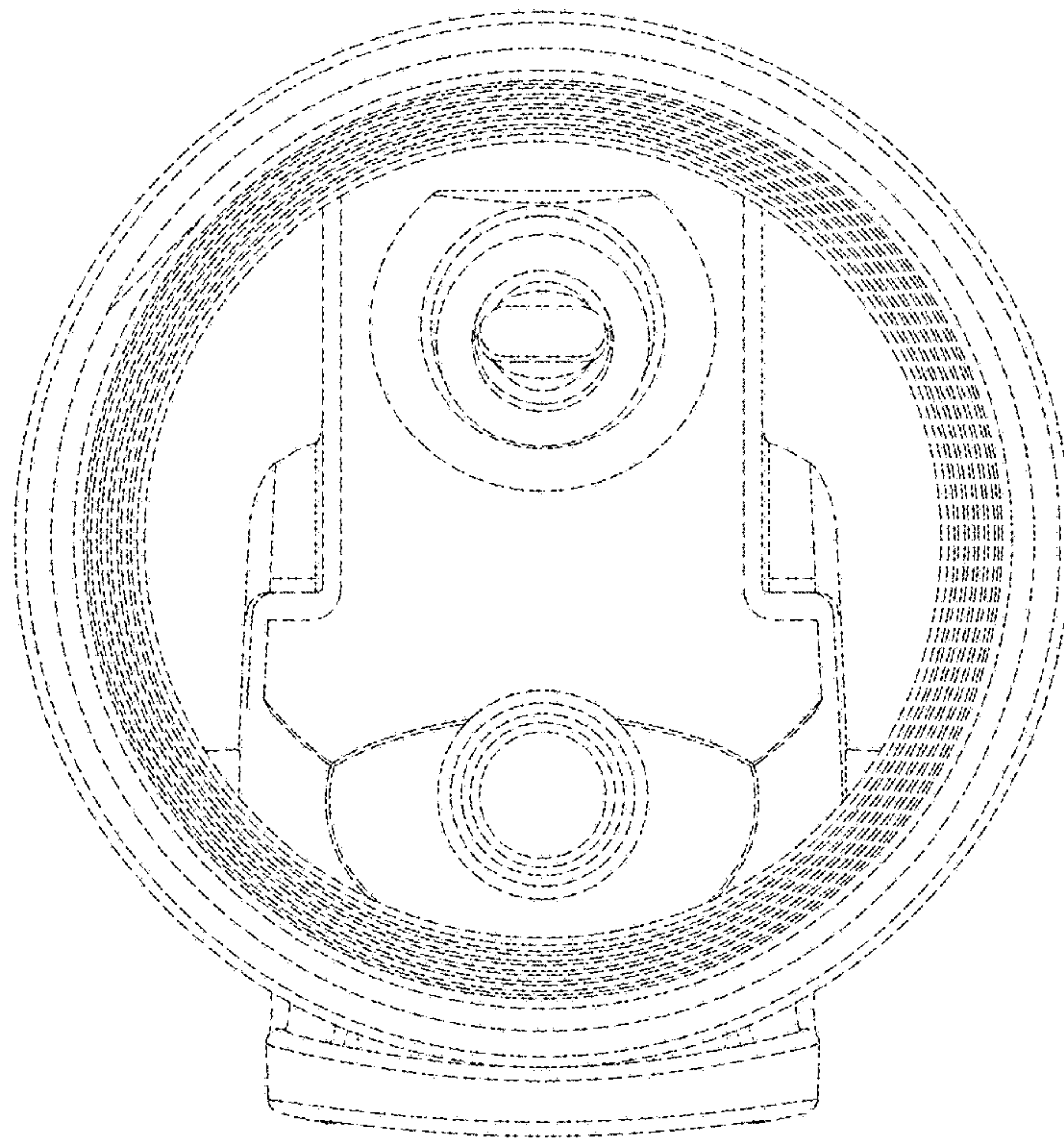


FIG. 8