



US00D885824S

(12) **United States Design Patent**
Neputy

(10) **Patent No.:** **US D885,824 S**

(45) **Date of Patent:** **** Jun. 2, 2020**

(54) **CARAFE CLOSURE**

(71) Applicant: **Silgan White Cap LLC**, Downers Grove, IL (US)

(72) Inventor: **Darren Neputy**, Palos Hills, IL (US)

(73) Assignee: **Silgan White Cap LLC**, Downers Grove, IL (US)

(**) Term: **15 Years**

(21) Appl. No.: **29/684,162**

(22) Filed: **Mar. 19, 2019**

(51) **LOC (12) Cl.** **07-99**

(52) **U.S. Cl.**
USPC **D7/392; D7/392.1**

(58) **Field of Classification Search**
USPC D7/387, 391, 394, 396.2, 509-511, 538,
D7/900; D3/201, 202; D9/434, 435,
D9/436, 439, 440, 442, 443, 446-450,
D9/499, 686
CPC .. A61J 1/00; A61J 1/1412; B65D 1/00; B65D
1/02; B65D 1/10; B65D 1/46; B65D
2585/56; B65D 2585/545; B65D 41/00;
B65D 41/38; B65D 41/56; B65D 41/62;
B65D 47/00; B65D 47/06; B65D 47/08;
B65D 2543/00046; B65D 2543/00092;
B65D 2543/00296; B65D 5/46; B65D
2251/00

See application file for complete search history.

(56) **References Cited**

U.S. PATENT DOCUMENTS

- 5,487,481 A * 1/1996 Sander B65D 41/3447
215/252
- D415,962 S * 11/1999 Garcia D9/453
- D442,029 S * 5/2001 Otake D7/510

- D478,779 S * 8/2003 Stamper, III D7/510
- D490,272 S * 5/2004 Rohe D7/510
- D574,240 S * 8/2008 Szczesniak D9/453
- D612,197 S * 3/2010 Chan D7/392.1
- D654,366 S * 2/2012 Presche D9/504
- D733,967 S * 7/2015 Schlatter D28/85
- D751,694 S * 3/2016 Shubin, Sr. D24/121
- D800,503 S * 10/2017 Notheis D7/523
- D813,671 S * 3/2018 Arthur, IV D9/452
- D820,634 S * 6/2018 Michie D7/392.1
- D827,377 S * 9/2018 Silsby D7/510
- D861,432 S * 10/2019 Ou D7/507
- 2015/0021458 A1 * 1/2015 Zorovich B29C 33/0038
249/134

* cited by examiner

Primary Examiner — Karen S Acker

Assistant Examiner — Steven B Reinholdt, Jr.

(74) *Attorney, Agent, or Firm* — Reinhart Boerner Van Deuren s.c.

(57) **CLAIM**

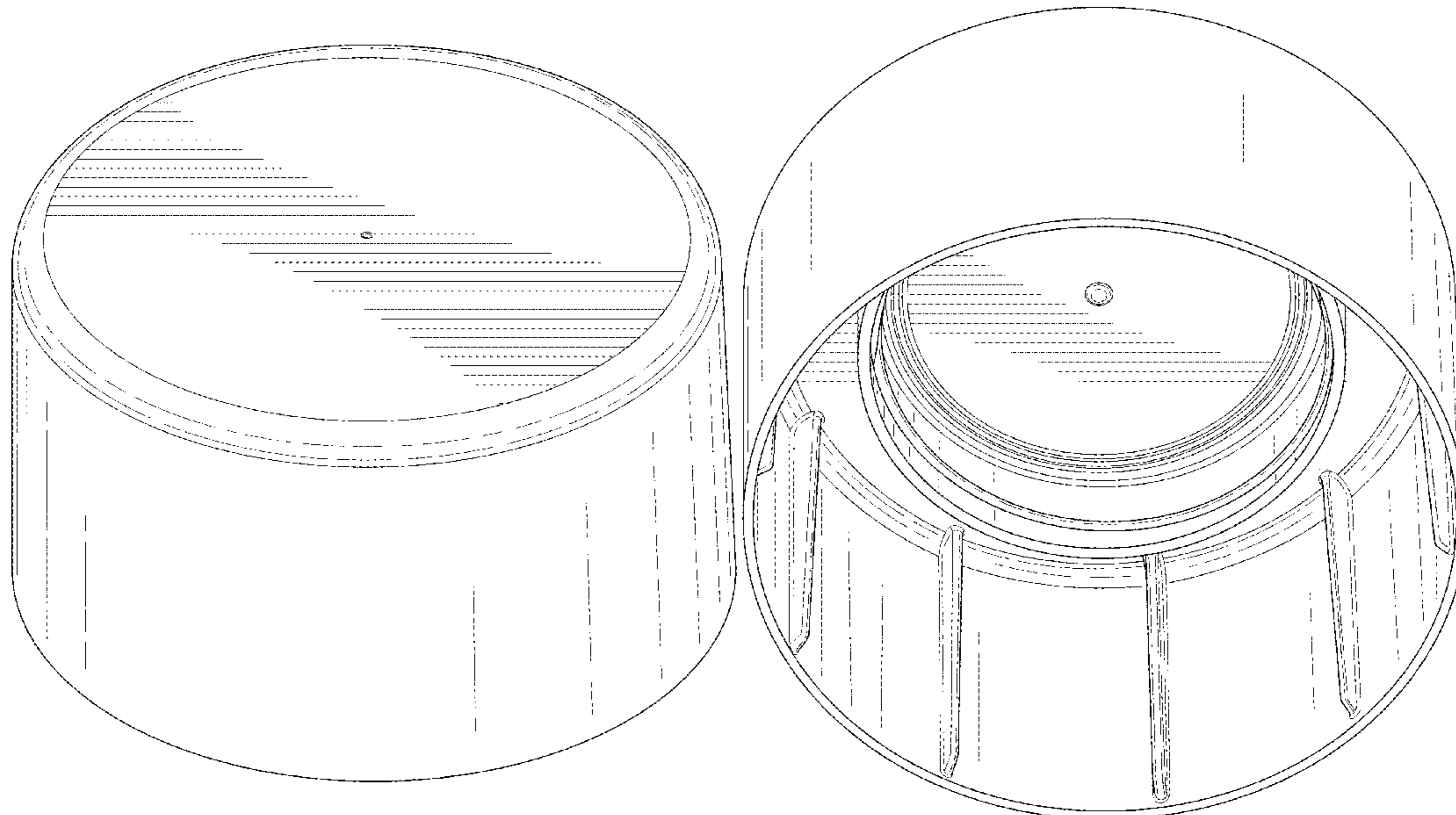
I claim the ornamental design for a carafe closure, as shown and described.

DESCRIPTION

FIG. 1 is a top perspective view of a carafe closure;
 FIG. 2 is a bottom perspective view of FIG. 1;
 FIG. 3 is a top view of FIG. 1;
 FIG. 4 is a bottom view of FIG. 1;
 FIG. 5 is a front view of FIG. 1;
 FIG. 6 is a back view of FIG. 1;
 FIG. 7 is a left side view of FIG. 1;
 FIG. 8 is a right side view of FIG. 1; and,
 FIG. 9 is a cross-sectional view taken in the direction of line 9-9 in FIG. 3.

The broken lines in FIG. 3 denote the direction of the cross-sectional view and form no part of the claimed design.

1 Claim, 9 Drawing Sheets



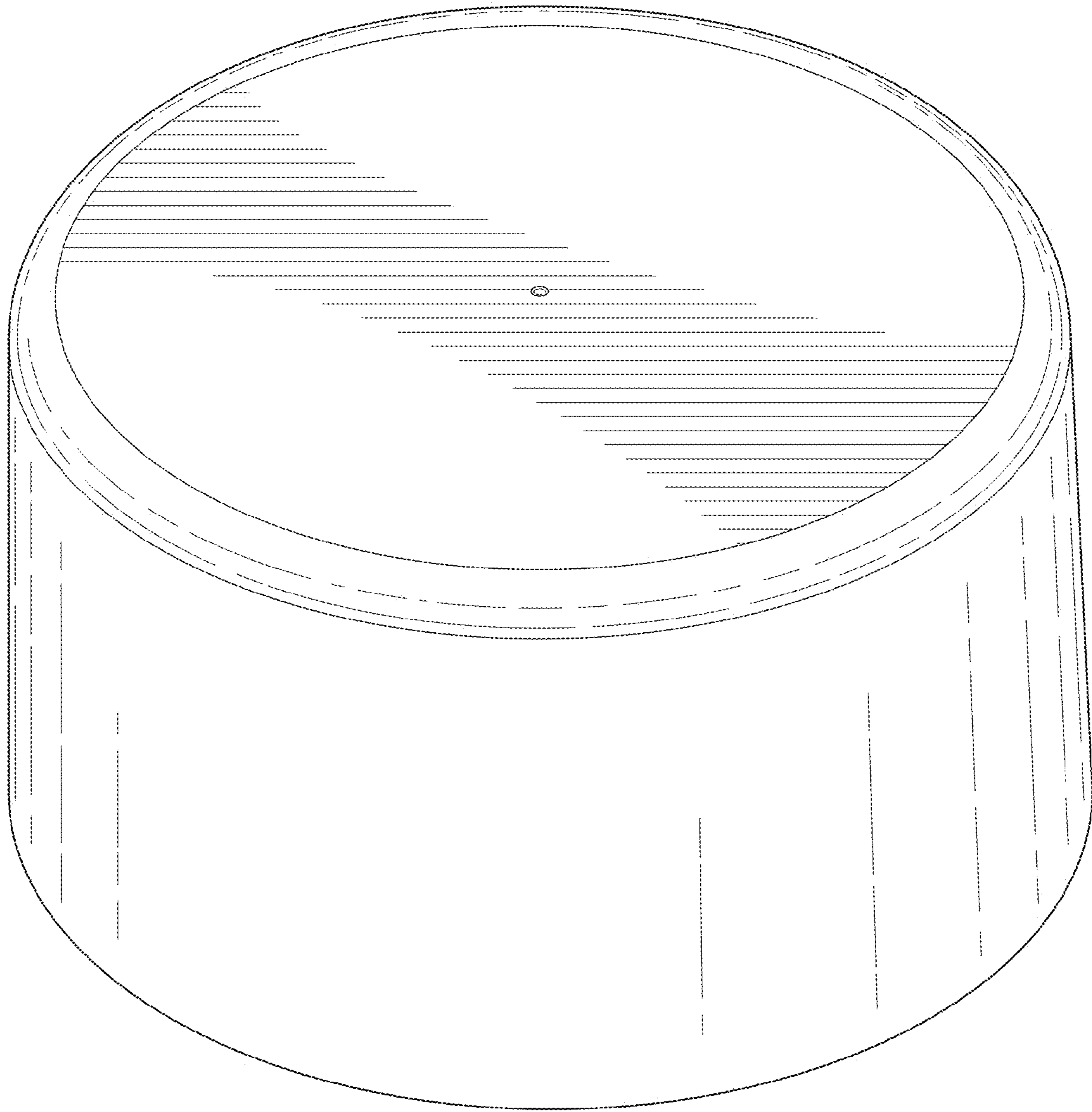


FIG. 1

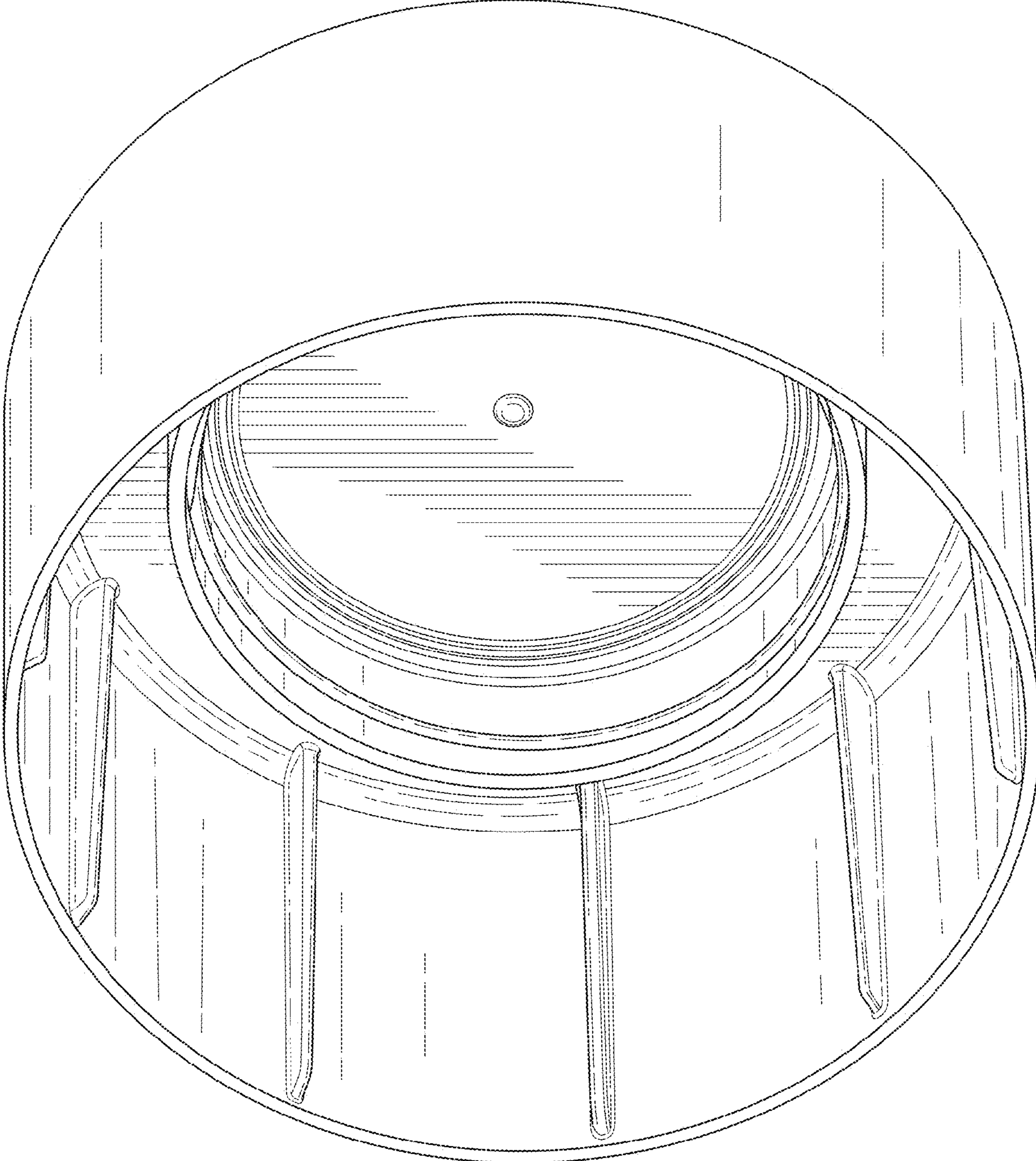


FIG. 2

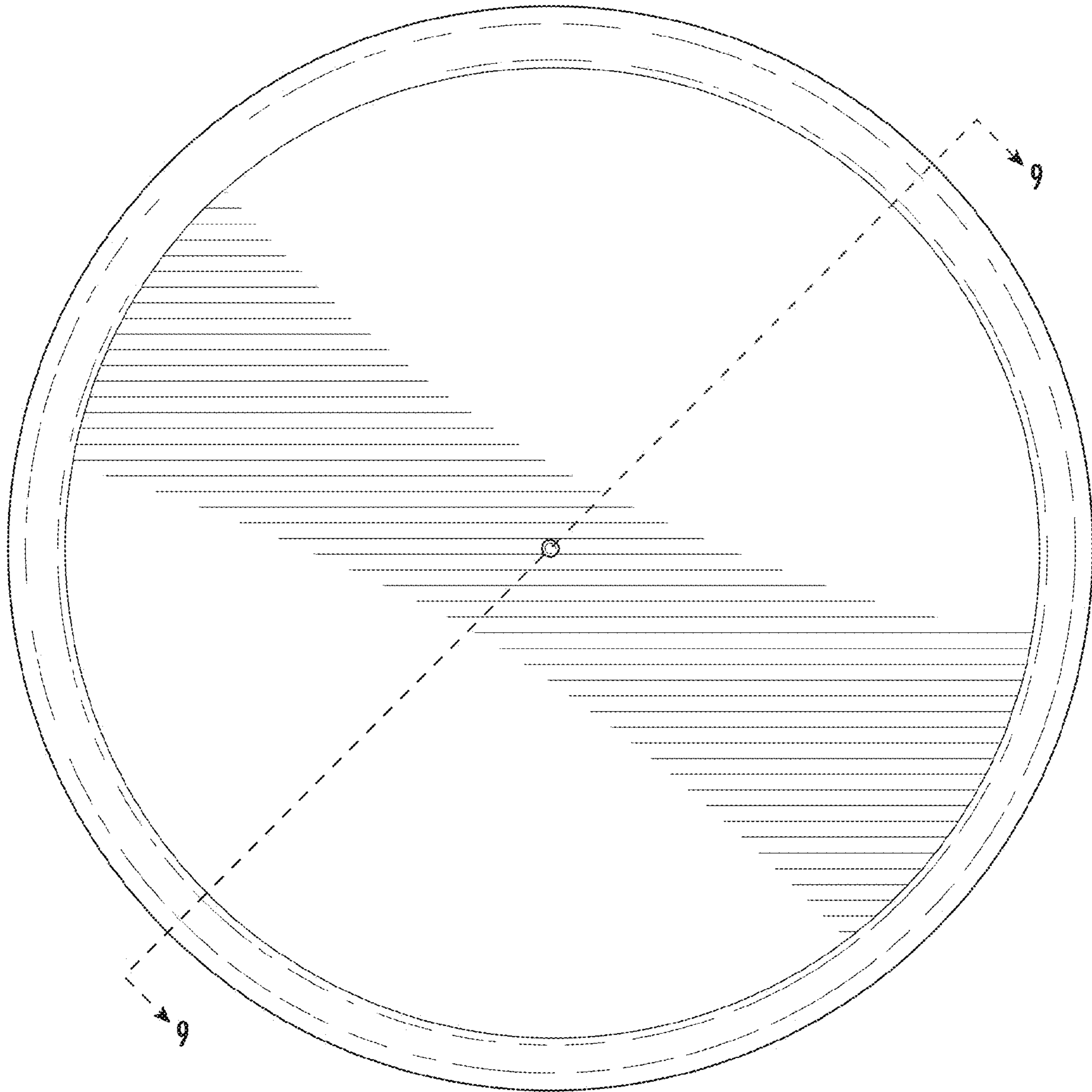


FIG. 3

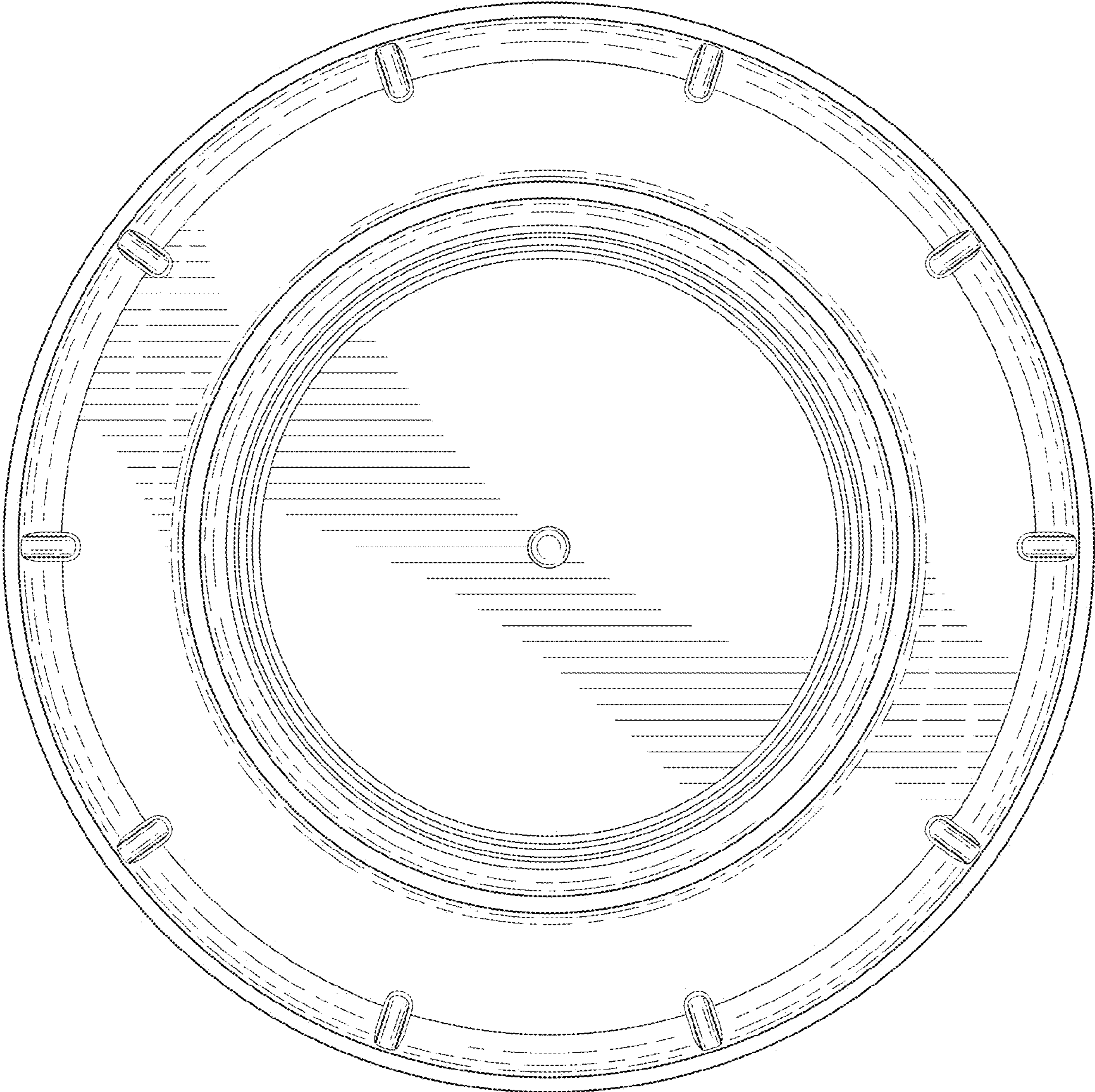


FIG. 4



FIG. 5



FIG. 6



FIG. 7



FIG. 8

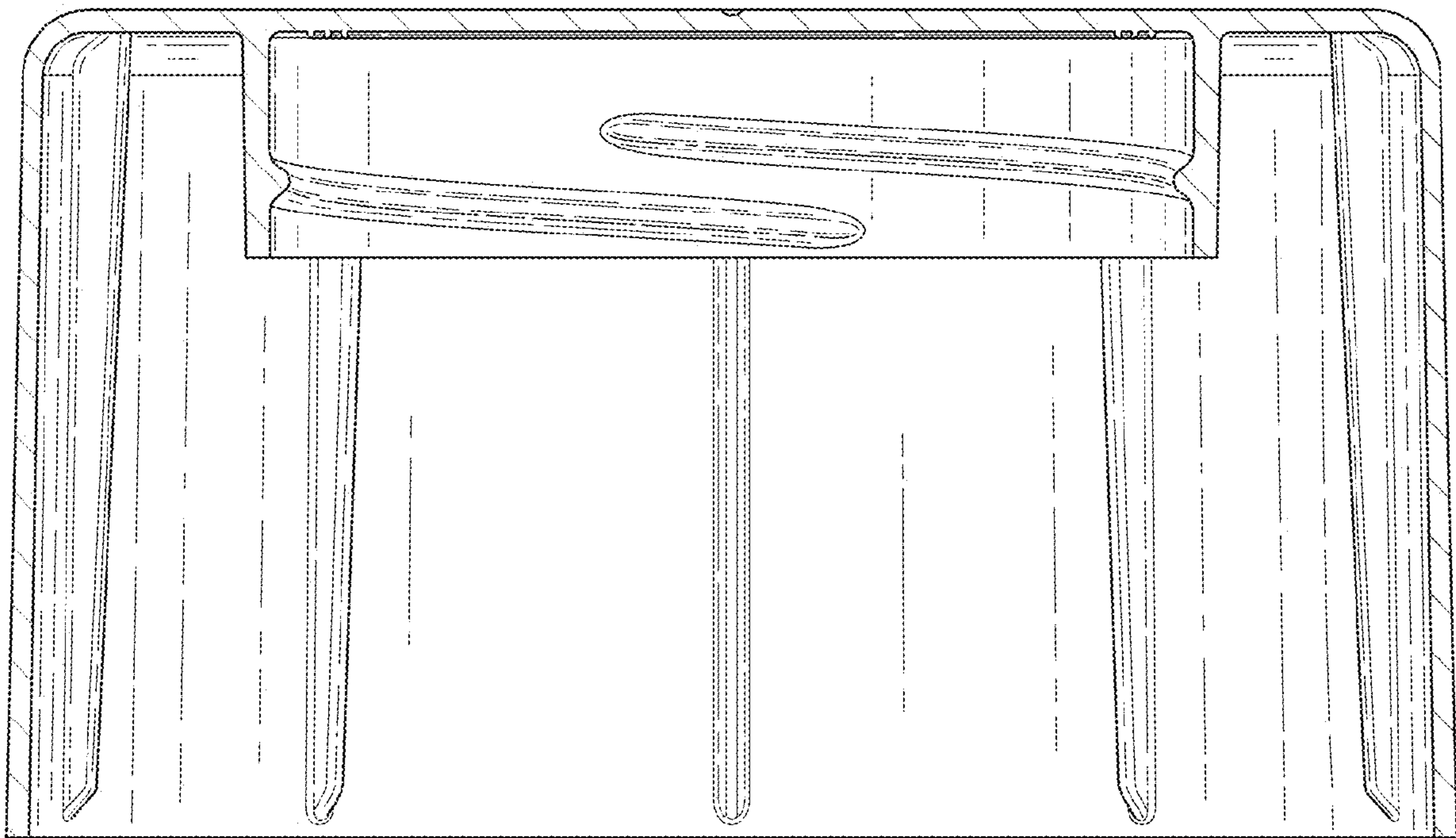


FIG. 9