



US00D885821S

(12) **United States Design Patent** (10) **Patent No.:** **US D885,821 S**  
**Larsen et al.** (45) **Date of Patent:** **\*\* Jun. 2, 2020**

(54) **FERMENTER FOR MANUFACTURE OF PROTEINS**

(71) Applicant: **UNIBIO A/S**, Odense M (DK)  
(72) Inventors: **Ebbe Busch Larsen**, Odense South East (DK); **John Villadsen**, Ålsgårde (DK); **Patrick Nicklas Pederson**, Tølløse (DK); **Benny Max Moulin Grühl**, Rødovre (DK)

(73) Assignee: **UNIBIO A/S**, Odense M (DK)

(\*\*) Term: **15 Years**

(21) Appl. No.: **29/668,826**

(22) Filed: **Nov. 2, 2018**

(30) **Foreign Application Priority Data**

Sep. 3, 2018 (EP) ..... 005627353-0001

(51) **LOC (12) Cl.** ..... **31-00**

(52) **U.S. Cl.**  
USPC ..... **D7/368**

(58) **Field of Classification Search**  
USPC ..... D7/368, 387, 213, 398, 323, 300, 402;  
D15/1-7, 9.1, 28, 199  
CPC .. C12C 13/00; C12C 1/00; C12C 1/02; C12C 11/006; B01F 3/04602

See application file for complete search history.

(56) **References Cited**

U.S. PATENT DOCUMENTS

5,075,234 A \* 12/1991 Tunac ..... B01F 3/04602  
261/122.1  
D325,386 S \* 4/1992 Sergi ..... D15/5  
9,523,067 B2 \* 12/2016 Wallace ..... C12C 13/10  
9,719,060 B1 \* 8/2017 MacLennan ..... C12C 11/006  
2004/0123902 A1 \* 7/2004 Worczynski ..... C12C 11/006  
137/266  
2015/0000532 A1 \* 1/2015 Mitchell ..... C12C 1/02  
99/276

\* cited by examiner

*Primary Examiner* — Terry A Wallace

(74) *Attorney, Agent, or Firm* — Nath, Goldberg & Meyer; Jerald L. Meyer

(57) **CLAIM**

The ornamental design for the fermenter for manufacture of proteins, as shown and described.

**DESCRIPTION**

FIG. 1 is a perspective view;  
FIG. 2 is a front view;  
FIG. 3 is a back view;  
FIG. 4 is a left side view;  
FIG. 5 is a right side view;  
FIG. 6 is a top view; and,  
FIG. 7 is a bottom view.

**1 Claim, 7 Drawing Sheets**

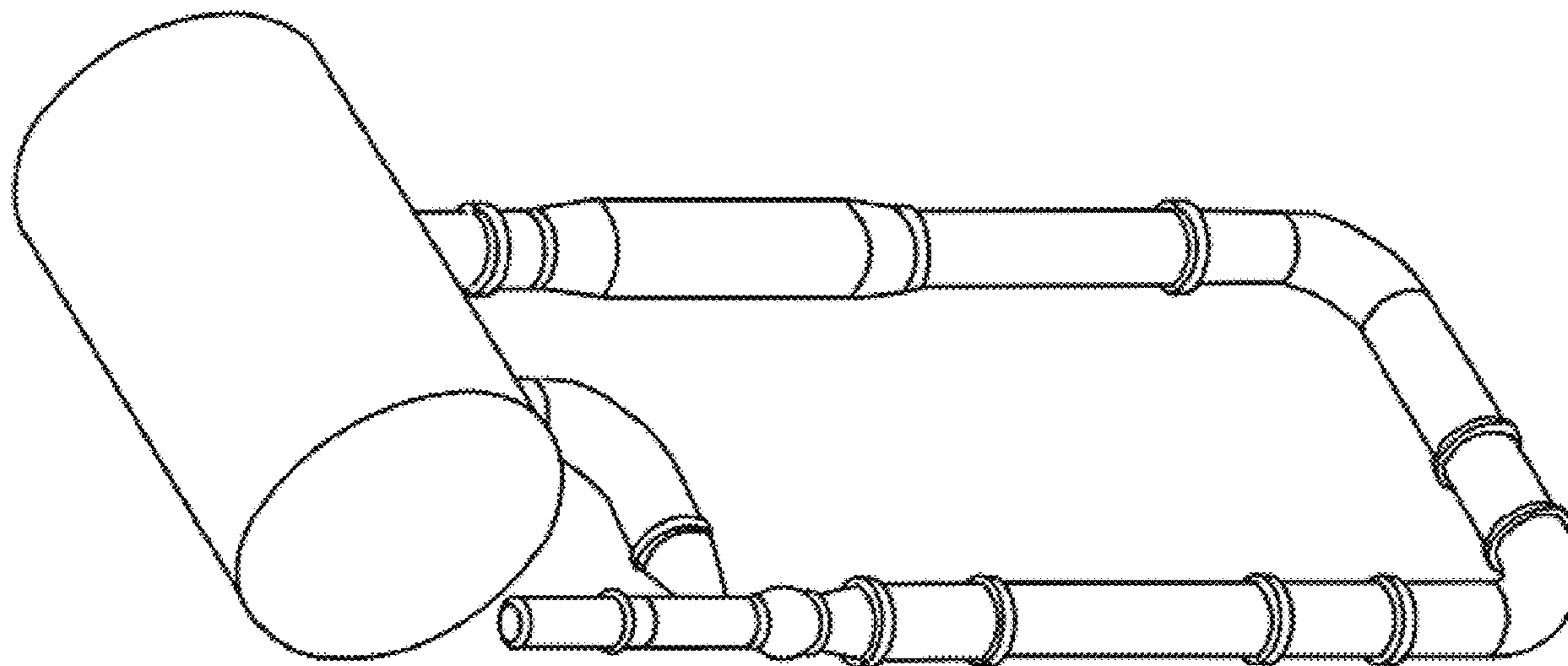


Fig. 1

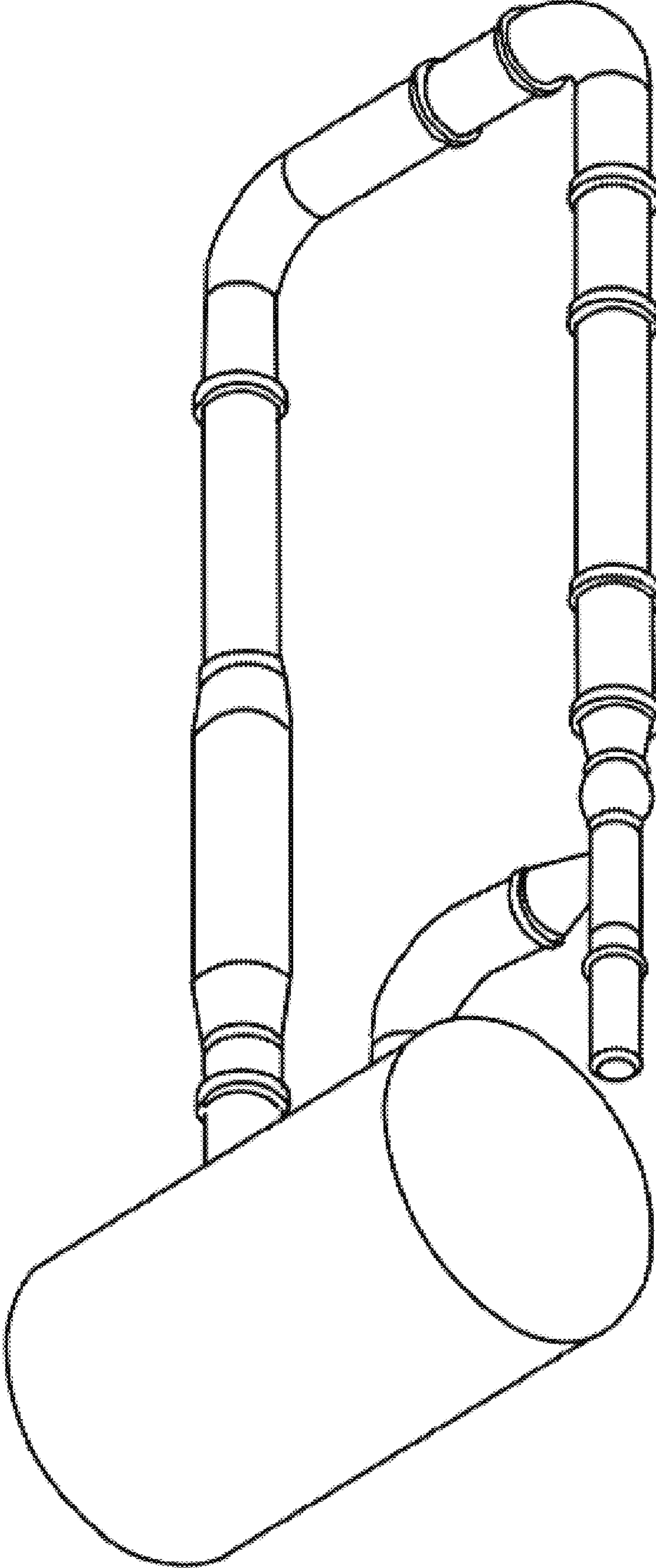


Fig. 2

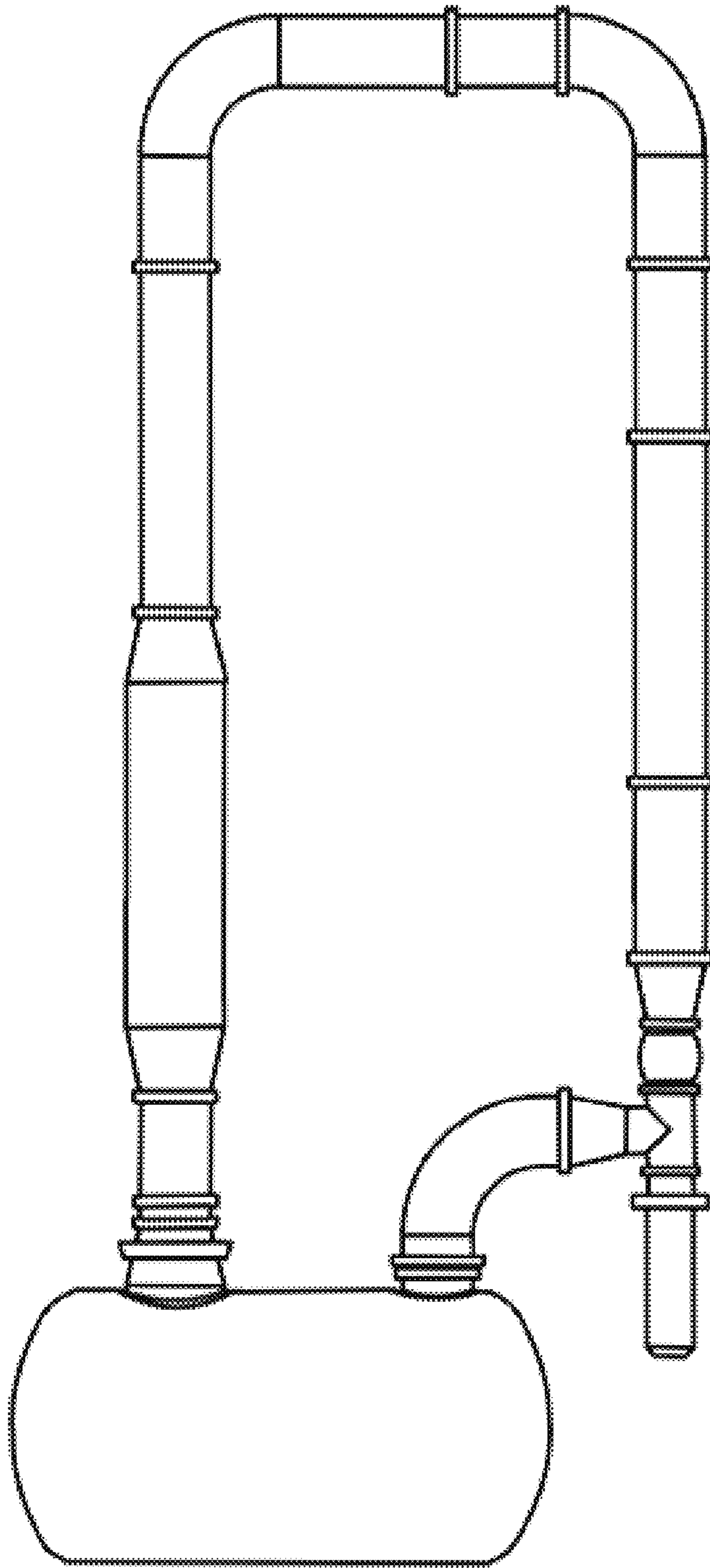


Fig. 3

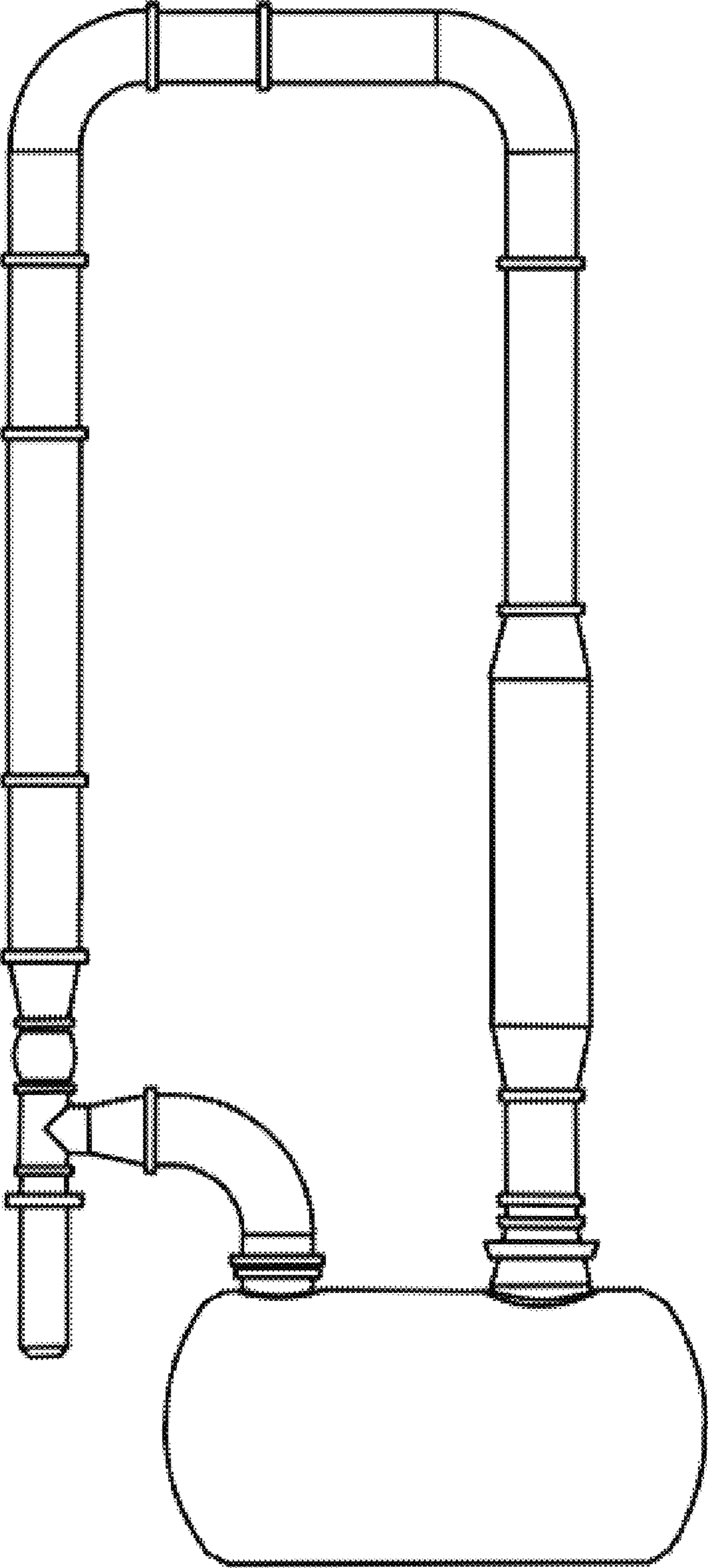


Fig. 4

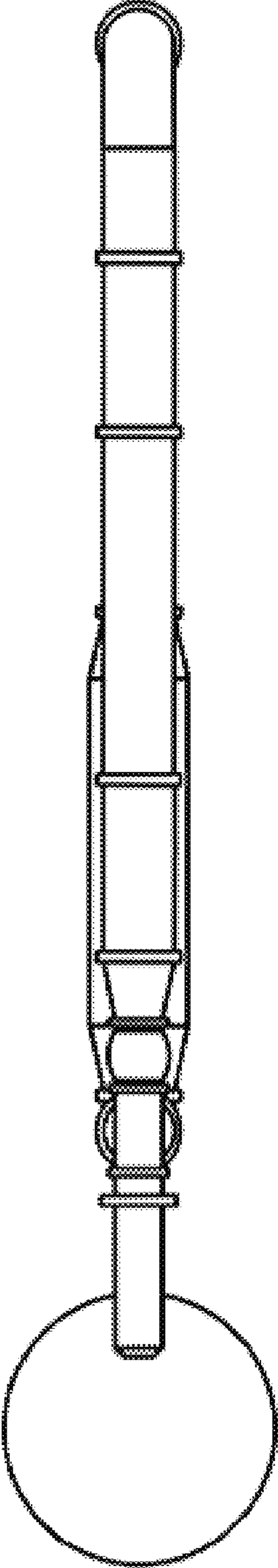


Fig. 5

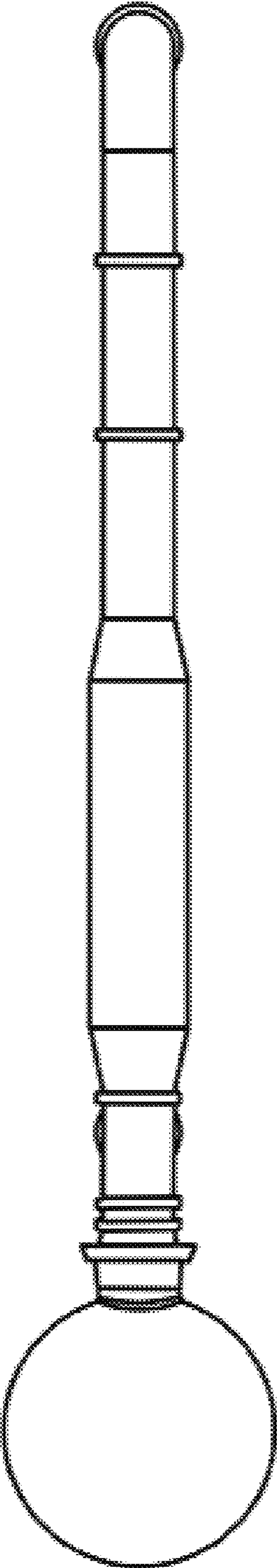


Fig. 6

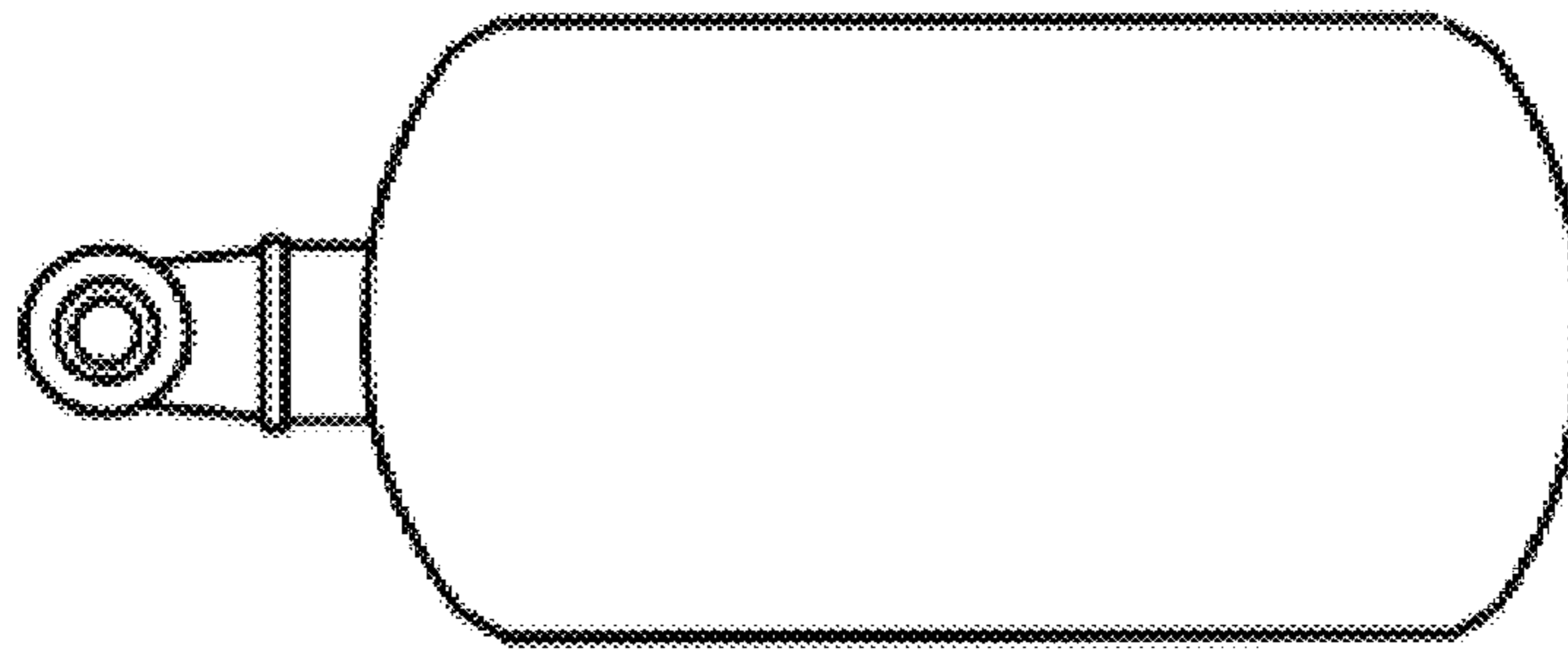


Fig. 7

