



US00D885817S

(12) **United States Design Patent** (10) **Patent No.:** **US D885,817 S**
Ye (45) **Date of Patent:** **** Jun. 2, 2020**

- (54) **COFFEEMAKER**
- (71) Applicant: **Hamilton Beach Brands, Inc.**, Glen Allen, VA (US)
- (72) Inventor: **Guoyao Ye**, Glen Allen, VA (US)
- (73) Assignee: **Hamilton Beach Brands, Inc.**, Glen Allen, VA (US)
- (**) Term: **15 Years**
- (21) Appl. No.: **29/682,101**
- (22) Filed: **Mar. 1, 2019**
- (51) **LOC (12) Cl.** **07-01**
- (52) **U.S. Cl.**
USPC **D7/306; D7/311**
- (58) **Field of Classification Search**
USPC D7/300, 309-311, 306-308, 305, 397, 222/185.1, 135; 99/295, 323.1; D23/207
CPC A47J 31/02; A47J 31/407; A47J 31/18; A47J 31/061; A47J 31/4403; B67D 1/0869; B67D 1/0004; B67D 1/0036
See application file for complete search history.

- D627,188 S * 11/2010 Picozza D7/306
- D628,007 S * 11/2010 Di Bitonto D7/309
- D649,826 S * 12/2011 Garman D7/306
- D669,154 S * 10/2012 Choi D23/207
- D677,510 S * 3/2013 Tetreault D7/309
- D719,776 S * 12/2014 Kunz D7/309
- D721,531 S * 1/2015 Krasne D7/309
- D766,653 S * 9/2016 Rosati D7/397
- D792,739 S * 7/2017 Palermo D7/306
- D800,496 S * 10/2017 Palermo D7/397
- D873,596 S * 1/2020 Steiner D7/309
- 2010/0233338 A1 * 9/2010 Garcia A47J 31/4403
426/431
- 2014/0013958 A1 * 1/2014 Krasne A47J 31/407
99/284
- 2017/0099983 A1 * 4/2017 Hanes A47J 31/56

* cited by examiner

Primary Examiner — Marianne N Pandozzi
(74) *Attorney, Agent, or Firm* — Alexander D. Raring

(57) **CLAIM**

The ornamental design for a coffeemaker, as shown and described.

DESCRIPTION

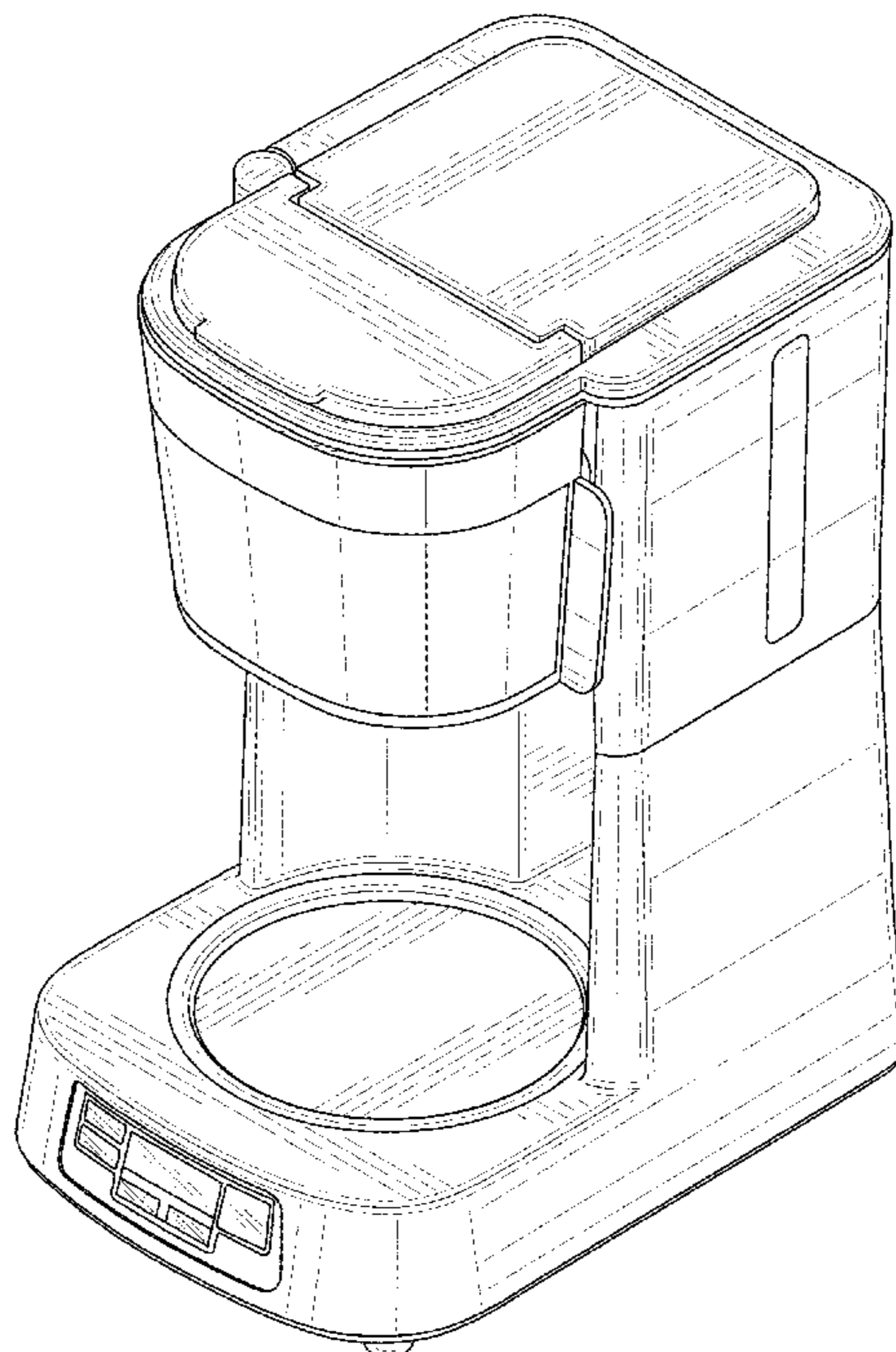
FIG. 1 is a perspective view of a beverage maker showing my new design;
FIG. 2 a front view thereof;
FIG. 3 is a rear view thereof;
FIG. 4 is a right side view thereof;
FIG. 5 is a left side view thereof;
FIG. 6 is a top plan view thereof; and,
FIG. 7 is a bottom plan view thereof.
The broken lines in the drawing depict environmental subject matter only and form no part of the claimed design.

1 Claim, 7 Drawing Sheets

(56) **References Cited**

U.S. PATENT DOCUMENTS

- D454,466 S * 3/2002 Hong D7/309
- D515,348 S * 2/2006 McWilliam D7/306
- D545,110 S * 6/2007 Julemont D7/309
- D546,112 S * 7/2007 Rorke D7/309
- D564,280 S * 3/2008 Ting D7/309
- D594,688 S * 6/2009 Hammad D7/306
- D620,301 S * 7/2010 Picozza D7/309
- D625,134 S * 10/2010 Moore D7/309



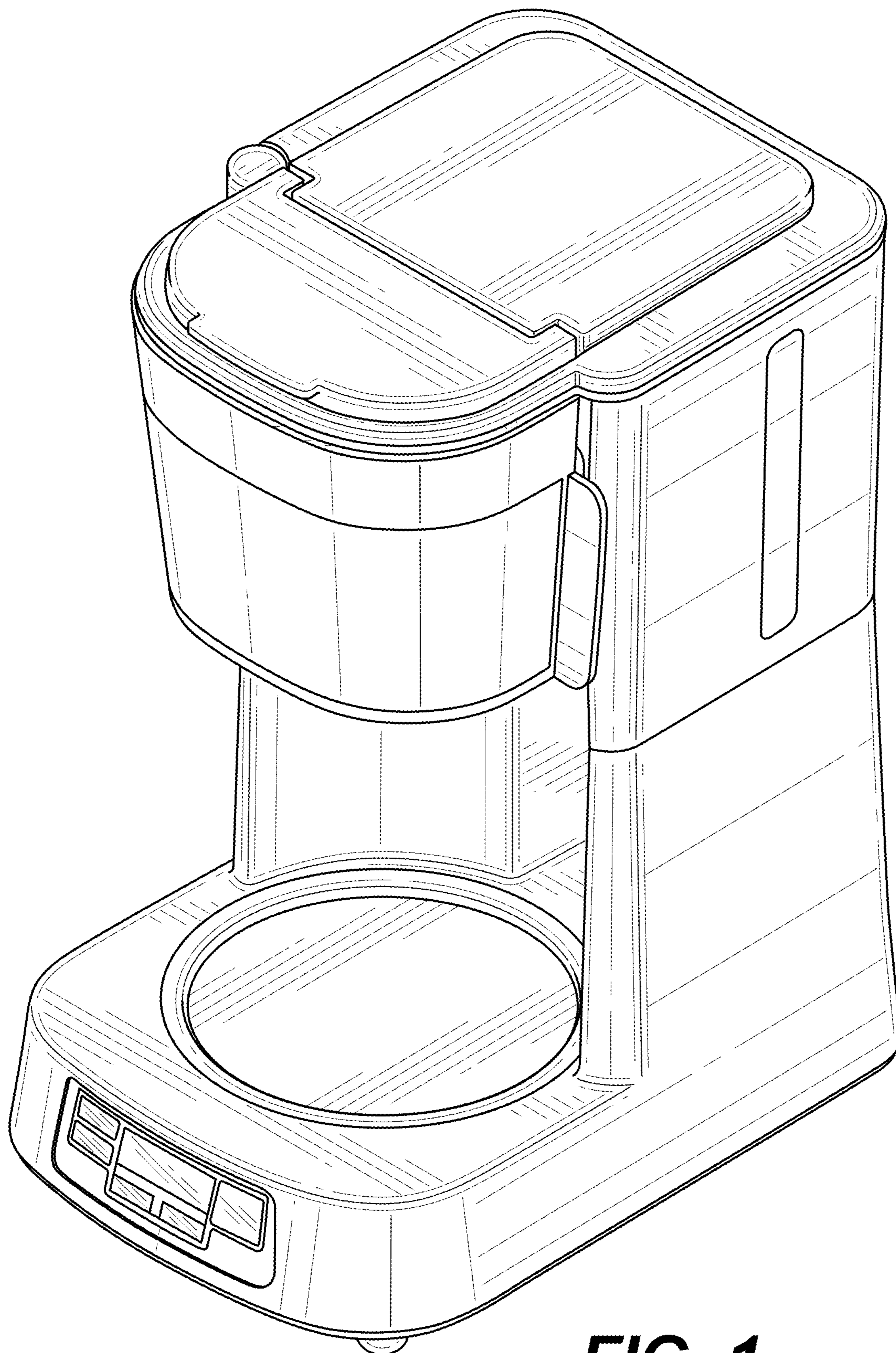


FIG. 1

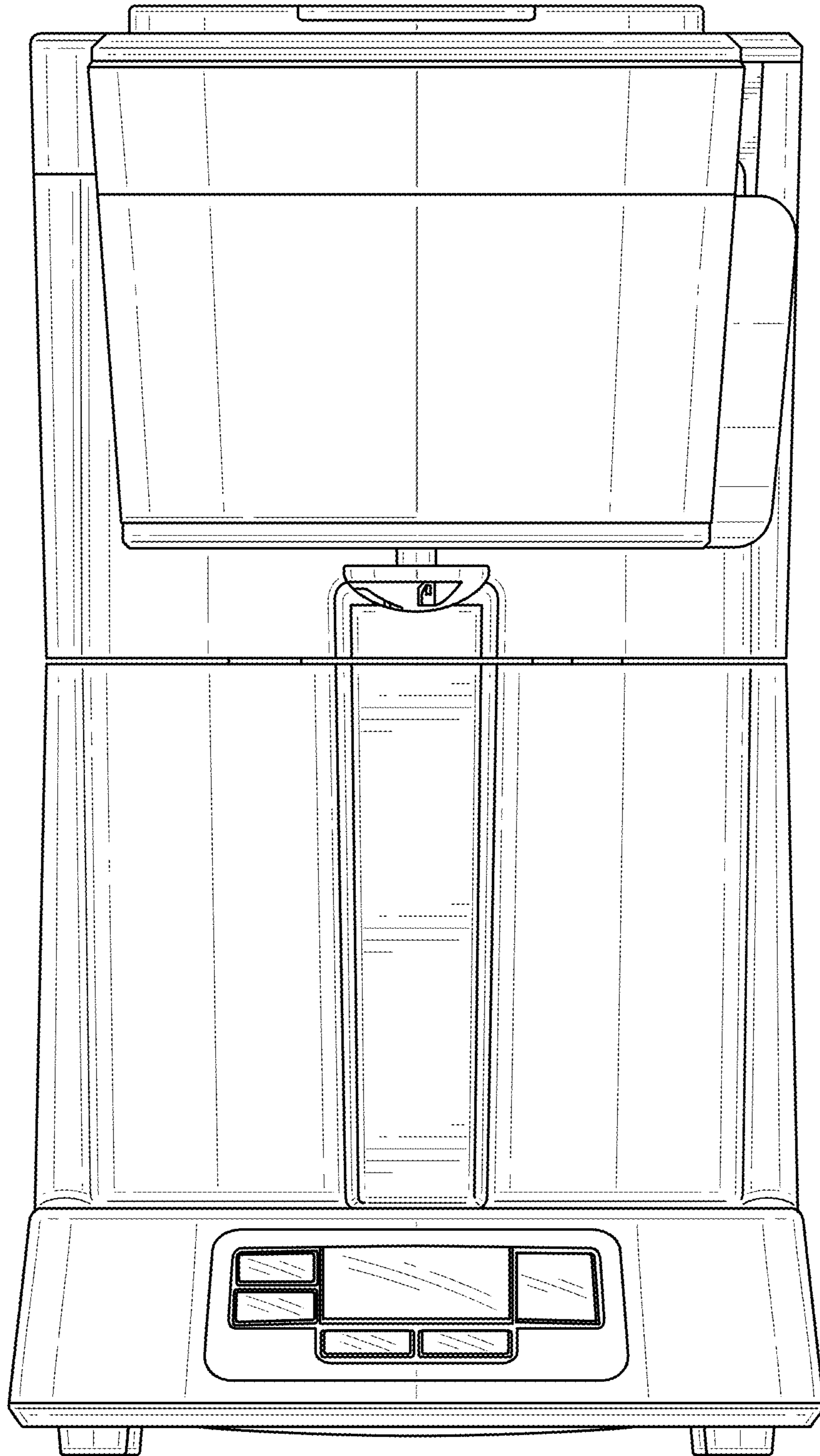


FIG. 2

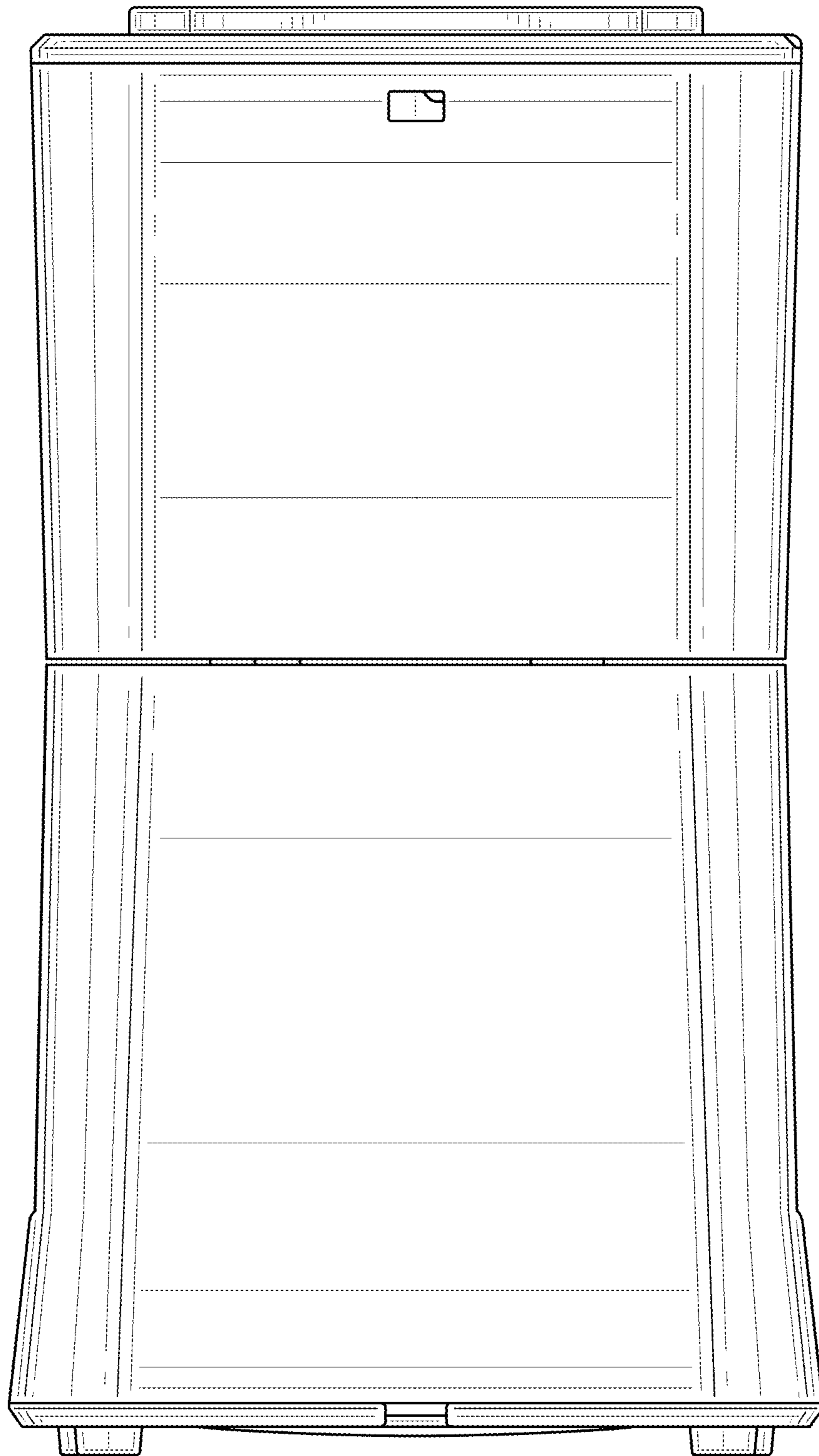


FIG. 3

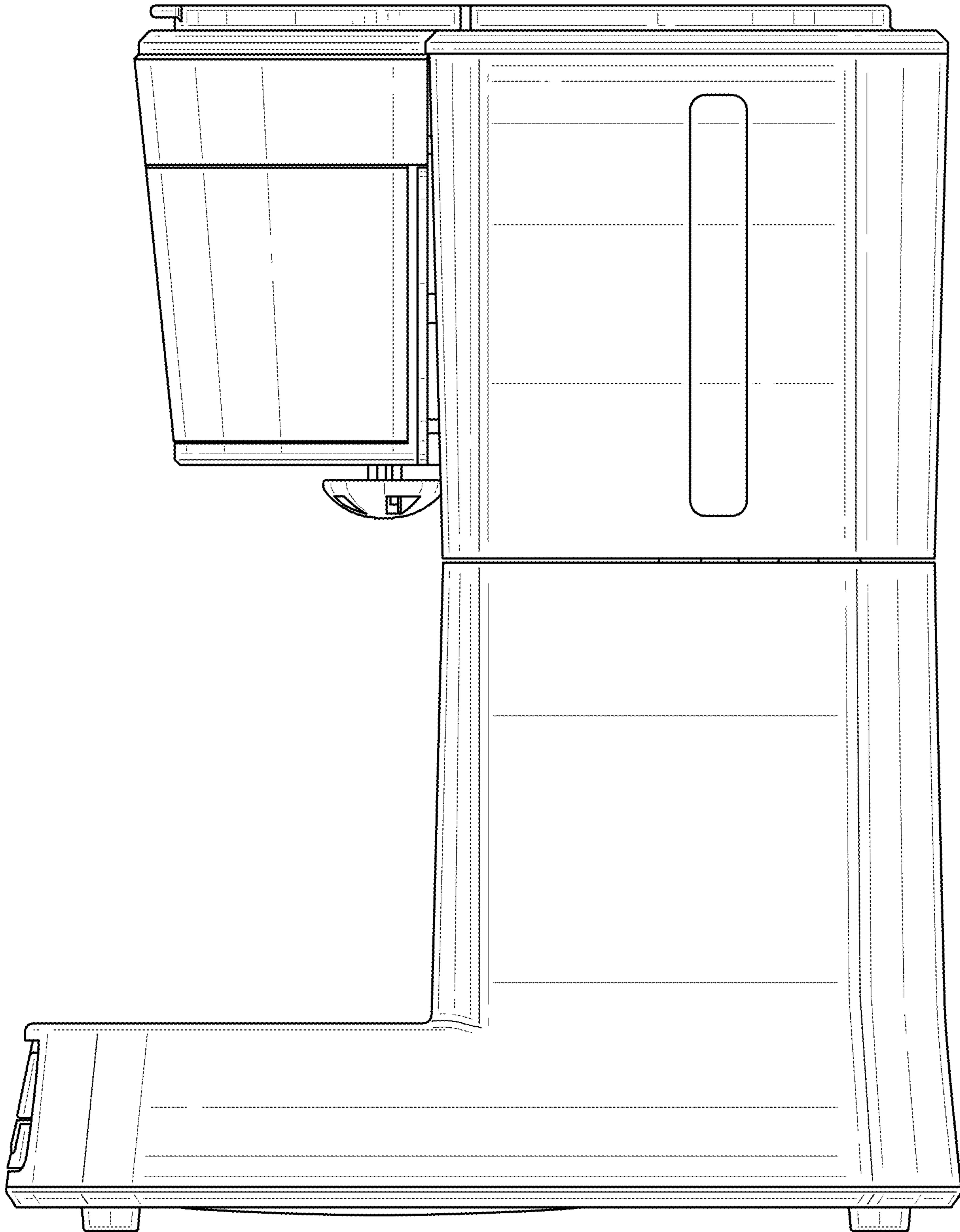


FIG. 4

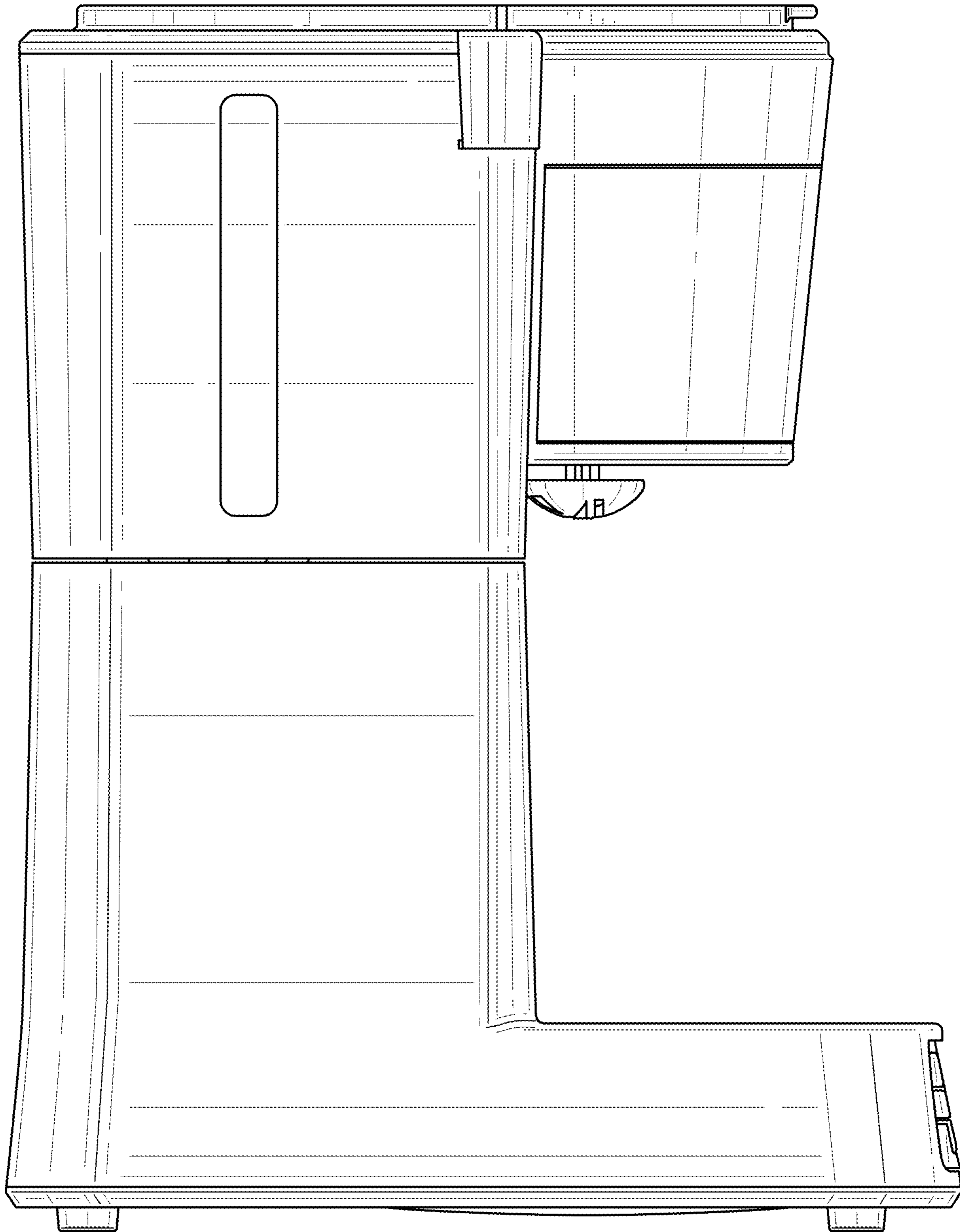


FIG. 5

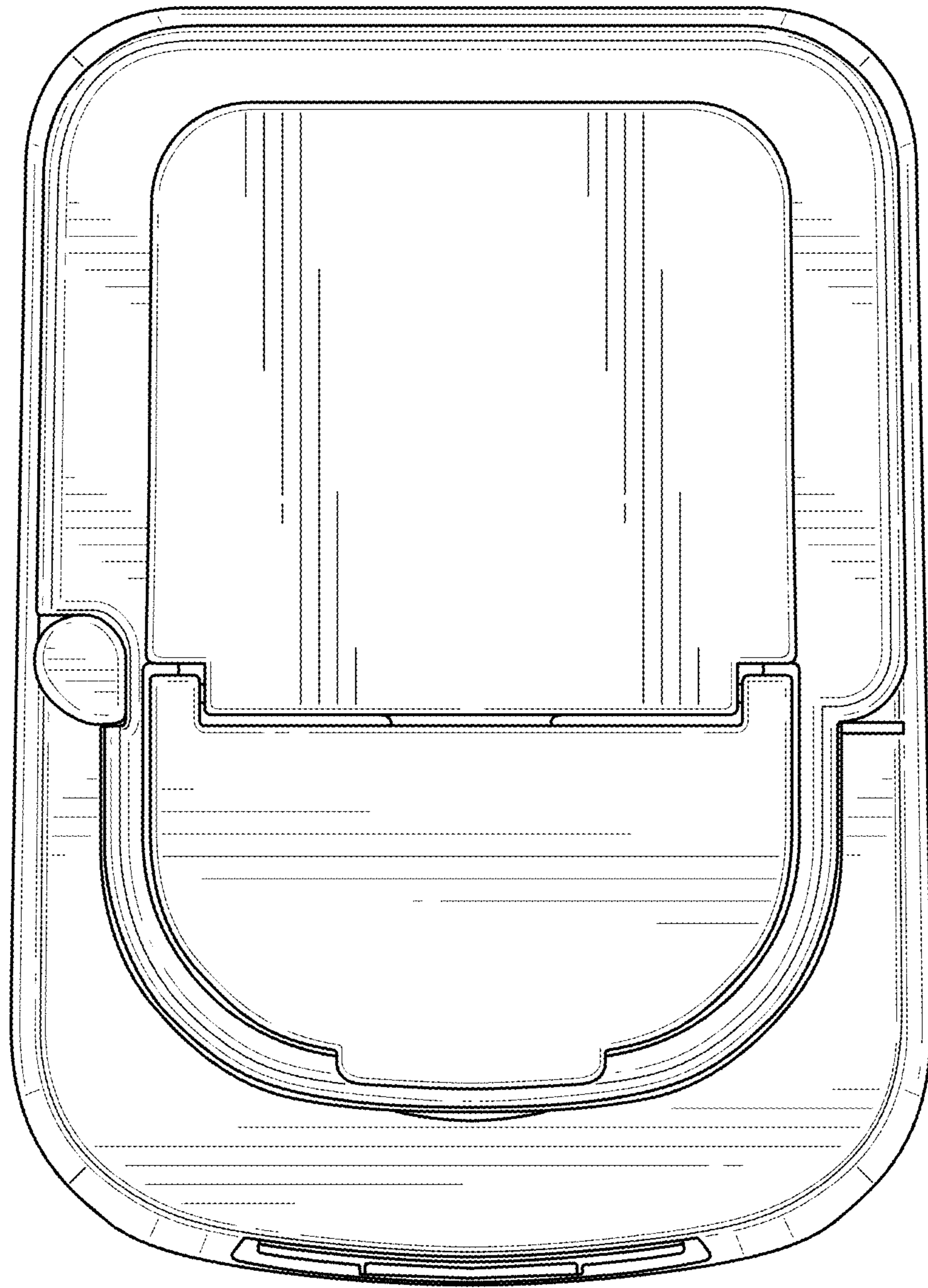


FIG. 6

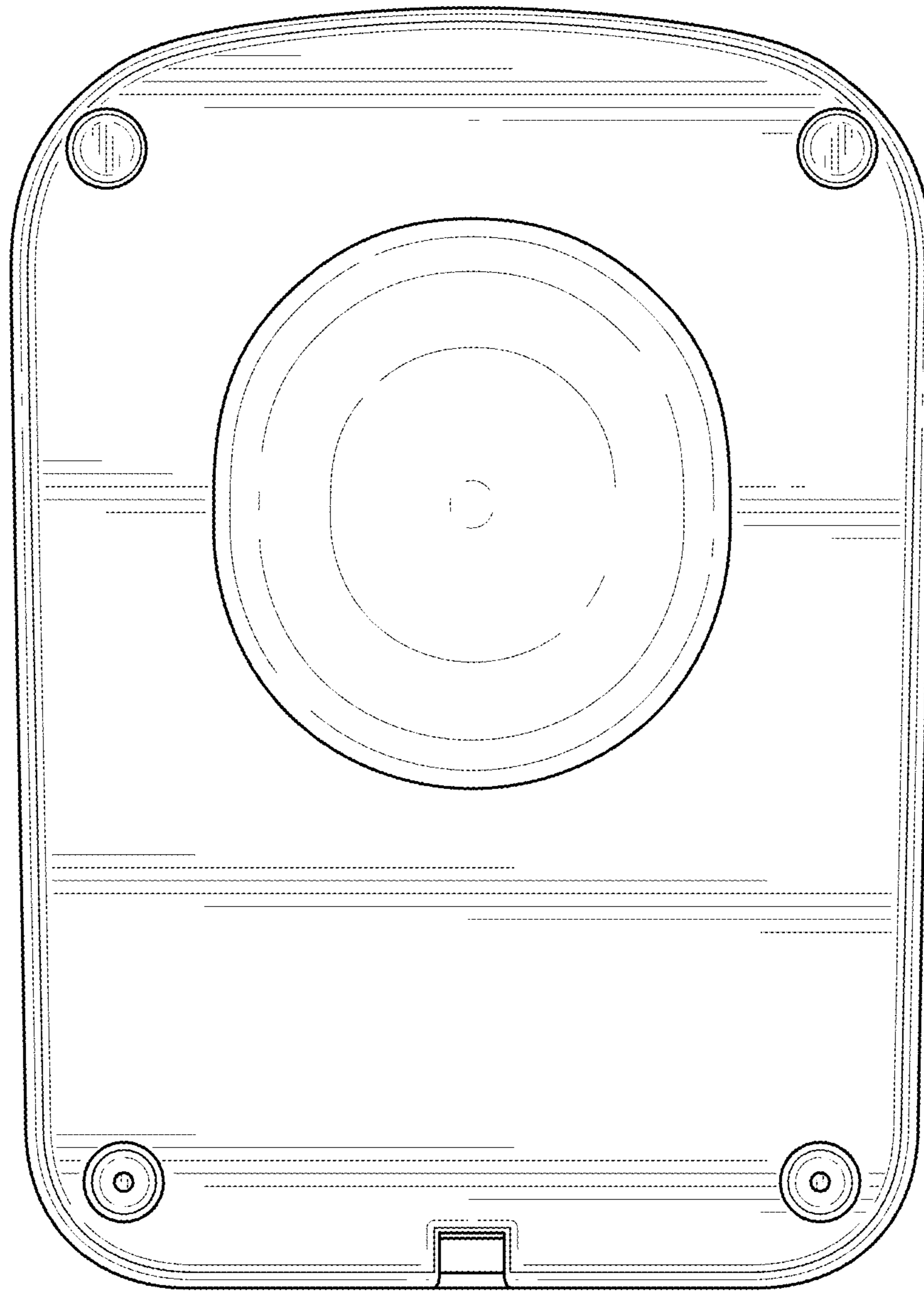


FIG. 7