



US00D885816S

(12) **United States Design Patent**
Stone et al.

(10) **Patent No.:** **US D885,816 S**
(45) **Date of Patent:** **** Jun. 2, 2020**

(54) **BEVERAGE DISPENSER**
(71) Applicant: **Craft Bevco, LLC**, North Las Vegas, NV (US)
(72) Inventors: **Randolph Tyler Stone**, Las Vegas, NV (US); **Turner Lewis**, Richmond, NV (US)
(**) Term: **15 Years**
(21) Appl. No.: **29/637,595**
(22) Filed: **Feb. 20, 2018**
(51) **LOC (12) Cl.** **07-01**
(52) **U.S. Cl.**
USPC **D7/306; D7/313**
(58) **Field of Classification Search**
USPC D7/300, 313, 306, 605, 619.1; D9/424
CPC B67D 1/0057; B67D 1/0406; B67D 1/02; B67D 3/0061
See application file for complete search history.

D415,383 S * 10/1999 Le D7/306
D423,861 S * 5/2000 Graffius D7/305
6,241,126 B1 * 6/2001 Goodman B67D 3/0035
222/185.1
7,328,816 B2 * 2/2008 Shannon B67D 3/0061
220/592.16
D608,600 S * 1/2010 Wood D7/605
D611,753 S * 3/2010 Gammack D7/306
D682,681 S * 5/2013 Oxer D9/424
D745,809 S * 12/2015 Rowley D7/605
D813,585 S * 3/2018 Roberts D7/306
D825,245 S * 8/2018 McConnell D7/313
D827,353 S * 9/2018 Hare D7/313
2007/0072496 A1 * 3/2007 Nishida B67D 1/0004
439/894
2008/0314927 A1 * 12/2008 Martin B67D 3/0003
222/145.1
2014/0150669 A1 * 6/2014 Green et al. B67D 1/0058
99/323.2
2015/0375918 A1 * 12/2015 Holderness B67D 3/0067
222/566

(Continued)

Primary Examiner — Marianne N Pandozzi

(57) **CLAIM**

The ornamental design for a beverage dispenser.

(56) **References Cited**

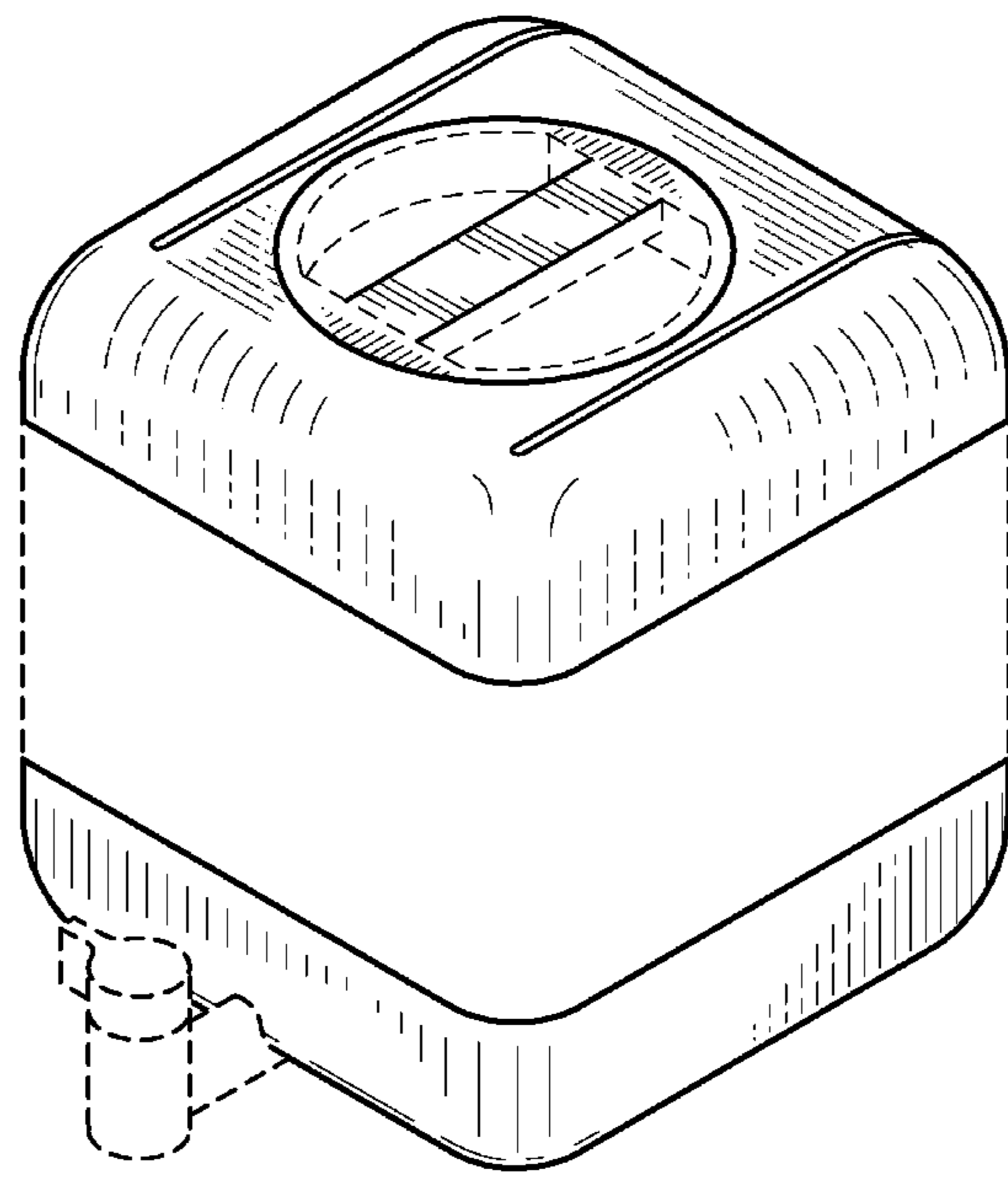
U.S. PATENT DOCUMENTS

2,326,420 A * 8/1943 Vukasinovich A47J 31/50
126/377.1
3,315,850 A * 4/1967 Gran B65D 77/067
222/501
D212,440 S * 10/1968 Cannon D7/313
3,998,143 A * 12/1976 Frye A47J 31/005
99/280
4,264,019 A * 4/1981 Roberts B67D 1/0412
222/105
D269,680 S * 7/1983 Prandelli D7/308
4,913,318 A * 4/1990 Forrester B67D 1/02
222/129
D340,832 S * 11/1993 Macchi D7/300
D341,986 S * 12/1993 Futscher D7/300
D392,837 S * 3/1998 Lee D7/306

DESCRIPTION

FIG. 1 is a front perspective view of a beverage dispenser showing our new design;
FIG. 2 is a rear perspective view thereof;
FIG. 3 is a top plan view thereof;
FIG. 4 is a bottom plan view thereof;
FIG. 5 is a right side view thereof;
FIG. 6 is a left side view thereof;
FIG. 7 is a front view thereof; and,
FIG. 8 is a rear view thereof.
The broken lines in the drawing depict environmental subject matter only and form no part of the claimed design.

1 Claim, 8 Drawing Sheets



(56)

References Cited

U.S. PATENT DOCUMENTS

2016/0292663 A1* 10/2016 Sagan G06Q 20/227
2019/0127205 A1* 5/2019 Donaghy B67D 3/0096
2019/0256337 A1* 8/2019 Bhutani B67D 1/0057

* cited by examiner

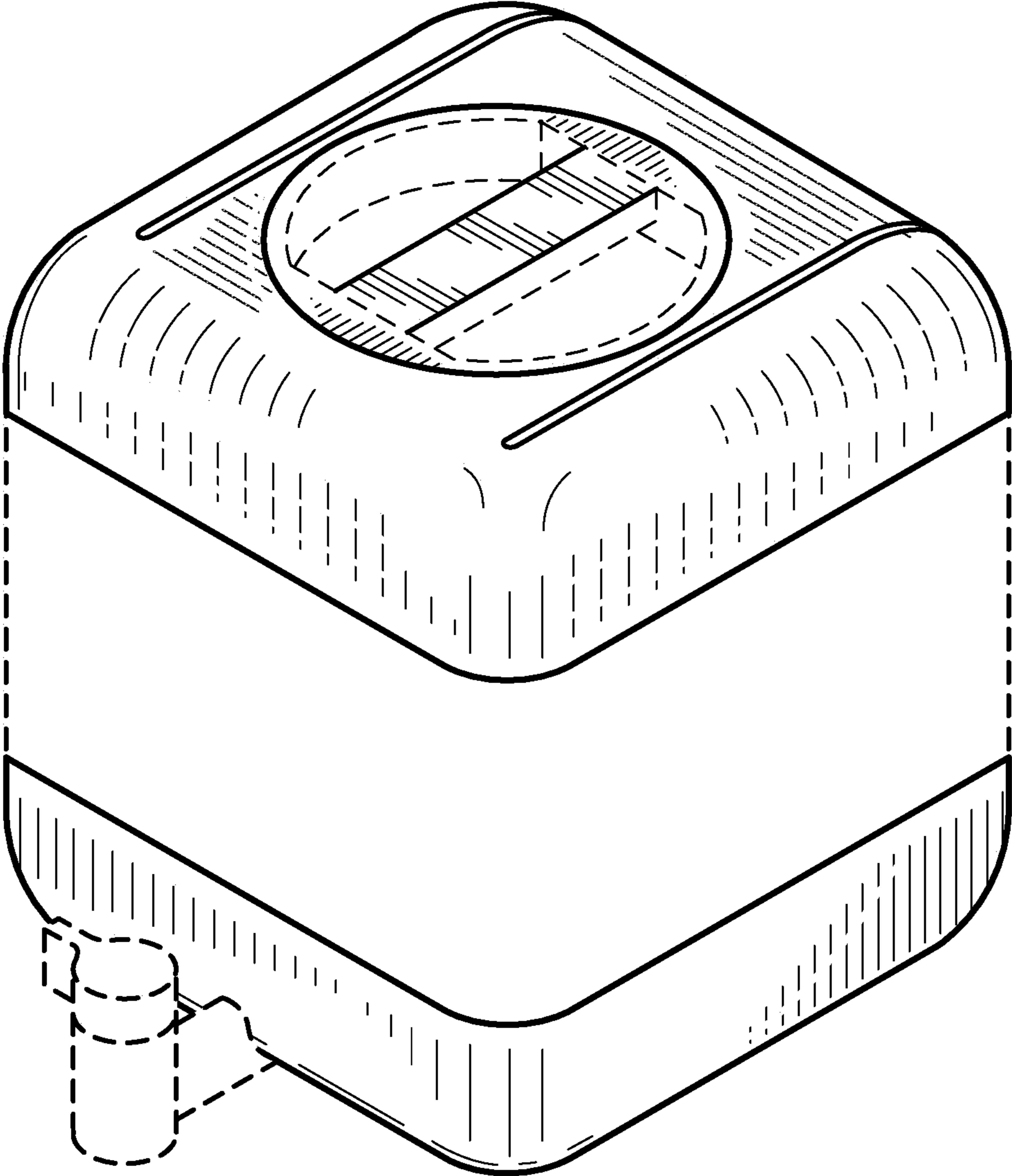


FIG. 1

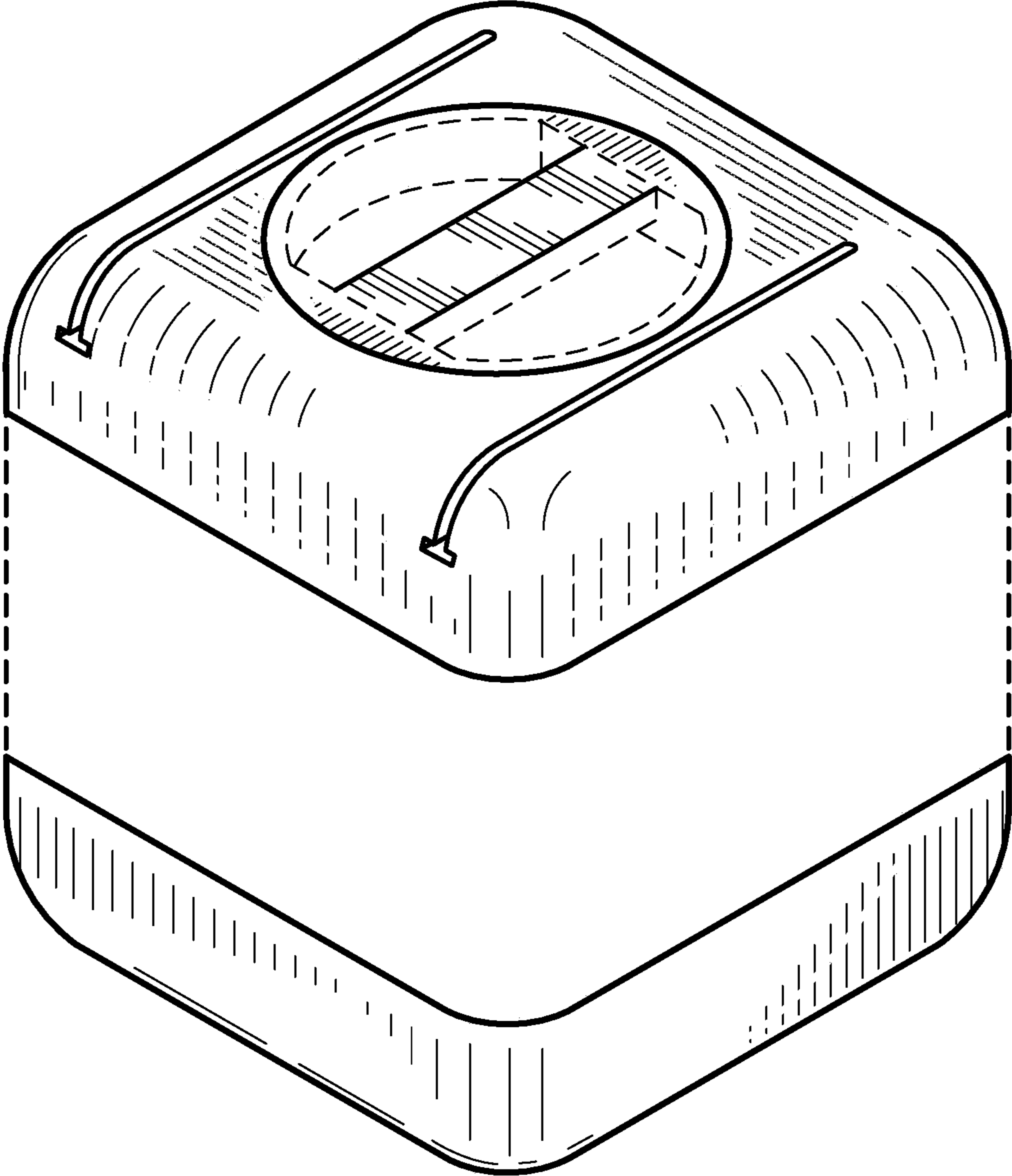


FIG. 2

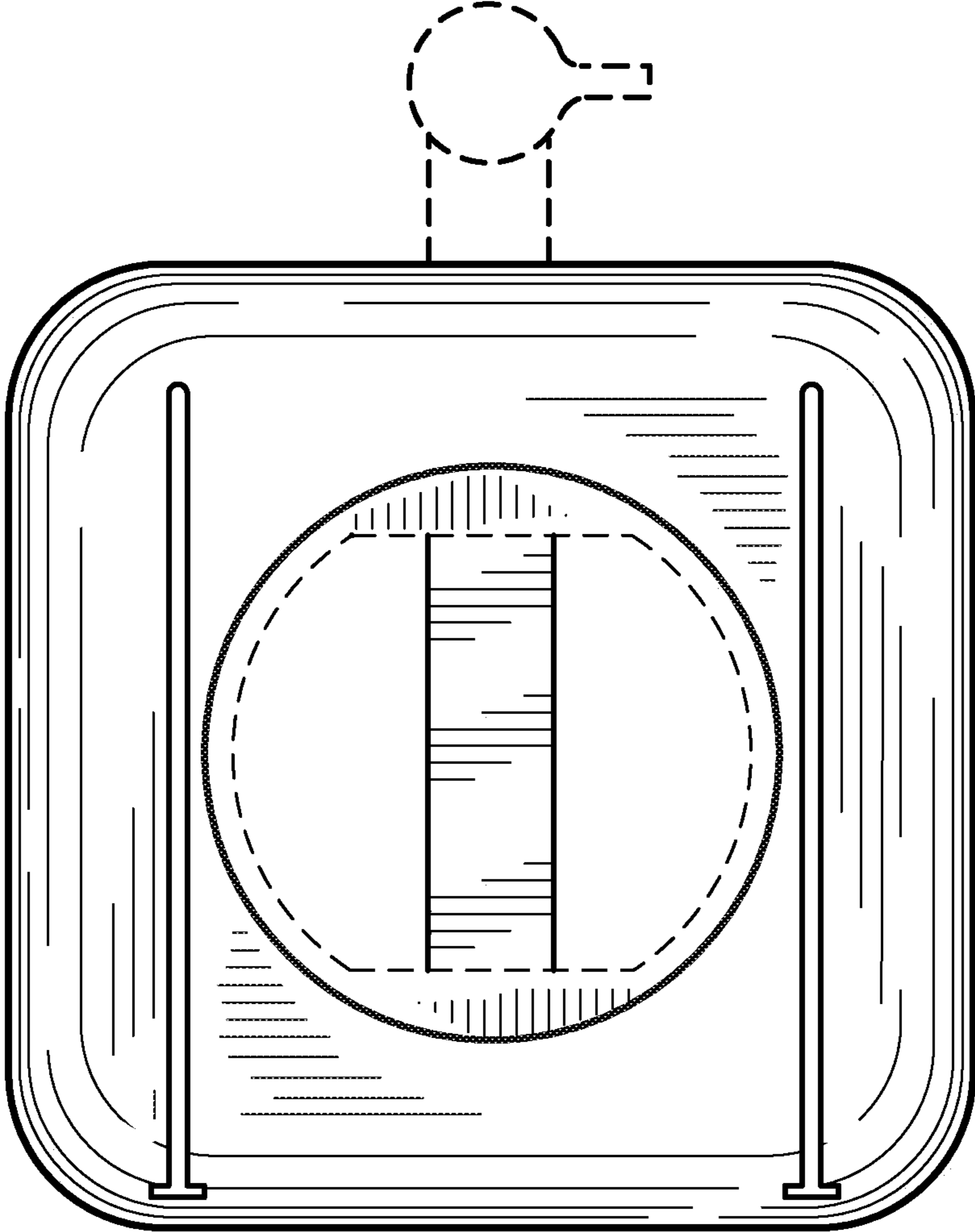


FIG. 3

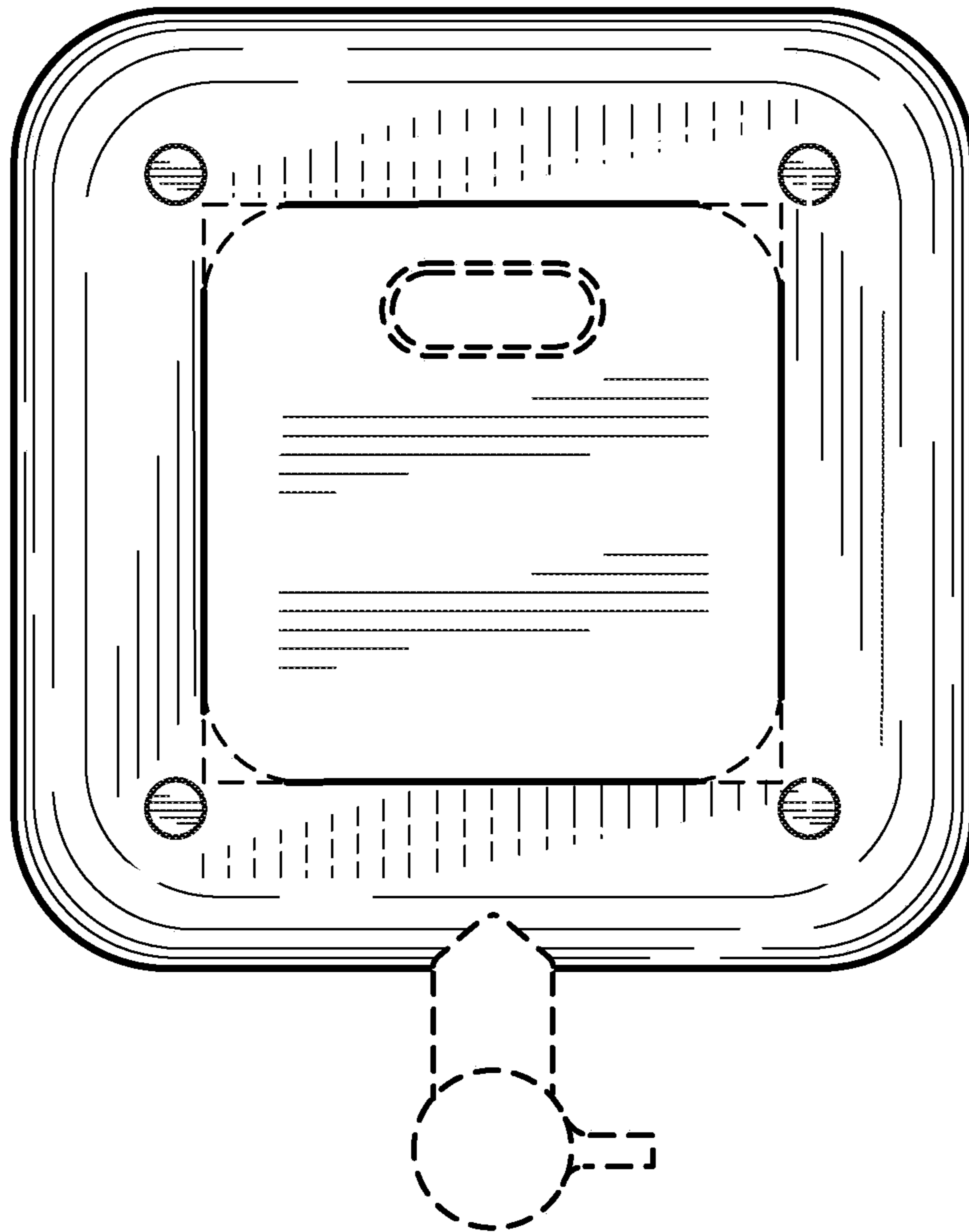


FIG. 4

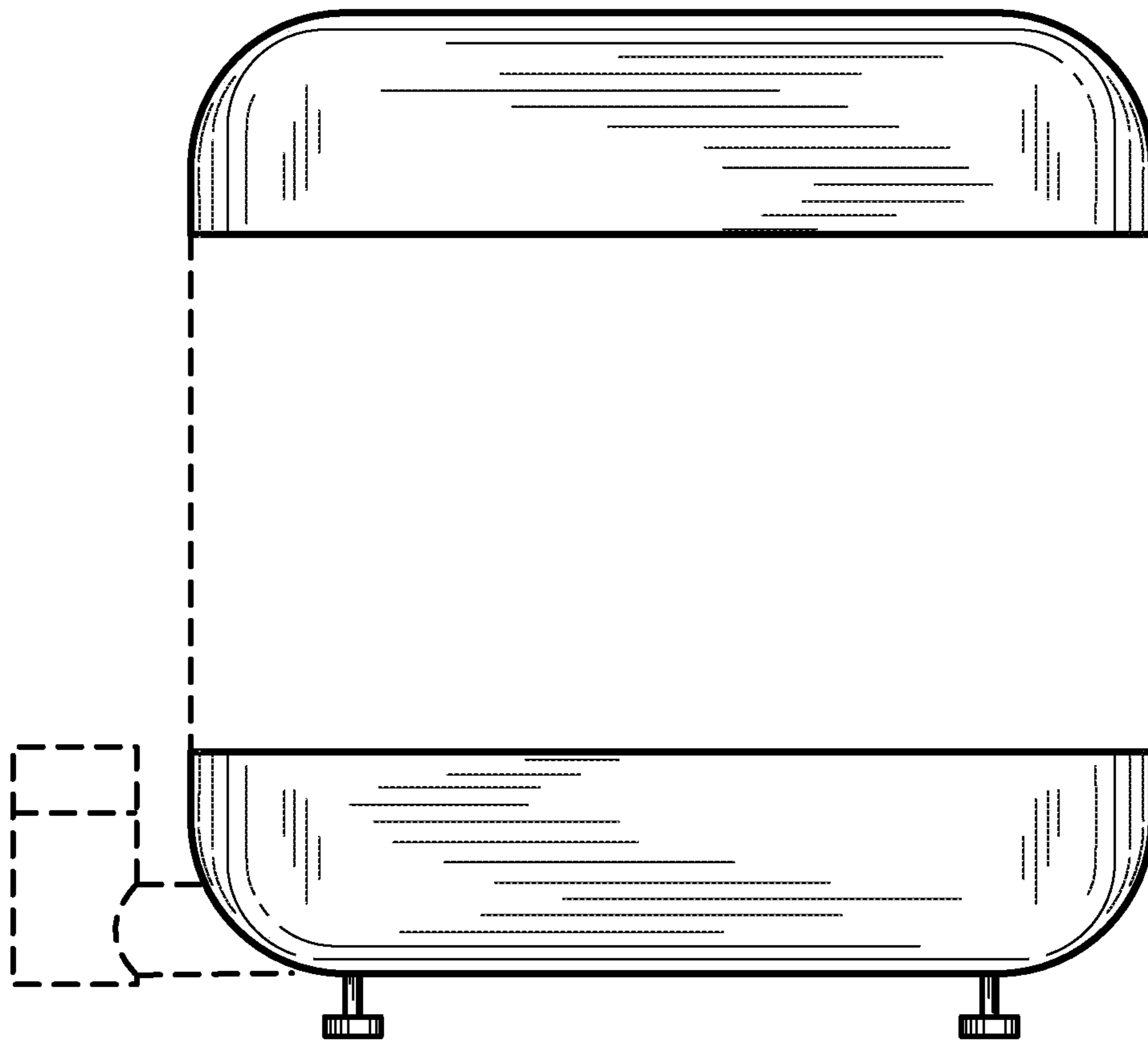


FIG. 5

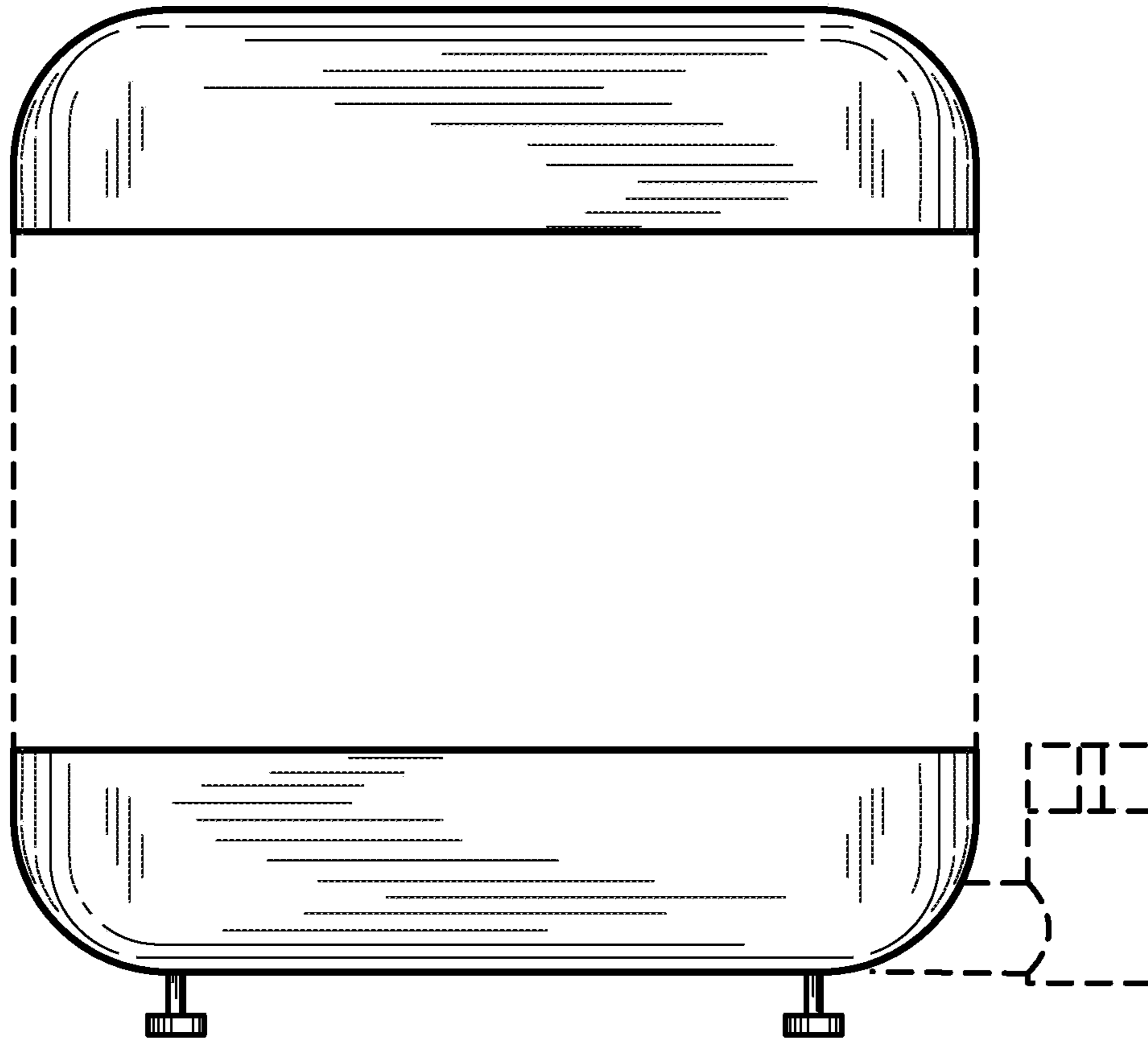


FIG. 6

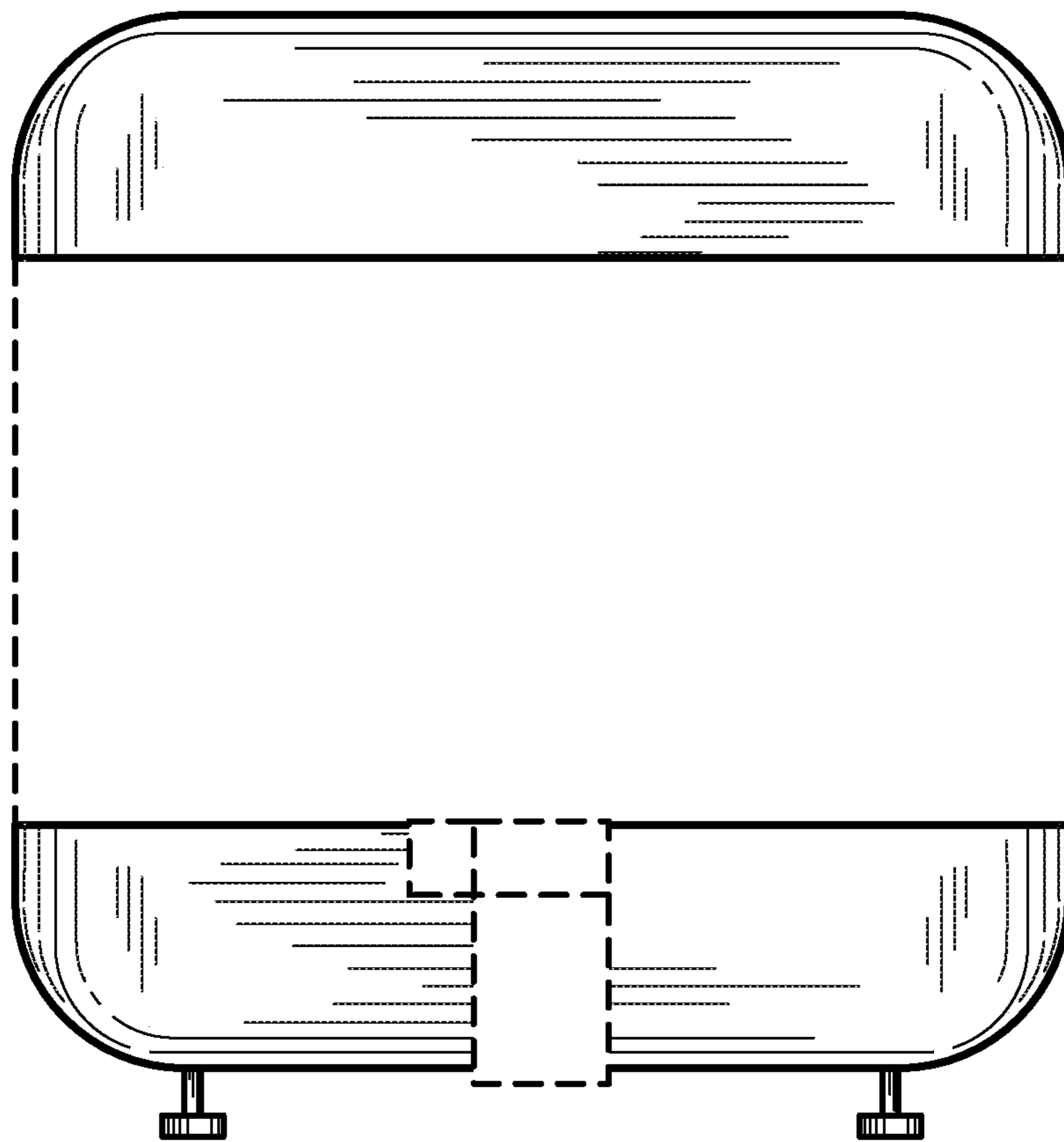


FIG. 7

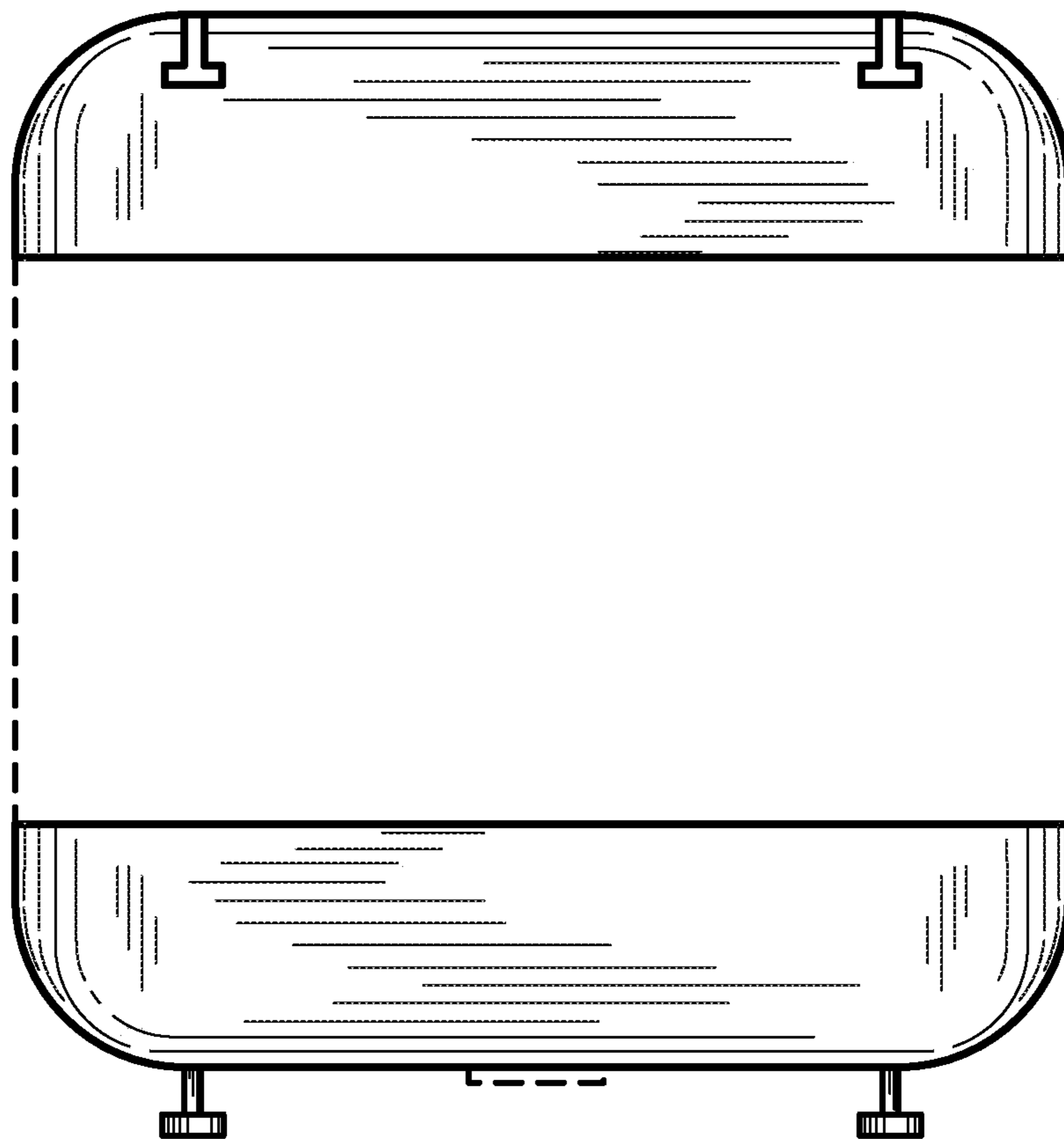


FIG. 8