



US00D885815S

(12) **United States Design Patent** (10) **Patent No.:** **US D885,815 S**
Sardo (45) **Date of Patent:** **** Jun. 2, 2020**

(54) **VEHICLE SEATING INSERT ASSEMBLY**
(71) Applicant: **Louis Sardo**, La Canada, CA (US)
(72) Inventor: **Louis Sardo**, La Canada, CA (US)
(**) Term: **15 Years**
(21) Appl. No.: **29/653,183**
(22) Filed: **Jun. 13, 2018**
(51) **LOC (12) Cl.** **06-01**
(52) **U.S. Cl.**
USPC **D6/716; D6/356**
(58) **Field of Classification Search**
USPC D6/334-336, 356, 364, 365, 366, 367,
D6/374, 375, 601, 716, 716.1, 716.2,
D6/716.3, 716.4
CPC B60N 2/20; B60N 2/2222; B60N 2/64;
B60N 2/643; B60N 2/58; B60N 2/646;
B60N 2/68; B60N 2/682; B60N 2/686
See application file for complete search history.

5,405,179 A 4/1995 Jih
5,407,247 A 4/1995 Forcier et al.
5,487,587 A 1/1996 Hylton
5,503,454 A 4/1996 Sakamoto
5,704,691 A 1/1998 Olson
5,826,939 A 10/1998 Beyer
6,135,562 A 10/2000 Infanti
D485,445 S * 1/2004 De Maina D6/356
D485,446 S * 1/2004 Stulik D6/356
6,736,454 B1 5/2004 Sardo
6,942,299 B1 9/2005 Sardo
D521,756 S * 5/2006 Moffa D6/356
D663,975 S * 7/2012 Kubryk D6/716
D697,746 S * 1/2014 Kubryk D6/716
D843,151 S * 3/2019 Doolan D6/716

(Continued)

Primary Examiner — Mimosa De
(74) *Attorney, Agent, or Firm* — Goldstein Law Offices,
P.C.

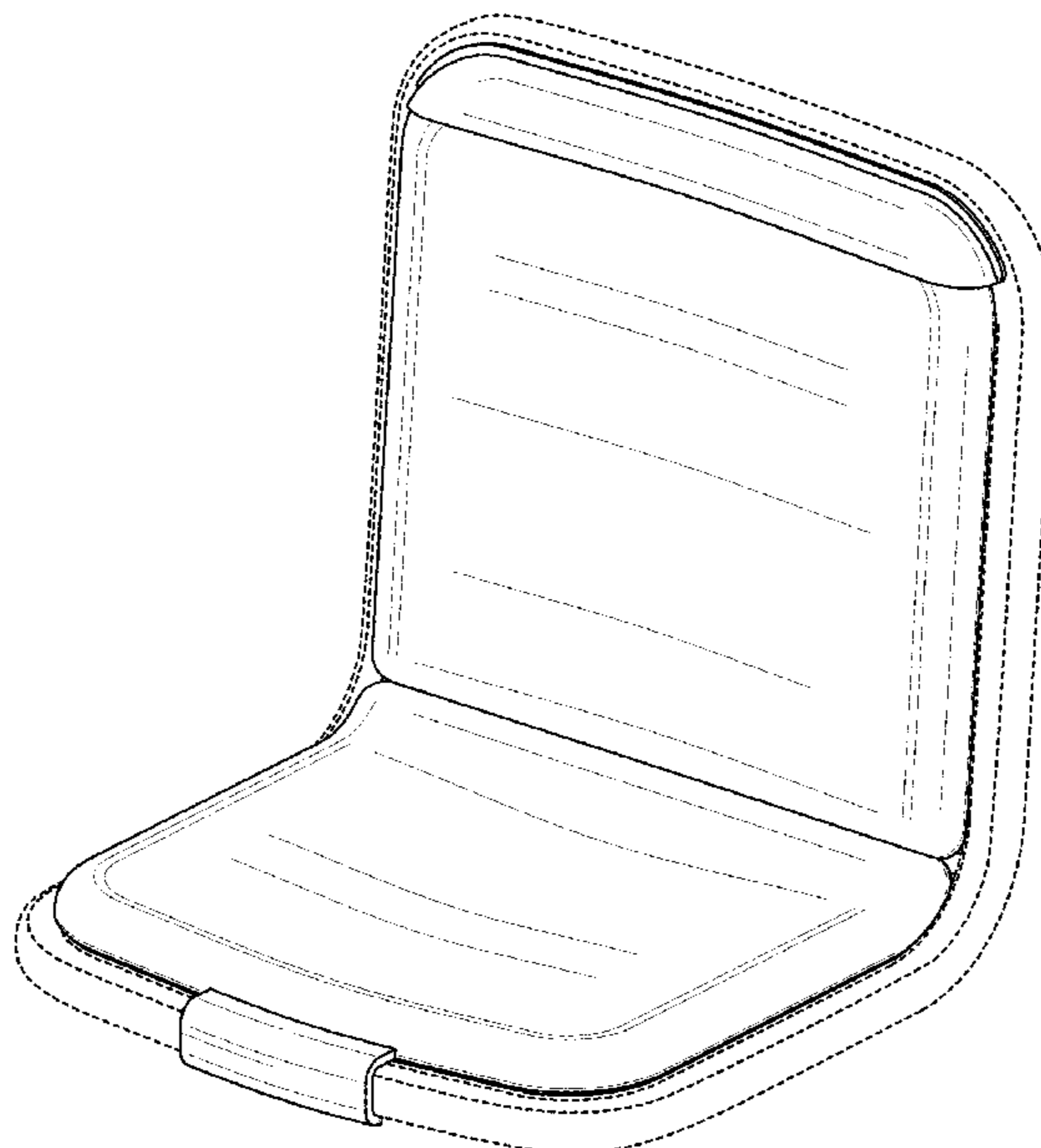
(57) **CLAIM**
The ornamental design for a vehicle seating insert assembly,
as shown and described.

DESCRIPTION

FIG. 1 is a perspective view of the vehicle seating insert assembly in full lines.
FIG. 2 is a front elevational view of the vehicle seating insert assembly.
FIG. 3 is a rear elevational view thereof.
FIG. 4 is a left side elevational view thereof.
FIG. 5 is a right side elevational view thereof.
FIG. 6 is a top plan view thereof.
FIG. 7 is a bottom plan view thereof; and,
FIG. 8 is a perspective view of the vehicle seating insert assembly shown with environment.
The broken lines showing in FIG. 8 are for the purpose of illustrating the environment of the article only and form no part of the claimed design.

(56) **References Cited**
U.S. PATENT DOCUMENTS
2,931,427 A * 4/1960 Goldstein B60N 2/686
297/452.43
3,111,689 A 11/1963 Mulhauser, Jr.
3,198,578 A 8/1965 Geoffrey et al.
3,556,594 A 1/1971 Anderson
3,685,063 A 8/1972 Morgan
3,797,887 A 3/1974 Barecki et al.
3,801,154 A 4/1974 Hultquist et al.
3,873,155 A 3/1975 Barecki
4,527,832 A 7/1985 McMains et al.
4,583,782 A 4/1986 Mikuniya
4,607,887 A 8/1986 Vail
4,917,931 A 4/1990 McDowell et al.
4,955,095 A 9/1990 Gerrick
5,061,539 A 10/1991 McDowell et al.
5,403,066 A 4/1995 Drum

1 Claim, 5 Drawing Sheets



(56)

References Cited

U.S. PATENT DOCUMENTS

D843,152 S * 3/2019 Doolan D6/716
D846,930 S * 4/2019 Patton D6/716

* cited by examiner

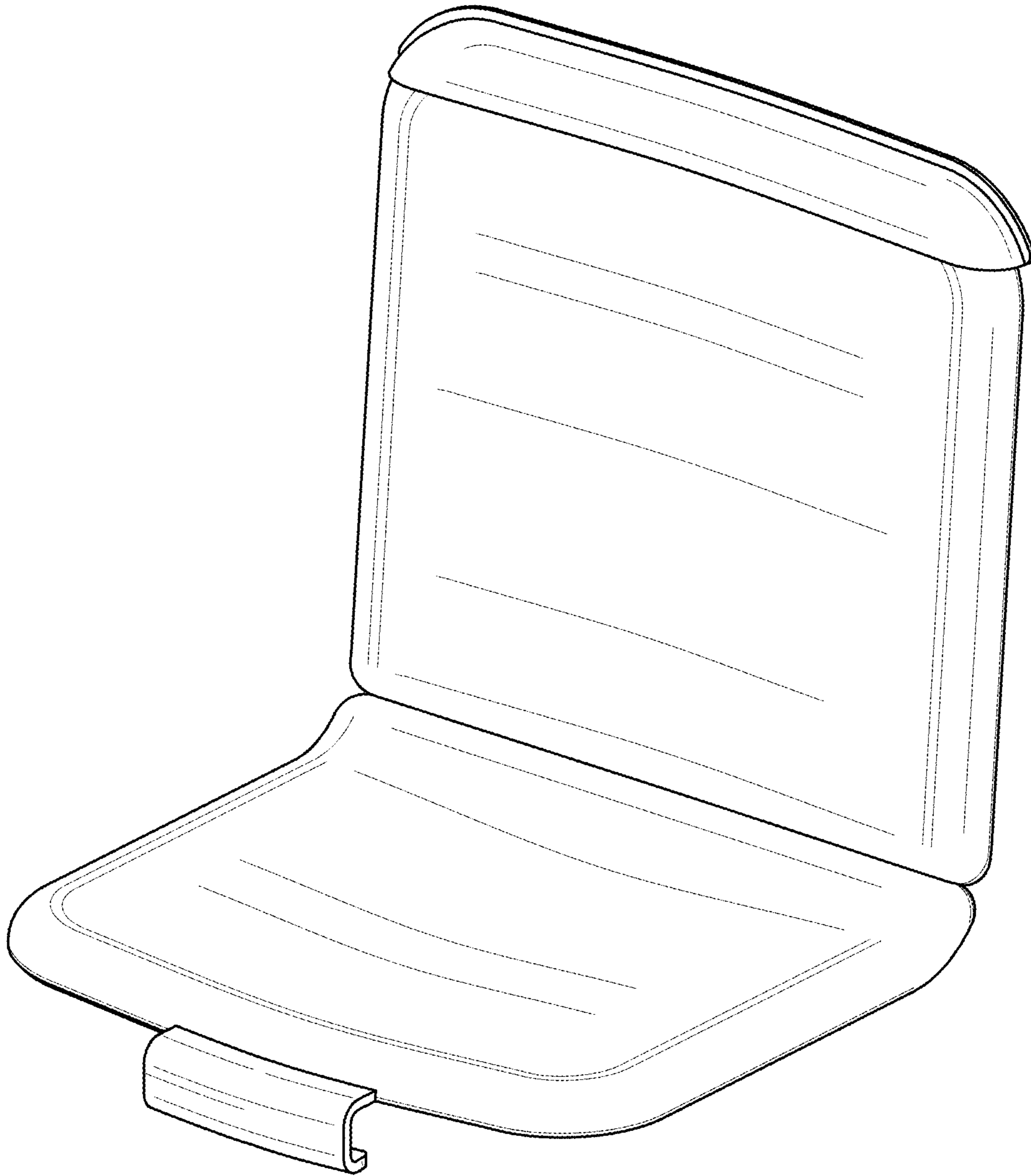


FIG. 1

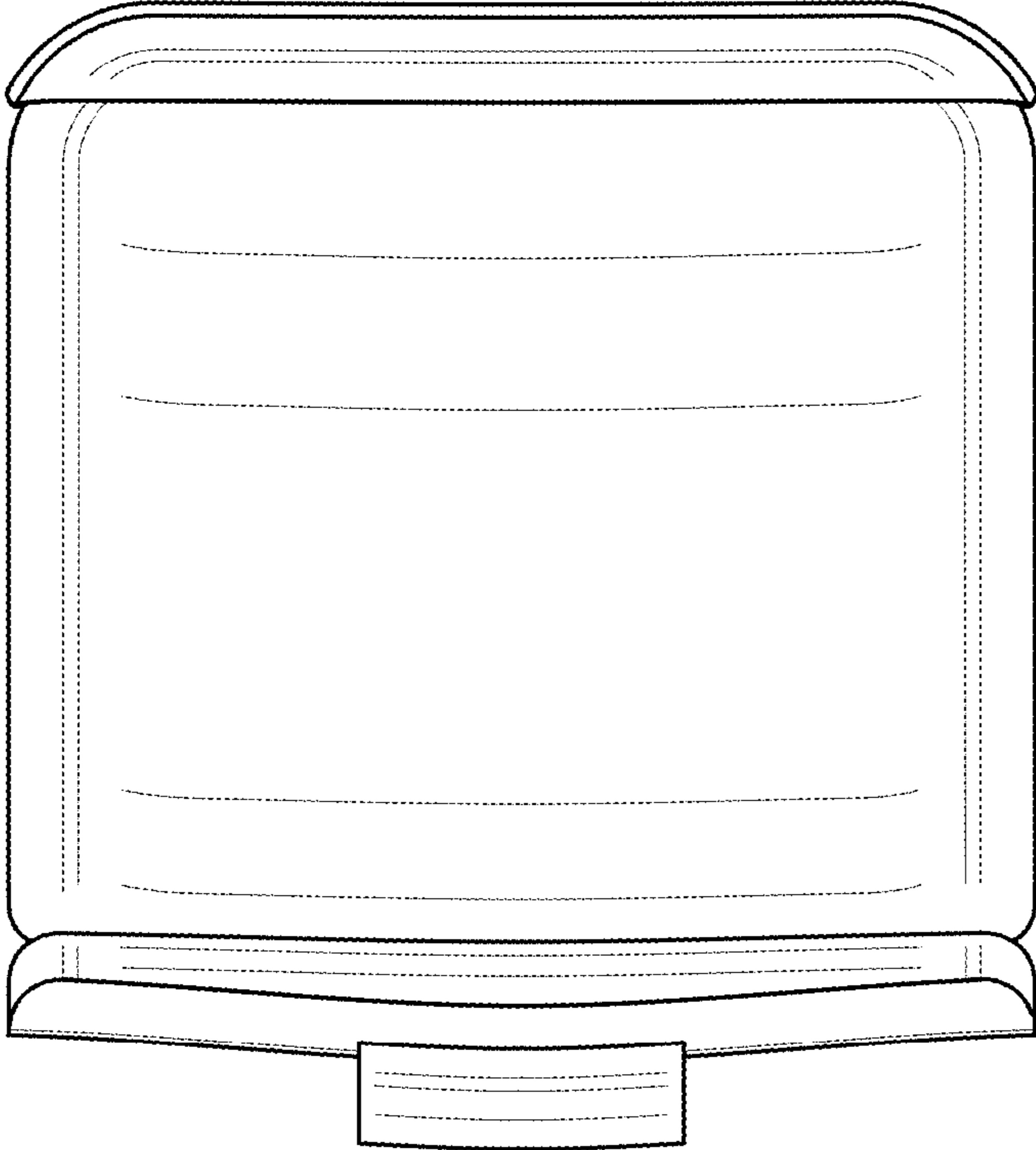


FIG. 2

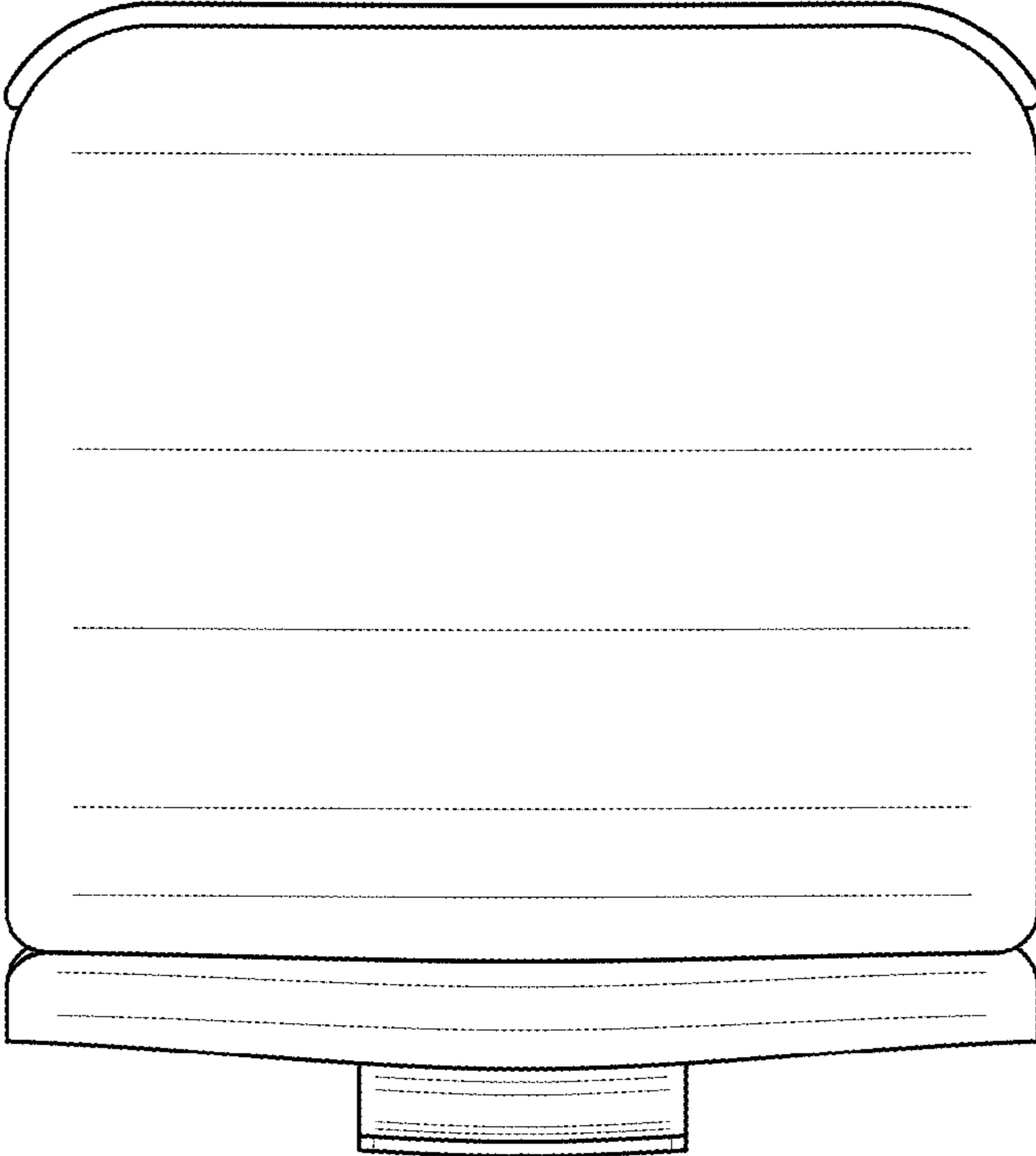


FIG. 3

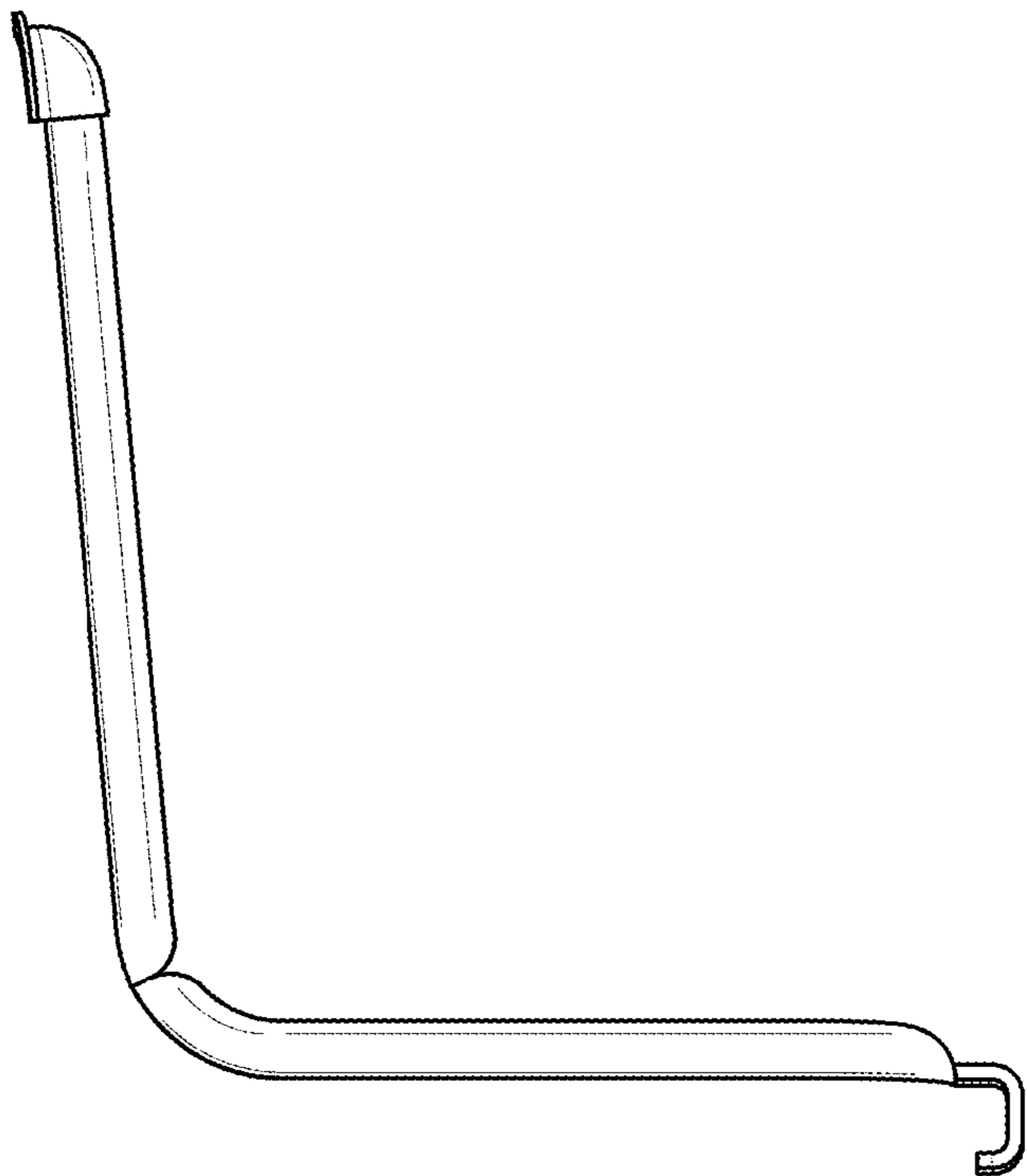


FIG. 4

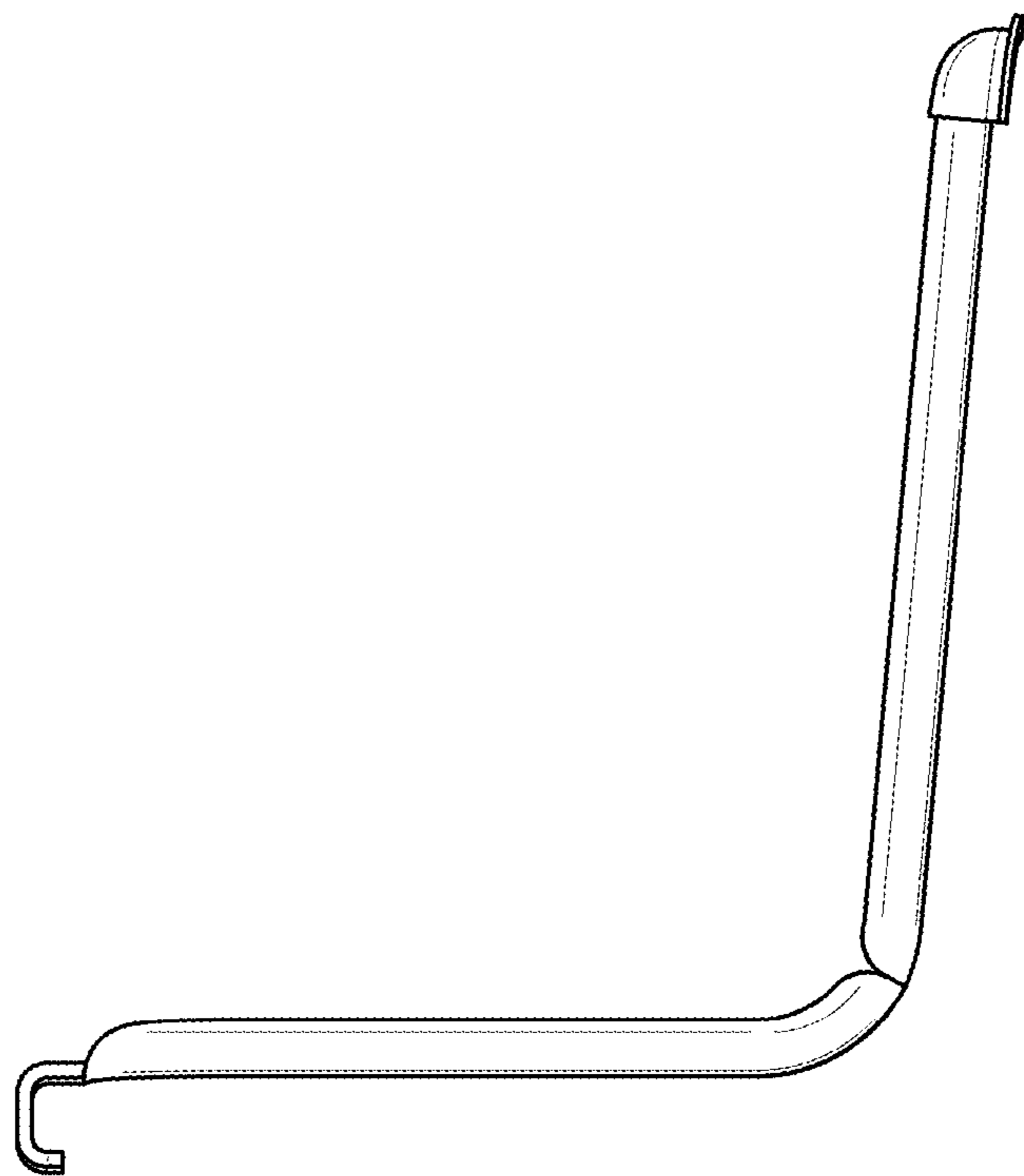


FIG. 5

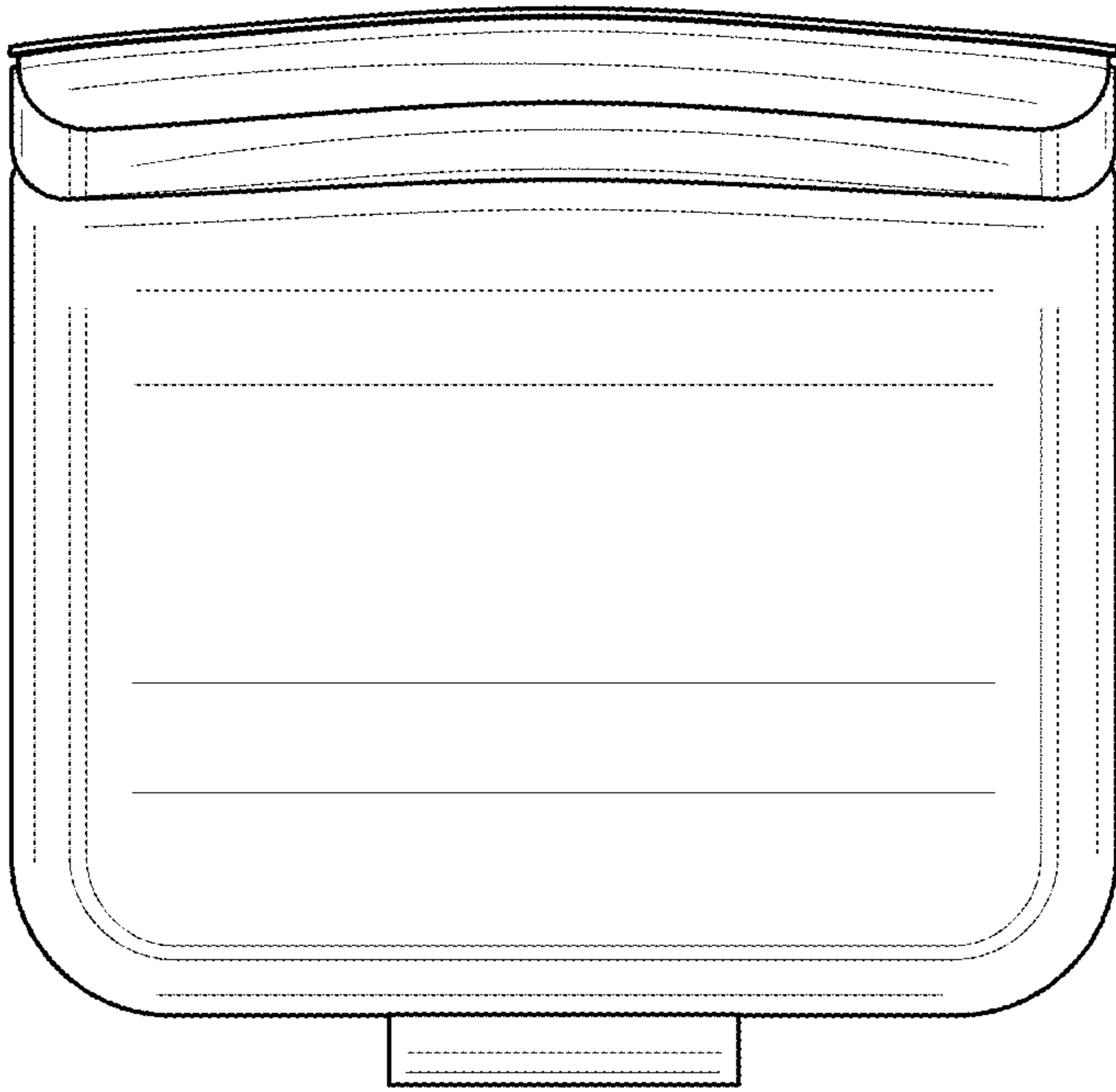


FIG. 6

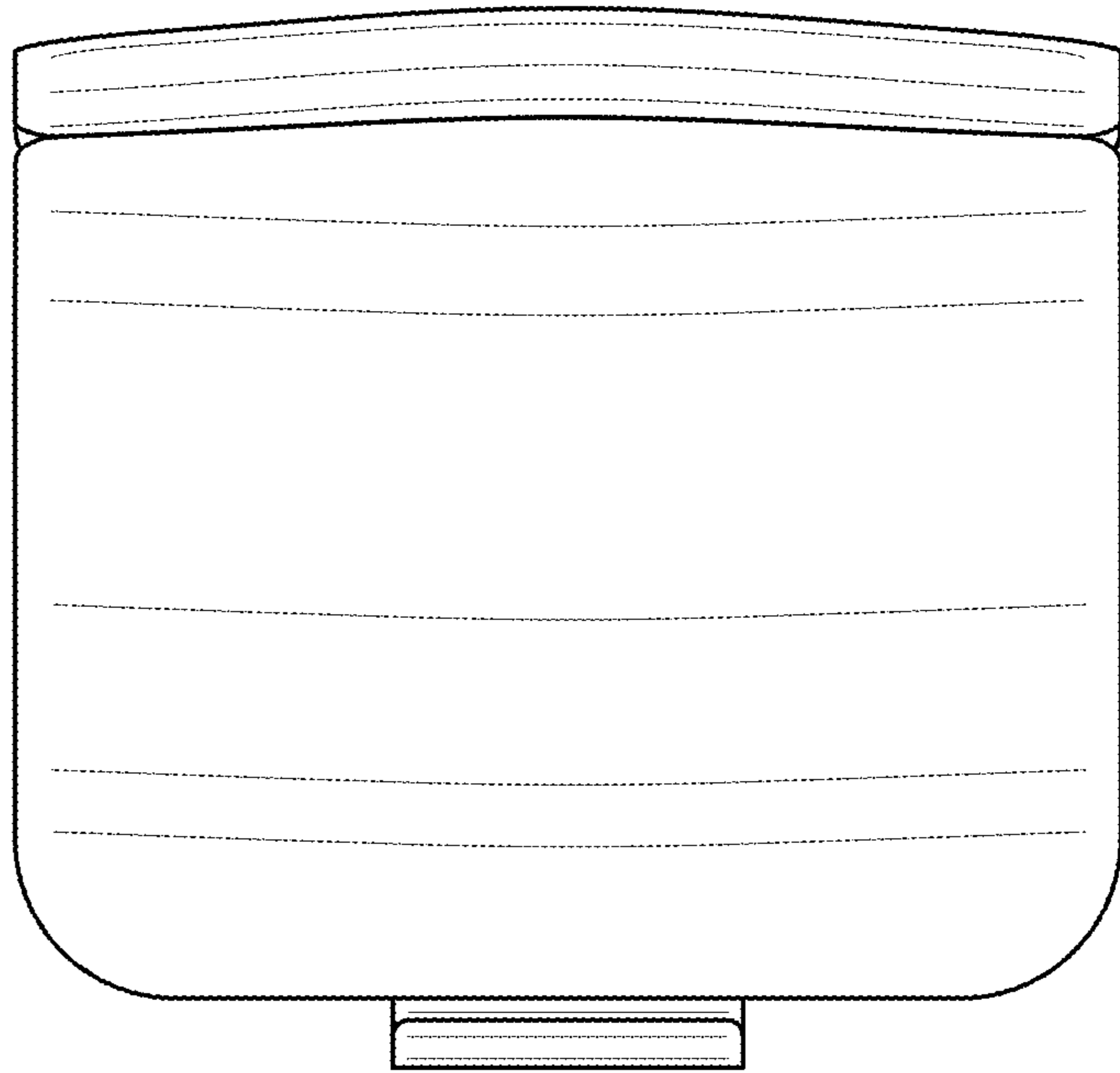


FIG. 7

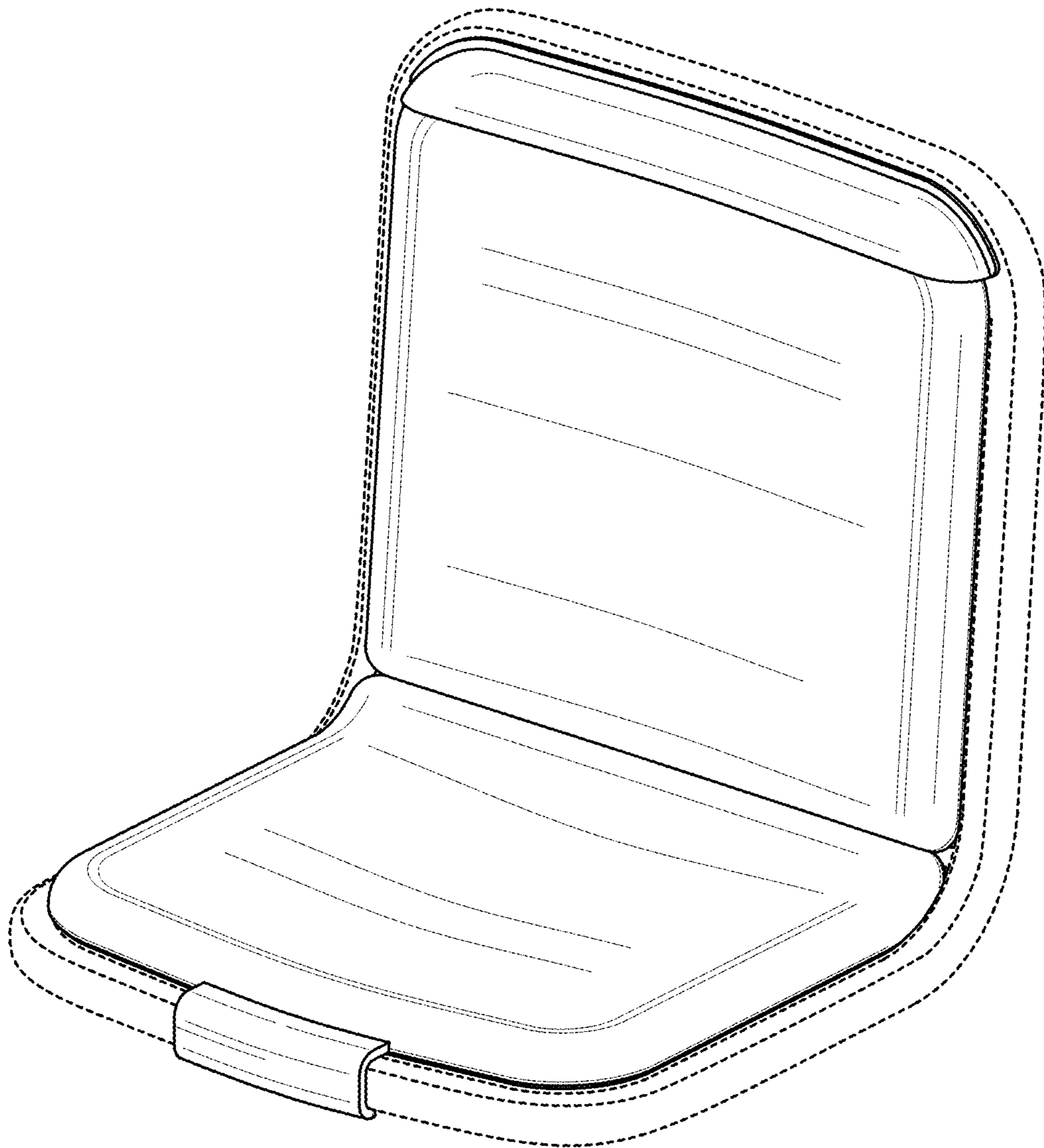


FIG. 8