



US00D885813S

(12) **United States Design Patent**
Snell

(10) **Patent No.:** **US D885,813 S**

(45) **Date of Patent:** **** Jun. 2, 2020**

- (54) **DIVIDER**
- (71) Applicant: **InterDesign, Inc.**, Solon, OH (US)
- (72) Inventor: **Russell Benton Snell**, Bentleyville, OH (US)
- (73) Assignee: **InterDesign, Inc.**, Solon, OH (US)
- (**) Term: **15 Years**
- (21) Appl. No.: **29/584,277**
- (22) Filed: **Nov. 14, 2016**

D664,794 S *	8/2012	Leveto	D6/706
D702,068 S *	4/2014	Mitten	D6/706
D723,842 S *	3/2015	Walker	D6/672
D745,796 S *	12/2015	Zeidner	D6/706
D748,167 S *	1/2016	Lee	F25D 25/025 D15/89
D760,519 S *	7/2016	Le	D6/706
9,549,623 B1 *	1/2017	Snell	A47B 88/975
D779,865 S *	2/2017	Bram	D6/706
D808,206 S *	1/2018	Zeidner	D6/706
D831,394 S *	10/2018	Brooks	D6/706
D839,647 S *	2/2019	Hernandez	D6/706
D843,149 S *	3/2019	Nilsson	D6/706
10,219,623 B1 *	3/2019	Dibdin	A47B 88/975
D845,688 S *	4/2019	Dibdin	D6/706
2003/0137227 A1 *	7/2003	Hoenig	A47B 88/994 312/348.3

Related U.S. Application Data

- (63) Continuation of application No. 29/496,385, filed on Jul. 11, 2014, now Pat. No. Des. 772,575.
- (51) **LOC (12) Cl.** **06-06**
- (52) **U.S. Cl.**
USPC **D6/706**
- (58) **Field of Classification Search**
USPC D6/706; D3/318, 319
CPC A47B 88/00; A47B 88/40; A47B 88/90;
A47B 65/15; A47B 88/975; A47B 88/20;
A47F 5/005; A47F 5/0068; A47F 3/06
See application file for complete search history.

* cited by examiner

Primary Examiner — Steven J Czyz

(74) *Attorney, Agent, or Firm* — Calfee, Halter & Griswold LLP

(56) **References Cited**

U.S. PATENT DOCUMENTS

D472,331 S *	3/2003	Zadak	D25/48.5
D473,080 S *	4/2003	Kellogg	D6/706
D507,915 S *	8/2005	Nagel	D6/706
D596,431 S *	7/2009	Berger	D6/706

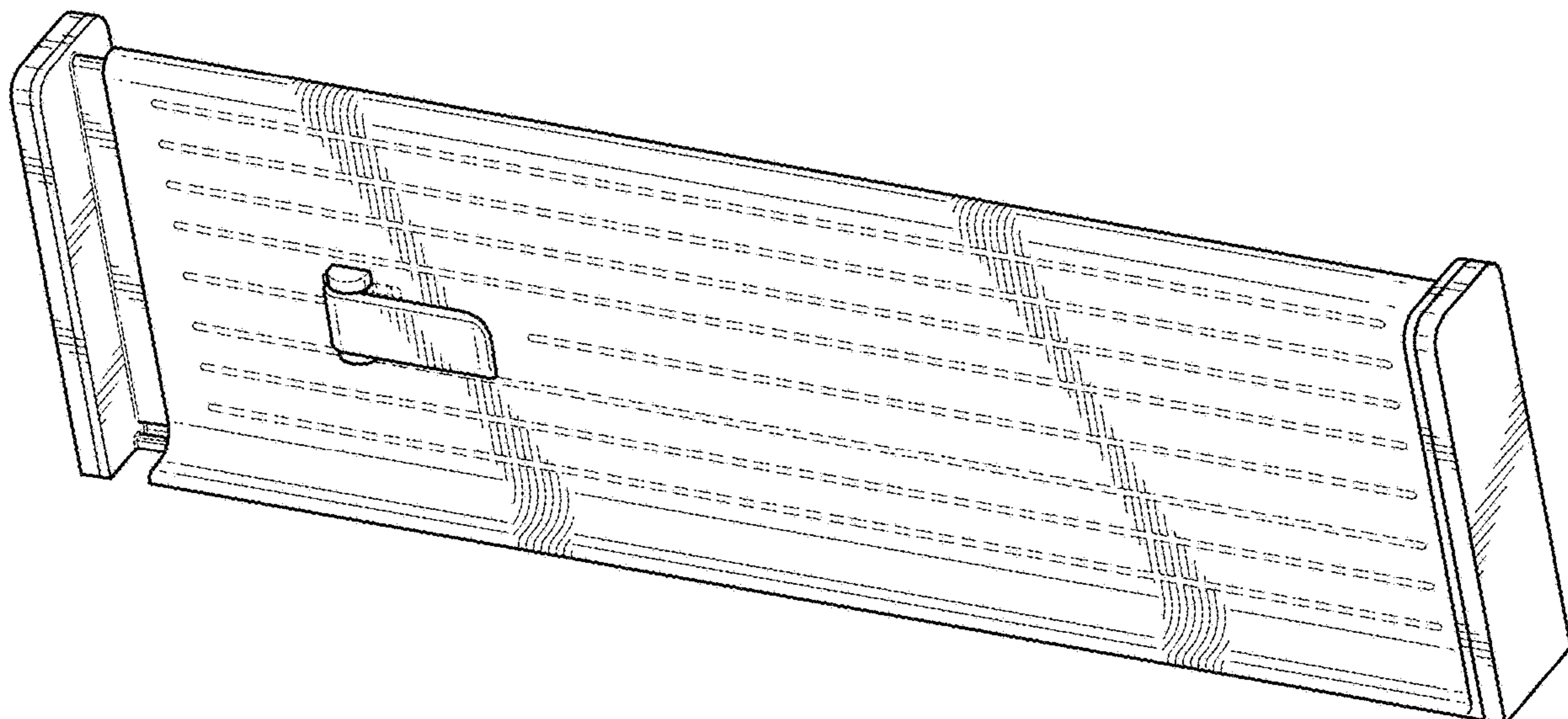
(57) **CLAIM**

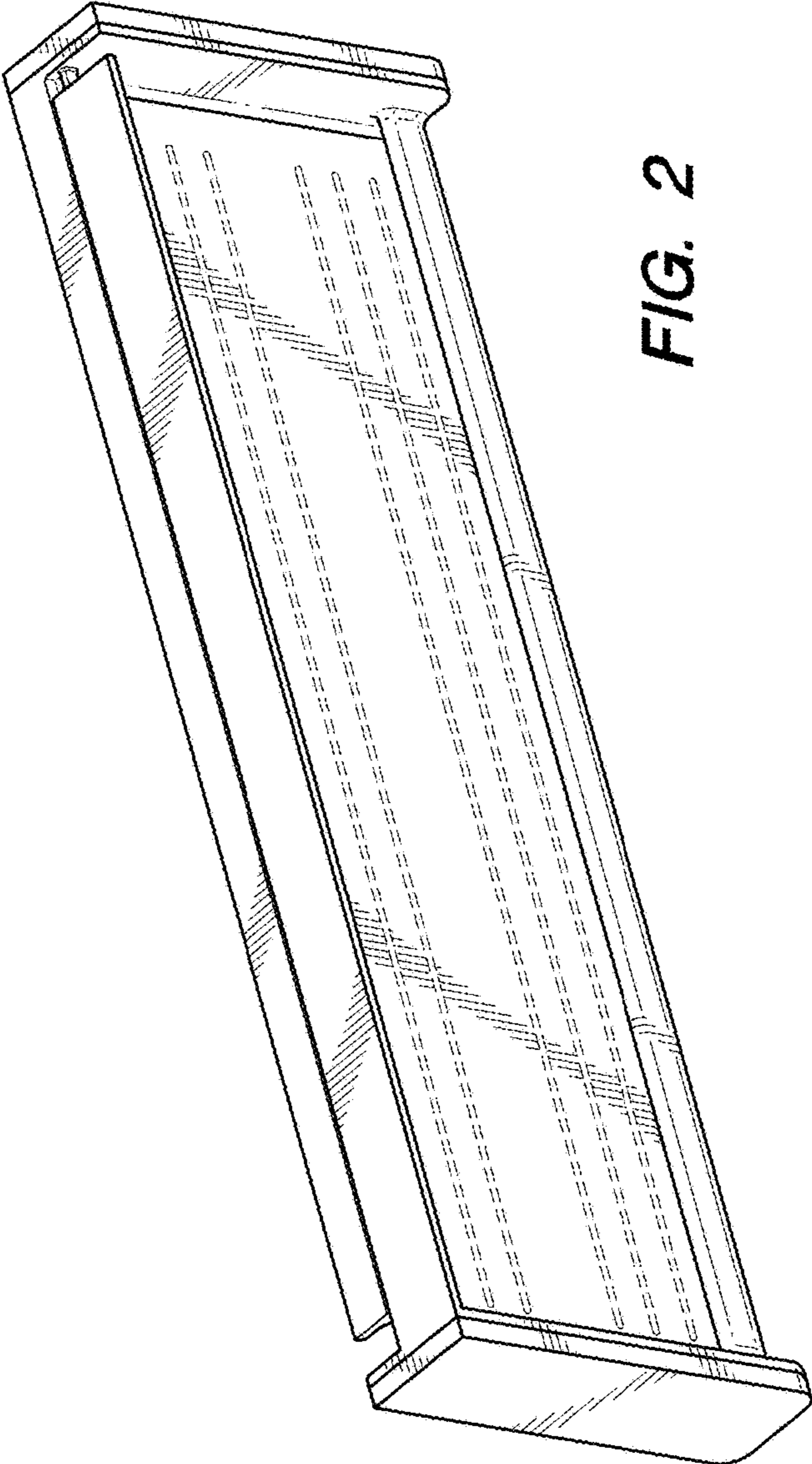
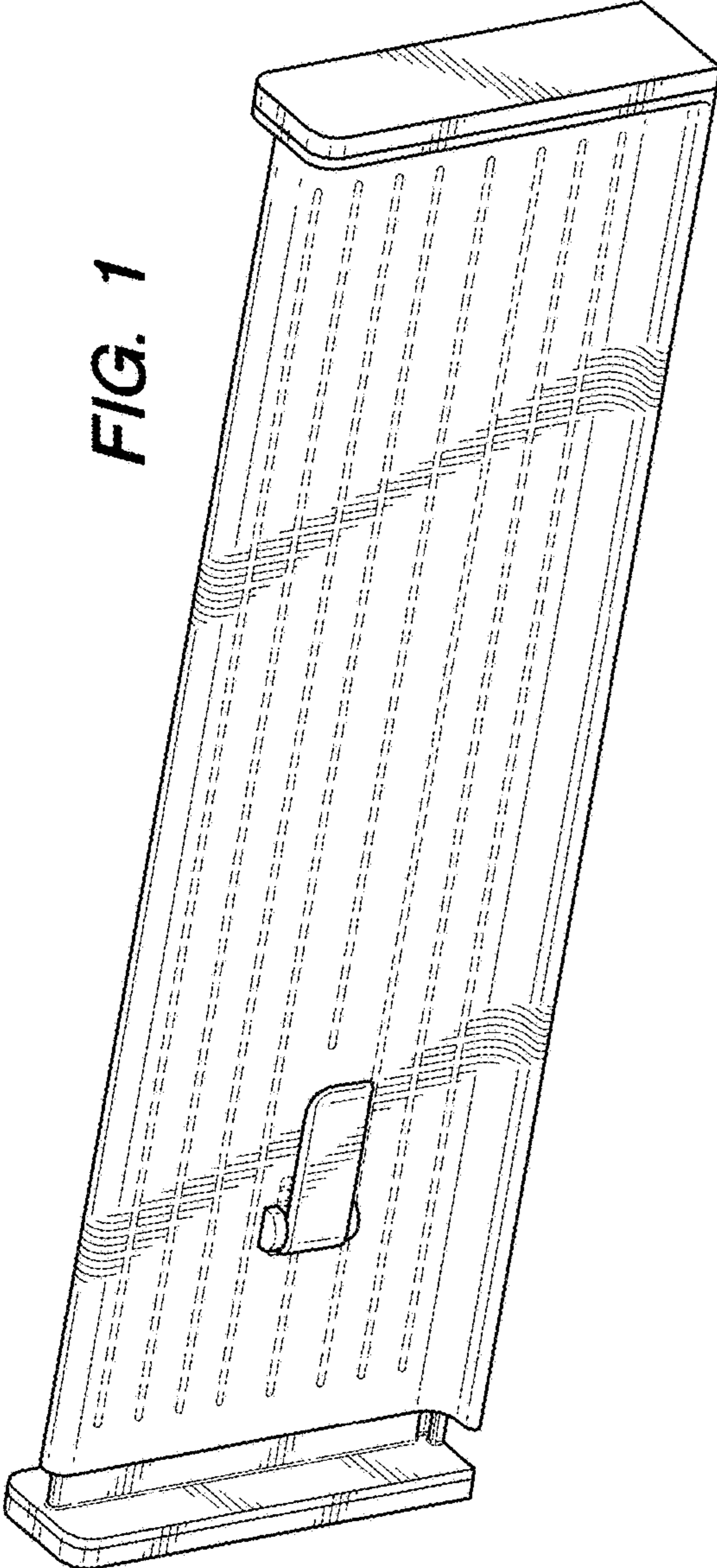
I claim the ornamental design for a divider, as shown and described.

DESCRIPTION

FIG. 1 is a front/left/top perspective view of a divider; FIG. 2 is a rear/bottom/left perspective view thereof; FIG. 3 is a top plan view thereof; FIG. 4 is a right side elevational view thereof; and, FIG. 5 is a front elevational view thereof. The broken lines depict portions that form no part of the claimed design.

1 Claim, 3 Drawing Sheets





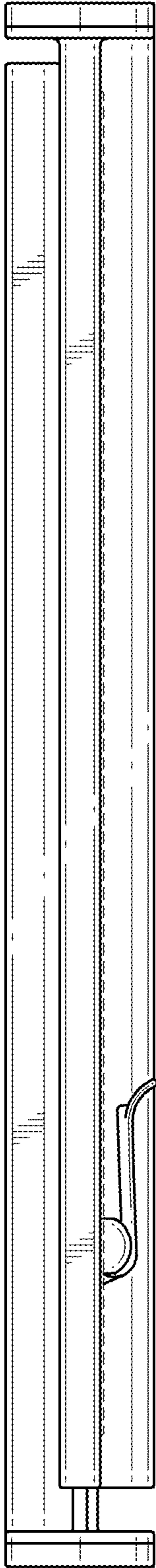


FIG. 3

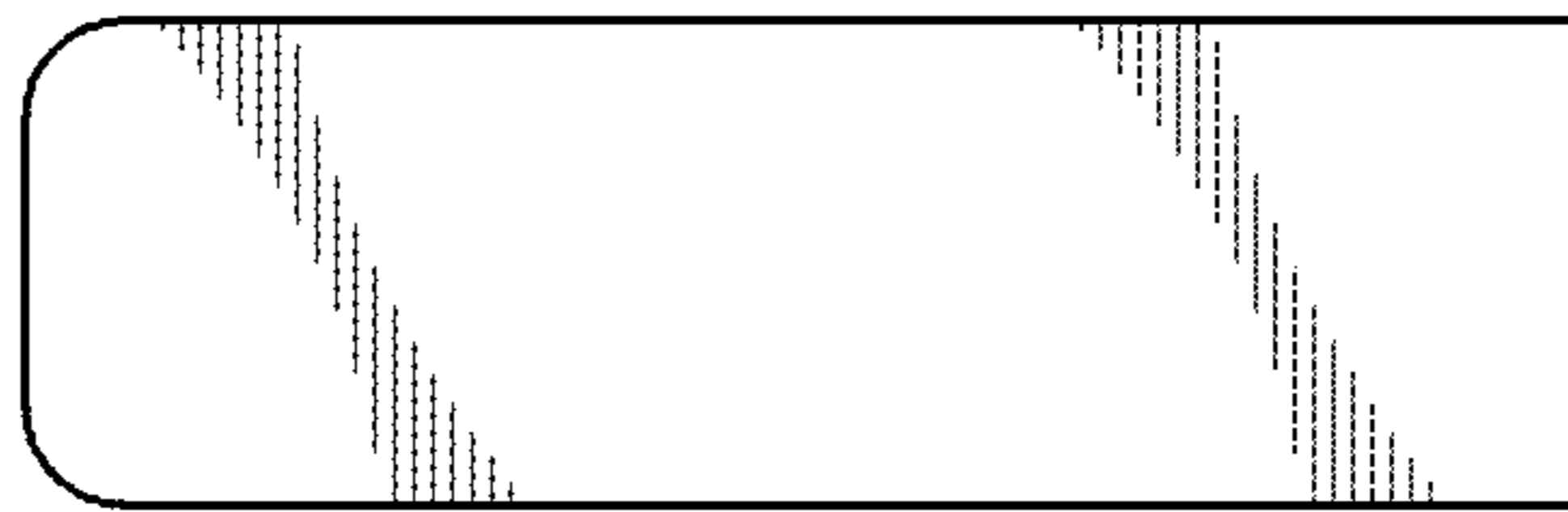


FIG. 4

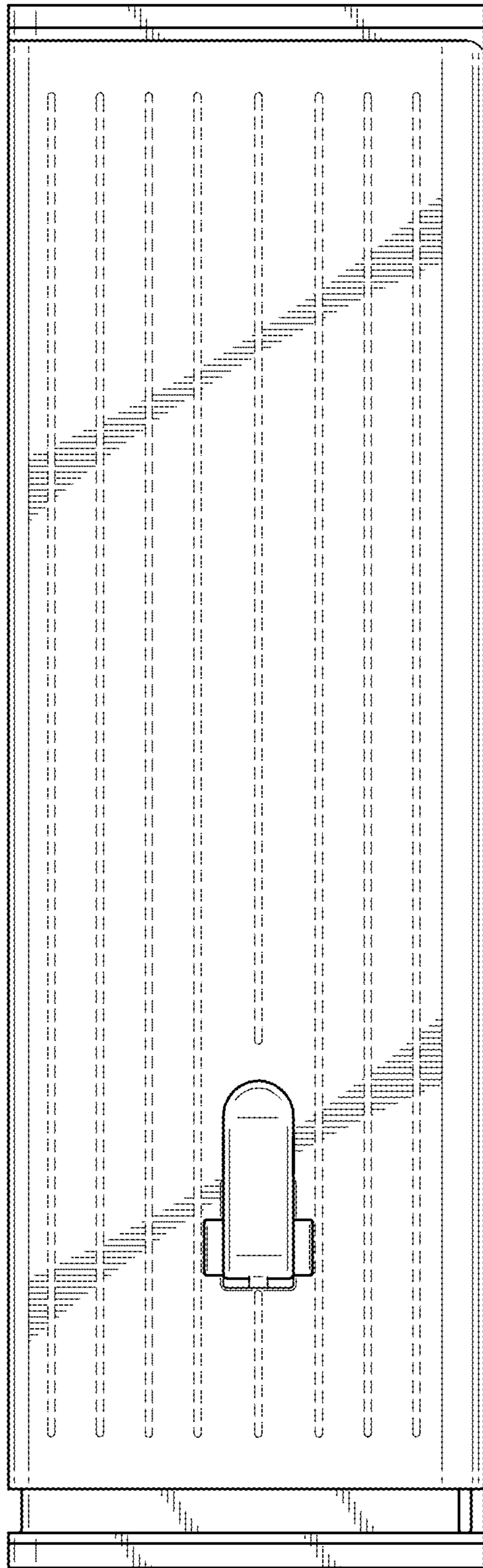


FIG. 5