



US00D885812S

(12) **United States Design Patent**
Kahn et al.

(10) **Patent No.:** **US D885,812 S**
(45) **Date of Patent:** **** Jun. 2, 2020**

(54) **STAND**

(71) Applicant: **The Prestwick Group, Inc.**, Sussex,
WI (US)

(72) Inventors: **Michael Jerome Kahn**, Cedarburg, WI
(US); **Alex Scott Mattern**, West Allis,
WI (US); **Kari Lynn Lyles**,
Oconomowoc, WI (US)

(73) Assignee: **The Prestwick Group, Inc.**, Sussex,
WI (US)

(**) Term: **15 Years**

(21) Appl. No.: **29/590,126**

(22) Filed: **Jan. 6, 2017**

(51) **LOC (12) Cl.** **06-06**

(52) **U.S. Cl.**
USPC **D6/700**

(58) **Field of Classification Search**
USPC D6/641, 642, 643, 648, 686, 689, 691.2,
D6/692, 700
CPC .. A47B 7/00; A47B 13/00; A47B 9/14; A47B
2021/0335; A47B 21/045; A47B 3/00;
A47B 5/00; A47B 5/02; A47B 5/06
See application file for complete search history.

(56) **References Cited**

U.S. PATENT DOCUMENTS

- D278,771 S * 5/1985 Koguma D6/656.1
- D292,151 S * 10/1987 Becker D6/651
- D452,391 S * 12/2001 Efron D14/305
- D542,497 S * 5/2007 Orgna D34/7
- D623,621 S * 9/2010 Roed D14/127
- 8,749,959 B2 * 6/2014 Riley A47B 21/0073
361/679.02
- D741,094 S * 10/2015 Martell D6/702

- D779,761 S * 2/2017 Bergemann D34/7
- D789,124 S * 6/2017 Ehrenreich D6/691
- D799,775 S * 10/2017 Bowen D34/7
- D805,819 S * 12/2017 Price D6/699.2
- D823,620 S * 7/2018 Tsukii D6/686
- D830,085 S * 10/2018 Curthelet D6/671

(Continued)

OTHER PUBLICATIONS

Max-R website material, Camden Double Stream Top Load, avail-
able at <http://www.max-r.net/product/camden-double-topload-recycling-bin>, illustrating products publically available at least by
Jan. 6, 2017, accessed on Jan. 12, 2017, 4 pages.

(Continued)

Primary Examiner — Kendra Leslie Hamilton
(74) *Attorney, Agent, or Firm* — Jansson Munger
McKinley & Kirby Ltd.

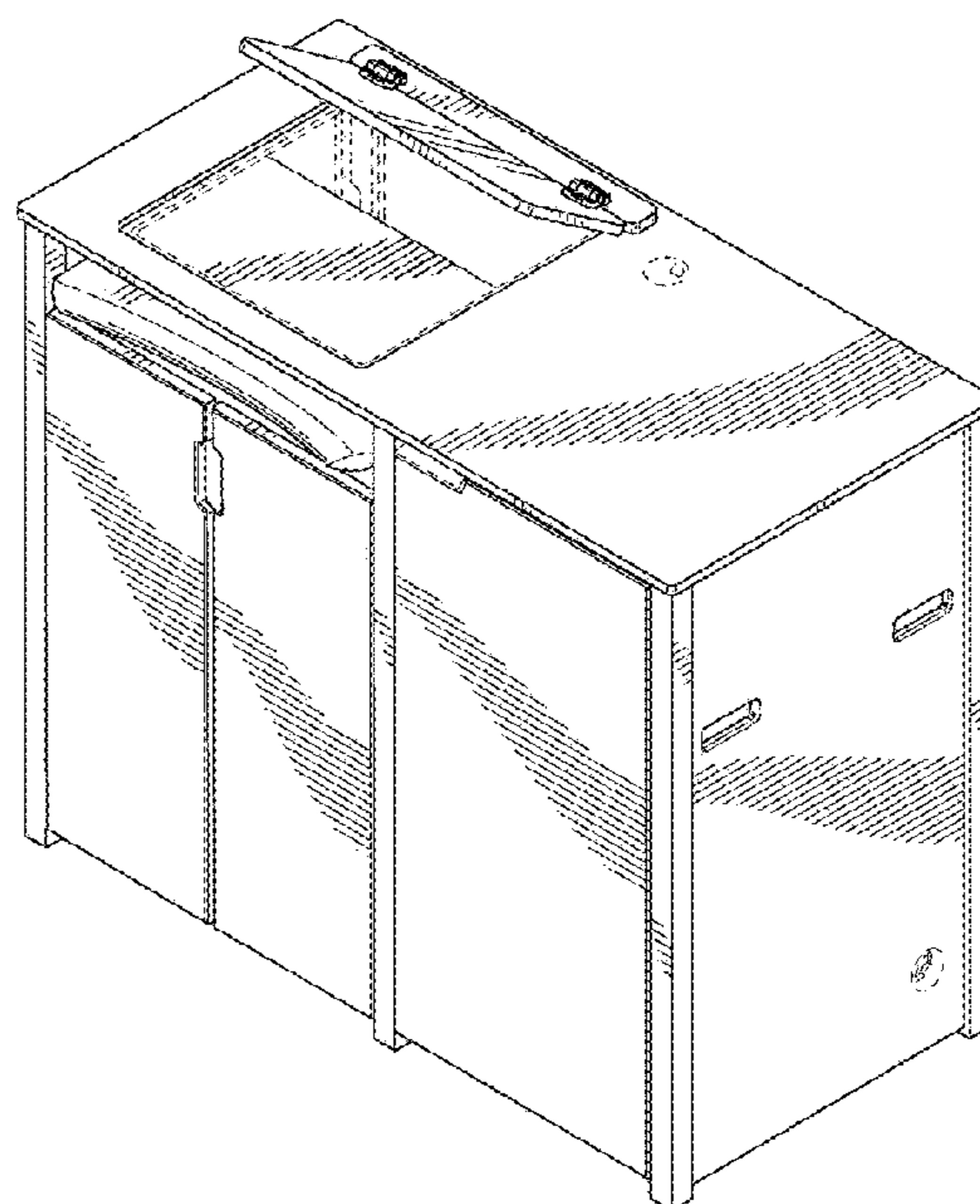
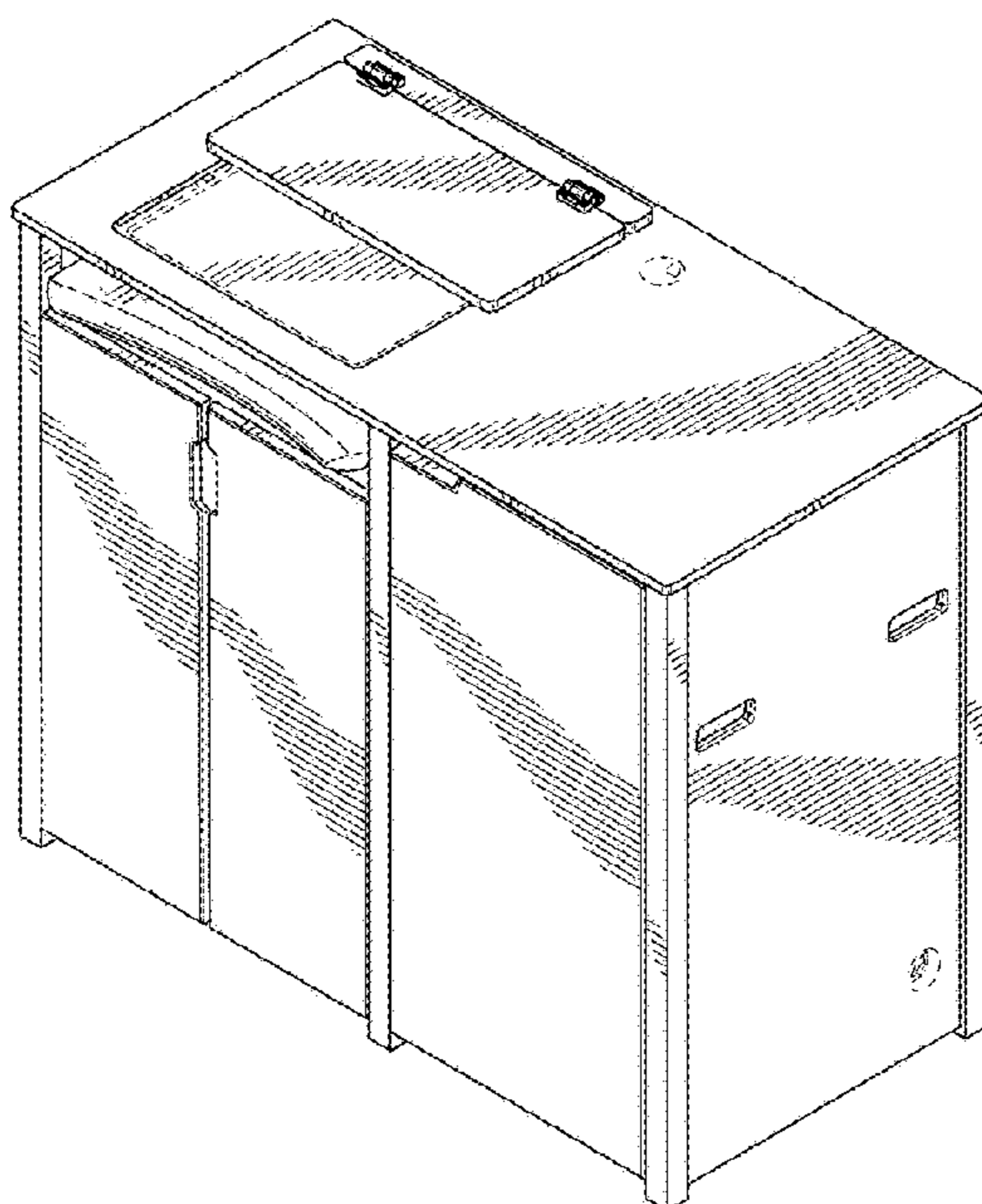
(57) **CLAIM**

The ornamental design for a stand, as shown and described.

DESCRIPTION

FIG. 1 is a top, front, left perspective view of a stand showing our new design in a first configuration for use; FIG. 2 is a bottom, front, left perspective view thereof; FIG. 3 is a top, rear, right perspective view thereof; FIG. 4 is a front elevation view of the stand of FIG. 1, shown enlarged for clarity of disclosure; FIG. 5 is a rear elevation view thereof; FIG. 6 is a right side elevation view thereof; FIG. 7 is a left side elevation view thereof; FIG. 8 is a top plan view thereof; FIG. 9 is a bottom plan view thereof; and, FIG. 10 is a top, front, left perspective view of the stand of FIG. 1, shown in a second configuration for use. The equal-length broken lines in the drawings depict portions of the stand that form no part of the claimed design.

1 Claim, 10 Drawing Sheets



(56)

References Cited

OTHER PUBLICATIONS

Max-R website material, Tuscany Small Podium, available at <http://www.max-r.net/product/tuscany-small-podium>, illustrating products publically available at least by Jan. 6, 2017, accessed on Jan. 12, 2017, 5 pages.

Max-R website material, Tuscany Double Stream Top Load—Split Configuration, available at <http://www.max-r.net/product/tuscany-double-topload-recycling-bin>, illustrating products publically available at least by Jan. 6, 2017, accessed on Jan. 12, 2017, 4 pages.

Max-R website material, Tuscany Double Stream Top Load—Slim Configuration, available at <http://www.max-r.net/product/tuscany-double-topload-recycling-bin>, illustrating products publically available at least by Jan. 6, 2017, accessed on Jan. 12, 2017, 4 pages.

Max-R website material, Tuscany Triple Stream Top Load—Split Configuration, available at <http://www.max-r.net/product/tuscany-triple-topload-recycling-bin>, illustrating products publically available at least by Jan. 6, 2017, accessed on Jan. 12, 2017, 4 pages.

Max-R website material, Tuscany Triple Stream Top Load—Standard, available at <http://www.max-r.net/product/tuscany-triple-topload-recycling-bin>, illustrating products publically available at least by Jan. 6, 2017, accessed on Jan. 12, 2017, 4 pages.

Max-R website material, Tuscany Top Load Towel Return, available at <http://www.max-r.net/product/tuscany-top-load-towel-return>, illustrating products publically available at least by Jan. 6, 2017, accessed on Jan. 12, 2017, 5 pages.

Max-R website material, Verde Bar Station, available at <http://www.max-r.net/product/verde-bar-station>, illustrating products publically available at least by Jan. 6, 2017, accessed on Jan. 12, 2017, 5 pages.

Max-R website material, Verde Large Podium, available at <http://www.max-r.net/product/verde-large-podium>, illustrating products publically available at least by Jan. 6, 2017, accessed on Jan. 12, 2017, 5 pages.

Max-R website material, Verde Medium Podium, available at <http://www.max-r.net/product/verde-medium-podium>, illustrating products publically available at least by Jan. 6, 2017, accessed on Jan. 12, 2017, 5 pages.

Max-R website material, Verde Small Podium, available at <http://www.max-r.net/product/verde-small-podium>, illustrating products publically available at least by Jan. 6, 2017, accessed on Jan. 12, 2017, 5 pages.

Photographs of product received by Applicant on Mar. 3, 2016, representative of a product believed to be commercially available from Nova Desk at least by Mar. 3, 2016.

* cited by examiner

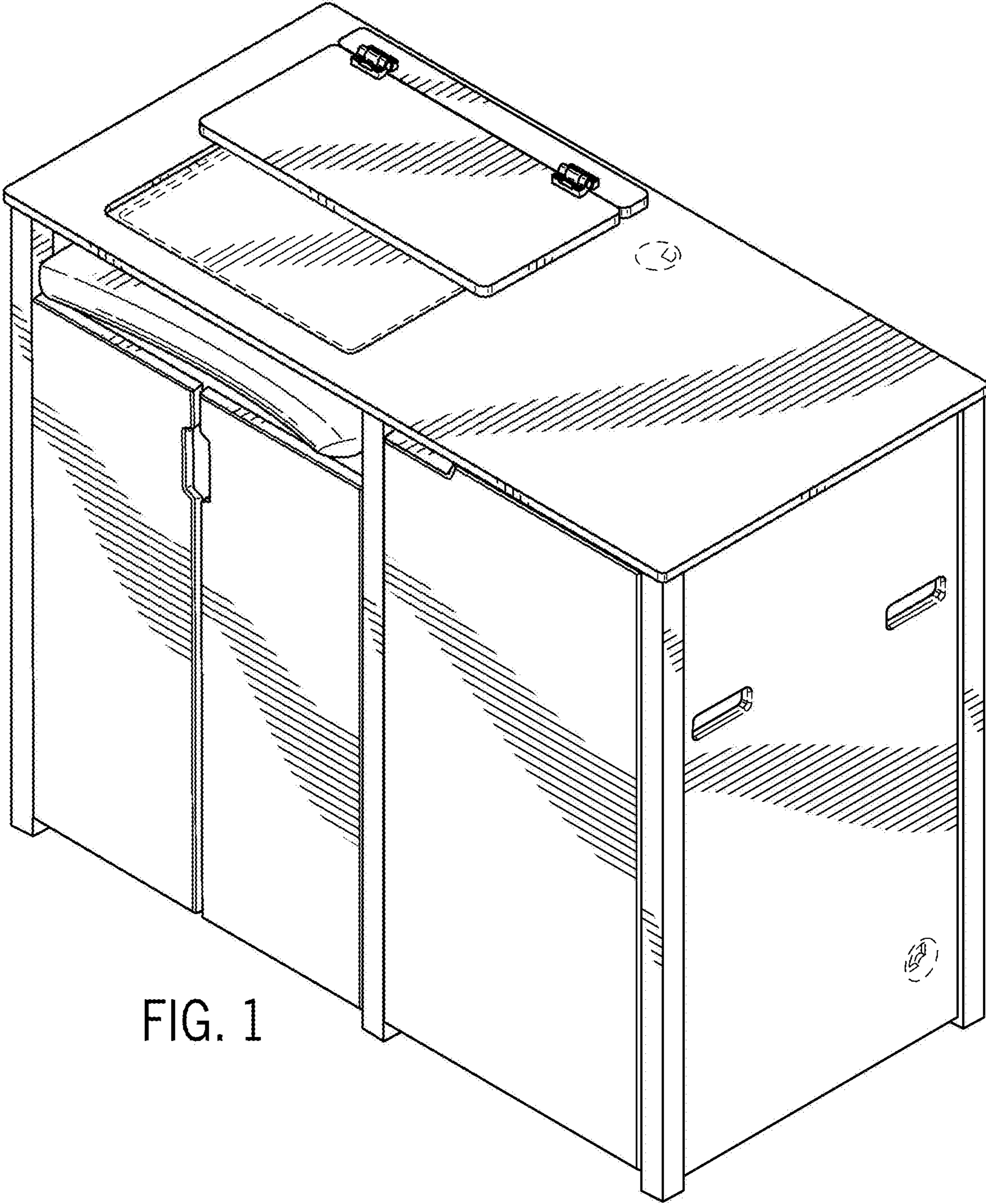


FIG. 1

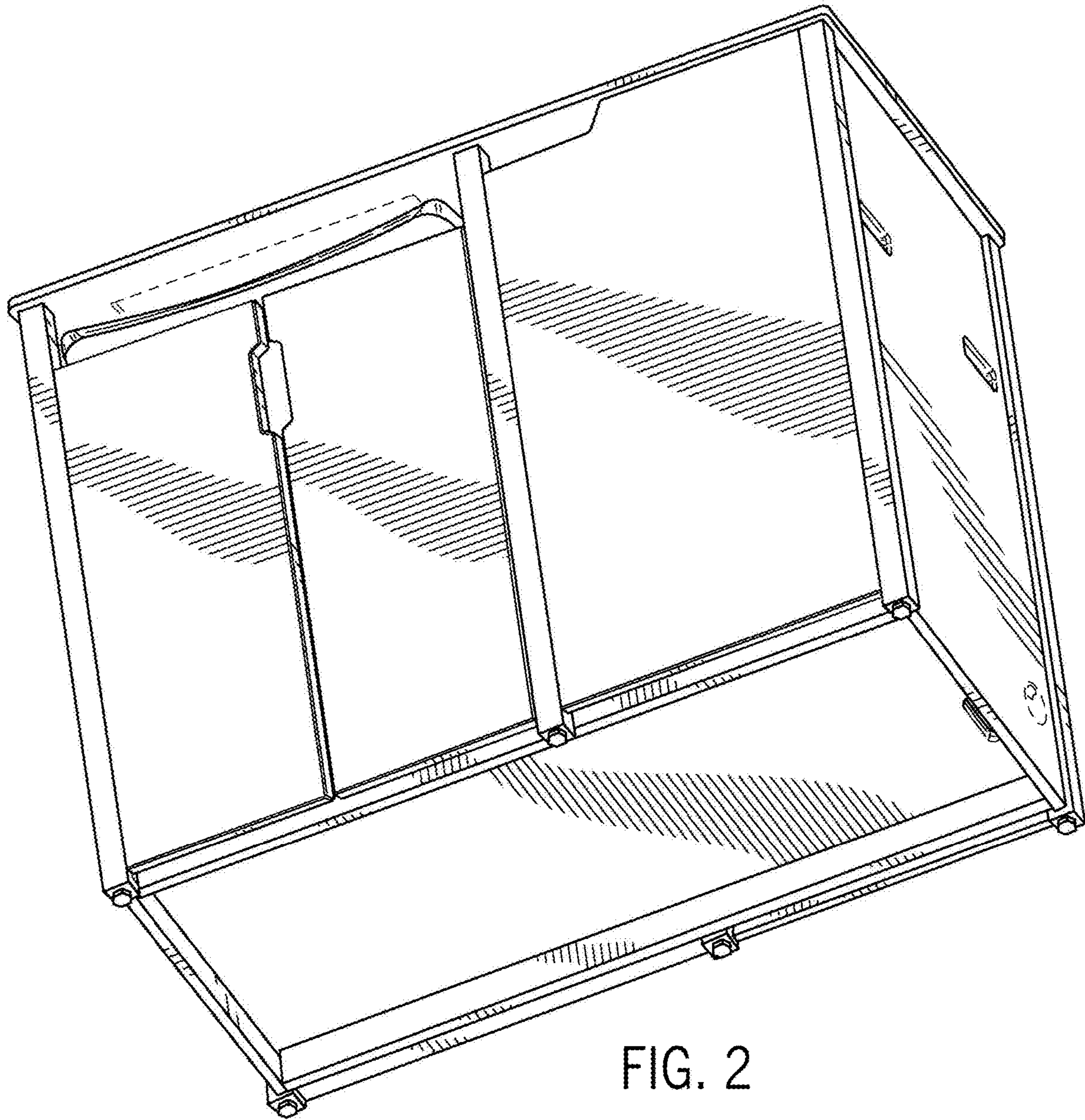


FIG. 2

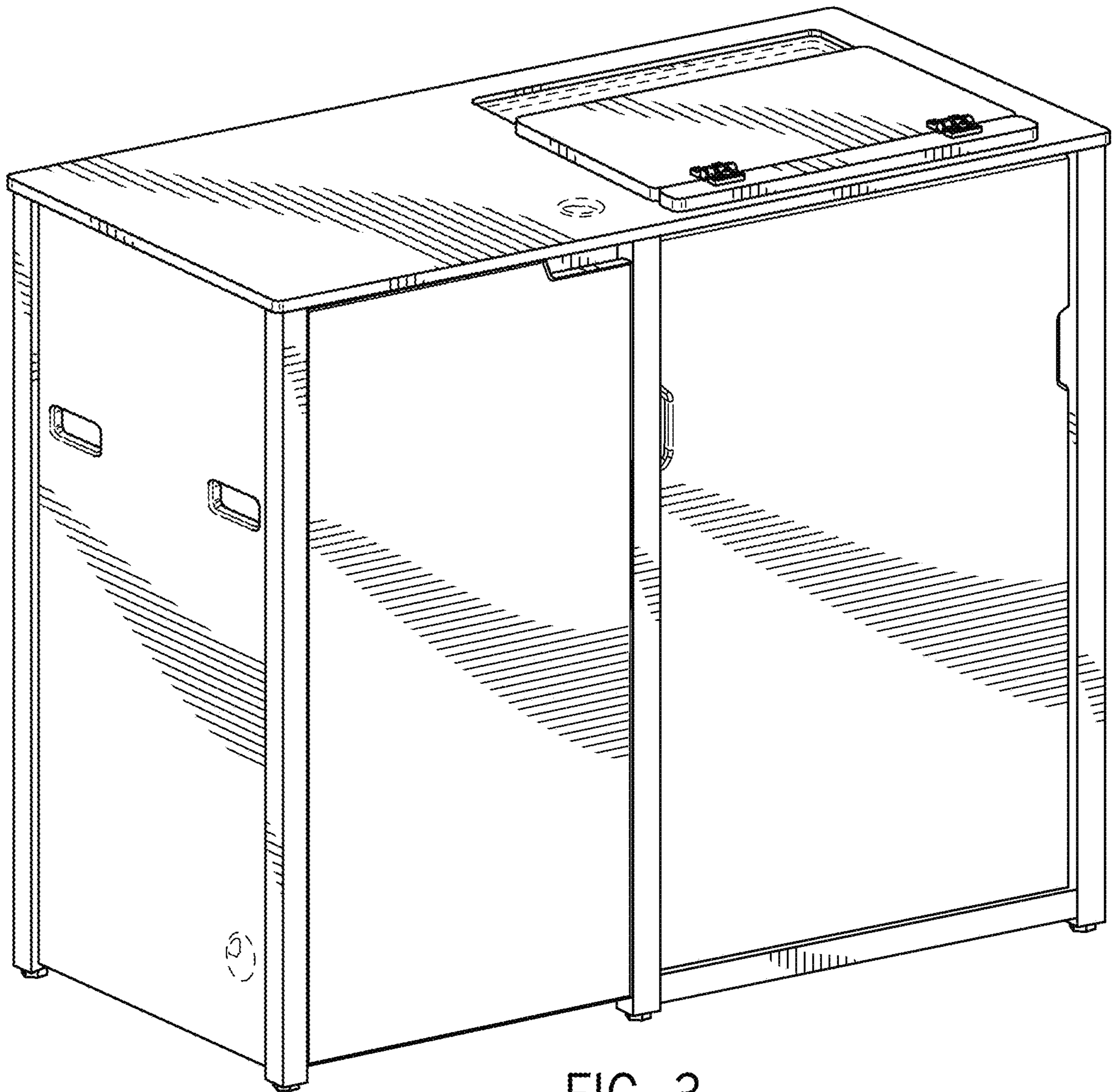


FIG. 3

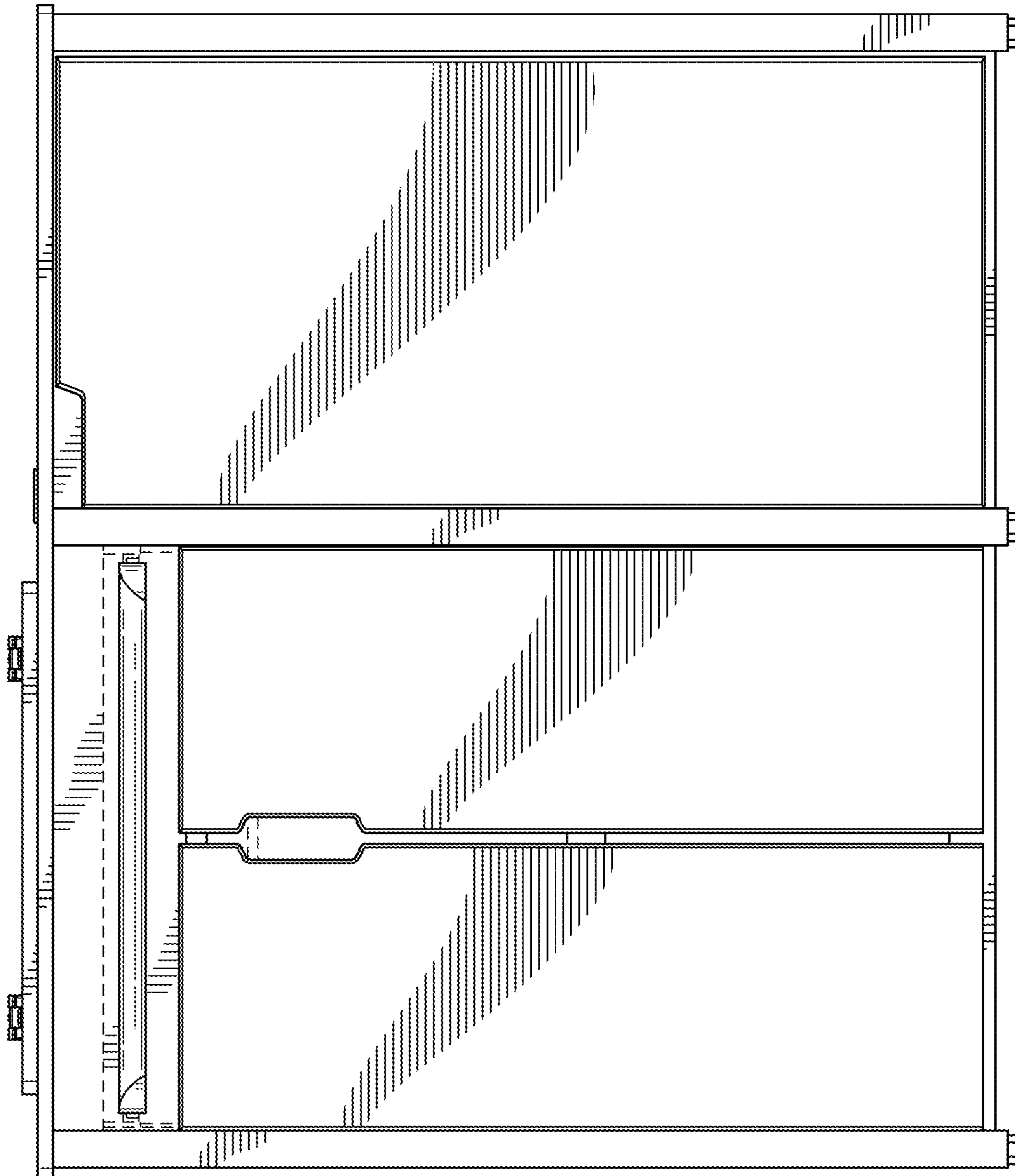


FIG. 4

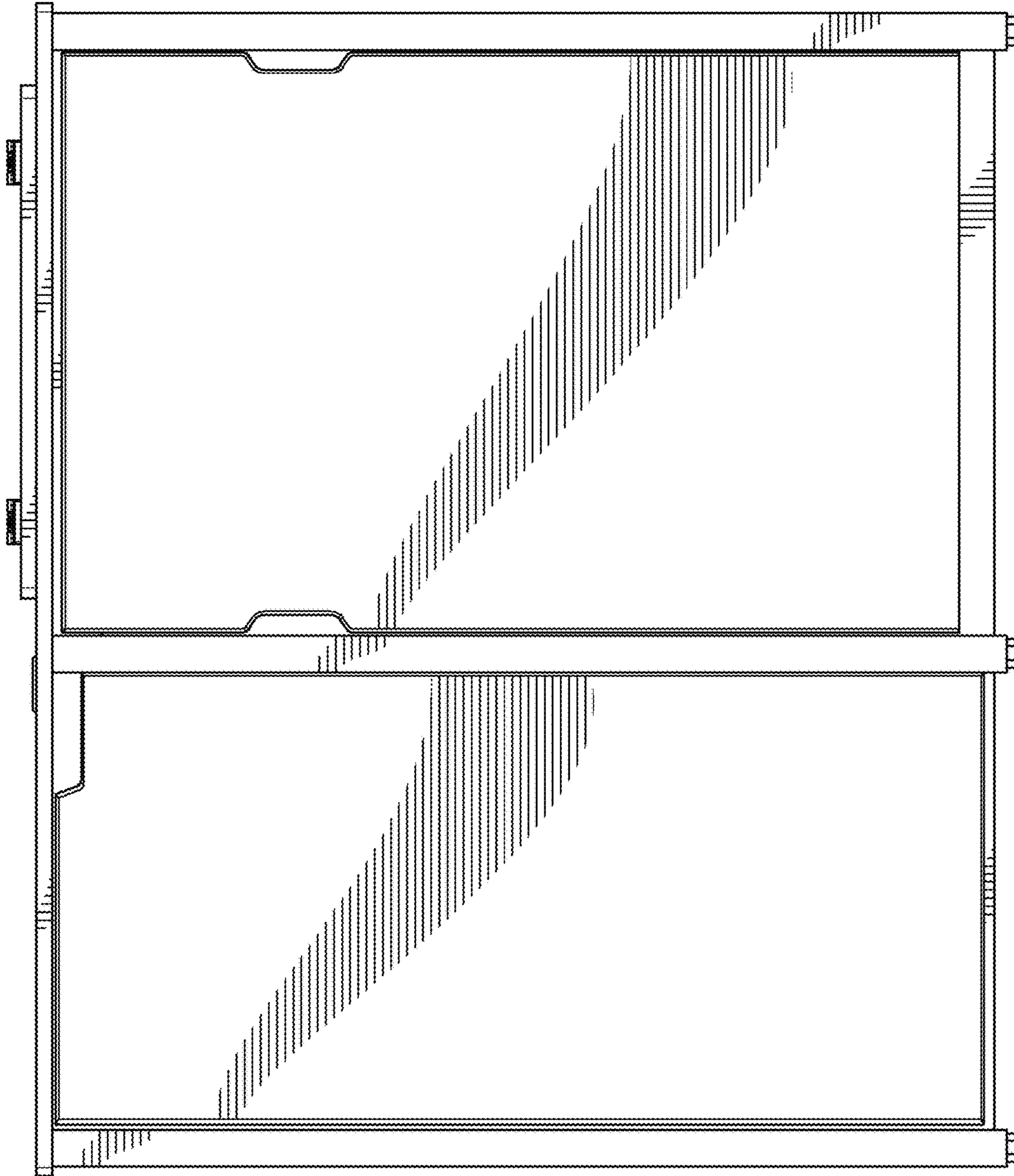


FIG. 5

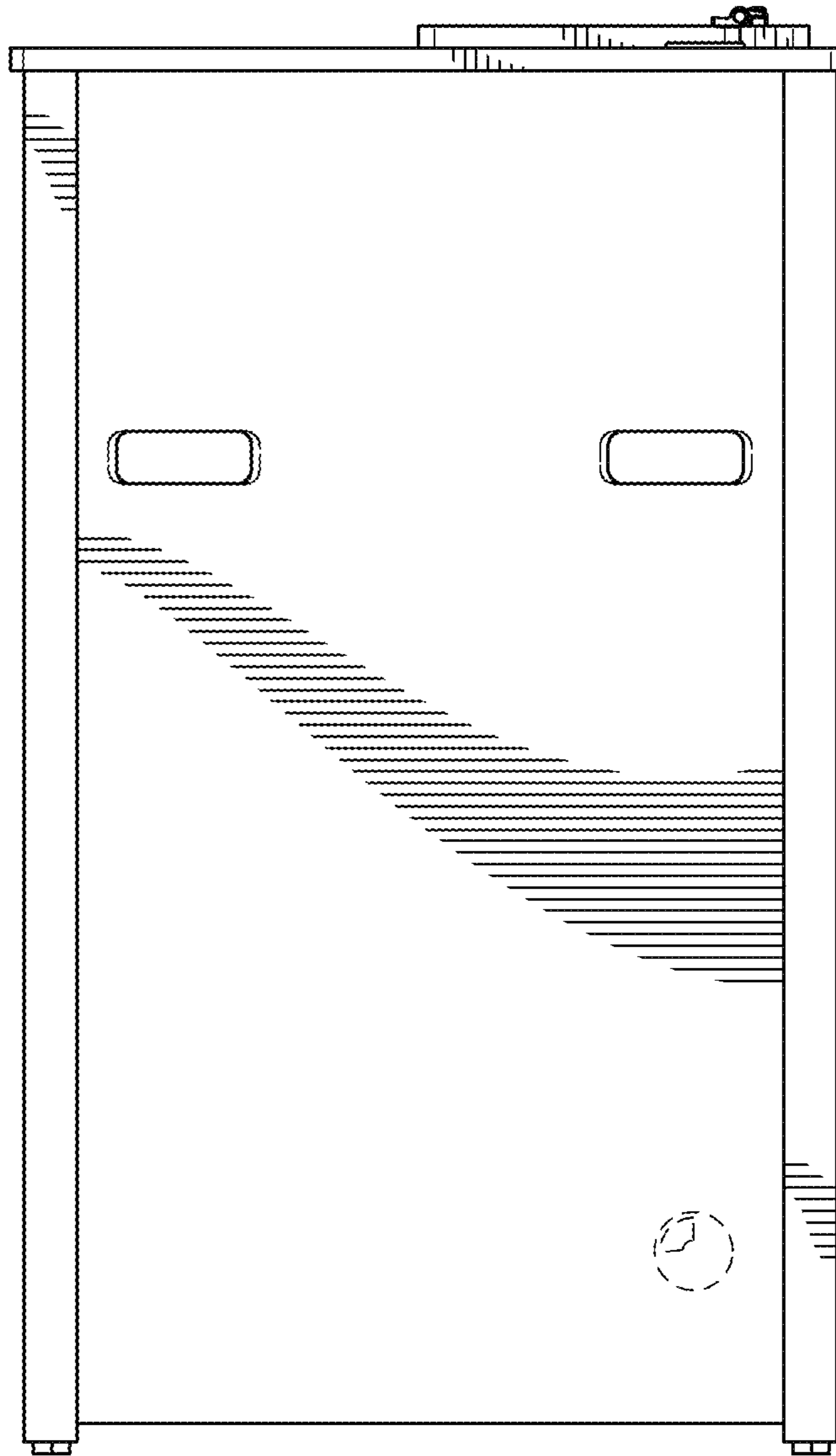


FIG. 6

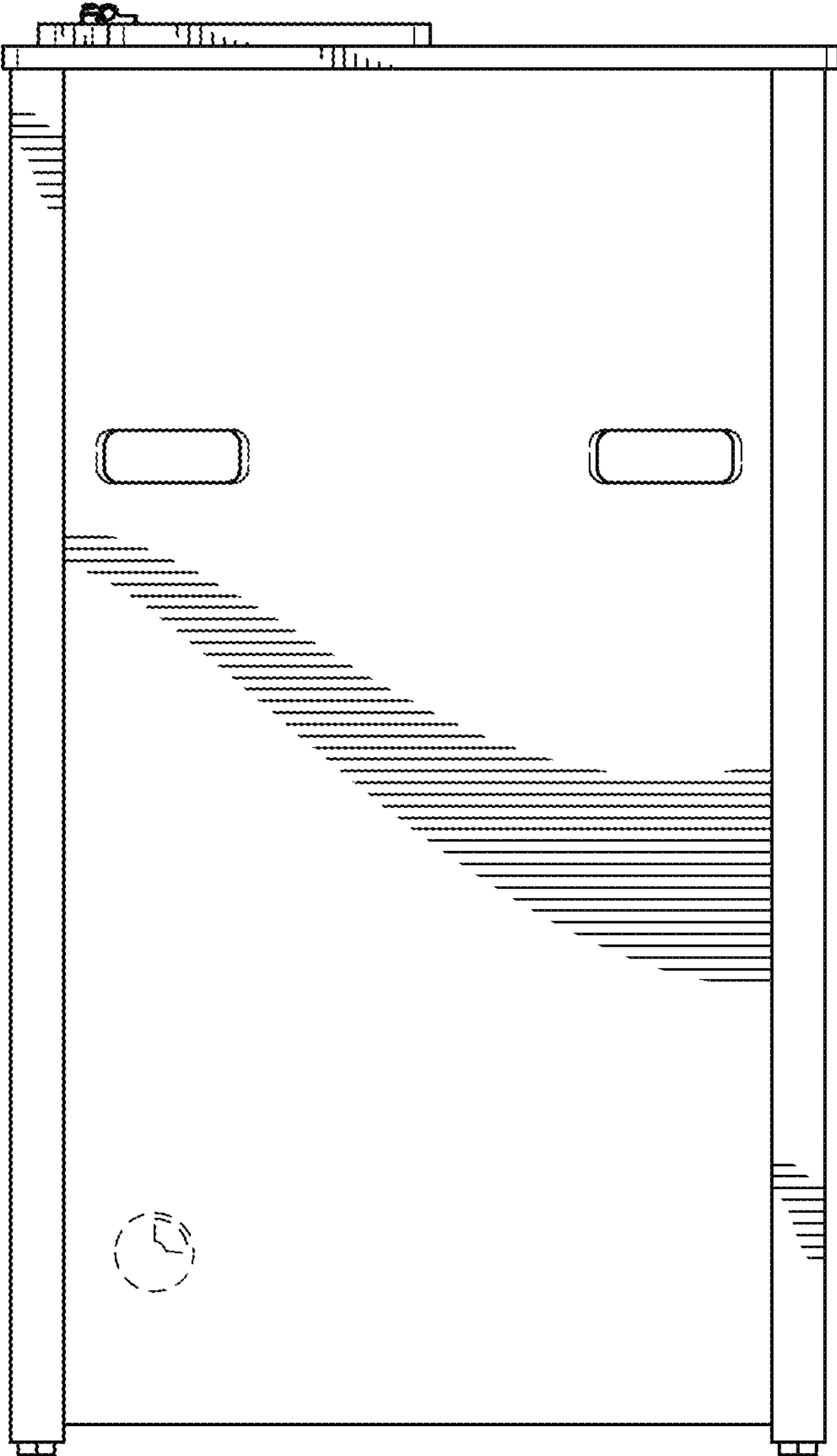


FIG. 7

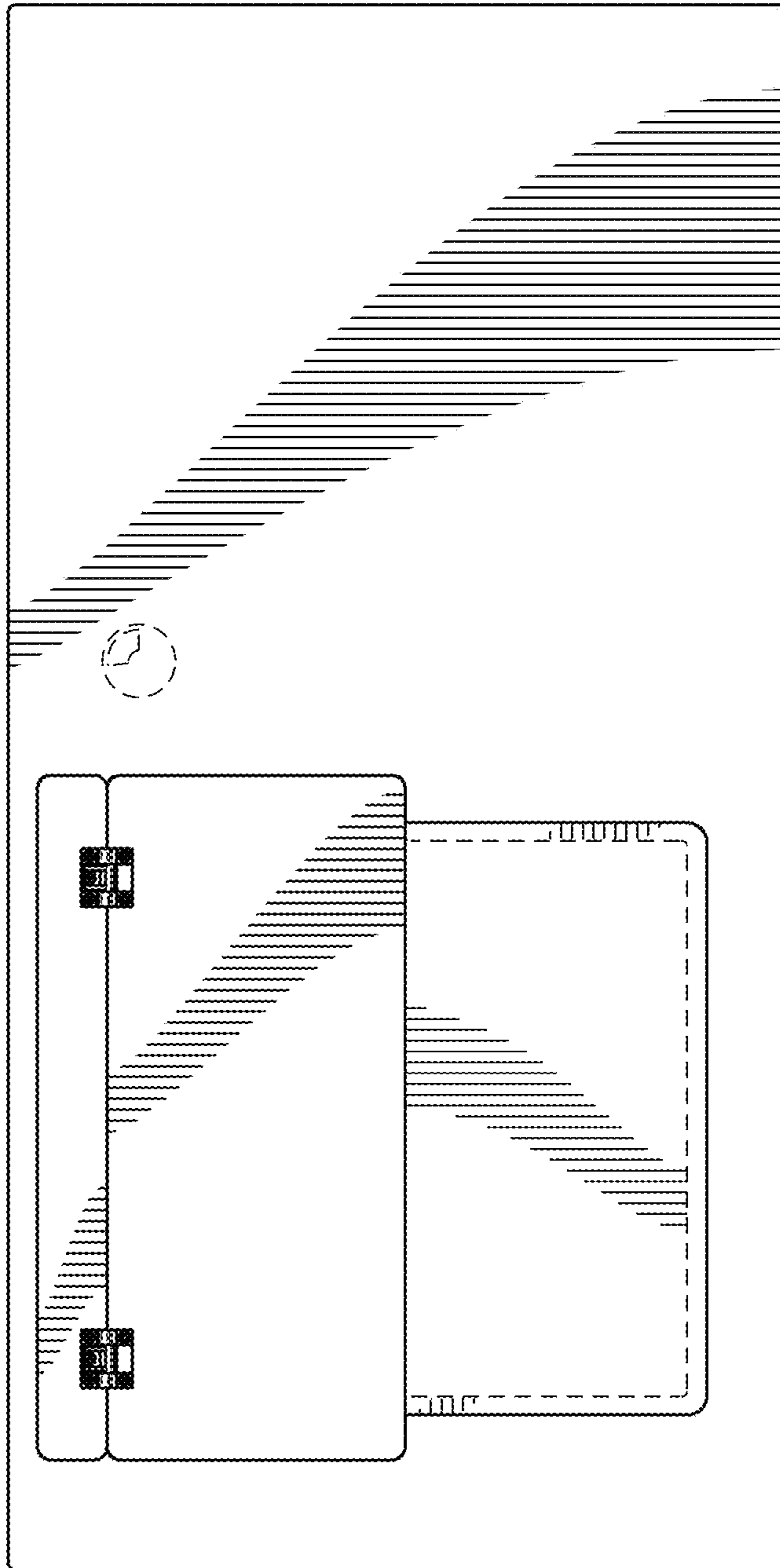


FIG. 8

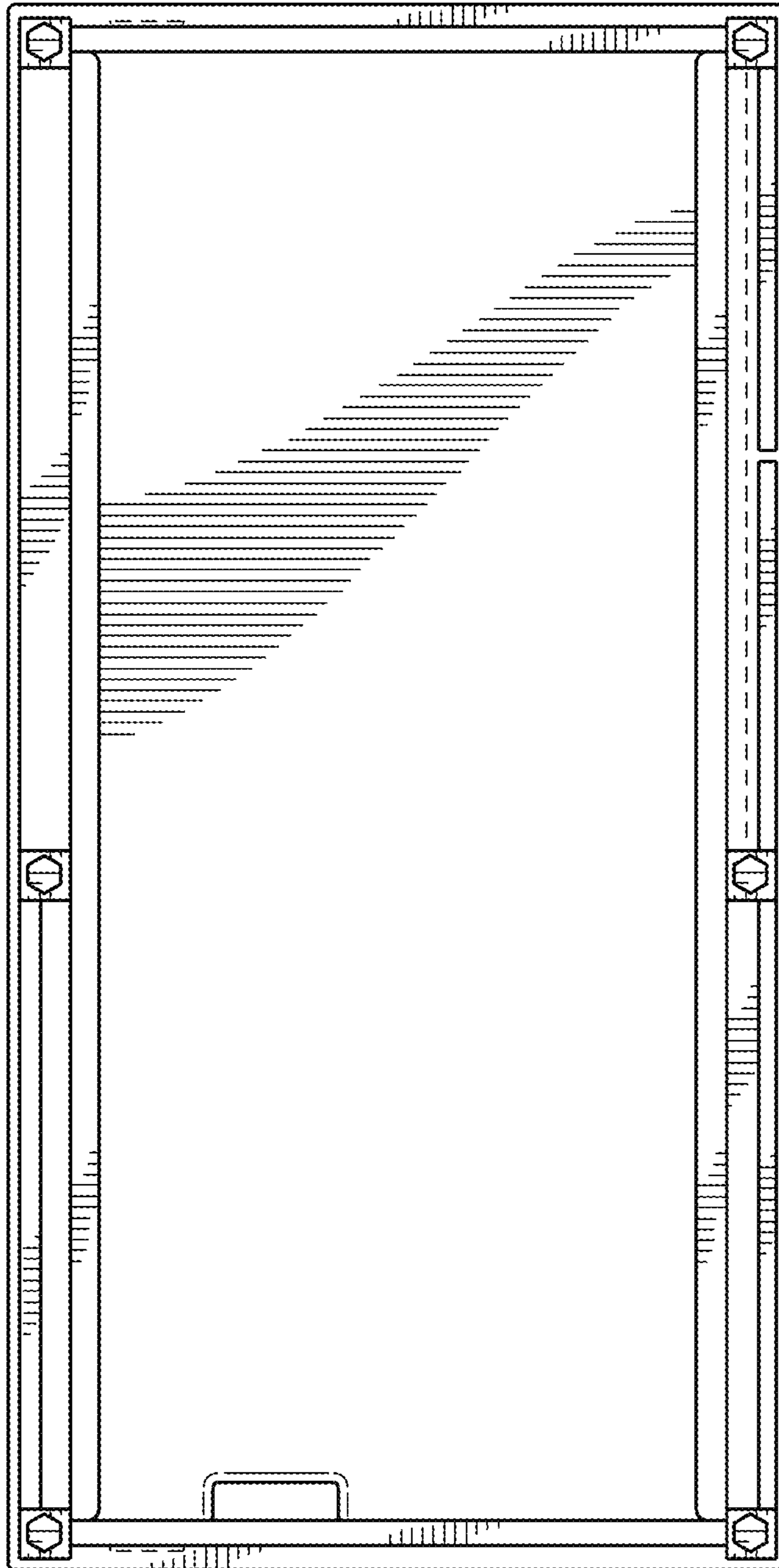


FIG. 9

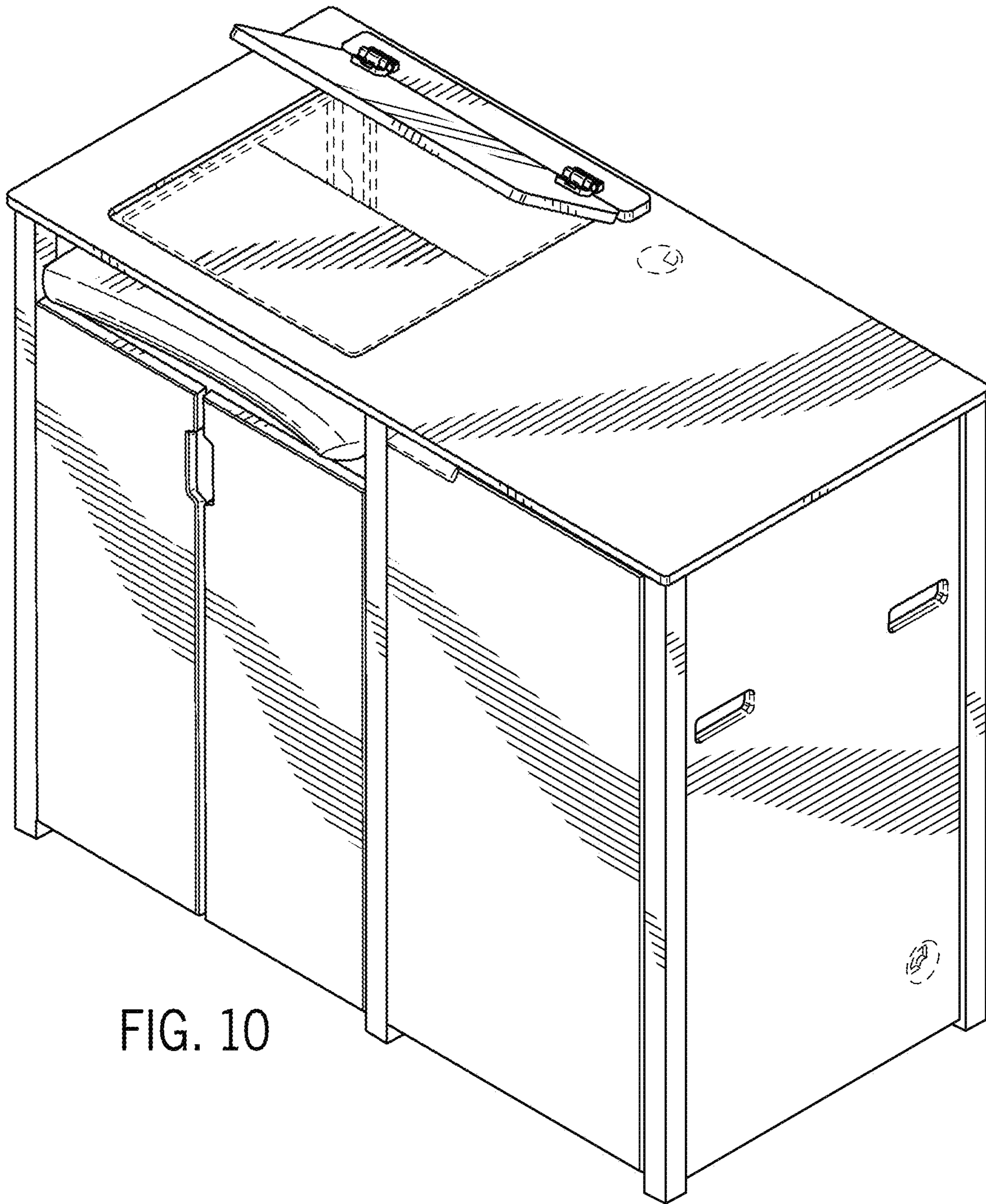


FIG. 10