



US00D885811S

(12) **United States Design Patent**
Gam et al.

(10) **Patent No.:** **US D885,811 S**
(45) **Date of Patent:** **** Jun. 2, 2020**

(54) **COFFEE TABLE**

(71) Applicant: **Nine United Denmark A/S**, Horsens (DK)

(72) Inventors: **Stine Gam**, København Ø (DK);
Enrico Fratesi, København Ø (DK)

(73) Assignee: **HAY A/S**, Horsens (DK)

(**) Term: **15 Years**

(21) Appl. No.: **29/658,722**

(22) Filed: **Aug. 2, 2018**

(30) **Foreign Application Priority Data**

Feb. 5, 2018 (EM) 004694974-0001

(51) **LOC (12) Cl.** **06-03**

(52) **U.S. Cl.**
USPC **D6/692**

(58) **Field of Classification Search**
USPC D6/349, 685, 686, 690, 692, 692.1–692.6
CPC A47B 7/00; A47B 13/00; A47B 13/02;
A47B 13/04; A47B 13/06; A47B 13/08;
A47B 17/00; A47B 21/00; A47B
2200/0001; A47B 2200/0011; A47B
2200/002

See application file for complete search history.

(56) **References Cited**

U.S. PATENT DOCUMENTS

D98,434 S * 2/1936 Hoffmann D6/692.6
D219,490 S * 12/1970 Plessinger D6/692.3

D234,068 S * 1/1975 Mudde D6/692.6
D351,300 S * 10/1994 Cox D6/692.4
D723,846 S * 3/2015 Healy D6/692.4
D845,047 S * 4/2019 Neri D6/692.6
D851,971 S * 6/2019 Axelsson D6/692.4

OTHER PUBLICATIONS

Moroccan Aluminum Round Tray Table—Chairish.com <https://www.chairish.com/product/330770/moroccan-aluminum-round-tray-table> retrieved from the internet on Dec. 16, 2019.*

Midcentury Round Tray Table by H. Engholm and S.A. Willumsen for Fritz Hansen—1stdibs.com—date of manufacture, 1960’s https://www.1stdibs.com/furniture/tables/tray-tables/midcentury-round-tray-table-h-engholm-sa-willumsen-fritz-hansen/id-f_13395411/ retrieved from the internet on Dec. 16, 2019.*

* cited by examiner

Primary Examiner — Mary Ann Calabrese

(74) *Attorney, Agent, or Firm* — Cantor Colburn LLP

(57) **CLAIM**

We claim, the ornamental design for a coffee table, as shown and described.

DESCRIPTION

FIG. 1 is a perspective view of a coffee table, showing our new design;

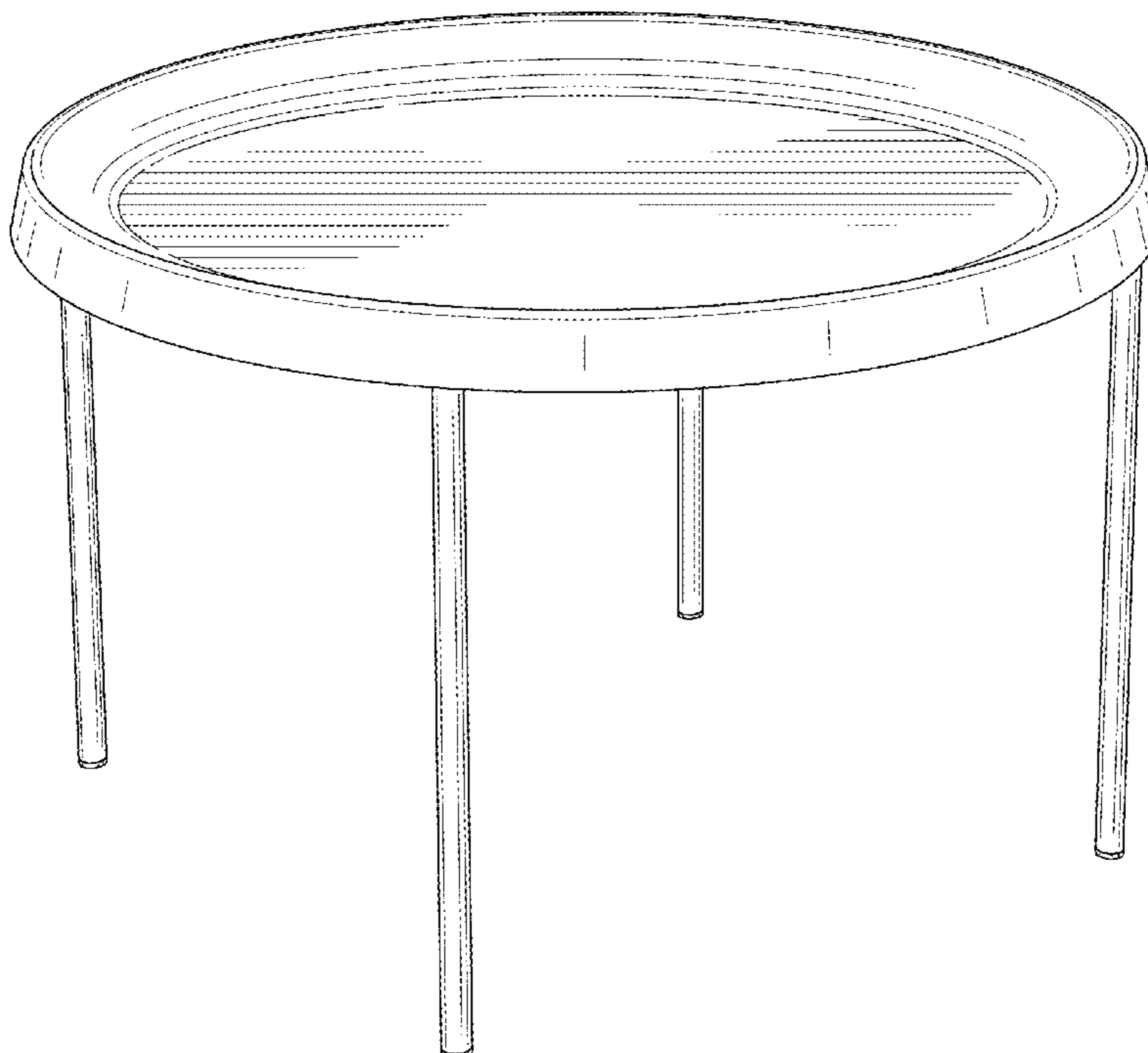
FIG. 2 is a side view thereof, the opposite side view being a mirror image thereof;

FIG. 3 is a top plan view thereof; and,

FIG. 4 is a bottom plan view thereof.

The portions of the drawings shown in broken lines form no part of the claimed design.

1 Claim, 4 Drawing Sheets



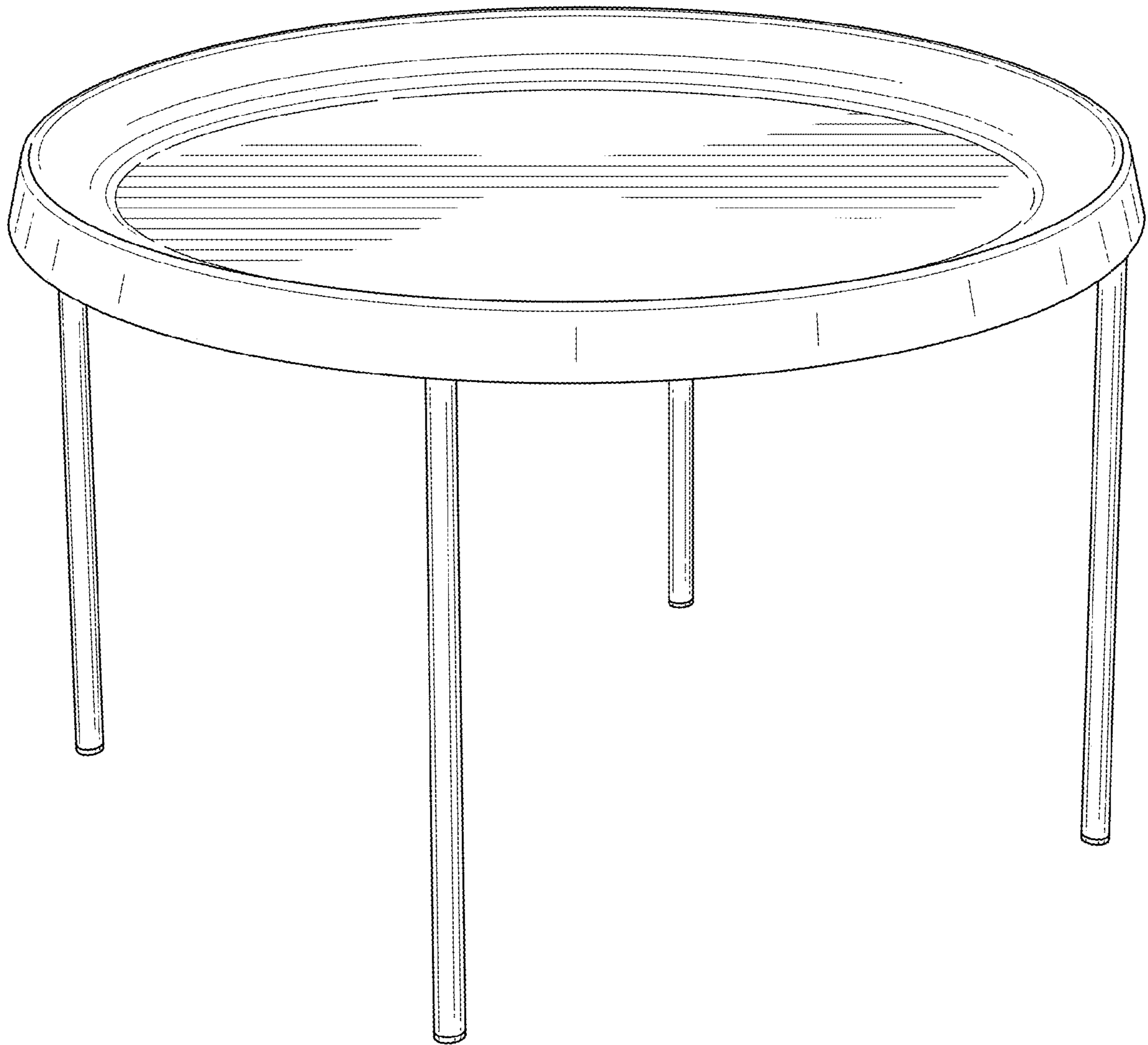


FIG. 1

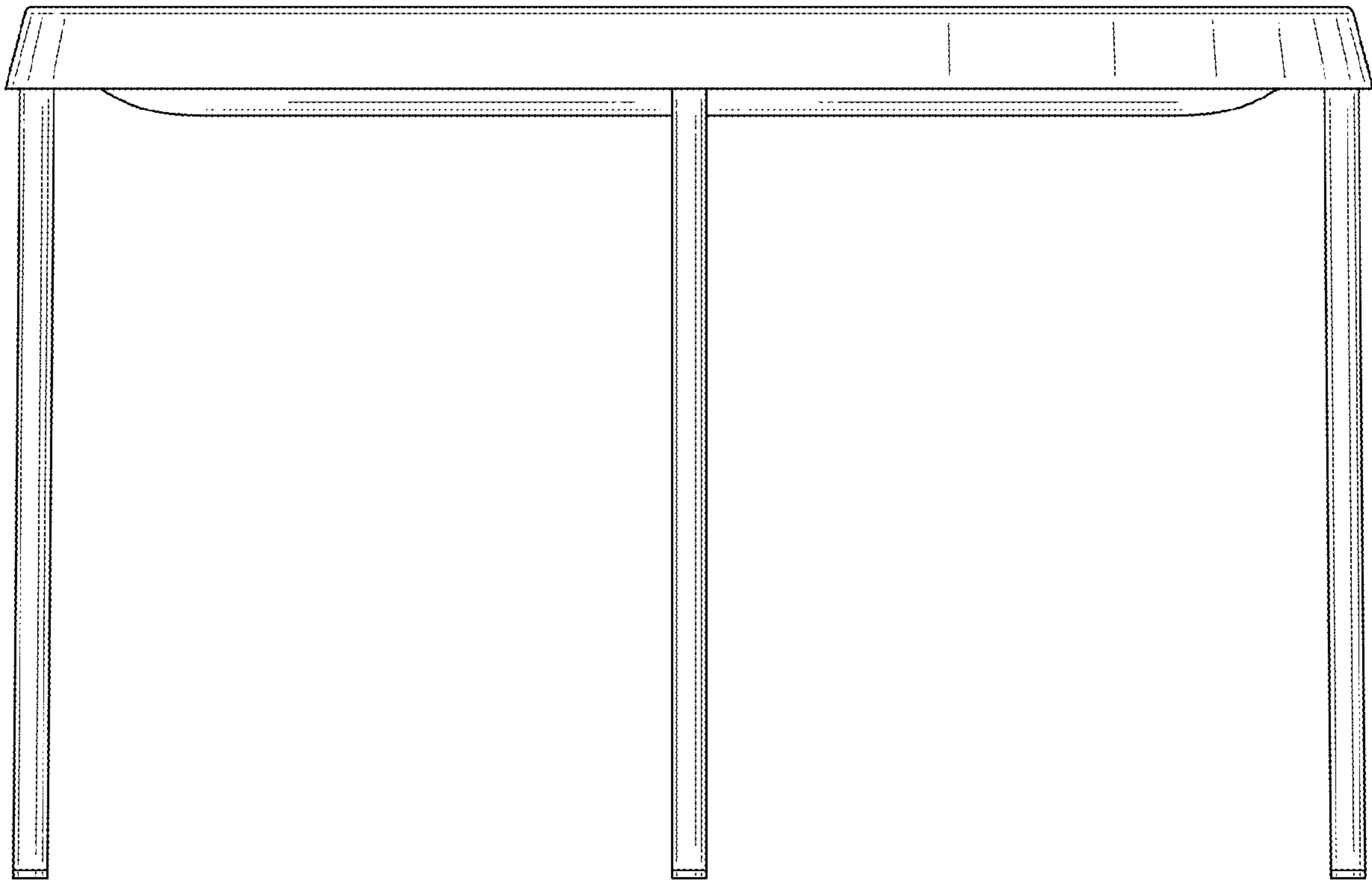


FIG. 2

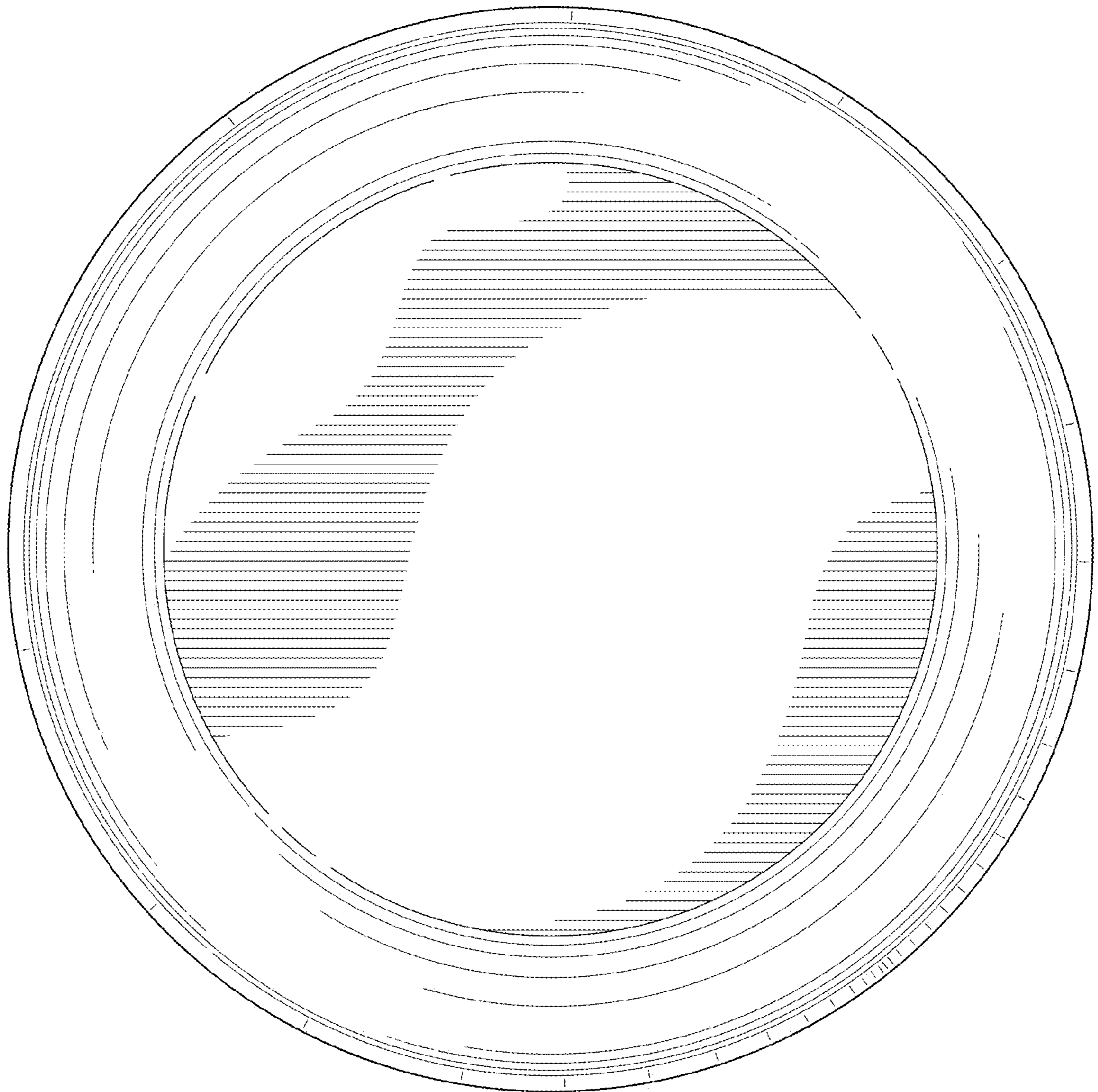


FIG. 3

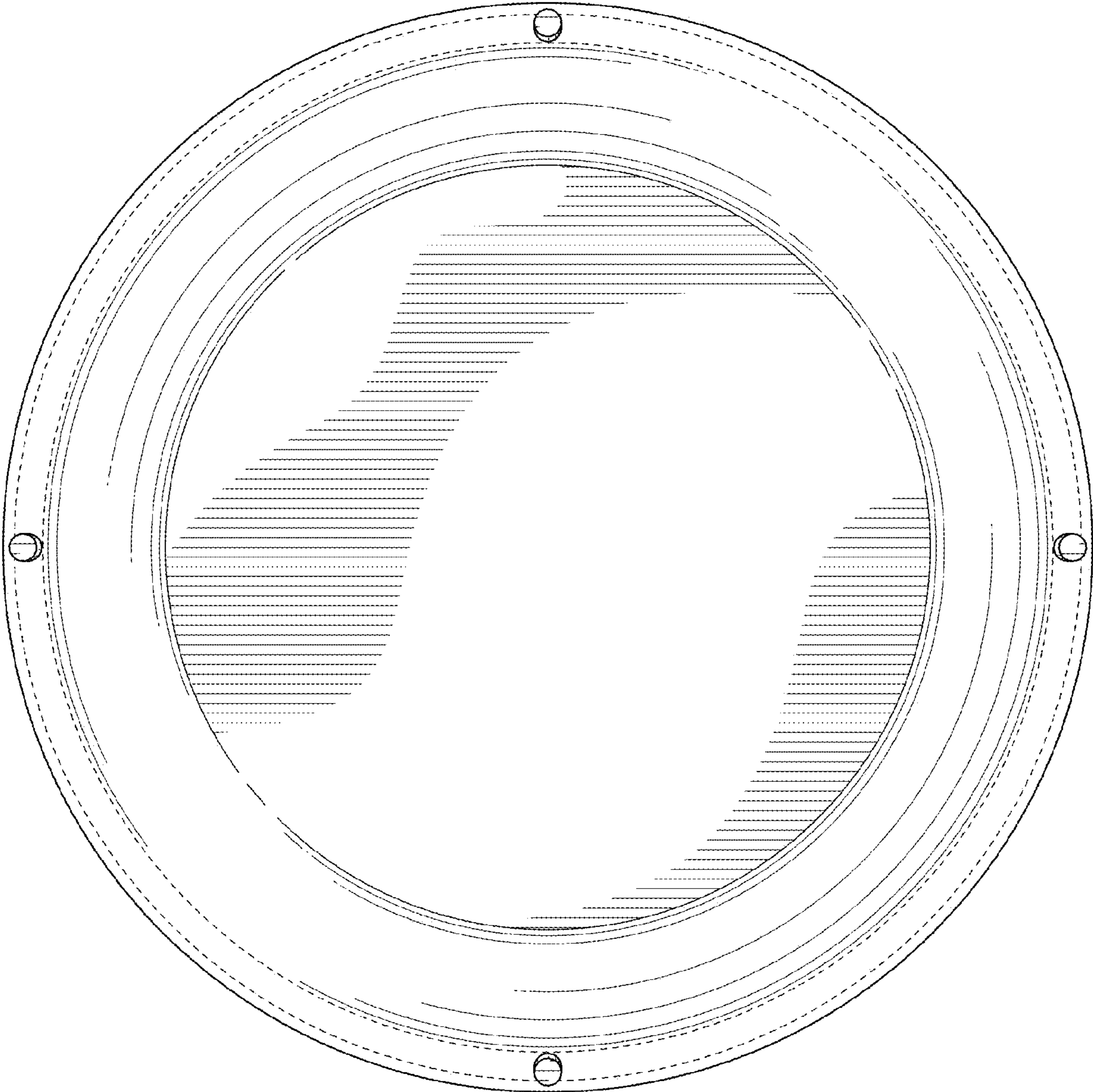


FIG. 4