



US00D885810S

(12) **United States Design Patent** (10) **Patent No.:** **US D885,810 S**
Song (45) **Date of Patent:** **** Jun. 2, 2020**

(54) **COAT STAND**
(71) Applicant: **AMEZIEL INC**, Ontario, CA (US)
(72) Inventor: **Chuan Song**, Zhengzhou (CN)
(**) Term: **15 Years**
(21) Appl. No.: **29/675,022**
(22) Filed: **Dec. 28, 2018**
(51) **LOC (12) Cl.** **20-02**
(52) **U.S. Cl.**
USPC **D6/681.3**
(58) **Field of Classification Search**
USPC D6/315, 672, 676, 676.1, 676.2, 676.5,
D6/680, 680.2, 680.3, 681, 681.1, 681.2,
D6/681.3, 682.5, 682, 552
CPC .. A47F 5/00; A47F 5/04; A47F 5/0006; A47F
5/0018; A47F 7/00; A47F 7/24; A47F
7/19; A47G 25/00; A47G 25/02; A47G
25/06
See application file for complete search history.

D369,496 S * 5/1996 Bartle D6/681.3
D403,175 S * 12/1998 Dardashti D6/681.2
6,311,857 B1 * 11/2001 Al-Darraj A47G 25/0664
211/203
D536,902 S * 2/2007 Wu D6/680.2
D545,080 S * 6/2007 Massaud D6/681.3
D557,941 S * 12/2007 Valentini D6/681.2
D560,089 S * 1/2008 DeMeyer D6/552
D595,518 S * 7/2009 Zapanta D6/681.1
D601,817 S * 10/2009 Barbieri D6/327
D625,120 S * 10/2010 Wisniewski D6/681.3
D630,869 S * 1/2011 Evans D6/680
D639,087 S * 6/2011 Wisniewski D6/681.3
8,136,786 B2 * 3/2012 Kepes A47B 97/08
248/166

(Continued)

OTHER PUBLICATIONS

Songmics Coat Rack, @songmics_us, Published date of Sep. 26, 2018, Searched Oct. 18, 2019, https://twitter.com/songmics_us/status/1045162509106200577.*

Primary Examiner — Steven J Czyz
(74) *Attorney, Agent, or Firm* — Tsz Lung Yeung

(57) **CLAIM**

The ornamental design for a coat stand, as shown and described.

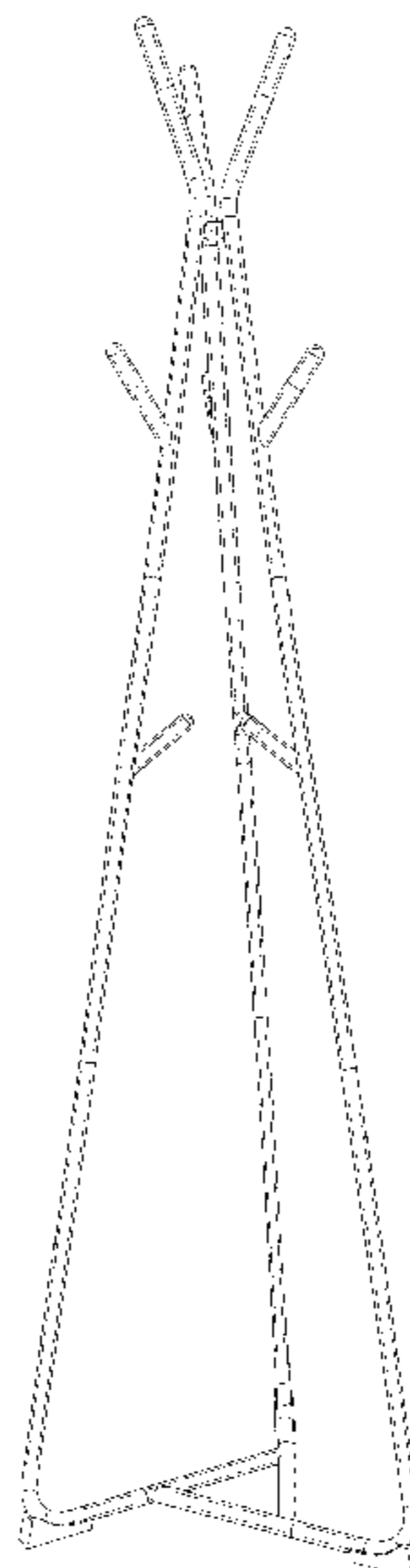
DESCRIPTION

FIG. 1 is a perspective view of a coat stand showing my new design;
FIG. 2 is a front view thereof;
FIG. 3 is a rear view thereof;
FIG. 4 is a right side view thereof;
FIG. 5 is a left side view thereof;
FIG. 6 is a top view thereof; and,
FIG. 7 is a bottom view thereof;
The broken lines depict portions of the article that form no part of the claimed design.

1 Claim, 7 Drawing Sheets

(56) **References Cited**
U.S. PATENT DOCUMENTS

D44,711 S * 9/1913 Roberts et al. D6/681.3
1,485,852 A * 3/1924 Jarvis A47F 5/01
108/92
2,447,924 A * 8/1948 Vitale A47G 25/0664
211/205
3,204,333 A * 9/1965 Wise A47G 25/0664
228/170
D210,786 S * 4/1968 Rodin et al. D6/680
3,955,787 A * 5/1976 Brown A47F 5/04
248/159
D253,077 S * 10/1979 Wolf D6/680
D263,653 S * 4/1982 Viets D10/71
D311,288 S * 10/1990 Lee D6/680.2
D339,009 S * 9/1993 Evenson D6/681.3
D339,249 S * 9/1993 Wu D6/681.1
D369,032 S * 4/1996 Huang D6/680



(56)

References Cited

U.S. PATENT DOCUMENTS

D699,486	S *	2/2014	Huang	D6/681.3
D706,065	S *	6/2014	Wilson	D6/677.3
D713,661	S *	9/2014	Yu	D6/680.2
D722,461	S *	2/2015	Braun	D3/234
D722,796	S *	2/2015	Lievore	D6/681.1
D760,516	S *	7/2016	Yu	D6/680.2
D779,241	S *	2/2017	Terada	D6/315
D812,398	S *	3/2018	Mendini	D6/681.1
D833,185	S *	11/2018	Zhou	D6/681.3
D840,729	S *	2/2019	Irek	D6/681.1
D854,863	S *	7/2019	Majer	D6/681.1
2012/0055893	A1 *	3/2012	Wisniewski	A47G 25/0664 211/85.3

* cited by examiner

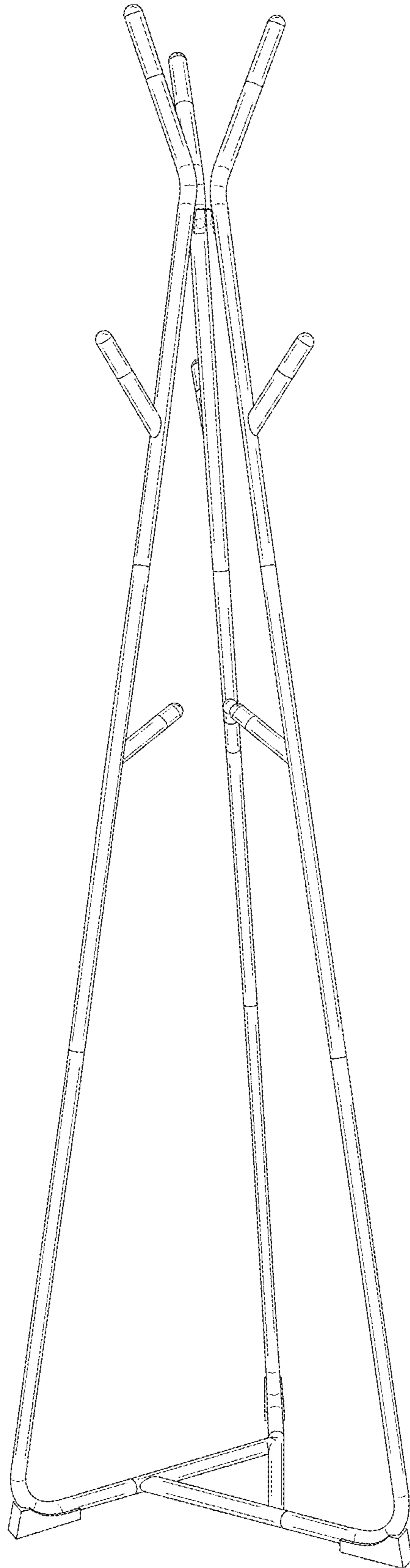


FIG. 1

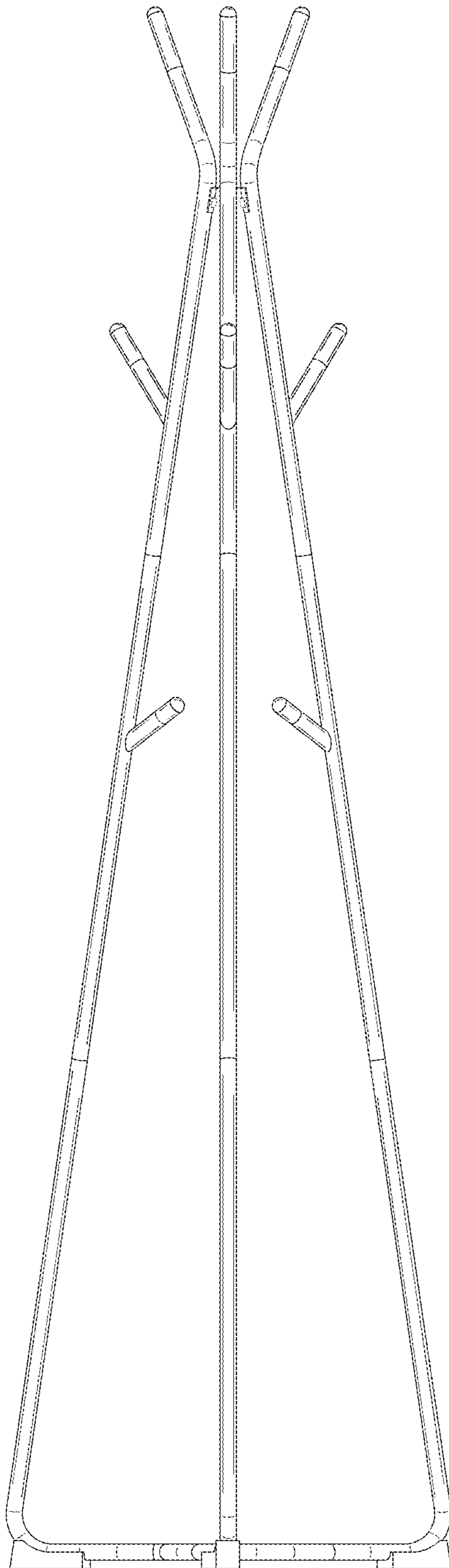


FIG. 2

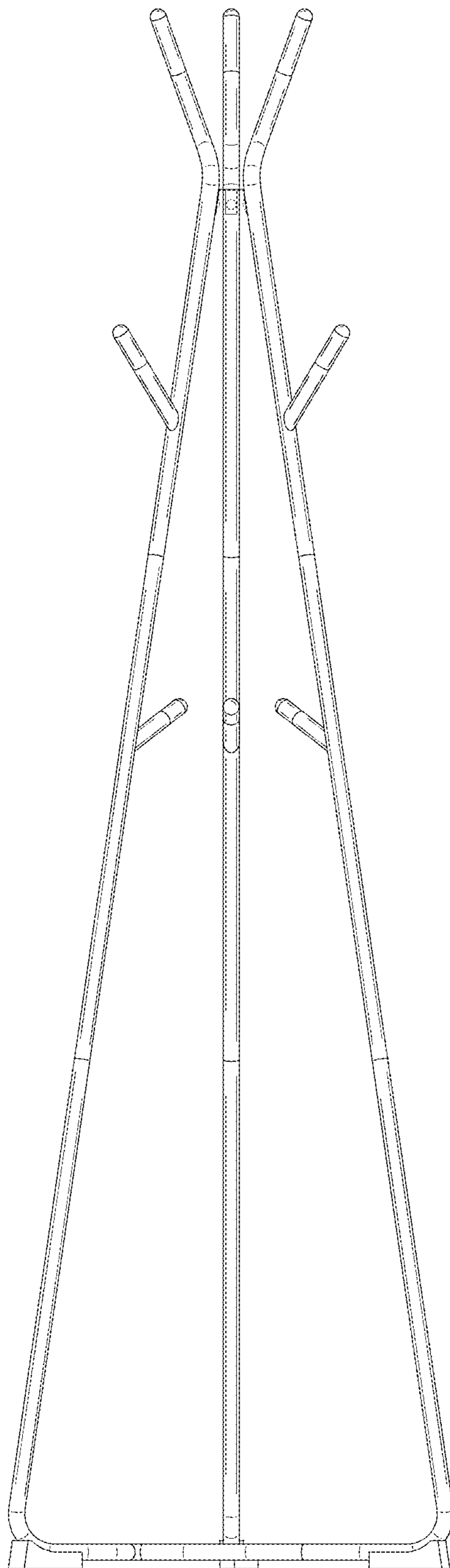


FIG. 3

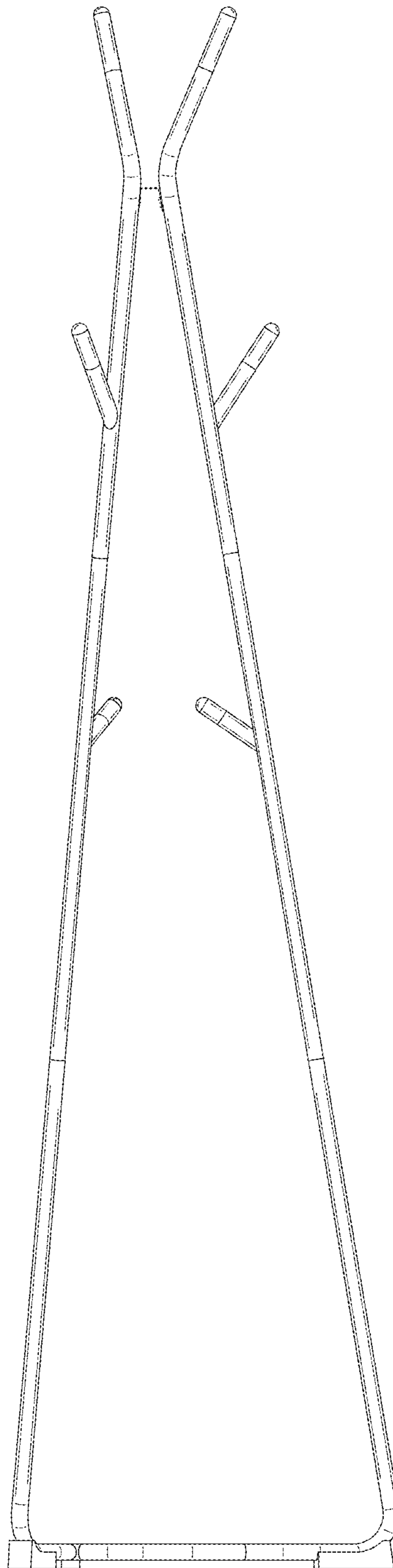


FIG.4

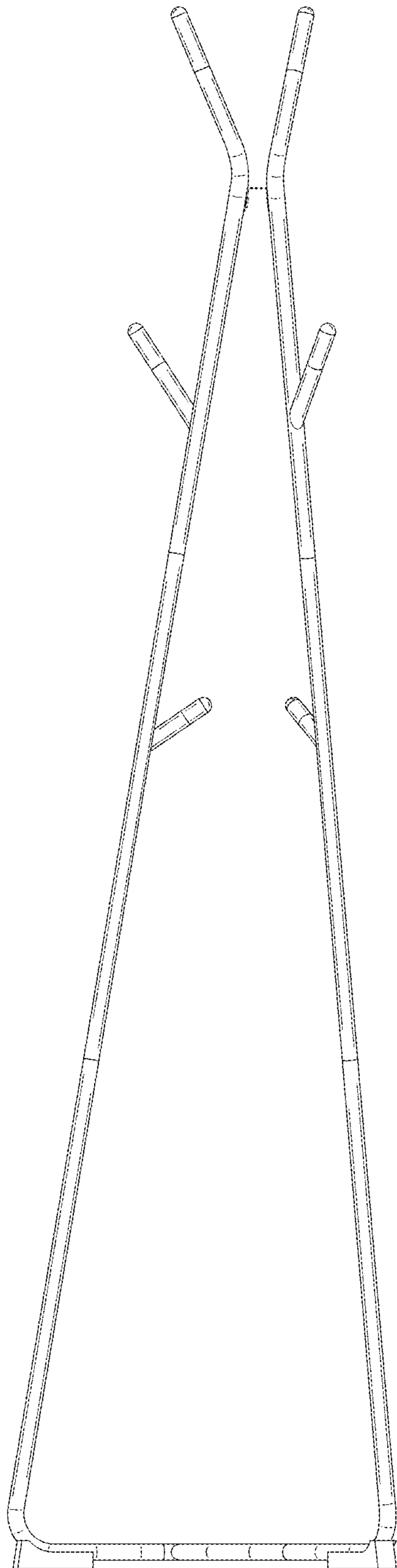


FIG. 5

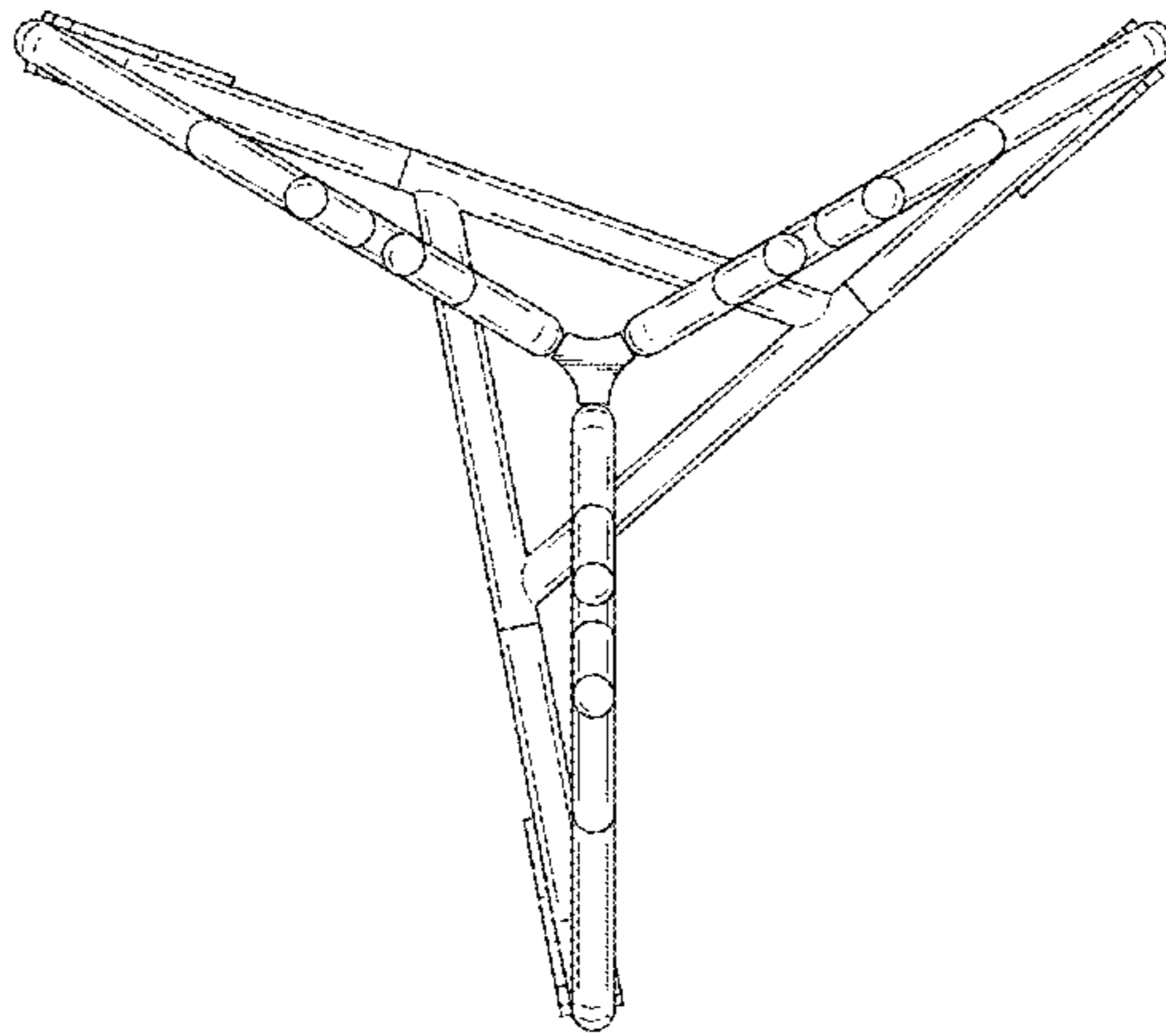


FIG. 6

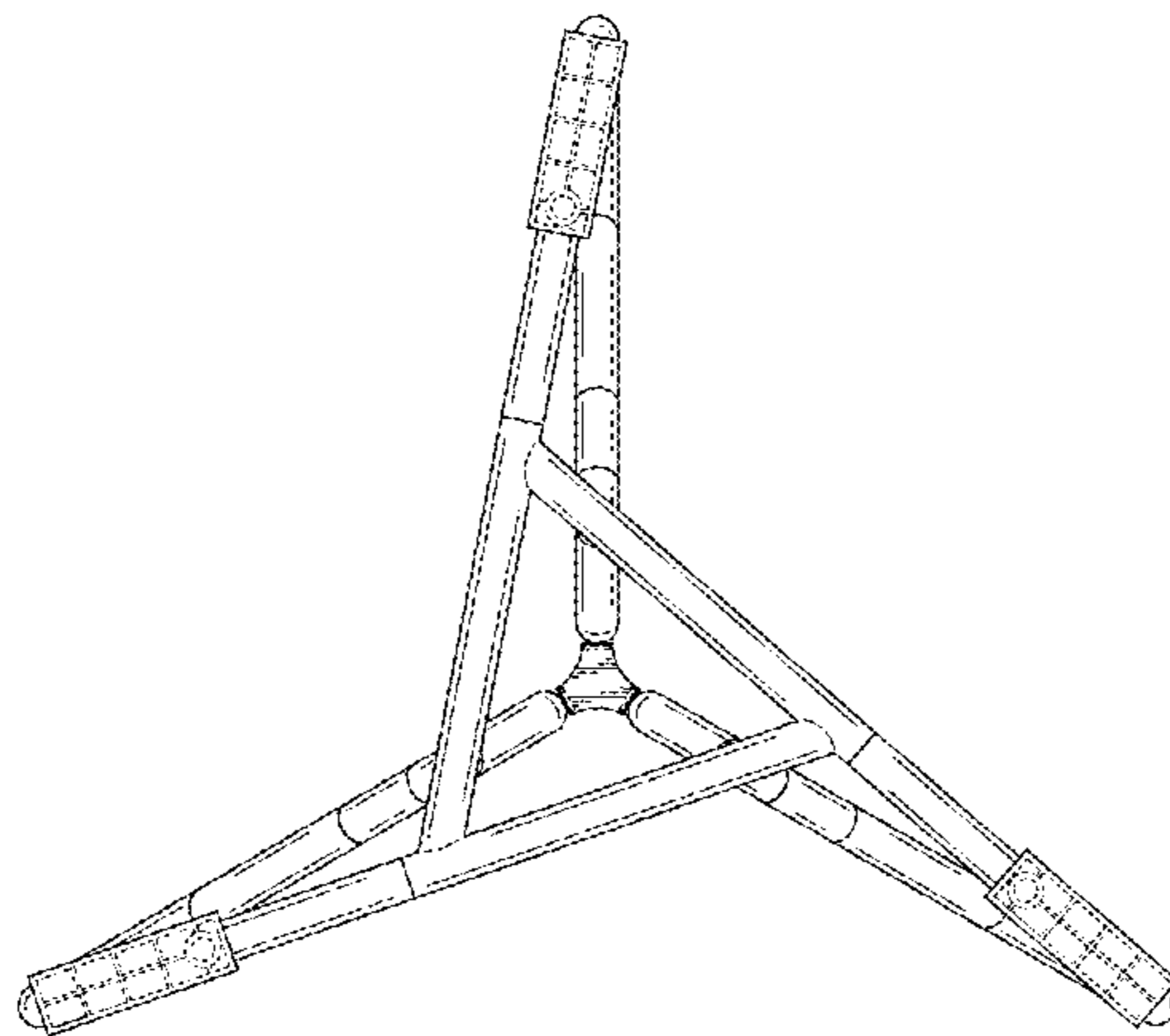


FIG. 7