



US00D885808S

(12) **United States Design Patent**  
**Chapuis et al.**

(10) **Patent No.:** **US D885,808 S**  
(45) **Date of Patent:** **\*\* Jun. 2, 2020**

(54) **PORTION OF A RETAIL DISPLAY**

D411,889 S 7/1999 Risi  
D414,624 S \* 10/1999 Ganz ..... D6/678  
D415,368 S \* 10/1999 Ganz ..... D6/678

(71) Applicant: **June20, Inc.**, Hayward, CA (US)

(Continued)

(72) Inventors: **Paul Chapuis**, Woodside, CA (US);  
**Steven D. Penny**, Oakland, CA (US)

FOREIGN PATENT DOCUMENTS

(73) Assignee: **Converge Retail, Inc.**, Hayward, CA (US)

CN 102334864 A 2/2012  
CN 103653987 A 3/2014

(Continued)

(\*\*) Term: **15 Years**

OTHER PUBLICATIONS

(21) Appl. No.: **29/641,234**

Non-final Office Action dated Sep. 13, 2019, Design U.S. Appl. No. 29/647,762, filed May 15, 2018.

(22) Filed: **Mar. 20, 2018**

(Continued)

(51) **LOC (12) Cl.** ..... **06-06**

(52) **U.S. Cl.**

USPC ..... **D6/675.4**

(58) **Field of Classification Search**

USPC .... D6/675, 675.1, 675.4; D7/589, 590, 601, D7/602

CPC ..... A47F 5/00; A47F 5/0018; A47F 5/0043; A47F 7/0007; A47F 7/0014; B65D 21/0235; B65G 1/00; A47B 53/00; A47B 53/02

See application file for complete search history.

*Primary Examiner* — Kelley A Donnelly

(74) *Attorney, Agent, or Firm* — Vierra Magen Marcus LLP

(57) **CLAIM**

The ornamental design of a portion of a retail display, as shown and described.

(56) **References Cited**

**DESCRIPTION**

U.S. PATENT DOCUMENTS

- D110,571 S 7/1938 McCoy et al.
- 3,034,254 A 5/1962 Godtfred
- D220,766 S 5/1971 Miller et al.
- D243,891 S \* 4/1977 Snyder ..... D6/675.2
- D292,839 S 11/1987 Brogdon
- D293,986 S \* 2/1988 Raufeisen ..... D6/661.2
- D304,133 S 10/1989 Casselman
- D318,200 S 7/1991 Opp et al.
- D326,197 S 5/1992 Heiligenthal et al.
- D343,715 S 1/1994 DeGrazia et al.
- D357,603 S 4/1995 Wolff
- D379,470 S 5/1997 Gilbert
- D403,832 S 1/1999 Gerke
- D410,352 S 6/1999 Fore

FIG. 1 is a front perspective view of a portion of a retail display.

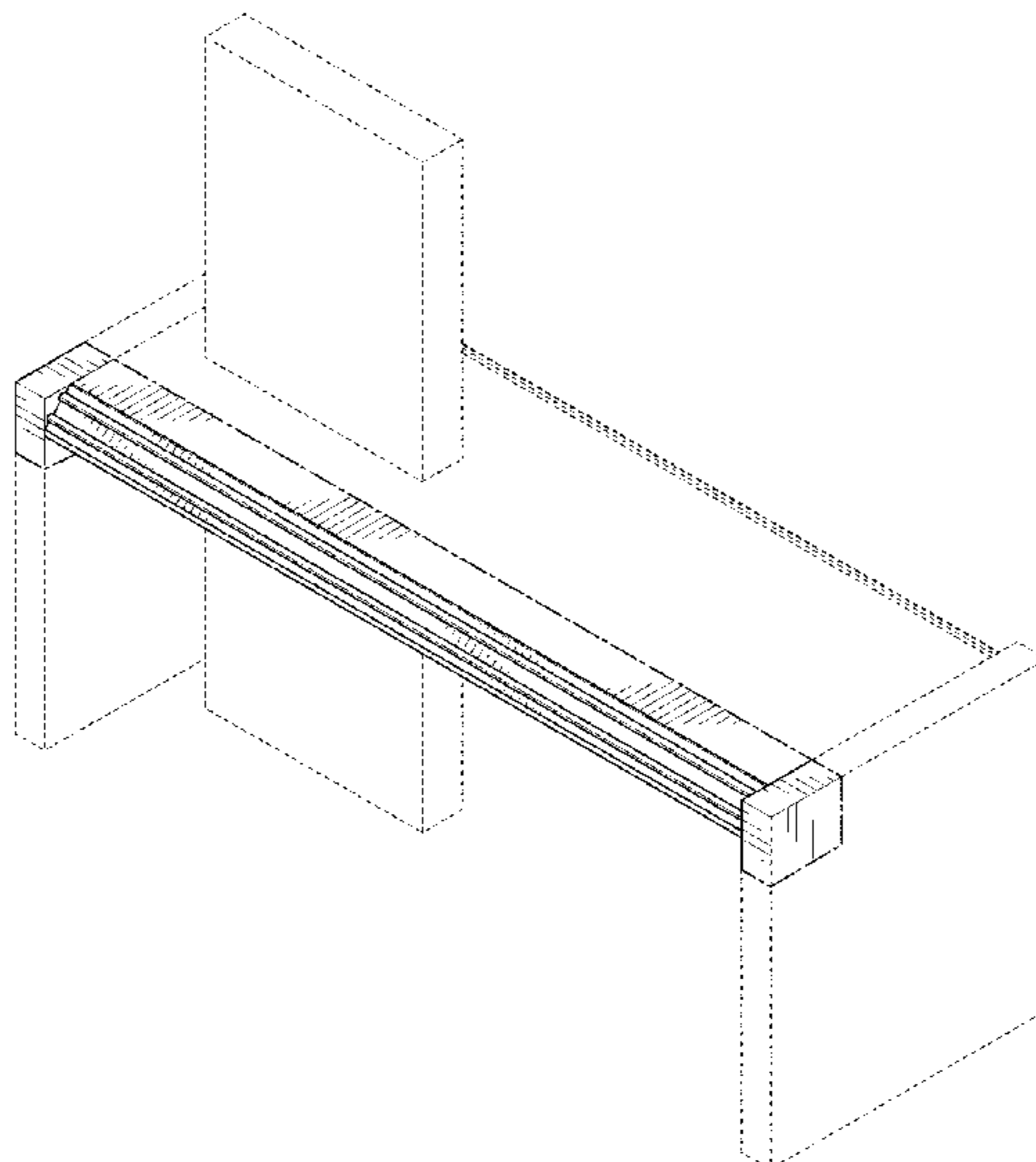
FIG. 2 is a front elevation view the portion of the retail display.

FIG. 3 is a top view of the portion of the retail display; and, FIG. 4 is a right side view of the portion of the retail display. A left side view of the portion of the retail display is a mirror image of FIG. 4.

In the drawings, the dot-dash broken lines represent the boundary between claimed and unclaimed subject matter.

In the drawings, the dash-dash broken lines represent unclaimed subject matter.

**1 Claim, 3 Drawing Sheets**



(56)

References Cited

U.S. PATENT DOCUMENTS

D419,795 S \* 2/2000 Ganz ..... D6/678  
 D425,440 S 5/2000 Franklin  
 D451,305 S 12/2001 Chang et al.  
 D463,181 S 9/2002 Patik  
 D463,696 S 10/2002 Patik  
 D469,272 S \* 1/2003 Werner ..... D6/662.1  
 D471,693 S 3/2003 Wolff  
 6,623,206 B1 9/2003 Blair et al.  
 D481,767 S 11/2003 May et al.  
 6,712,433 B2 3/2004 Hellwig et al.  
 D497,399 S 10/2004 May et al.  
 D499,773 S 12/2004 May et al.  
 6,837,130 B2 1/2005 Turner et al.  
 D516,734 S 3/2006 Keys et al.  
 D534,011 S 12/2006 Stevens  
 D539,436 S 3/2007 Magliocco et al.  
 D548,367 S 8/2007 Price  
 D553,531 S 10/2007 Enersen  
 D584,529 S \* 1/2009 Neff ..... D6/675.4  
 D584,902 S \* 1/2009 Neff ..... D6/657  
 D591,083 S 4/2009 Singler et al.  
 D591,979 S 5/2009 Singler et al.  
 7,701,339 B2 4/2010 Irmscher et al.  
 D635,468 S 4/2011 Buitrago  
 D635,469 S 4/2011 Buitrago  
 D642,824 S \* 8/2011 Theisen ..... D6/675  
 D643,234 S 8/2011 Daino  
 D645,282 S 9/2011 Daino  
 D661,866 S 6/2012 Asakura  
 D665,513 S 8/2012 Engel  
 8,401,915 B1 3/2013 Kim  
 D680,176 S 4/2013 Chin  
 D685,978 S 7/2013 Jani et al.  
 D688,439 S 8/2013 Jani et al.  
 8,733,063 B2 5/2014 Song et al.  
 8,752,718 B2 6/2014 Stukenberg et al.  
 D713,658 S 9/2014 Tio et al.  
 D727,666 S 4/2015 Wagemans et al.  
 D732,853 S 6/2015 Engebretson  
 D734,965 S 7/2015 Tio et al.  
 D736,020 S 8/2015 Martell et al.  
 D740,595 S 10/2015 Kim et al.  
 D741,091 S 10/2015 Tio et al.  
 D744,770 S \* 12/2015 Middendorf ..... D6/662.1  
 D756,062 S 5/2016 Fernandez et al.  
 D758,773 S 6/2016 Kim et al.  
 9,395,037 B2 7/2016 Ballhatchet  
 D769,651 S 10/2016 Tio et al.  
 D770,203 S 11/2016 Thaler et al.  
 D785,994 S \* 5/2017 Brown ..... D6/675.3  
 D787,239 S 5/2017 Denby et al.  
 D790,261 S 6/2017 Rogers  
 9,687,090 B2 6/2017 Ireland et al.  
 D796,234 S 9/2017 Thaler et al.  
 D806,447 S 1/2018 Burton et al.  
 D806,448 S \* 1/2018 Burton ..... D6/657  
 D807,086 S 1/2018 Tio et al.  
 D812,946 S 3/2018 Chang et al.  
 D815,864 S 4/2018 Burton et al.

D832,365 S 10/2018 Williams et al.  
 D833,541 S 11/2018 Barwald et al.  
 D842,632 S \* 3/2019 Fenimore ..... D6/682  
 D846,156 S 4/2019 von Langsdorff  
 D858,651 S 9/2019 Barwald et al.  
 D865,413 S \* 11/2019 Chapuis ..... D6/675  
 D866,226 S \* 11/2019 Burton ..... D6/672  
 D867,037 S \* 11/2019 Brugger ..... D6/675.1  
 2009/0109130 A1 4/2009 Murphy et al.  
 2011/0187531 A1 8/2011 Oehl et al.  
 2012/0005222 A1 1/2012 Bhagwan et al.  
 2012/0232937 A1 9/2012 Calman et al.  
 2013/0117153 A1 5/2013 Shen  
 2014/0310056 A1 10/2014 Alapati et al.  
 2015/0173528 A1 \* 6/2015 Hester-Redmond ..... A47F 5/08  
 211/26  
 2015/0371321 A1 12/2015 Chapuis  
 2018/0365642 A1 \* 12/2018 Bonner ..... G06Q 10/0836

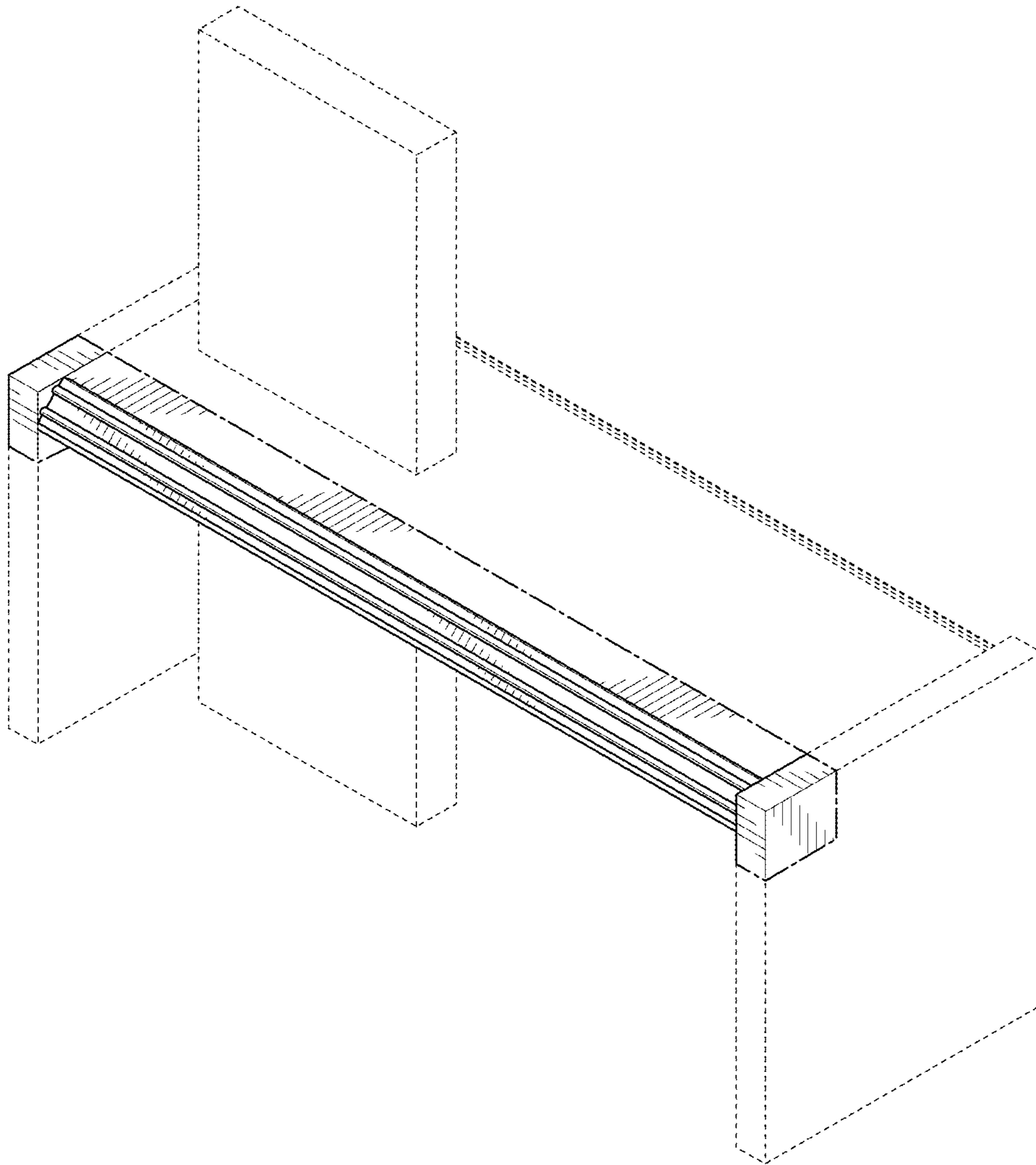
FOREIGN PATENT DOCUMENTS

CN	204599980 U	9/2015
CN	304176357 S	6/2017
FR	992836-004	8/1999
JP	2005204815 A	8/2005
KR	10-20130023520 A	3/2013
RO	016582-0001	3/2006
RU	59706	7/2006
WO	D082444-002	4/2014

OTHER PUBLICATIONS

Design U.S. Appl. No. 29/639,664, filed Mar. 7, 2018.  
 Design U.S. Appl. No. 29/641,209, filed Mar. 20, 2018.  
 Design U.S. Appl. No. 29/639,665, filed Mar. 7, 2018.  
 Design U.S. Appl. No. 29/641,252, filed Mar. 20, 2018.  
 Design U.S. Appl. No. 29/640,276, filed Mar. 13, 2018.  
 Design U.S. Appl. No. 29/639,666, filed Mar. 7, 2018.  
 Versa Products, Inc., "Versa Center", <https://www.versatables.com/education/versa-center/>, retrieved May 30, 2018.  
 Gartner, "Sliding Monitors", <https://web.archive.org/web/20130607163354/http://www.michaelgartner.com/>, dated by web.archive.org at Jun. 7, 2013, pp. 1-5) Accessed Nov. 21, 2017 (Year: 2013).  
 JUNE20, Inc., Test Display at Sam's Club, May, 2016, Arkansas, US.  
 JUNE20, Inc., Test Display at Staples, Dec. 2015, Canada.  
 Mike Quinn, LinkedIn.com page, image of post "LM76 Whipser Slide Technology" WSP2 retrieved from Feb. 2, 2018.  
 Design U.S. Appl. No. 29/647,762, filed May 15, 2018.  
 Design U.S. Appl. No. 29/647,768, filed May 15, 2018.  
 Office Action dated May 23, 2018 in U.S. Appl. No. 29/639,664, filed Mar. 7, 20180.  
 Notice of Allowance dated Aug. 8, 2019, U.S. Appl. No. 29/647,768, filed May 15, 2018.  
 Non-final Office Action dated Feb. 3, 2020, U.S. Appl. No. 29/647,762 filed May 15, 2018.

\* cited by examiner



**FIG. 1**

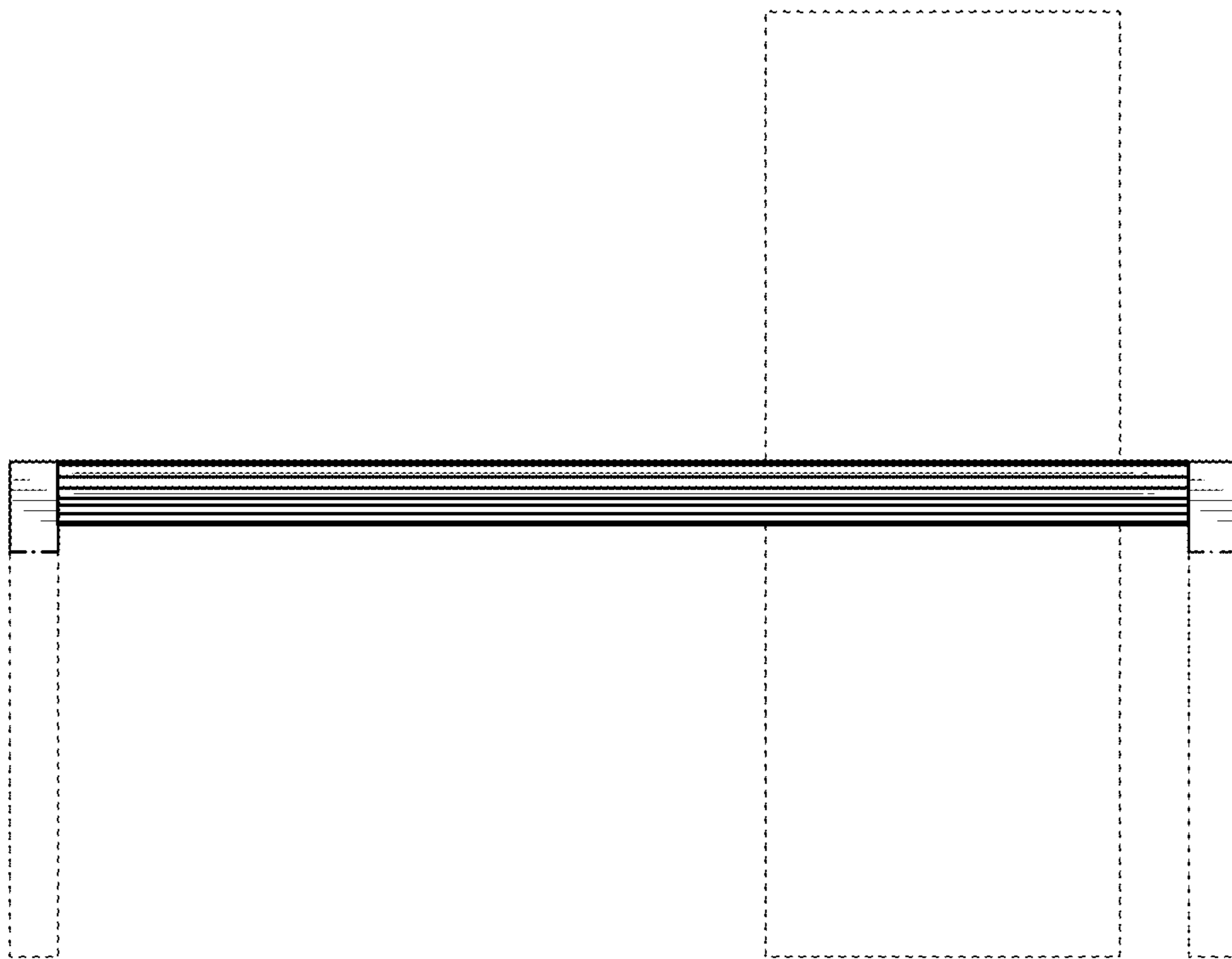


FIG. 2

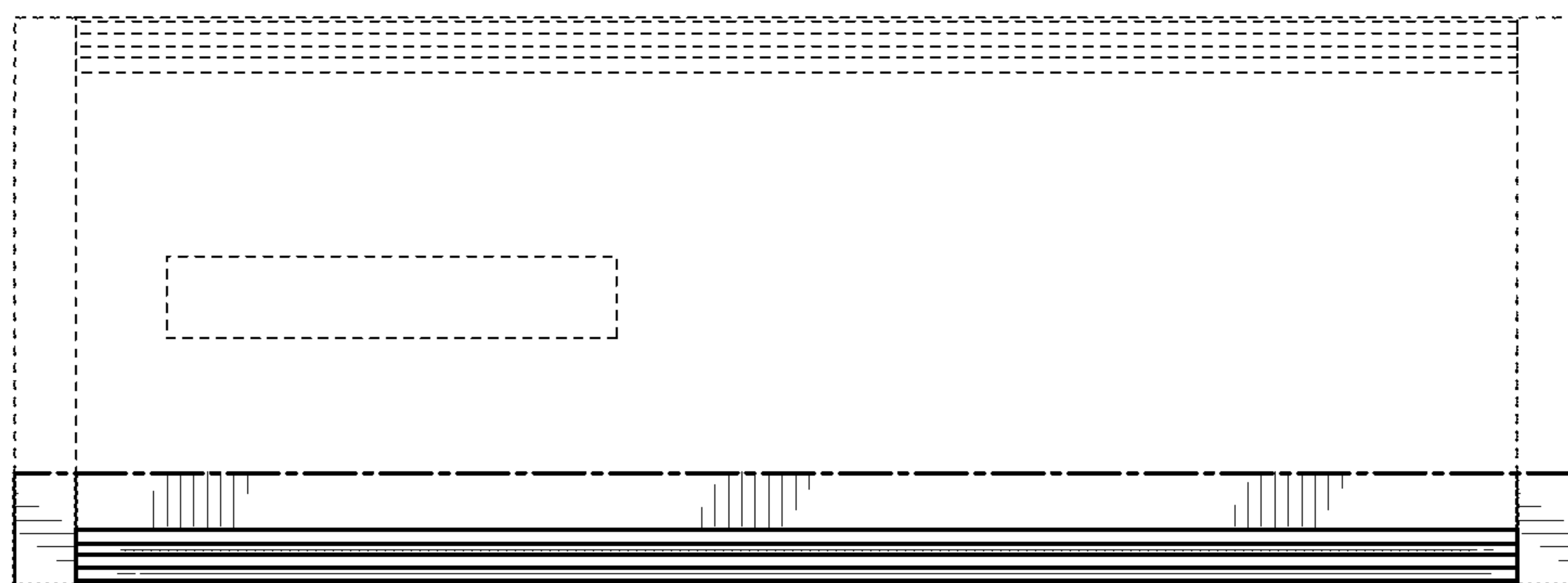
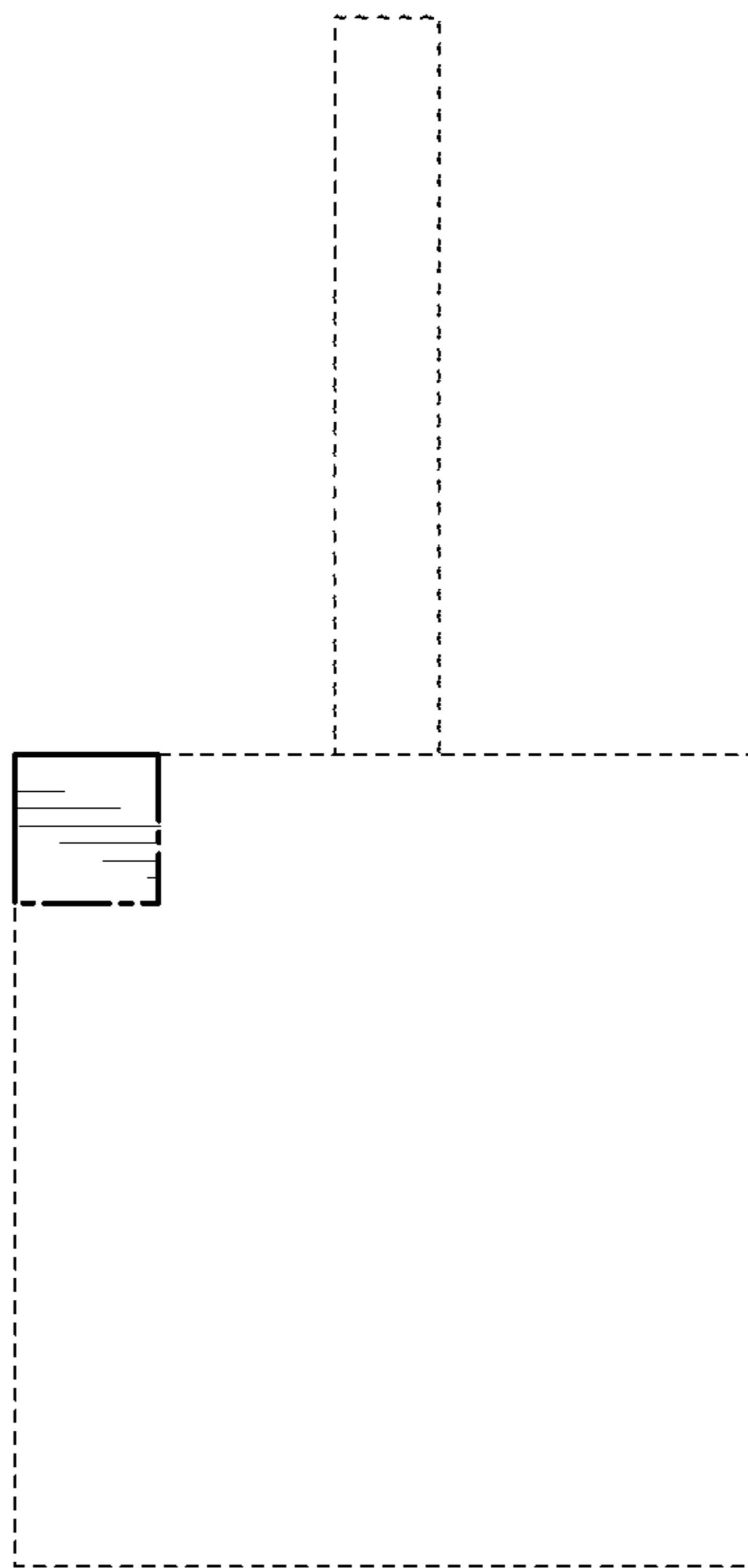


FIG. 3



**FIG. 4**