



US00D885806S

(12) **United States Design Patent**
Rockwell et al.

(10) **Patent No.:** **US D885,806 S**
(45) **Date of Patent:** **** Jun. 2, 2020**

- (54) **CART**
- (71) Applicant: **Knoll, Inc.**, East Greenville, PA (US)
- (72) Inventors: **David Rockwell**, New York, NY (US);
Barry Richards, New York, NY (US)
- (73) Assignee: **Knoll, Inc.**, East Greenville, PA (US)
- (**) Term: **15 Years**
- (21) Appl. No.: **29/704,393**
- (22) Filed: **Sep. 4, 2019**

- D334,495 S 4/1993 Bustos
- D350,246 S 9/1994 Louise et al.
- D357,781 S 4/1995 Crinion
- D363,623 S 10/1995 Rushing
- D400,375 S 11/1998 Peng-Hui
- D405,578 S 2/1999 Shumake
- D410,127 S 5/1999 Colombar
- D415,365 S * 10/1999 Nicklas D6/684
- D459,117 S 6/2002 Singh
- D466,717 S * 12/2002 Cho D6/652.2
- D472,072 S 3/2003 De Carolis
- D479,064 S * 9/2003 Goldberg D6/684
- D491,384 S 6/2004 Lenger
- D493,019 S 7/2004 Lovegrove et al.
- 6,767,019 B2 7/2004 Van Hekken
- D510,168 S 9/2005 Lovegrove et al.
- D543,056 S 5/2007 Chou
- D586,584 S * 2/2009 Hung D6/661
- D591,086 S 4/2009 Karsson

Related U.S. Application Data

- (62) Division of application No. 29/650,000, filed on Jun. 4, 2018, now Pat. No. Des. 864,627, which is a division of application No. 29/640,589, filed on Mar. 15, 2018, now Pat. No. Des. 864,625.
- (51) **LOC (12) Cl.** **06-06**
- (52) **U.S. Cl.**
USPC **D6/675**
- (58) **Field of Classification Search**
USPC D6/672, 675, 675.1, 675.2, 675.3, 675.4,
D6/675.5
CPC A47F 1/00; A47B 96/00; A47B 96/02;
A47B 47/00; A47B 47/021
See application file for complete search history.

References Cited

U.S. PATENT DOCUMENTS

- D42,180 S 2/1912 Yesbera et al.
- D106,997 S 11/1937 Thompson
- 2,798,617 A 7/1957 Schreiber
- D191,249 S 8/1961 Gardner et al.
- D217,159 S 4/1970 Levy
- 4,035,941 A 7/1977 Deffner
- D299,797 S 2/1989 Walter

(Continued)

Primary Examiner — Kelley A Donnelly

(74) *Attorney, Agent, or Firm* — Buchanan Ingersoll & Rooney PC

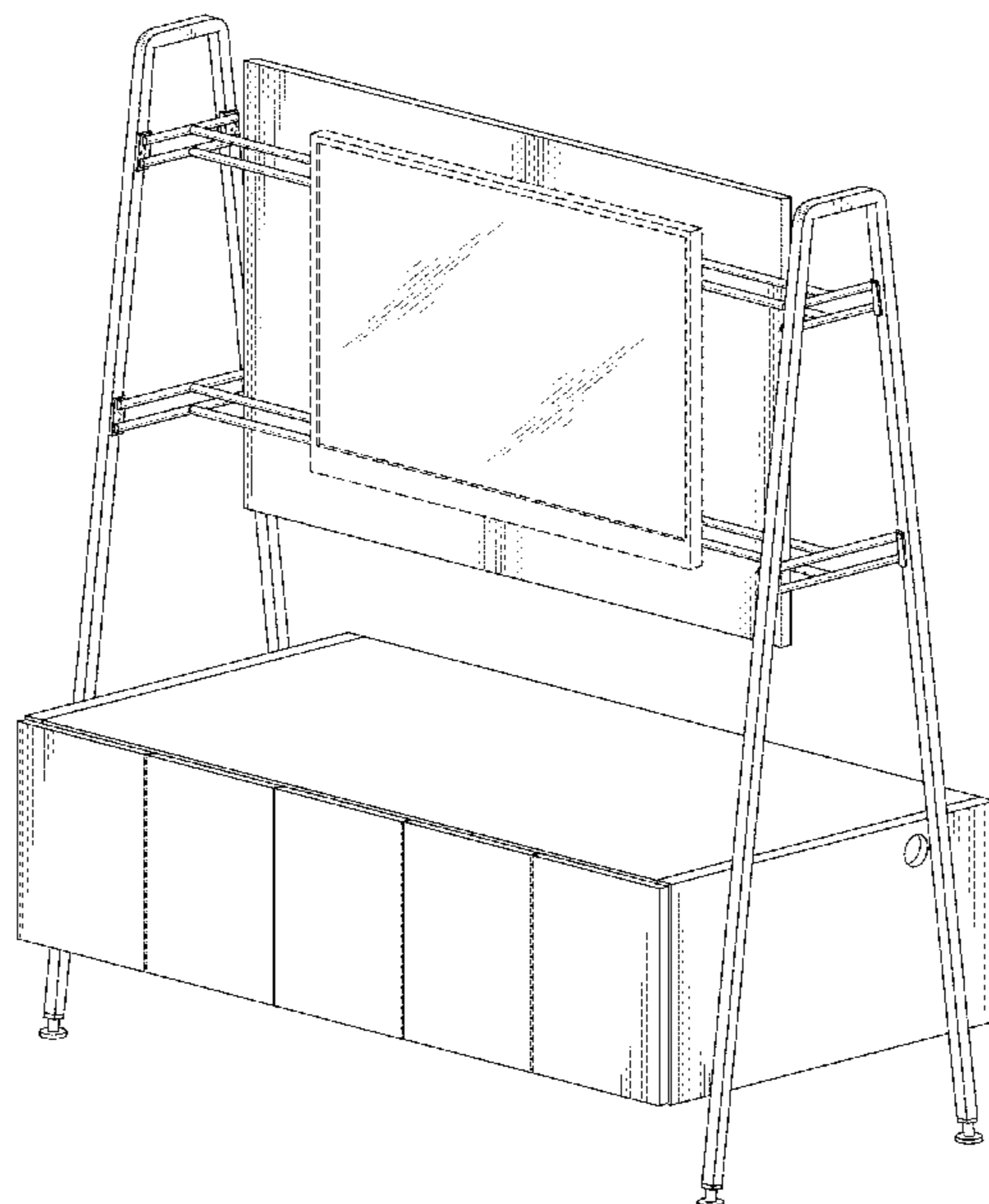
(57) **CLAIM**

The ornamental design for a cart, as shown and described.

DESCRIPTION

FIG. 1 is a front, perspective view of a cart showing our new design;
 FIG. 2 is a rear, perspective view thereof;
 FIG. 3 is a front elevational view thereof;
 FIG. 4 is a rear elevational view thereof;
 FIG. 5 is a top plan view thereof;
 FIG. 6 is a bottom plan view thereof;
 FIG. 7 is a left side elevational view thereof; and,
 FIG. 8 is a right side elevational view thereof.
 The broken lines shown in the drawing Figures illustrate portions of the cart that form no part of the claimed design.

1 Claim, 7 Drawing Sheets



(56)

References Cited

U.S. PATENT DOCUMENTS

D591,533	S	5/2009	Karsson	
D631,680	S	* 2/2011	Walsh	D6/675.1
8,528,919	B2	9/2013	Webster et al.	
D697,285	S	1/2014	Greenspon	
D706,064	S	6/2014	Ota et al.	
D774,333	S	* 12/2016	Pace	D6/675.3
D792,048	S	7/2017	Kitajima	
D802,341	S	11/2017	Yaraghi	
D805,329	S	12/2017	Rockwell et al.	
D814,735	S	4/2018	Rockwell et al.	
D825,959	S	8/2018	Rockwell et al.	
D831,922	S	10/2018	Melendez	
D843,756	S	3/2019	Johnson et al.	
D862,028	S	* 10/2019	Sainato	D34/21

* cited by examiner

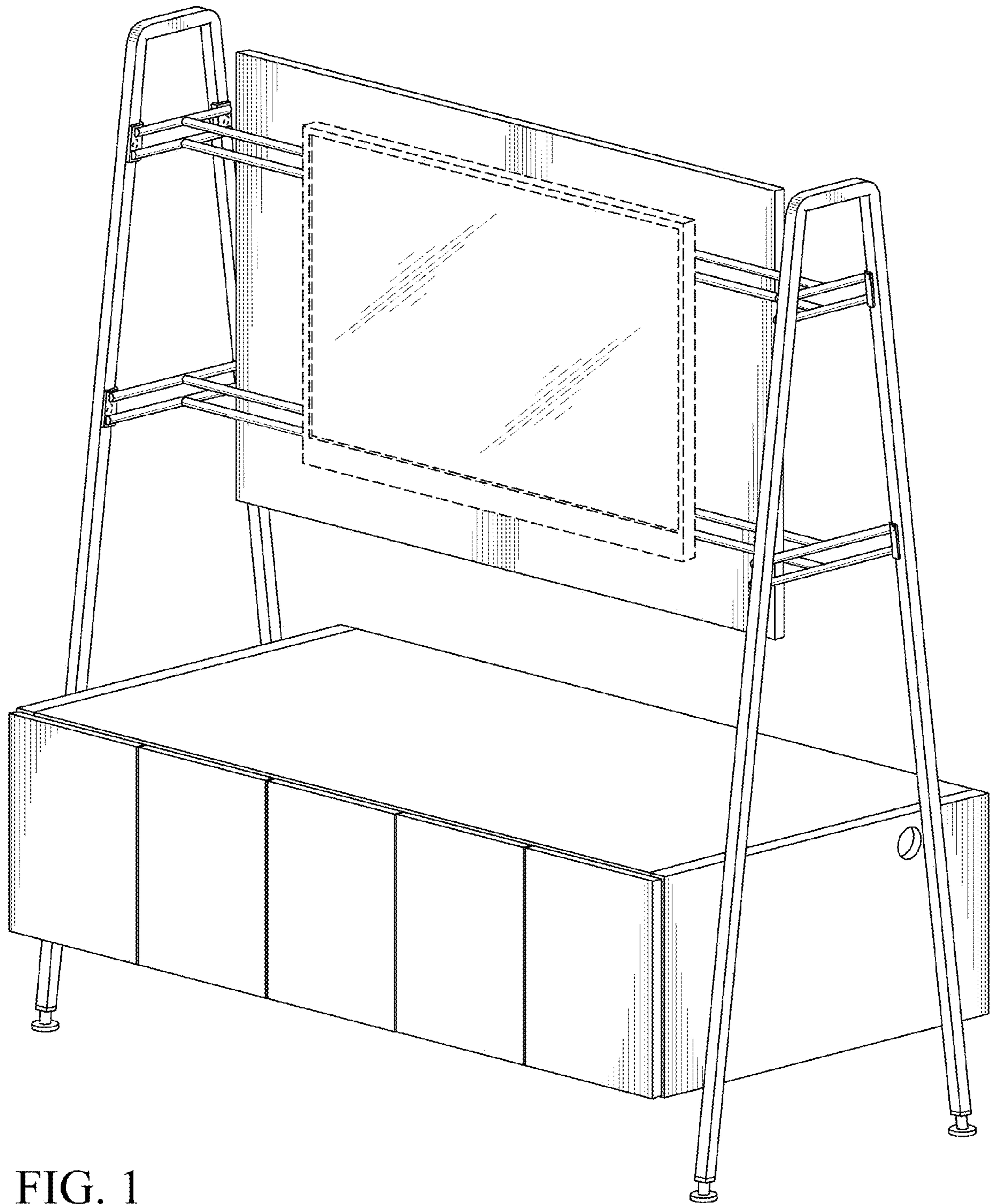


FIG. 1



FIG. 2

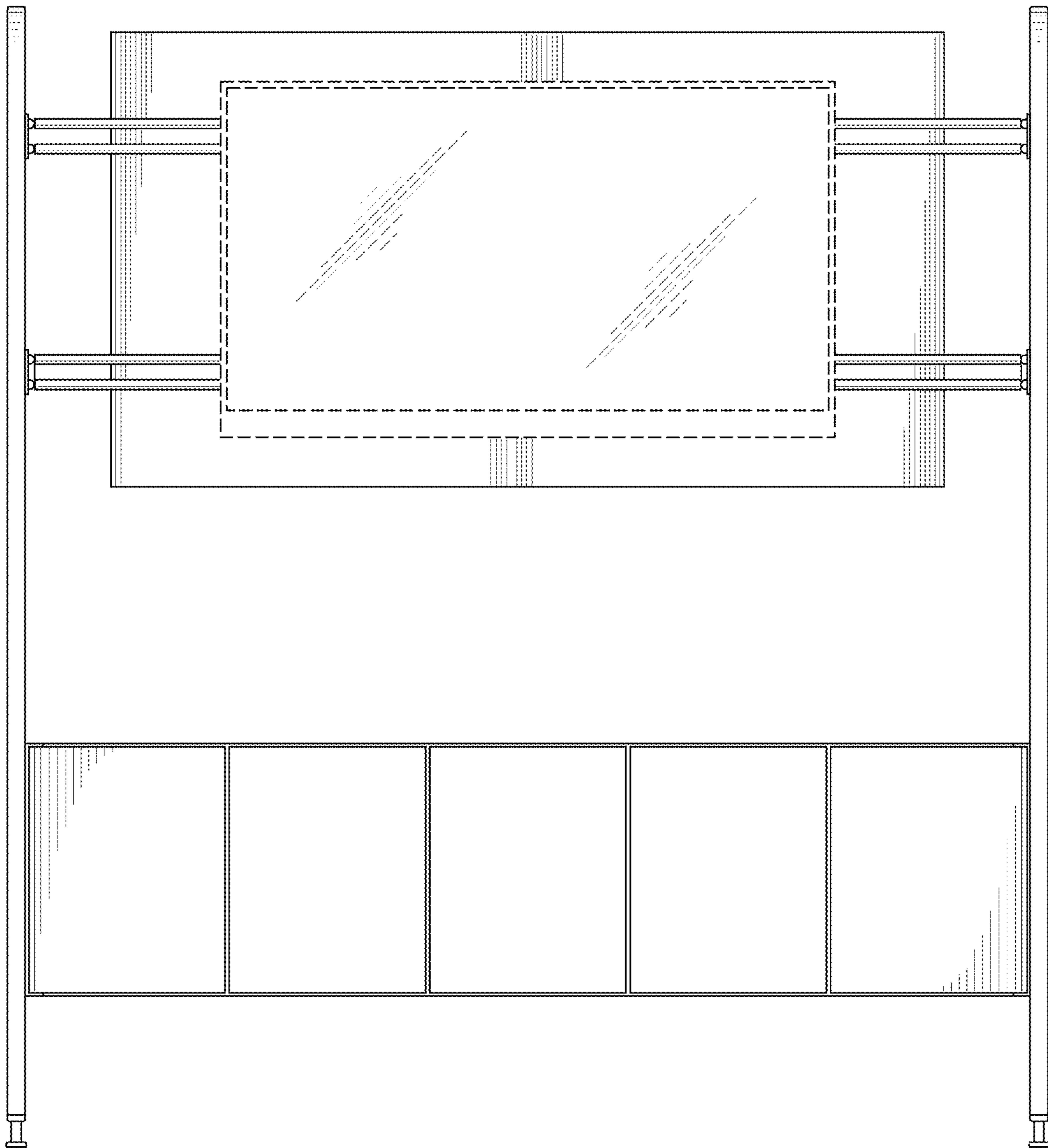


FIG. 3

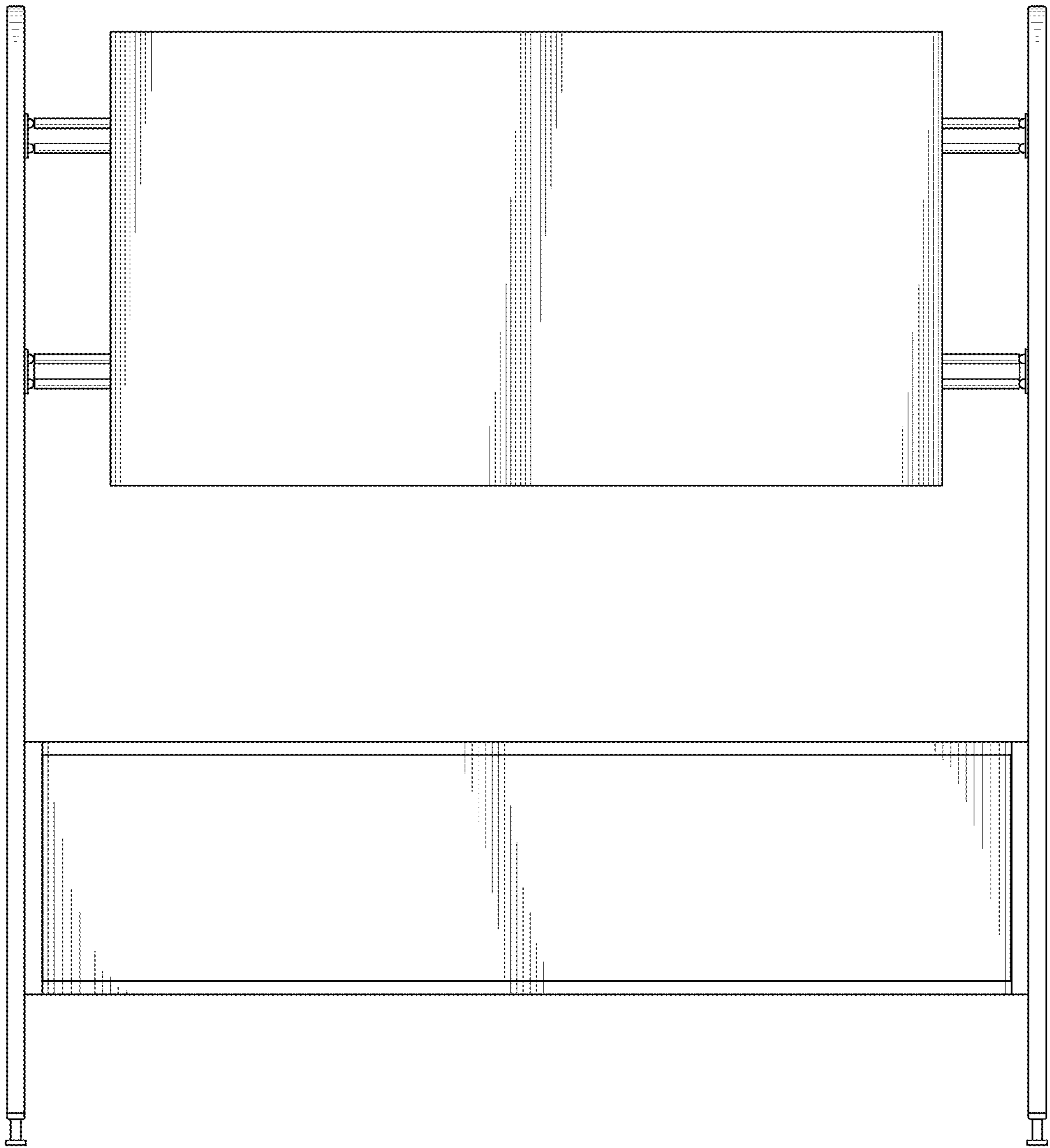


FIG. 4

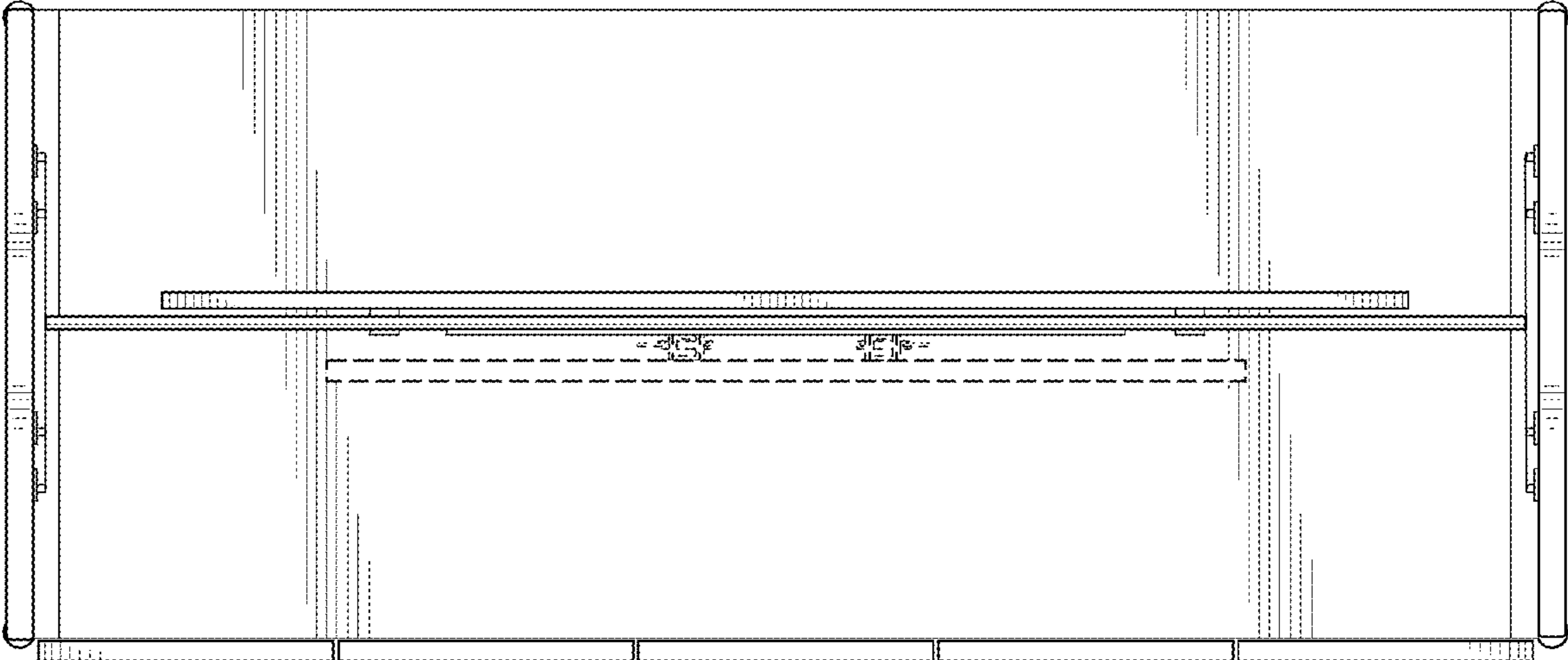


FIG. 5

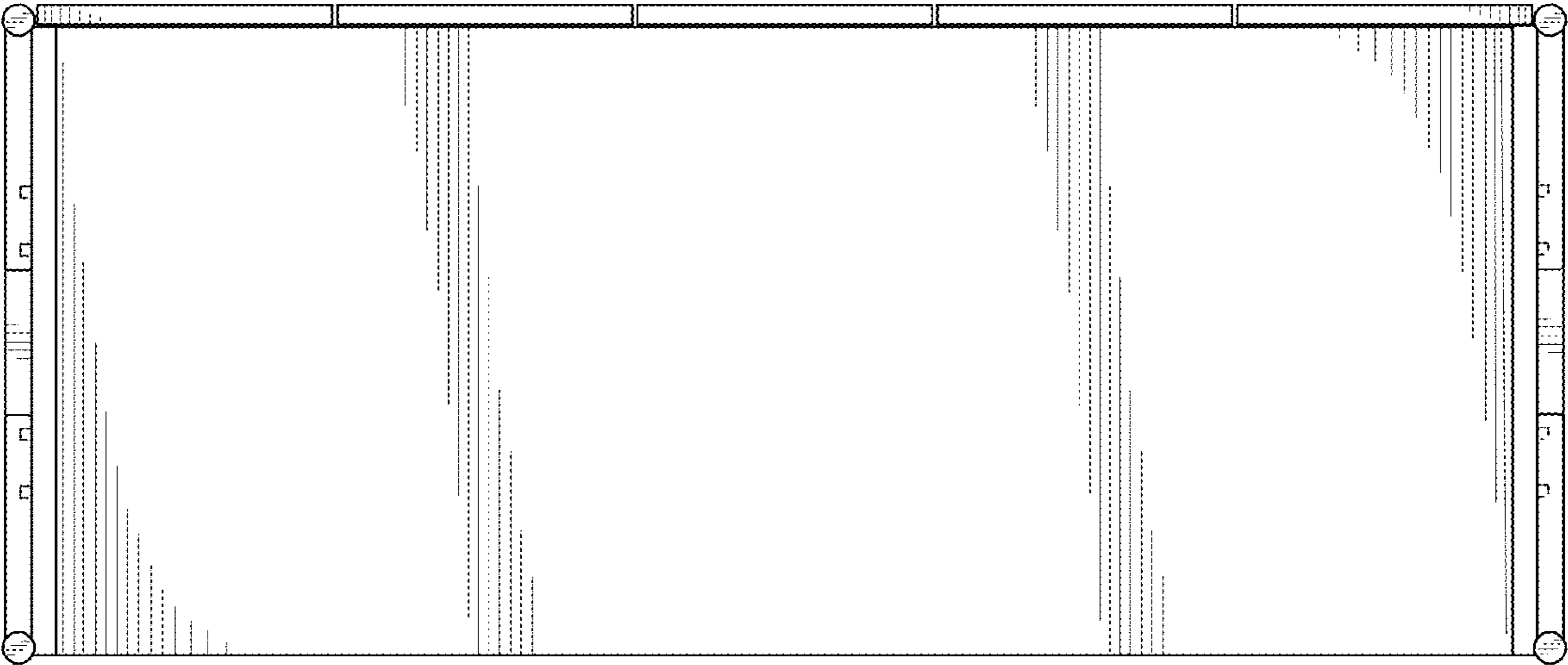


FIG. 6

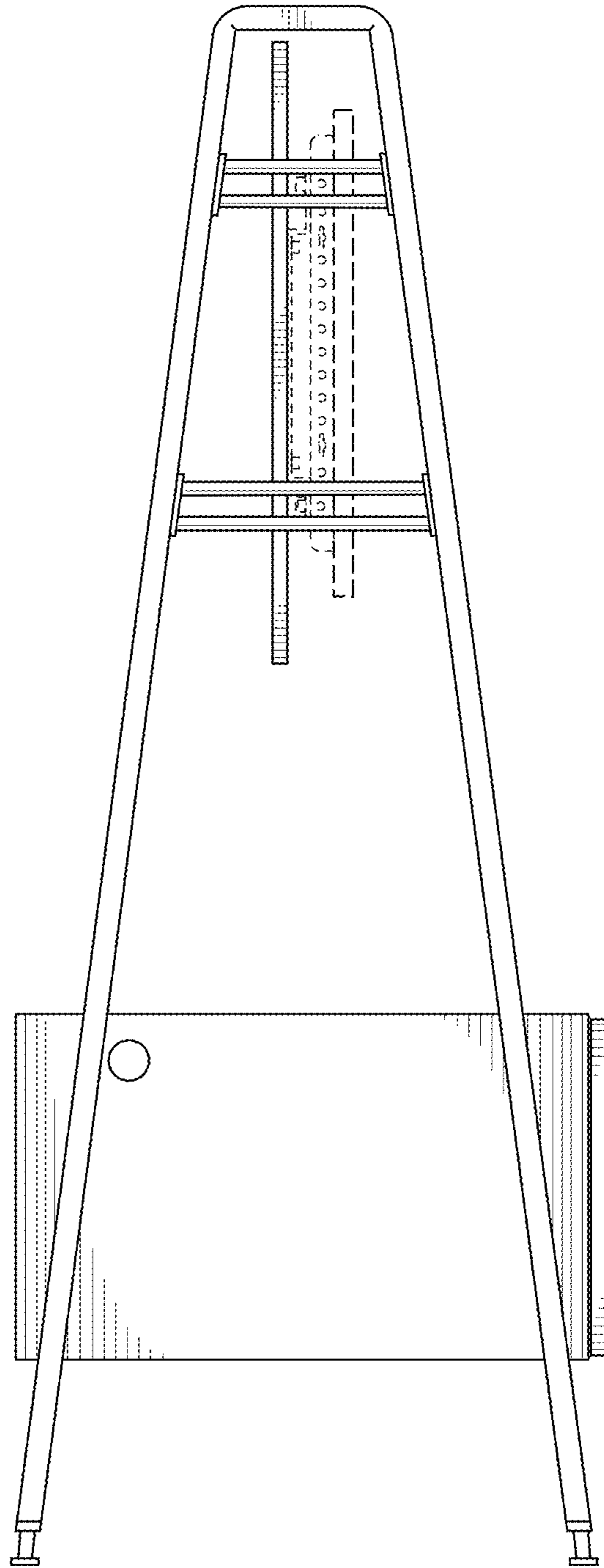


FIG. 7

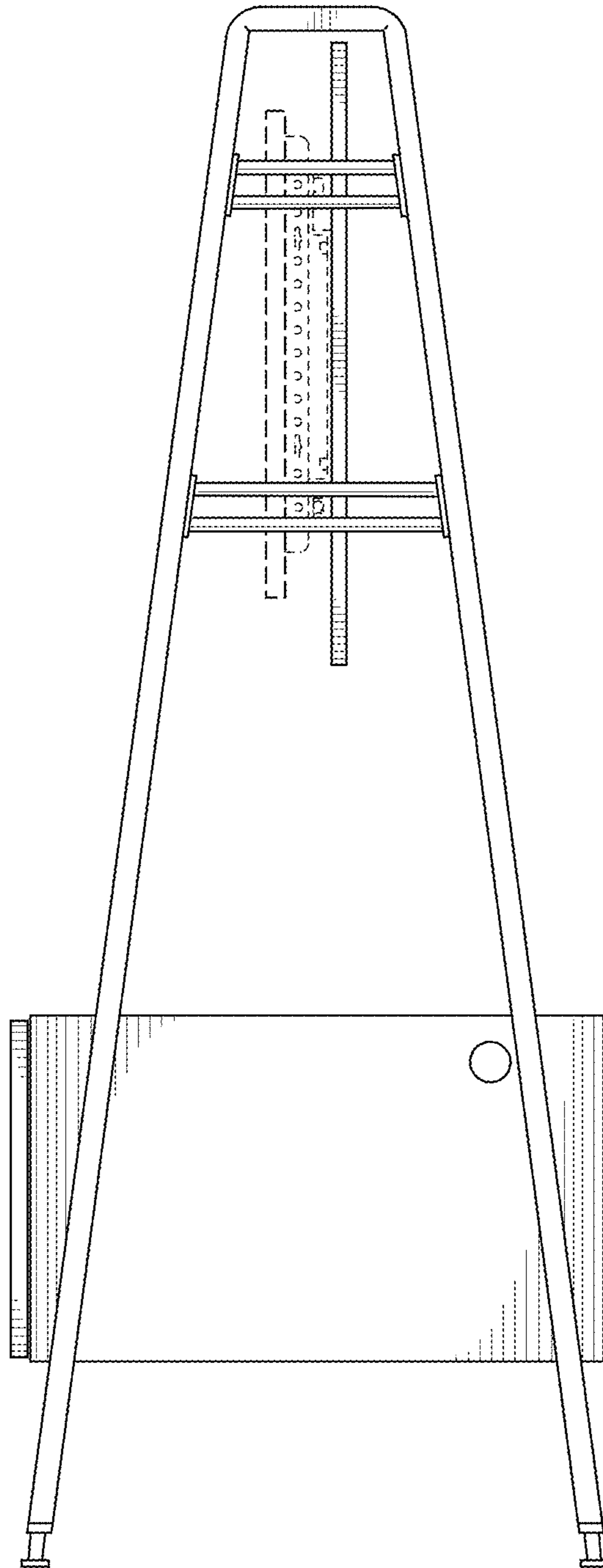


FIG. 8