



US00D885804S

(12) **United States Design Patent**
Ni et al.

(10) **Patent No.:** **US D885,804 S**
(45) **Date of Patent:** **** Jun. 2, 2020**

- (54) **RACK**
- (71) Applicant: **FUJIAN FOISON INTELLIGENT TECHNOLOGY Co., Ltd.**, Fuzhou (CN)
- (72) Inventors: **Zhou min Ni**, Fujian (CN); **Guang Wei Wang**, Fujian (CN)
- (73) Assignee: **FUJIAN FOISON INTELLIGENT TECHNOLOGY CO., LTD.**, Fuzhou (CN)
- (**) Term: **15 Years**
- (21) Appl. No.: **29/637,783**
- (22) Filed: **Feb. 22, 2018**
- (51) **LOC (12) Cl.** **06-06**
- (52) **U.S. Cl.**
USPC **D6/675**
- (58) **Field of Classification Search**
USPC D6/672, 675, 675.1, 705, 705.2, 705.5, D6/705.7
CPC A47B 57/16; A47B 57/22; A47B 96/1458
See application file for complete search history.

- D835,925 S * 12/2018 Denby D6/675
- D848,190 S * 5/2019 Ni D6/705.7
- D853,762 S * 7/2019 Tucker D6/672
- D859,038 S * 9/2019 Davis D6/675
- 2019/0116972 A1* 4/2019 Tao A47B 47/005
- 2019/0246513 A1* 8/2019 Chen A47B 96/07

* cited by examiner

Primary Examiner — Kelley A Donnelly
(74) *Attorney, Agent, or Firm* — JCIPRNET

(57) **CLAIM**

The ornamental design for a rack, as shown and described.

DESCRIPTION

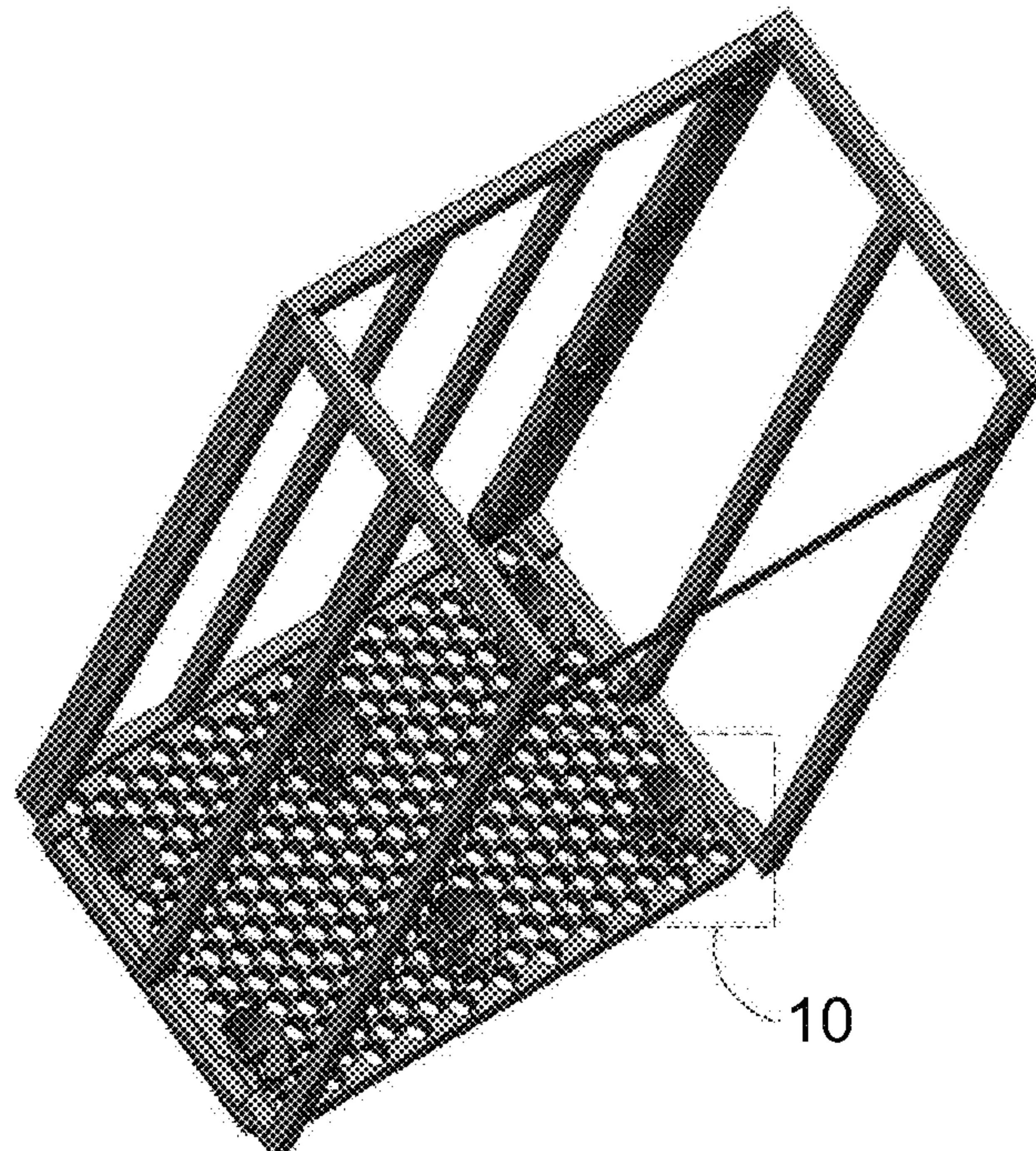
FIG. 1 is a first perspective view of a rack showing our new design;
 FIG. 2 is a second perspective view thereof;
 FIG. 3 is a third perspective view thereof;
 FIG. 4 is a front view thereof;
 FIG. 5 is a rear view thereof;
 FIG. 6 is a left side view thereof;
 FIG. 7 is a right side view thereof;
 FIG. 8 is a top view thereof;
 FIG. 9 is a bottom view thereof;
 FIG. 10 is an enlarged view of an indicated portion in FIG. 1; and,
 FIG. 11 is an enlarged view of an indicated portion in FIG. 3.
 The dot-dashed broken lines in FIGS. 1 and 3 indicate cutoff boundaries for the enlarged view and form no part of the claimed design.

(56) **References Cited**

U.S. PATENT DOCUMENTS

- D475,551 S * 6/2003 Kelso D6/675.5
- D554,899 S * 11/2007 Tsai D6/675
- D617,113 S * 6/2010 Wenning D6/672
- D636,202 S * 4/2011 Boyer D6/566
- D660,749 S * 5/2012 Strayer D12/115
- D692,701 S * 11/2013 Peggs D6/675.1
- D735,871 S * 8/2015 Deardorf D24/183
- D820,012 S * 6/2018 Etterling D6/682

1 Claim, 10 Drawing Sheets



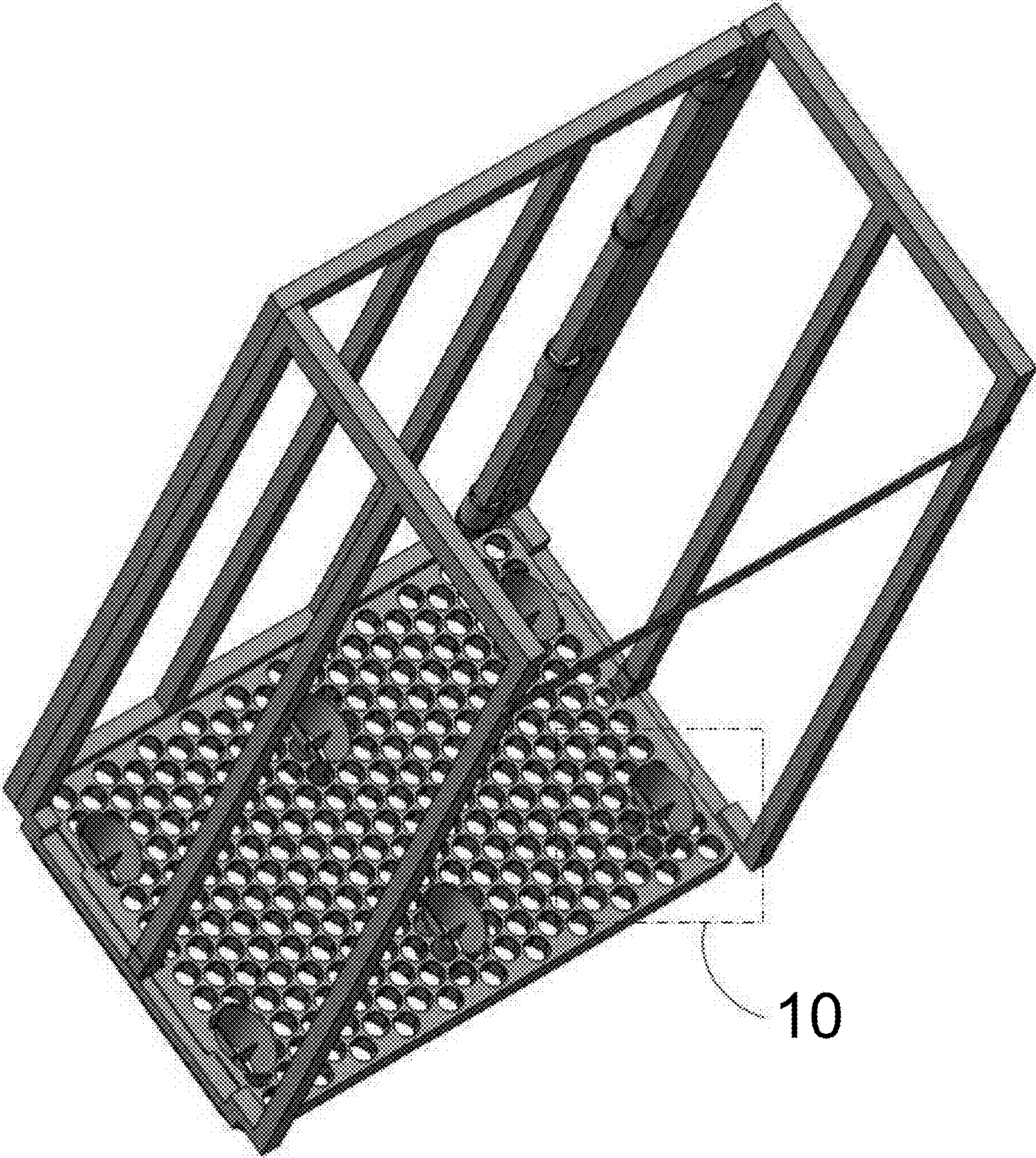


FIG. 1



FIG. 2

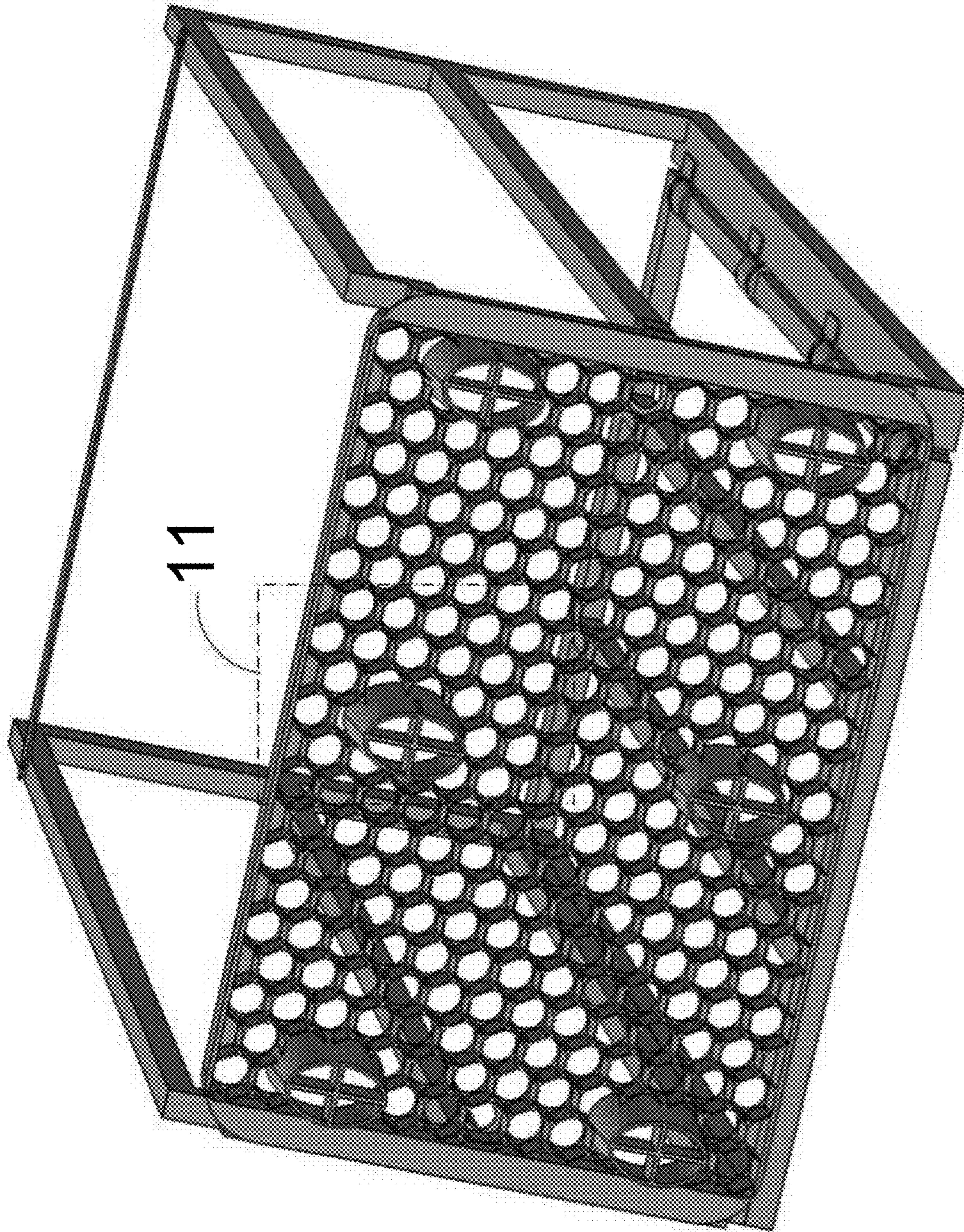


FIG. 3



FIG. 4

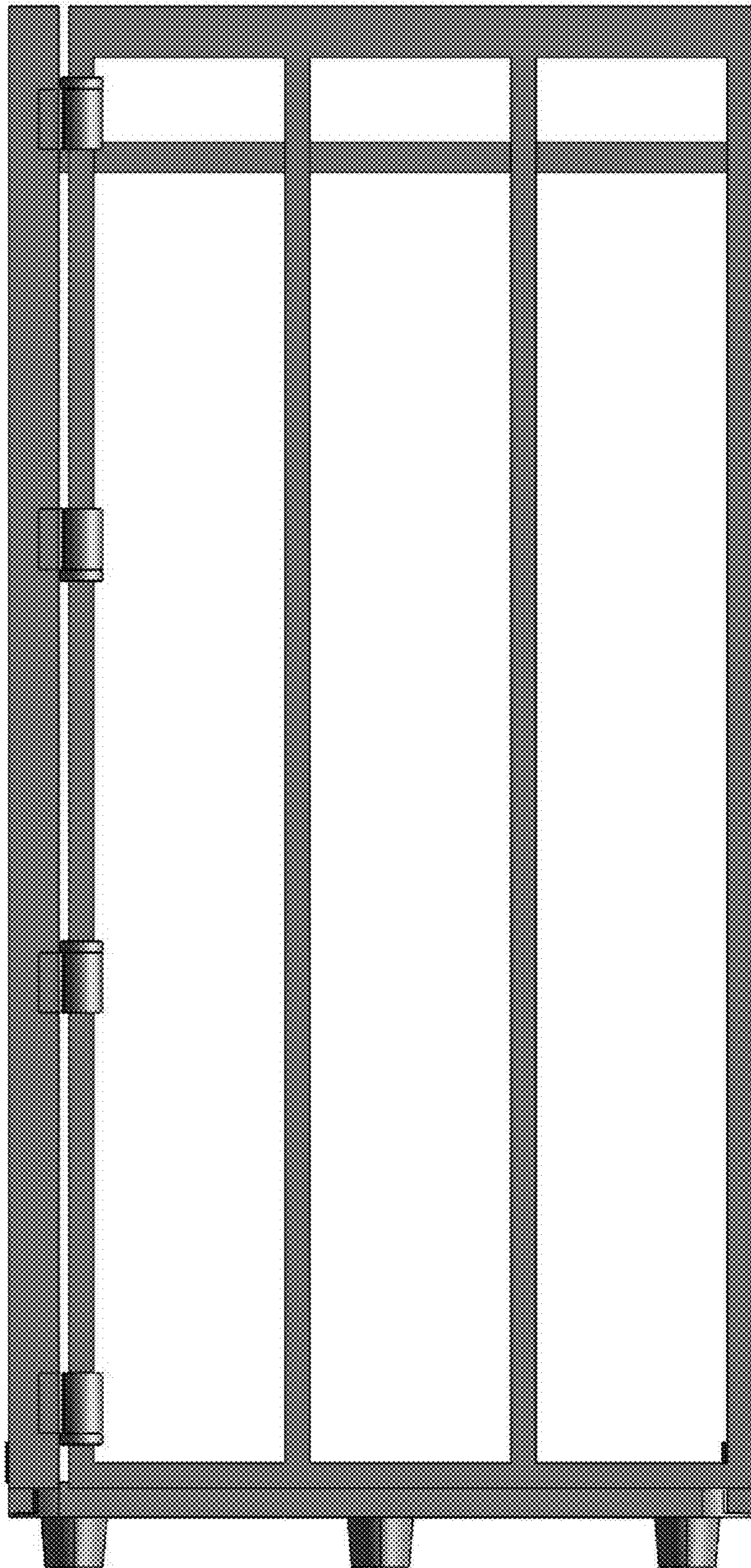


FIG. 5

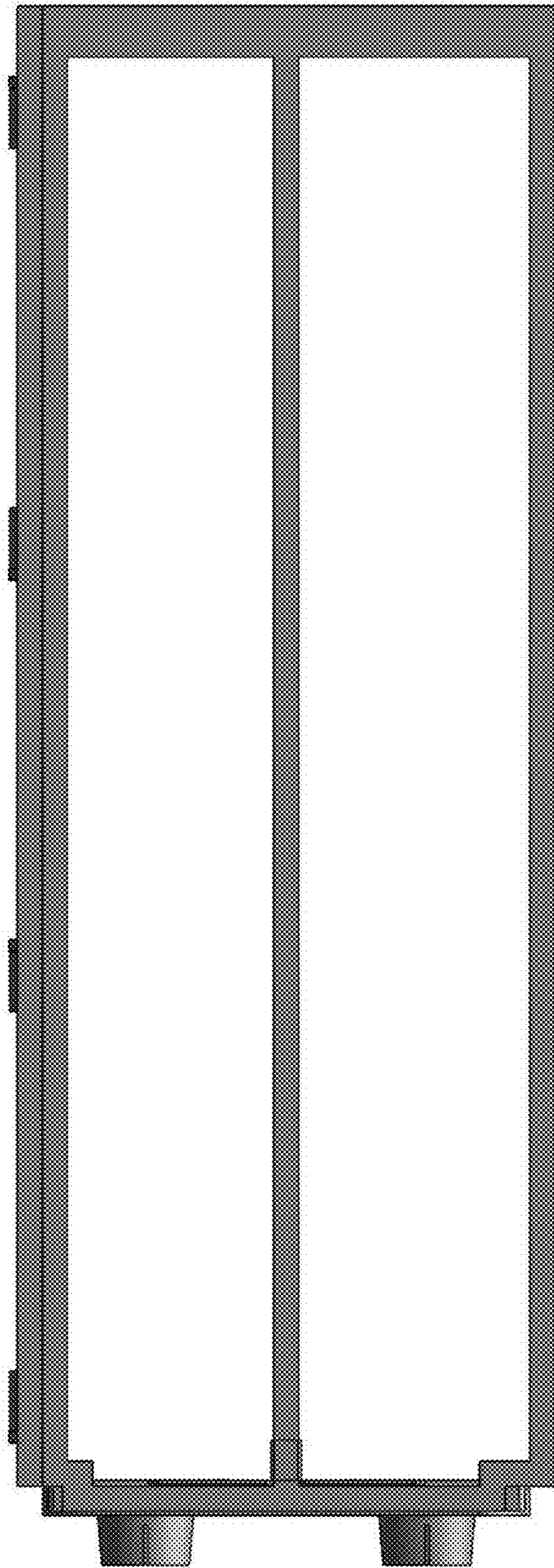


FIG. 6

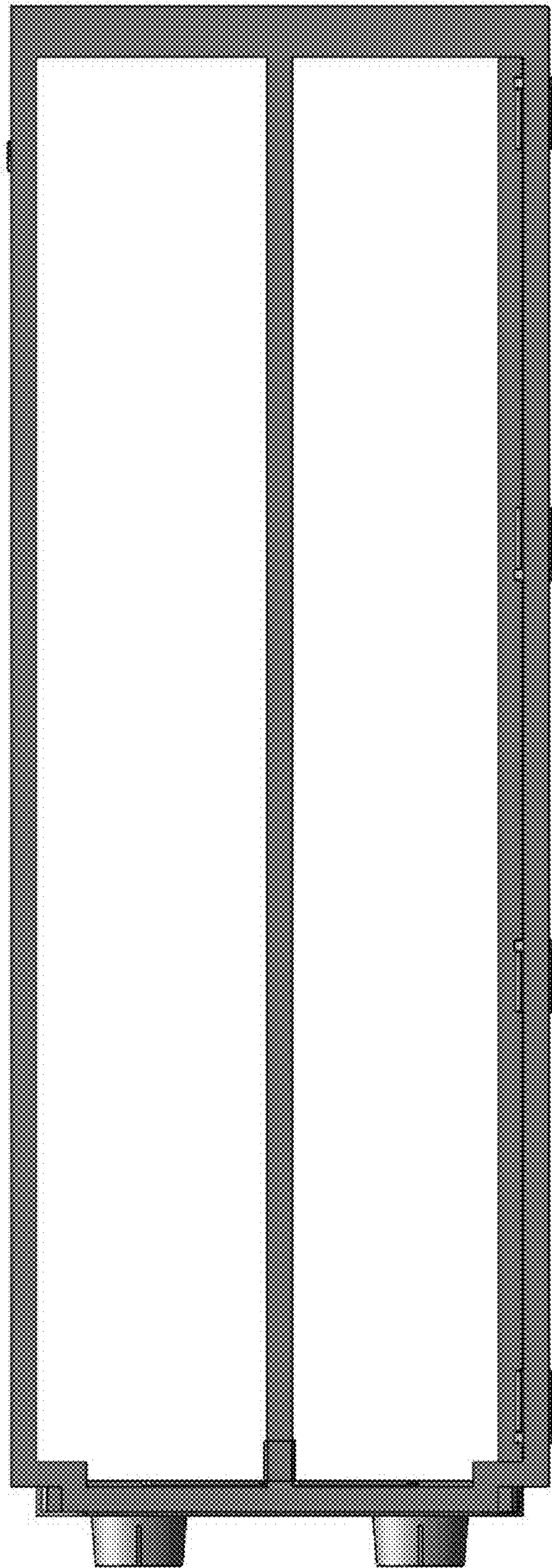


FIG. 7

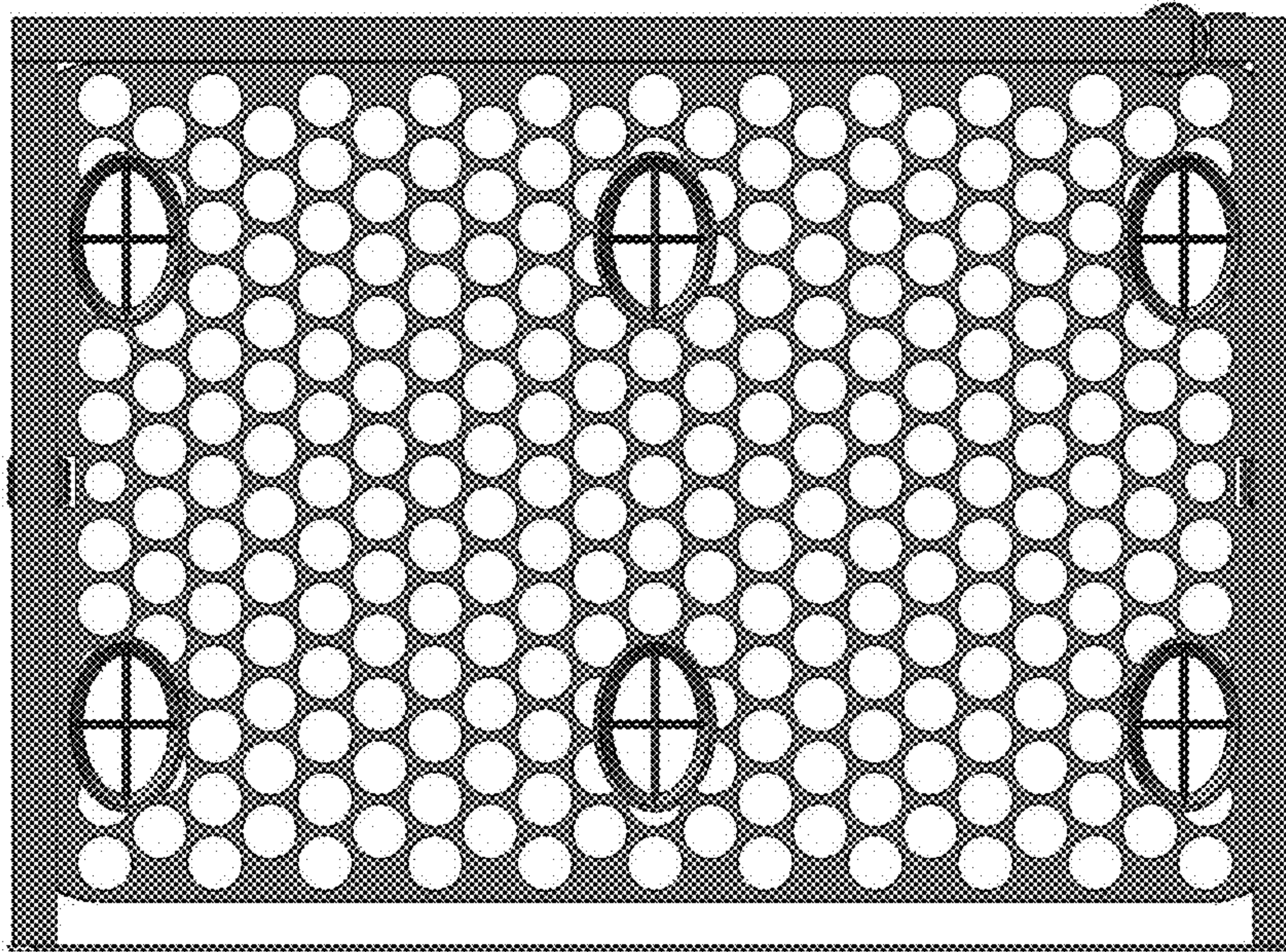


FIG. 8

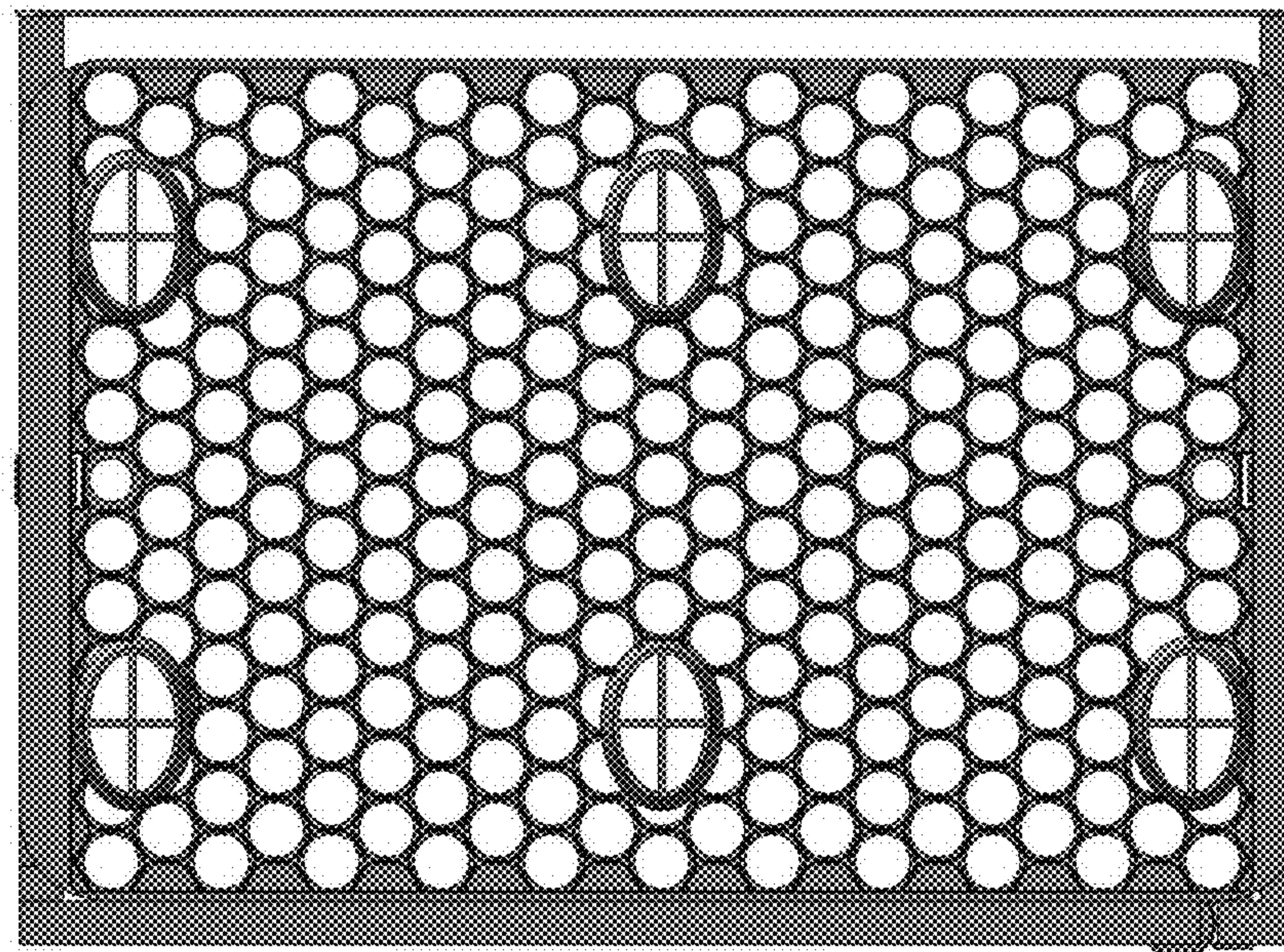


FIG. 9

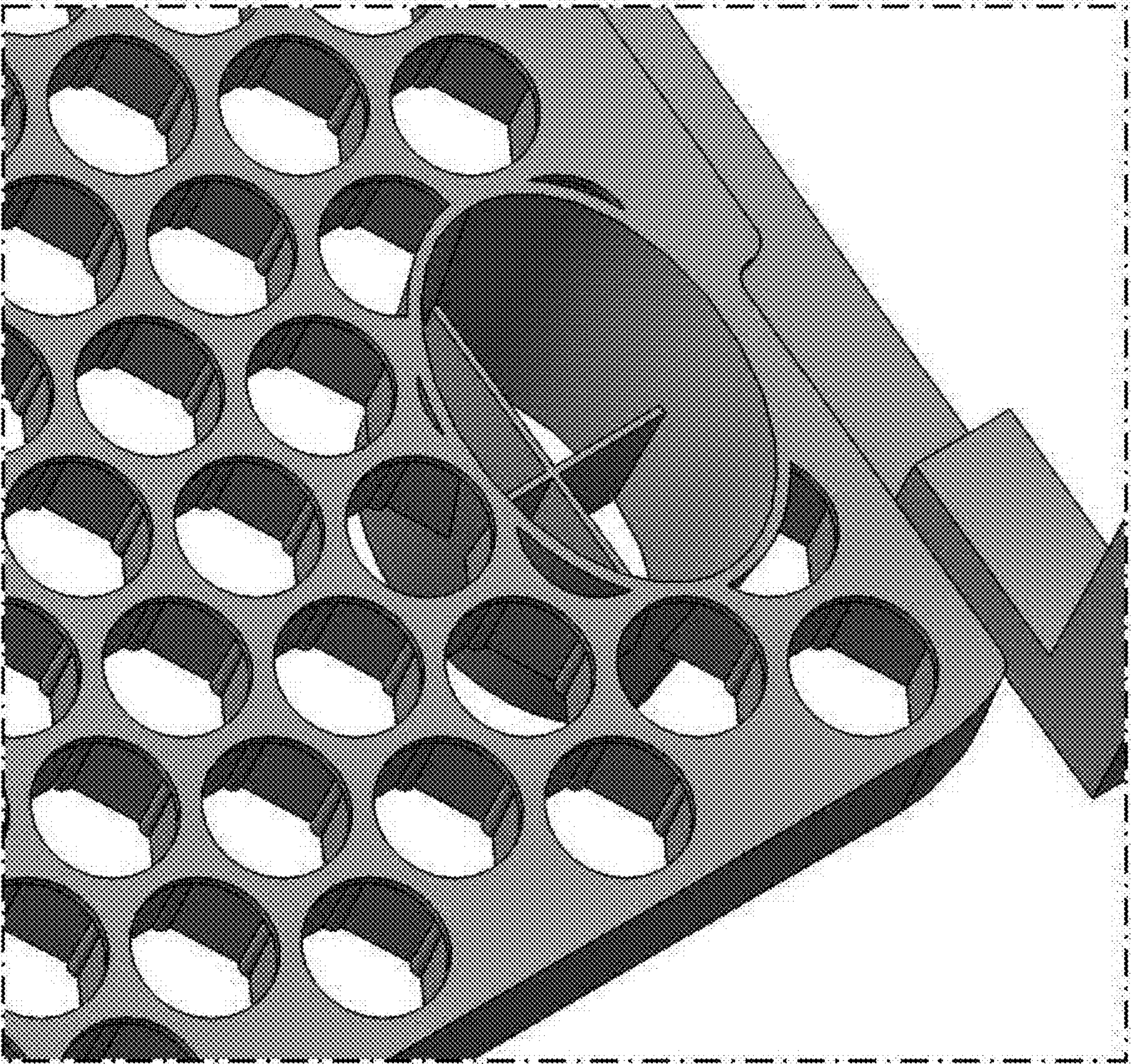


FIG. 10

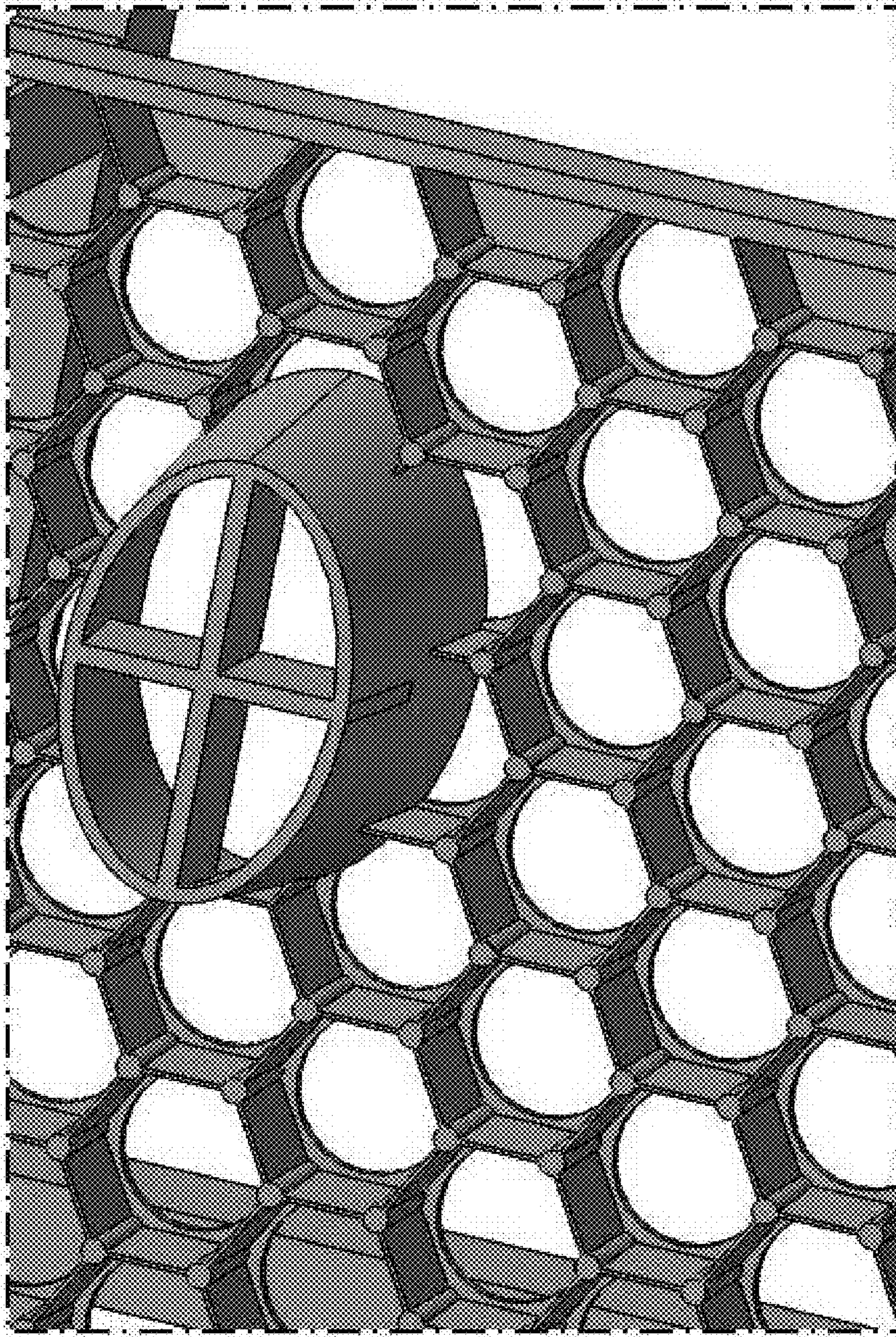


FIG. 11