



US00D885802S

(12) **United States Design Patent** (10) **Patent No.:** **US D885,802 S**  
**Mudrick et al.** (45) **Date of Patent:** **\*\* Jun. 2, 2020**

(54) **PRODUCT DISPLAY** 7,001,003 B1 \* 2/2006 Stone ..... A47F 3/005  
312/249.2

(71) Applicant: **Orion Photo Industries, Inc.**, Prescott, AZ (US) D521,772 S \* 5/2006 Gratiot ..... D6/672  
7,131,619 B2 \* 11/2006 Krapf ..... A47F 5/025  
248/415

(72) Inventors: **David Mudrick**, Prescott, AZ (US); D534,372 S \* 1/2007 Babbino ..... D6/680.2  
**Sheldon Morick**, Calabasas, CA (US) D535,835 S \* 1/2007 Campbell ..... D6/680  
D555,395 S \* 11/2007 Babbino ..... D6/677  
D567,877 S \* 4/2008 Krapf ..... D20/21  
7,851,957 B2 \* 12/2010 Krapf ..... F16C 39/066  
310/103

(73) Assignee: **Orion Photo Industries, Inc.**, Prescott, AZ (US) D665,029 S \* 8/2012 Krapf ..... D20/21  
8,534,472 B2 \* 9/2013 Levine ..... A47F 5/02  
211/131.1

(\*\*) Term: **15 Years** D731,211 S \* 6/2015 Denby ..... D6/672  
D783,321 S \* 4/2017 Levy ..... D6/680.2

(21) Appl. No.: **29/675,579**

(22) Filed: **Jan. 3, 2019**

(51) **LOC (12) Cl.** ..... **20-02**

(52) **U.S. Cl.**  
USPC ..... **D6/672**

(58) **Field of Classification Search**  
USPC ..... D6/657, 672, 675, 680, 680.1, 680.2,  
D6/682.2, 682.4; D20/21  
CPC .. A47F 3/10; A47F 5/0081; A47F 5/02; A47F  
5/025  
See application file for complete search history.

(56) **References Cited**

U.S. PATENT DOCUMENTS

D235,393 S \* 6/1975 Loomis et al. .... D6/680  
D235,597 S \* 7/1975 Loomis et al. .... D6/675.1  
D294,441 S \* 3/1988 Hoch ..... D6/680  
D303,884 S \* 10/1989 Yeranossian ..... D6/675  
D318,581 S \* 7/1991 DiDomenico ..... D6/675  
D325,480 S \* 4/1992 Krautsack ..... D6/680  
D348,364 S \* 7/1994 Engel ..... D6/660  
D382,421 S \* 8/1997 Burchett ..... D6/680  
D393,960 S \* 5/1998 Geier ..... D6/678  
D394,964 S \* 6/1998 Geier ..... D6/680.2

\* cited by examiner

*Primary Examiner* — Steven J Czyz  
(74) *Attorney, Agent, or Firm* — Berg Hill Greenleaf  
Ruscitti, LLP

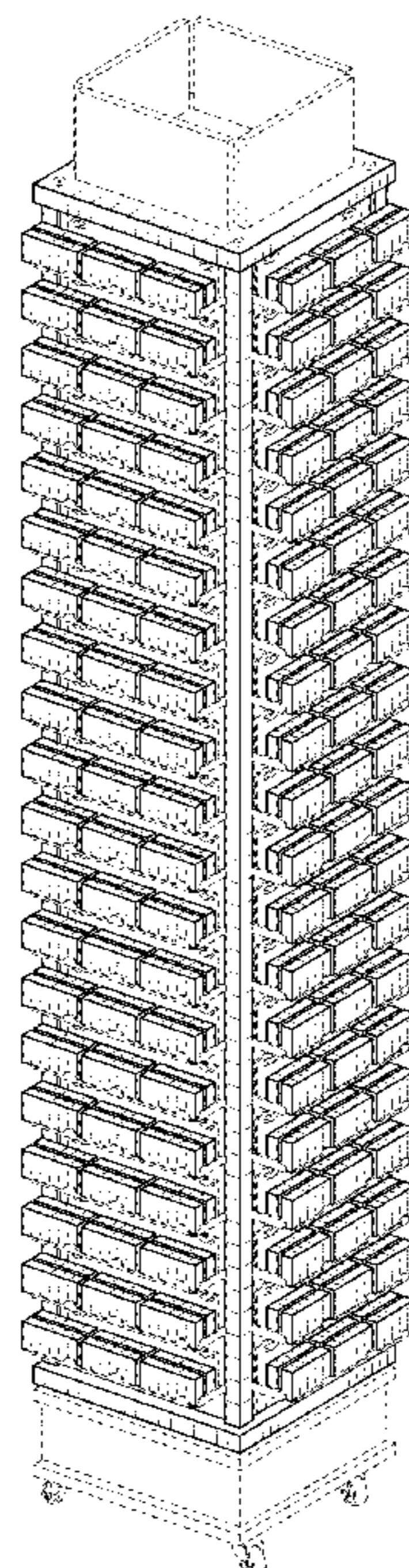
(57) **CLAIM**

The ornamental design for the product display, as shown and described.

**DESCRIPTION**

FIG. 1 is a front perspective view of a product display;  
FIG. 2 is a front view thereof;  
FIG. 3 is a back view thereof;  
FIG. 4 is a right side view thereof;  
FIG. 5 is a left side view thereof;  
FIG. 6 is a top view thereof; and,  
FIG. 7 is a bottom view thereof.  
The broken lines depict portions of the article that form no part of the claimed design.

**1 Claim, 4 Drawing Sheets**



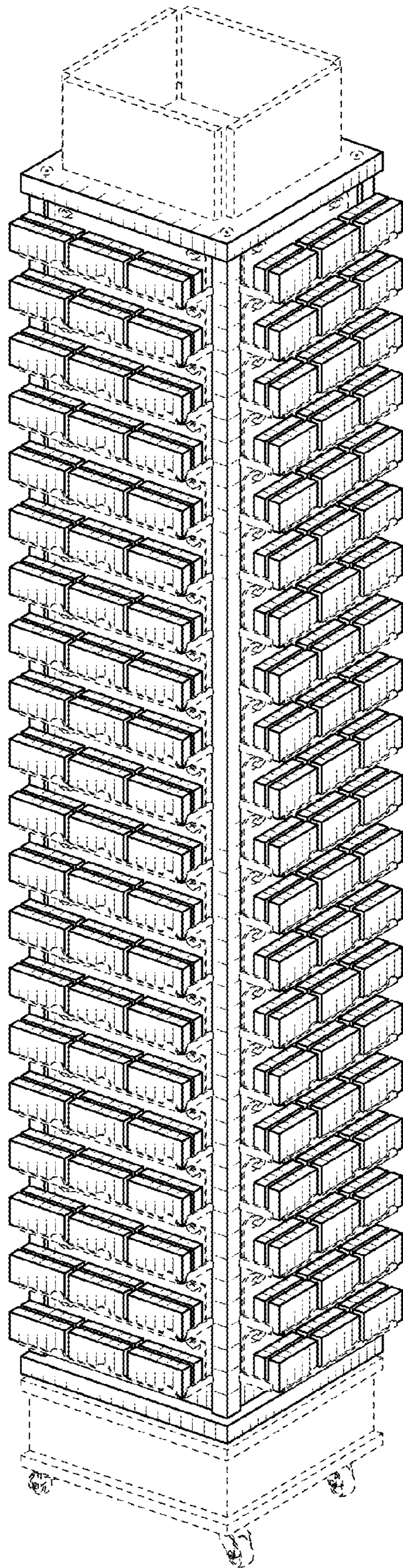


FIG. 1

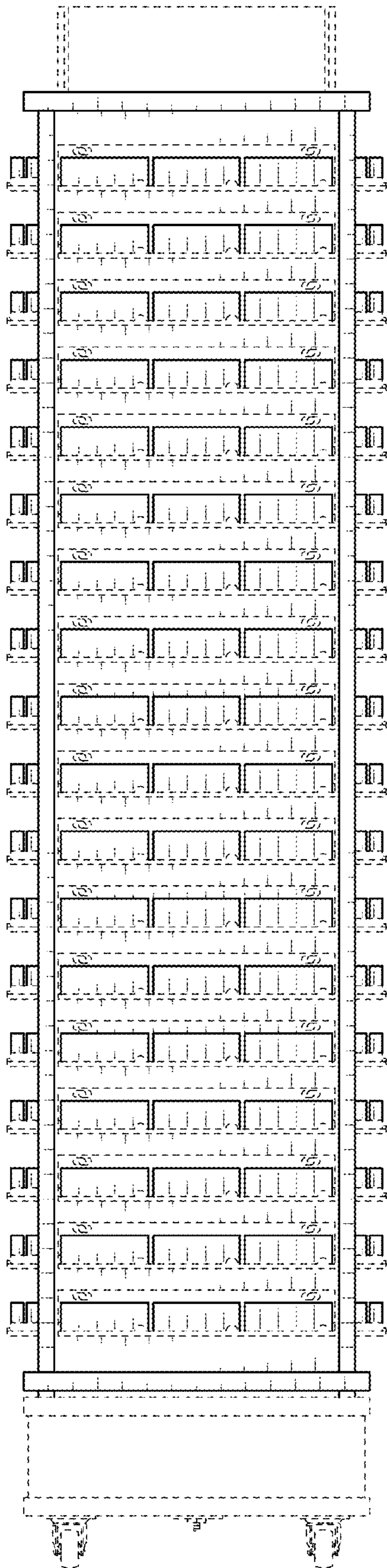


FIG. 2

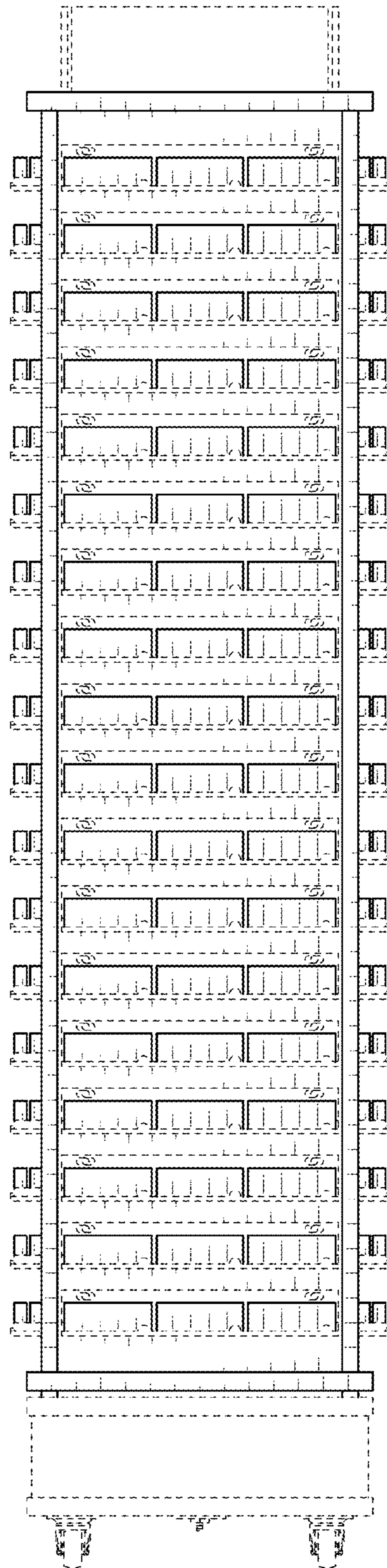


FIG. 3

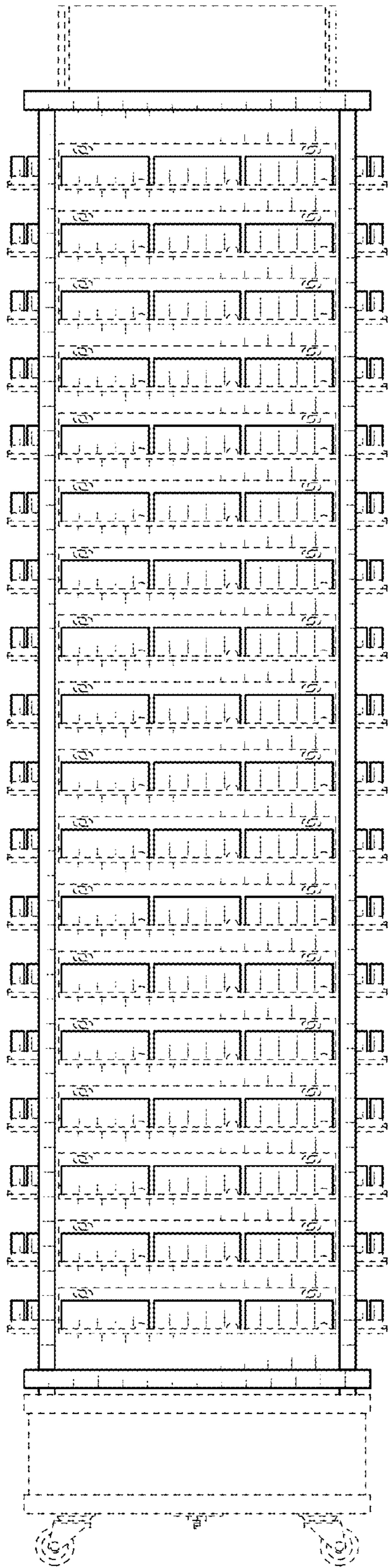


FIG. 4

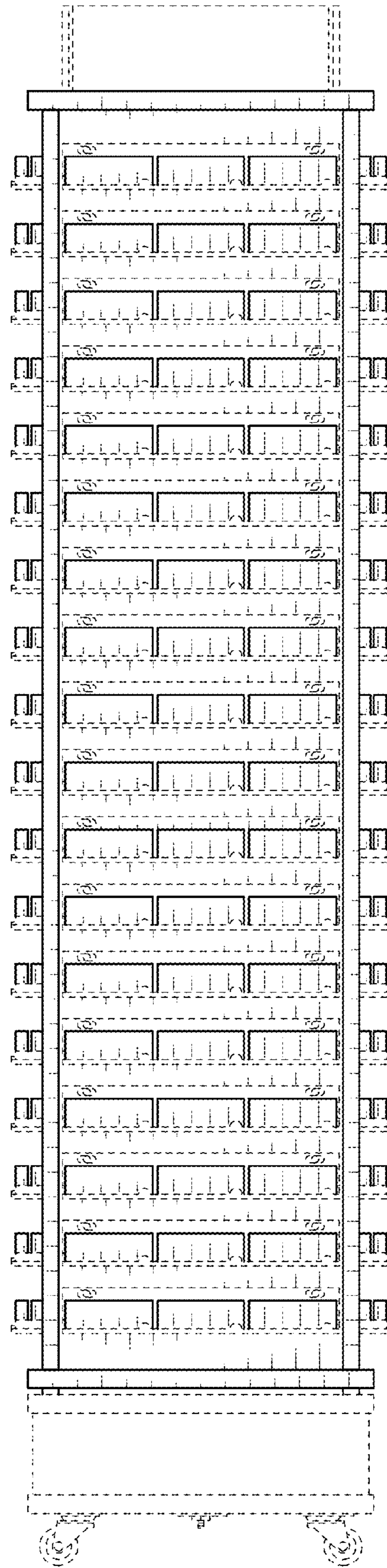


FIG. 5

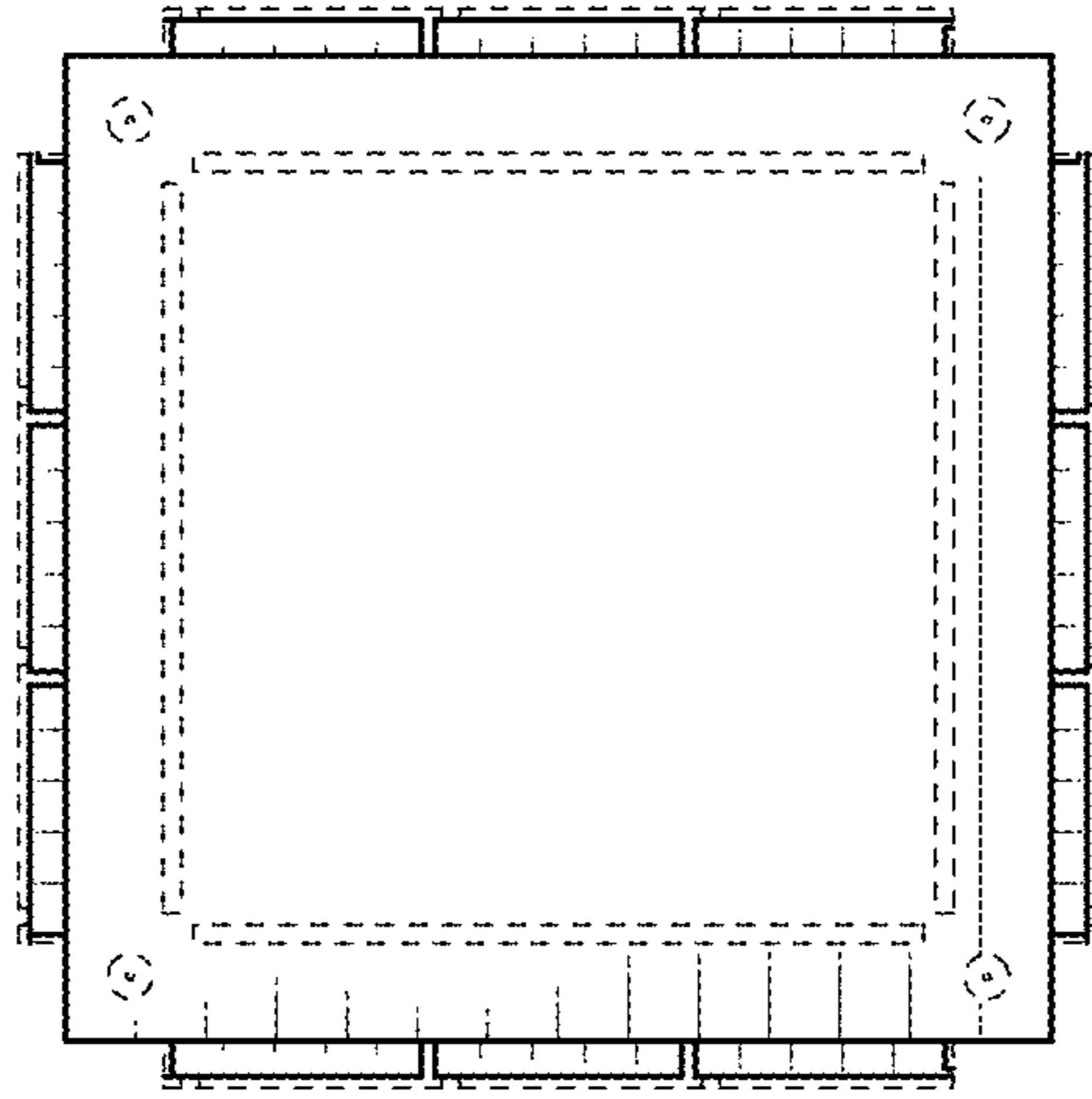


FIG. 6

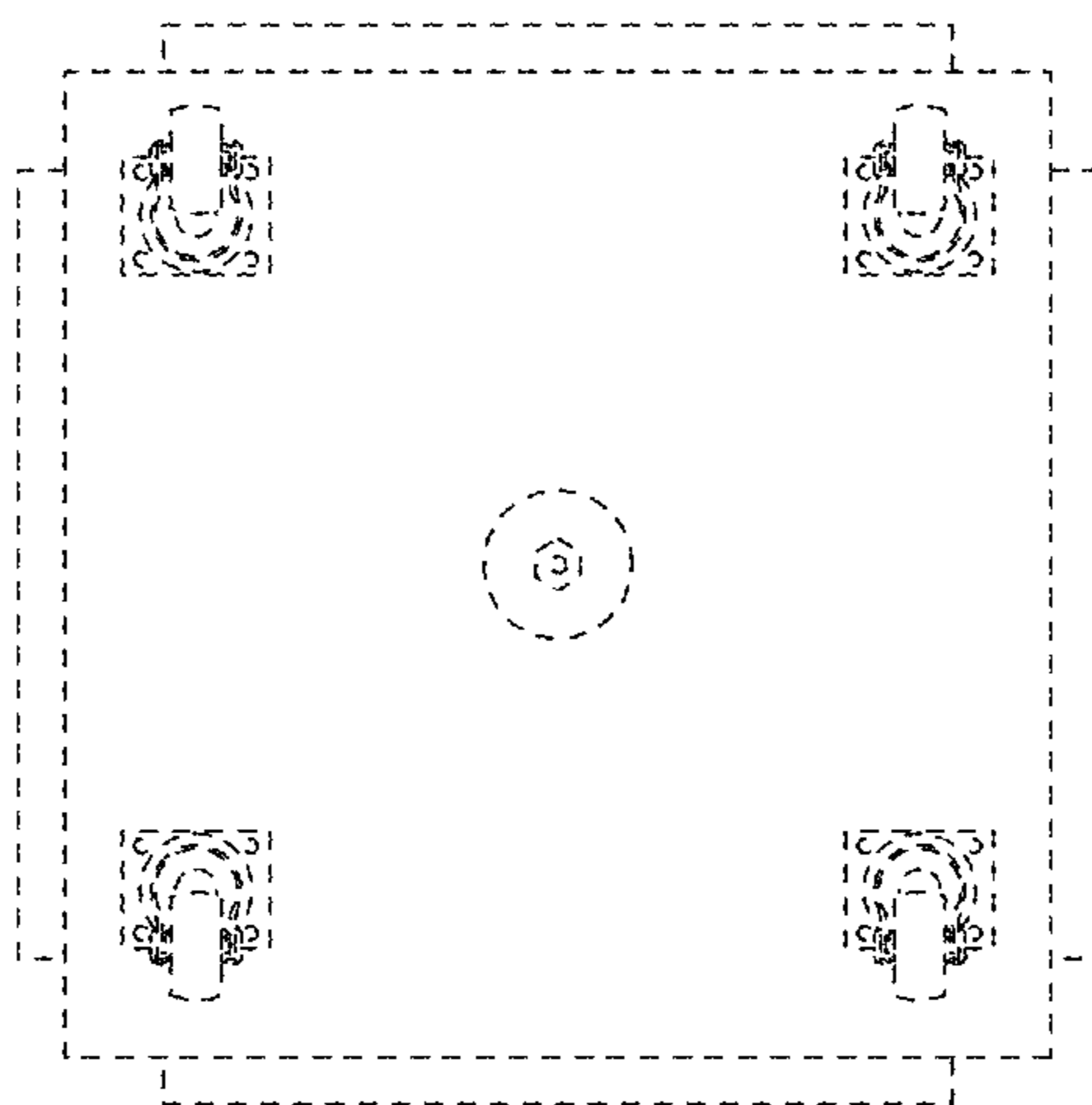


FIG. 7