



US00D885801S

(12) **United States Design Patent**
Walker

(10) **Patent No.:** **US D885,801 S**

(45) **Date of Patent:** **** Jun. 2, 2020**

(54) **HEALTH AND SAFETY UNIT**
(71) Applicant: **First Reaction Ltd**, Portadown (GB)
(72) Inventor: **Jason Walker**, Portadown (GB)
(73) Assignee: **FIRST REACTION LTD**, Armagh (GB)
(**) Term: **15 Years**

D425,353 S * 5/2000 Foy D24/134
D452,944 S * 1/2002 Schmidt D34/6
7,188,738 B2 * 3/2007 Stafford A61J 7/04
211/10
D542,582 S * 5/2007 Stafford D6/553
D551,008 S * 9/2007 Hidalgo D6/567
D566,919 S * 4/2008 Snell D32/55
7,438,194 B2 * 10/2008 Wang A47F 7/14
211/113
D639,092 S * 6/2011 Lundy D6/513
(Continued)

(21) Appl. No.: **29/666,634**
(22) Filed: **Oct. 15, 2018**
(51) **LOC (12) Cl.** **20-02**
(52) **U.S. Cl.**
USPC **D6/672**
(58) **Field of Classification Search**
USPC D6/672, 675, 675.1, 682, 682.2, 683.1,
D6/512, 514, 524, 540, 545, 553, 569,
D6/572, 567; D3/201, 203.1; D20/40,
D20/42
CPC A47F 1/00; A47F 3/00; A47F 3/02; A47F
3/06; A47F 5/08; A47F 5/0807; A47F
5/0876; A47F 7/28; A47B 47/00; A47B
881/00; A47B 96/16
See application file for complete search history.

FOREIGN PATENT DOCUMENTS

GB 2434746 A 8/2007
JP 2011050527 A 3/2011

Primary Examiner — Steven J Czyz
(74) Attorney, Agent, or Firm — RMCK Law Group,
PLC

(57) **CLAIM**

The ornamental design for a health and safety unit, as shown and described.

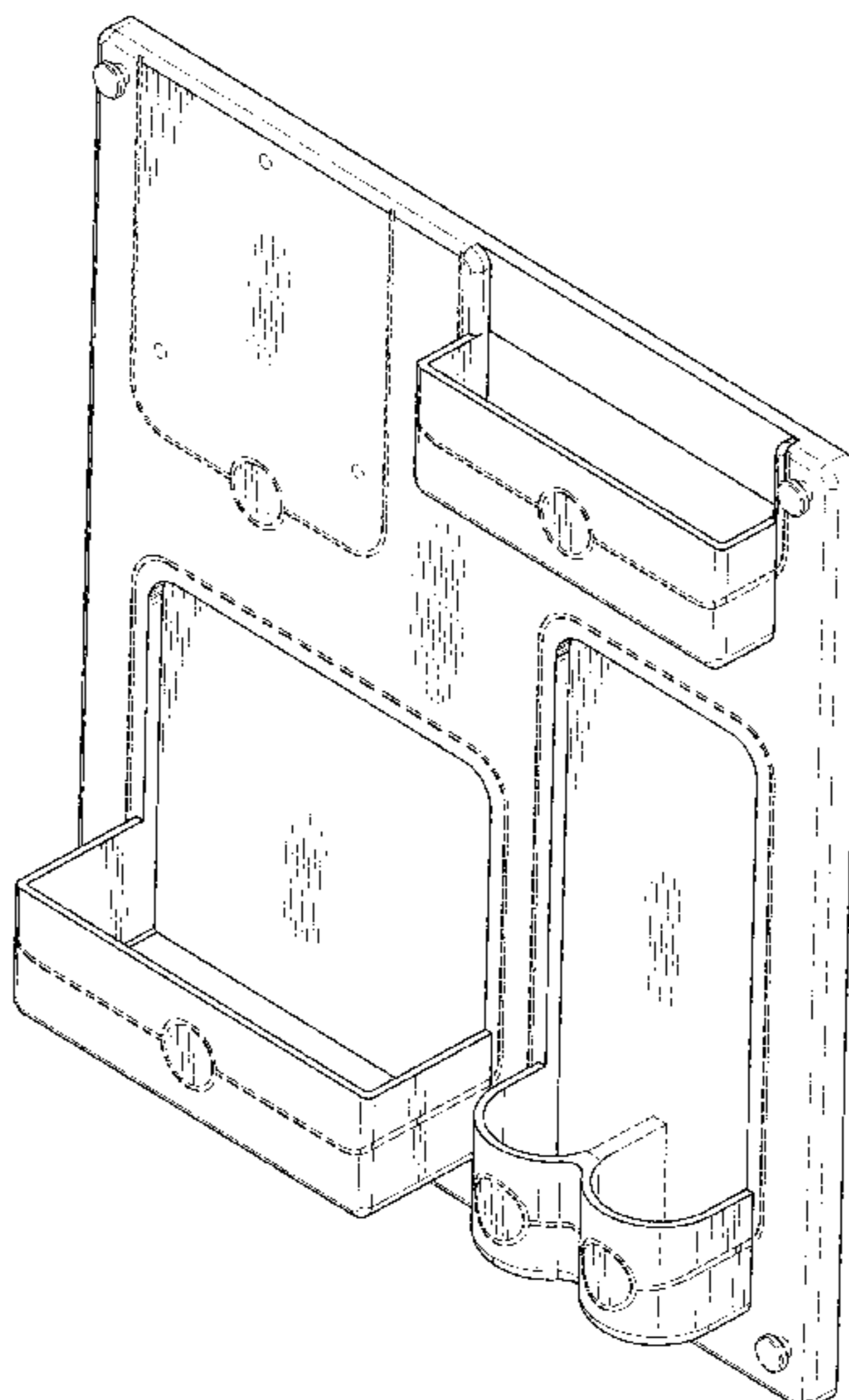
DESCRIPTION

FIG. 1 is a perspective view of a health and safety unit showing our new design;
FIG. 2 is a front view of the health and safety unit of FIG. 1;
FIG. 3 is a rear view of the health and safety unit of FIG. 1;
FIG. 4 is a top view of the health and safety unit of FIG. 1;
FIG. 5 is a bottom view of the health and safety unit of FIG. 1;
FIG. 6 is a first side view of the health and safety unit of FIG. 1; and,
FIG. 7 is a second side view of the health and safety unit of FIG. 1.
The broken lines depict portions of the article that form no part of the claimed design.

(56) **References Cited**
U.S. PATENT DOCUMENTS

D247,660 S * 4/1978 Tortorici D6/553
D300,795 S * 4/1989 Kellogg D6/567
D304,656 S * 11/1989 Hancock D6/553
4,960,307 A 10/1990 Nelsen
D313,524 S * 1/1991 Barnes D6/553
D354,646 S * 1/1995 Weinstein D6/567
5,526,943 A * 6/1996 Thompson A47B 81/00
211/119.004
D385,136 S * 10/1997 Gutke D6/524
D385,287 S * 10/1997 Westcott D15/89
D391,296 S * 2/1998 Hill, Sr. D19/86
D394,456 S * 5/1998 Jack D19/113

1 Claim, 5 Drawing Sheets



(56)

References Cited

U.S. PATENT DOCUMENTS

D762,404 S *	8/2016	Williams	D6/682.2
D778,643 S *	2/2017	Williams	D6/682.2
D808,188 S *	1/2018	Cockburn	D6/513
9,901,497 B2 *	2/2018	Colvin, Sr.	A61F 17/00
D838,521 S *	1/2019	Goldmeier	D6/672
D840,715 S *	2/2019	Lowenhielm	D6/553
D845,028 S *	4/2019	Corona	D6/553
2009/0108718 A1	4/2009	Craig et al.		

* cited by examiner

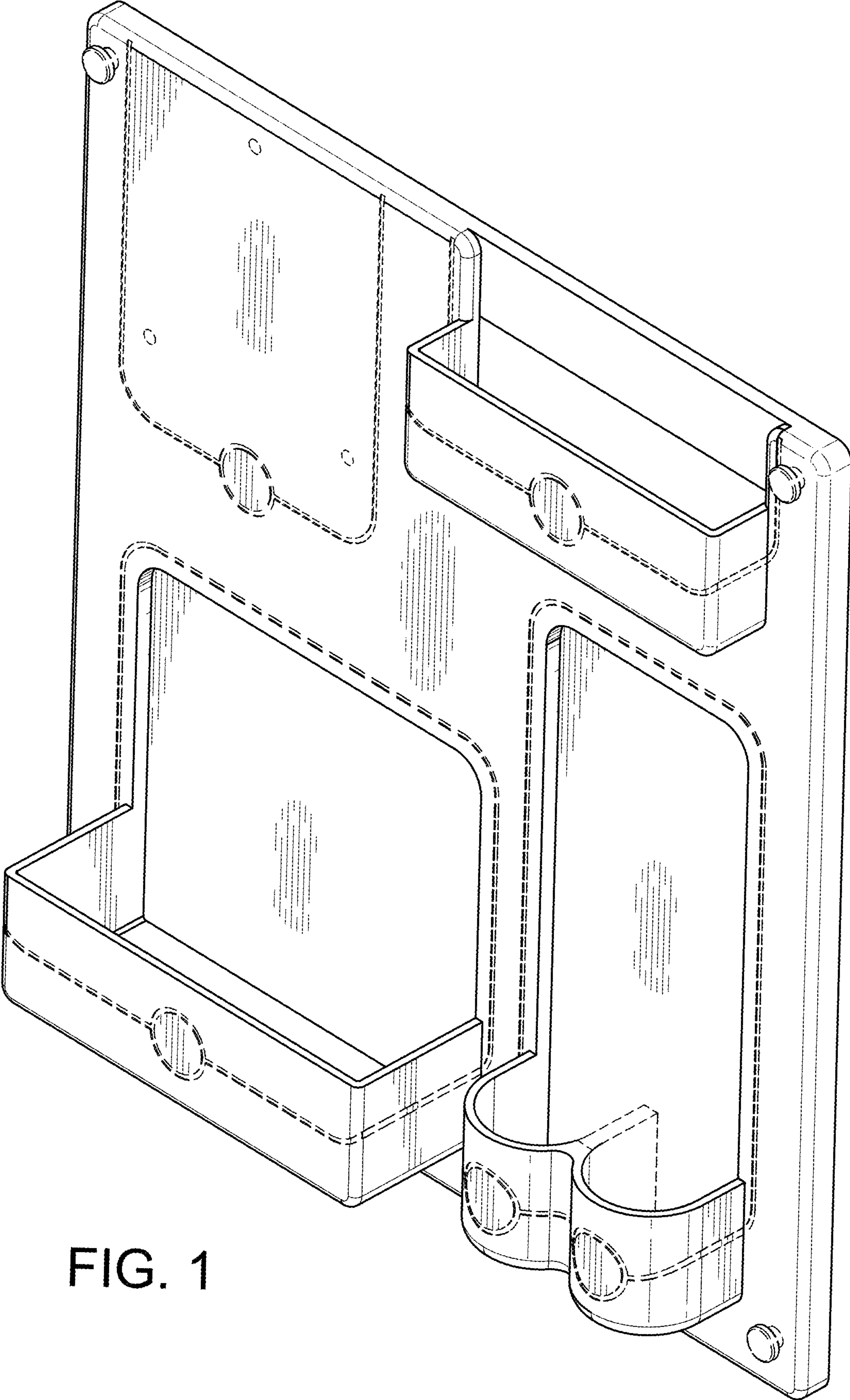


FIG. 1

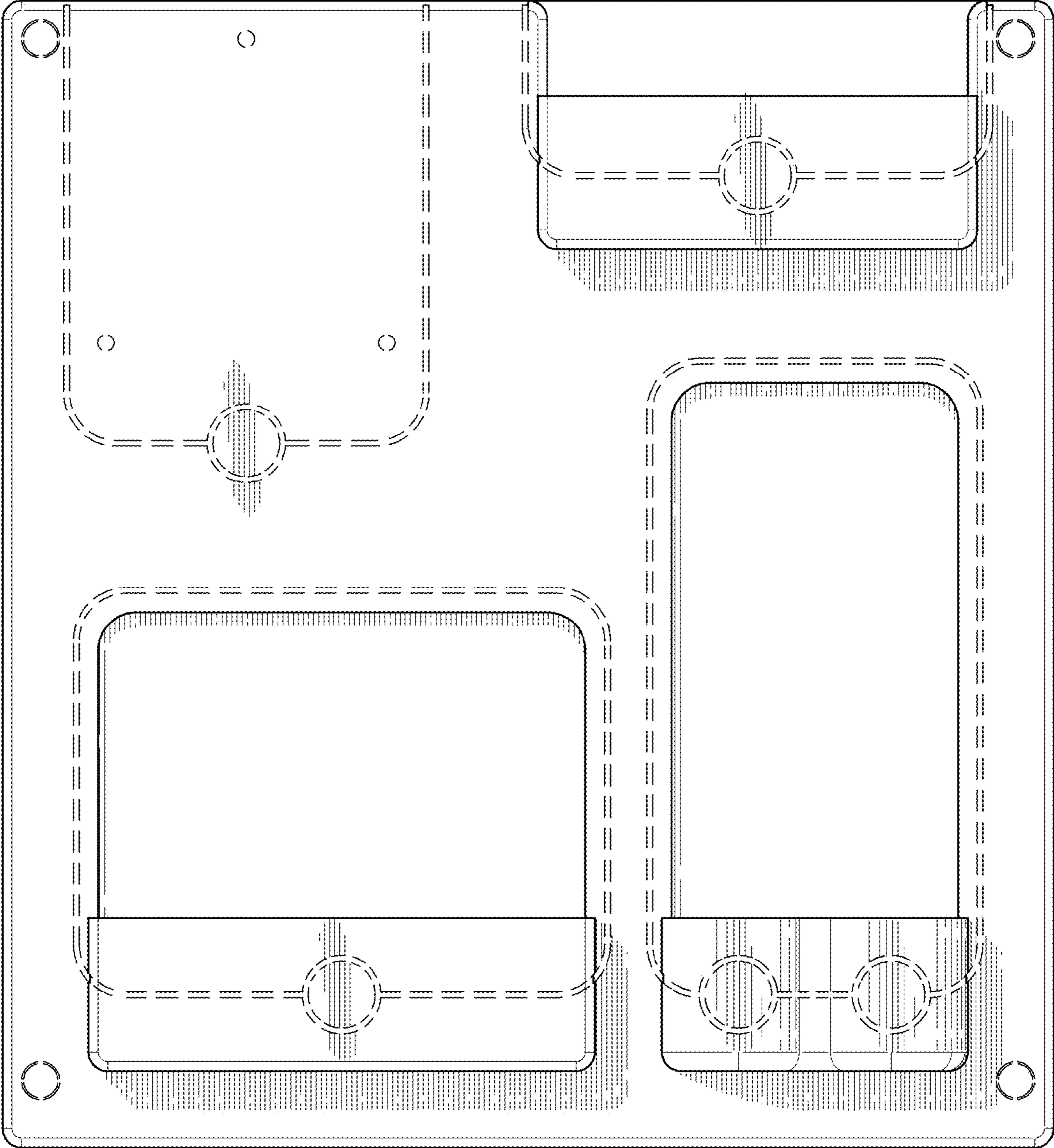


FIG. 2

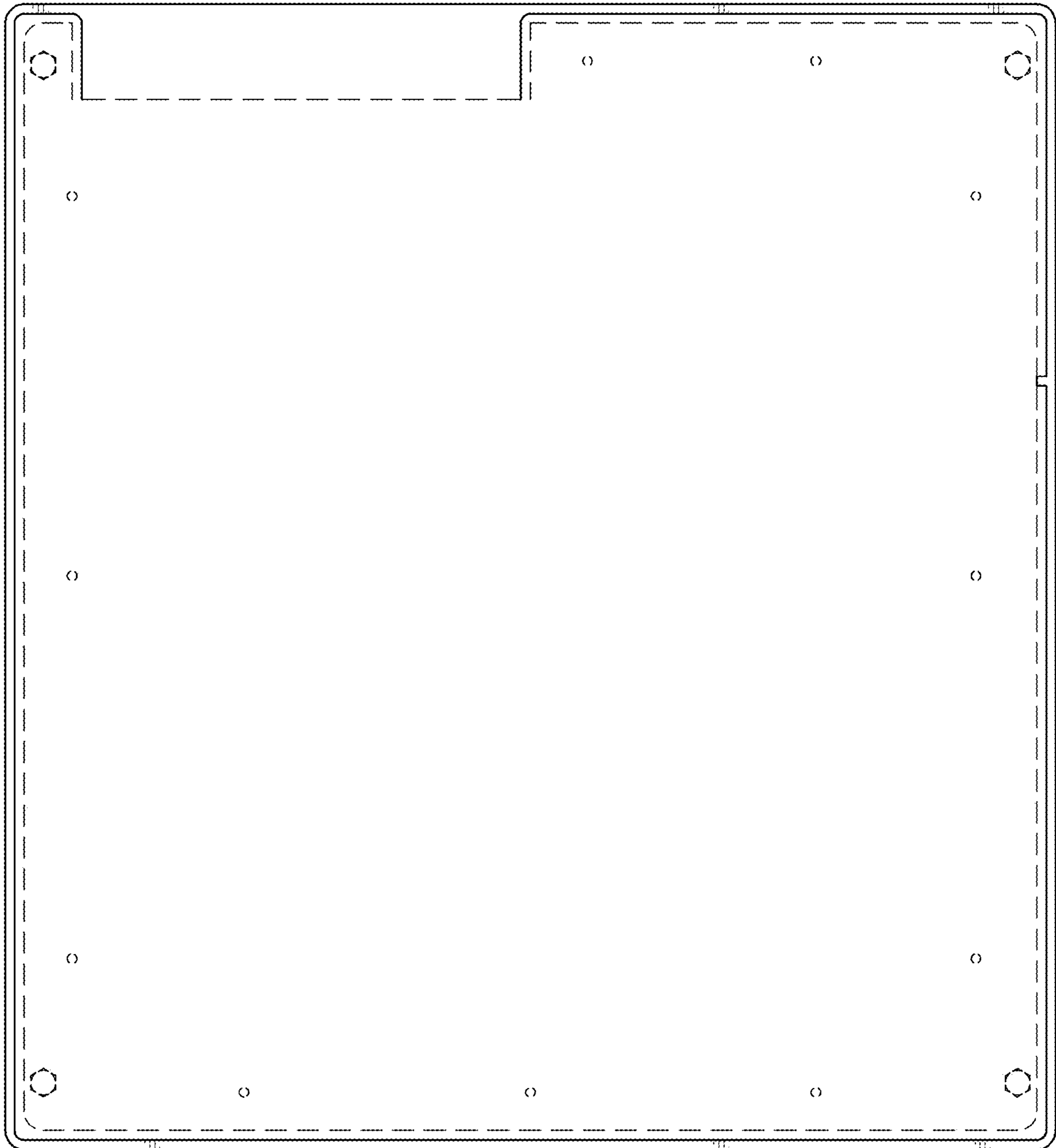


FIG. 3

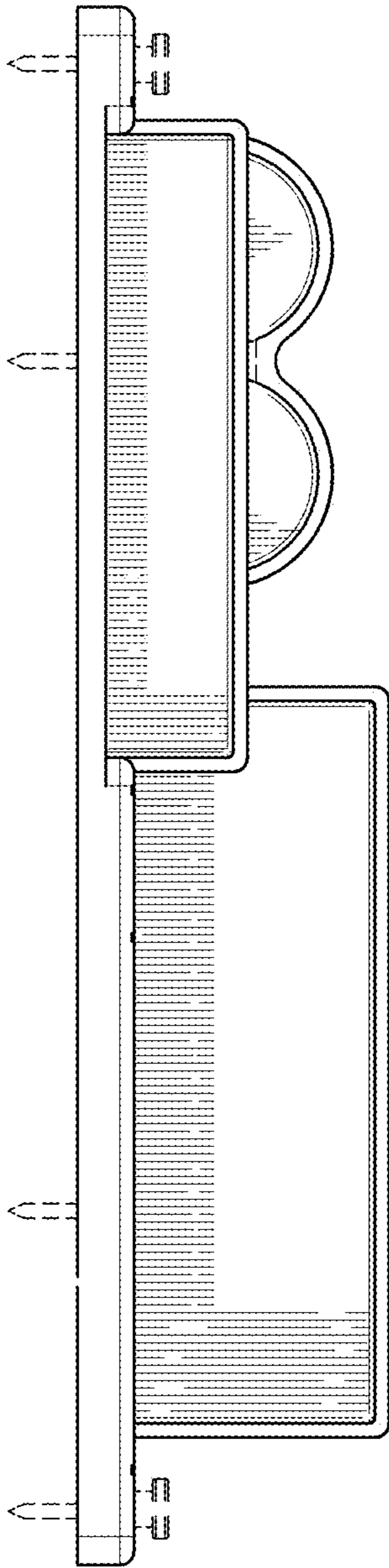


FIG. 4

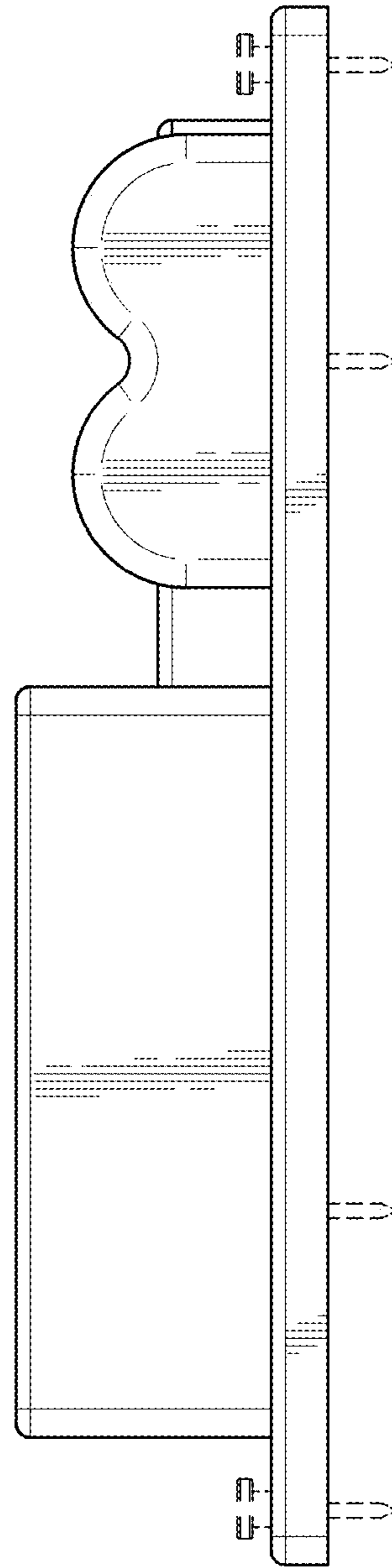


FIG. 5

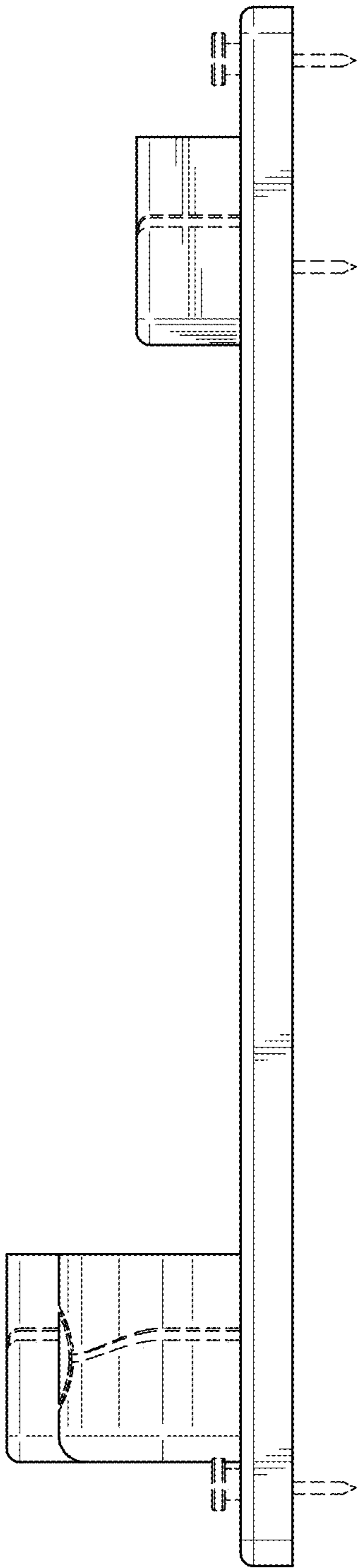


FIG. 6

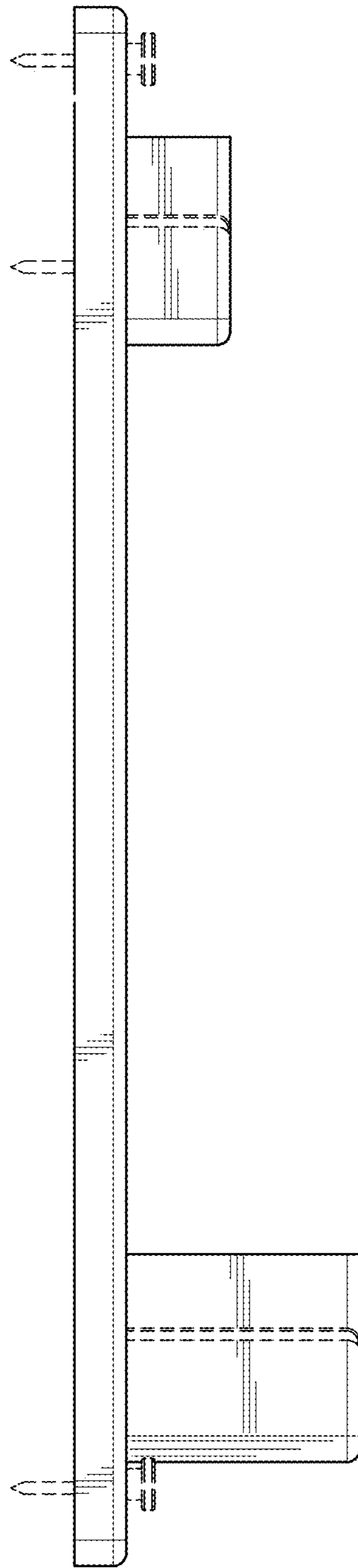


FIG. 7