



US00D885800S

(12) **United States Design Patent**  
**Mills**

(10) **Patent No.:** **US D885,800 S**  
(45) **Date of Patent:** **\*\* Jun. 2, 2020**

- (54) **DISPLAY TABLE FOR HOCKEY STICKS**
- (71) Applicant: **SPORT MASKA INC.**, Montreal (CA)
- (72) Inventor: **Justin Mills**, Clawson, MI (US)
- (73) Assignee: **SPORT MASKA INC.**, Montreal, Quebec
- (\*\*) Term: **15 Years**
- (21) Appl. No.: **29/658,043**
- (22) Filed: **Jul. 27, 2018**
- (51) **LOC (12) Cl.** ..... **20-02**
- (52) **U.S. Cl.**  
USPC ..... **D6/672**
- (58) **Field of Classification Search**  
USPC ..... D6/672, 675, 675.3, 681, 681.2, 675.1, D6/675.2, 552, 657  
CPC ..... A47F 5/0018; A47F 5/0043; A47F 5/005; A47F 5/0081; A47F 5/10; A47F 7/007; A47F 7/0021; A47F 7/0035; A47B 81/005; A63B 71/0036  
See application file for complete search history.

- 5,921,414 A \* 7/1999 Burke ..... A47B 57/42 211/187
- 6,029,833 A \* 2/2000 Yeh ..... A47F 5/0838 108/108
- D437,708 S \* 2/2001 Bargmann ..... D6/673
- 6,547,085 B2 \* 4/2003 Belisle ..... A47B 81/005 211/85.7
- 6,669,037 B1 \* 12/2003 Ahn ..... A47F 5/137 211/189
- D497,232 S \* 10/2004 McDiarmid ..... D34/21
- 6,935,523 B2 \* 8/2005 Ahn ..... A47F 5/137 211/189
- 6,959,824 B1 \* 11/2005 Alperson ..... A47F 5/137 211/1.3

(Continued)

**FOREIGN PATENT DOCUMENTS**

- CA 114657 5/2007
- CA 138633 8/2011

*Primary Examiner* — Steven J Czyz

(74) *Attorney, Agent, or Firm* — Norton Rose Fulbright Canada

(57) **CLAIM**

The ornamental design for the display table for hockey sticks, as shown and described.

**DESCRIPTION**

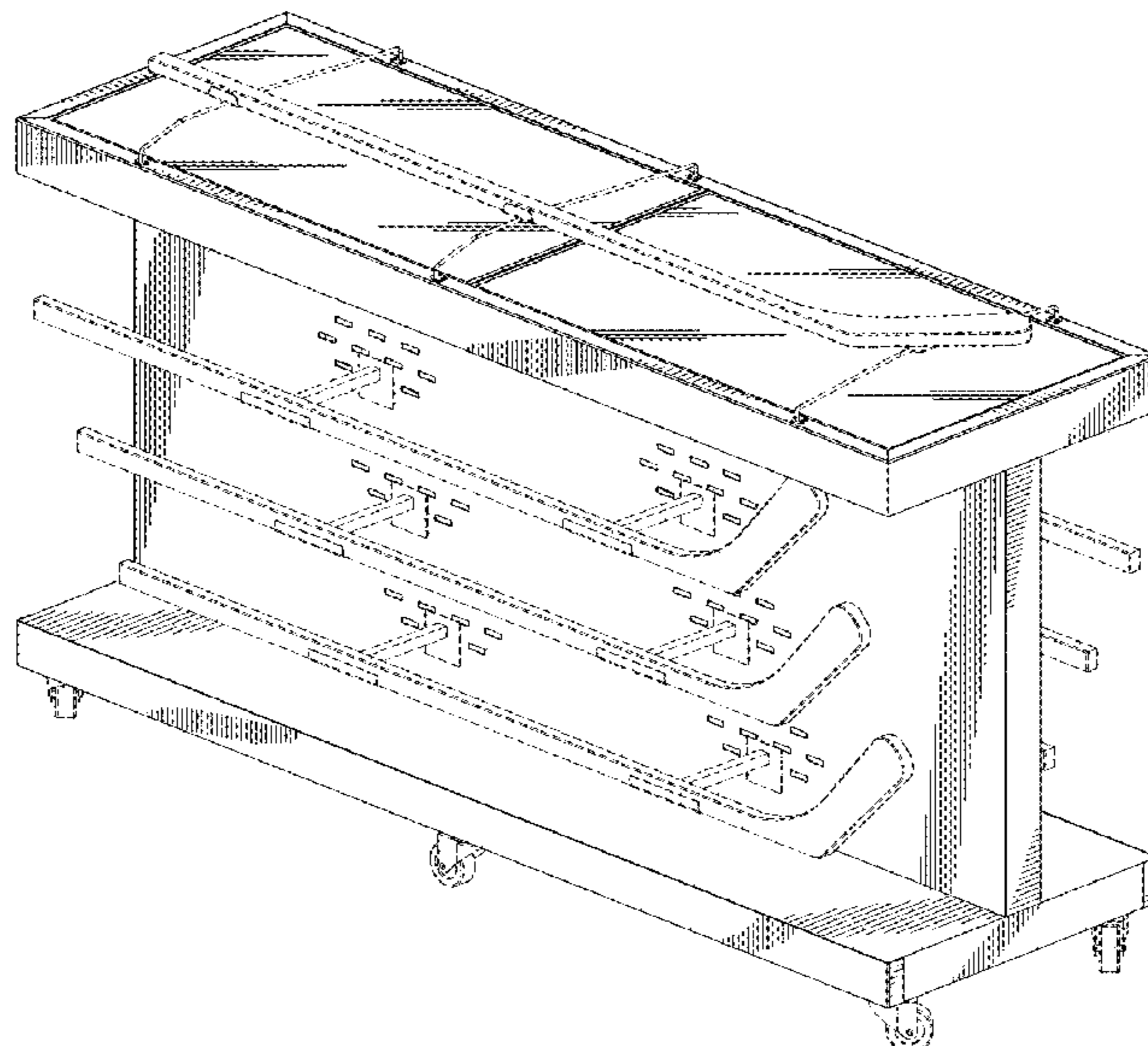
FIG. 1 is a perspective view of the display table for hockey sticks according to my new design, shown with hockey sticks mounted thereto;  
 FIG. 2 is front elevation view thereof;  
 FIG. 3 is rear elevation view thereof;  
 FIG. 4 is a right side elevation view thereof;  
 FIG. 5 is left side elevation view thereof;  
 FIG. 6 is a top plan view thereof; and,  
 FIG. 7 is a bottom plan view thereof.  
 The portions shown in broken lines do not form part of the claimed design.

**1 Claim, 6 Drawing Sheets**

(56) **References Cited**

**U.S. PATENT DOCUMENTS**

- 1,698,974 A \* 1/1929 Vance ..... A47B 81/005 211/135
- D161,117 S \* 12/1950 Moody et al. .... D6/675.2
- D167,460 S \* 8/1952 Heftel et al. .... D6/657
- D243,906 S \* 4/1977 Ware ..... D11/144
- D245,407 S \* 8/1977 Ware ..... D11/144
- 4,122,781 A \* 10/1978 Potter ..... A47F 5/135 108/101
- D357,143 S \* 4/1995 Woolard ..... D6/672
- D370,370 S \* 6/1996 Brown ..... D6/681.2
- D377,124 S \* 1/1997 Stirling ..... D6/552
- 5,806,691 A \* 9/1998 Nelson ..... A47B 81/005 211/4
- D404,227 S \* 1/1999 David ..... D6/675.1



(56)

**References Cited**

U.S. PATENT DOCUMENTS

D538,570 S \* 3/2007 Tate ..... D6/552  
D551,468 S \* 9/2007 Hoglan ..... D6/675.1  
7,422,122 B2 \* 9/2008 Holland ..... A63B 71/0036  
211/85.7  
7,441,669 B1 \* 10/2008 Dalbey ..... A47F 7/0028  
211/85.7  
D615,772 S \* 5/2010 Day ..... D6/675.1  
D679,521 S \* 4/2013 Hamm ..... D6/672  
D688,490 S \* 8/2013 Pepe ..... D6/552  
8,714,369 B2 \* 5/2014 Liu ..... A47F 7/30  
211/13.1  
D707,065 S \* 6/2014 Fisher ..... D6/678.4  
D736,010 S \* 8/2015 Reed, Jr. .... D6/553  
D758,106 S \* 6/2016 Hamm ..... D6/672  
D776,956 S \* 1/2017 Ma ..... D6/552  
D785,381 S \* 5/2017 Johnson ..... D6/681  
D785,383 S \* 5/2017 Johnson ..... D6/681.2  
D842,014 S \* 3/2019 Qiu ..... D6/681.2  
D848,770 S \* 5/2019 Davis ..... D6/675.1

\* cited by examiner

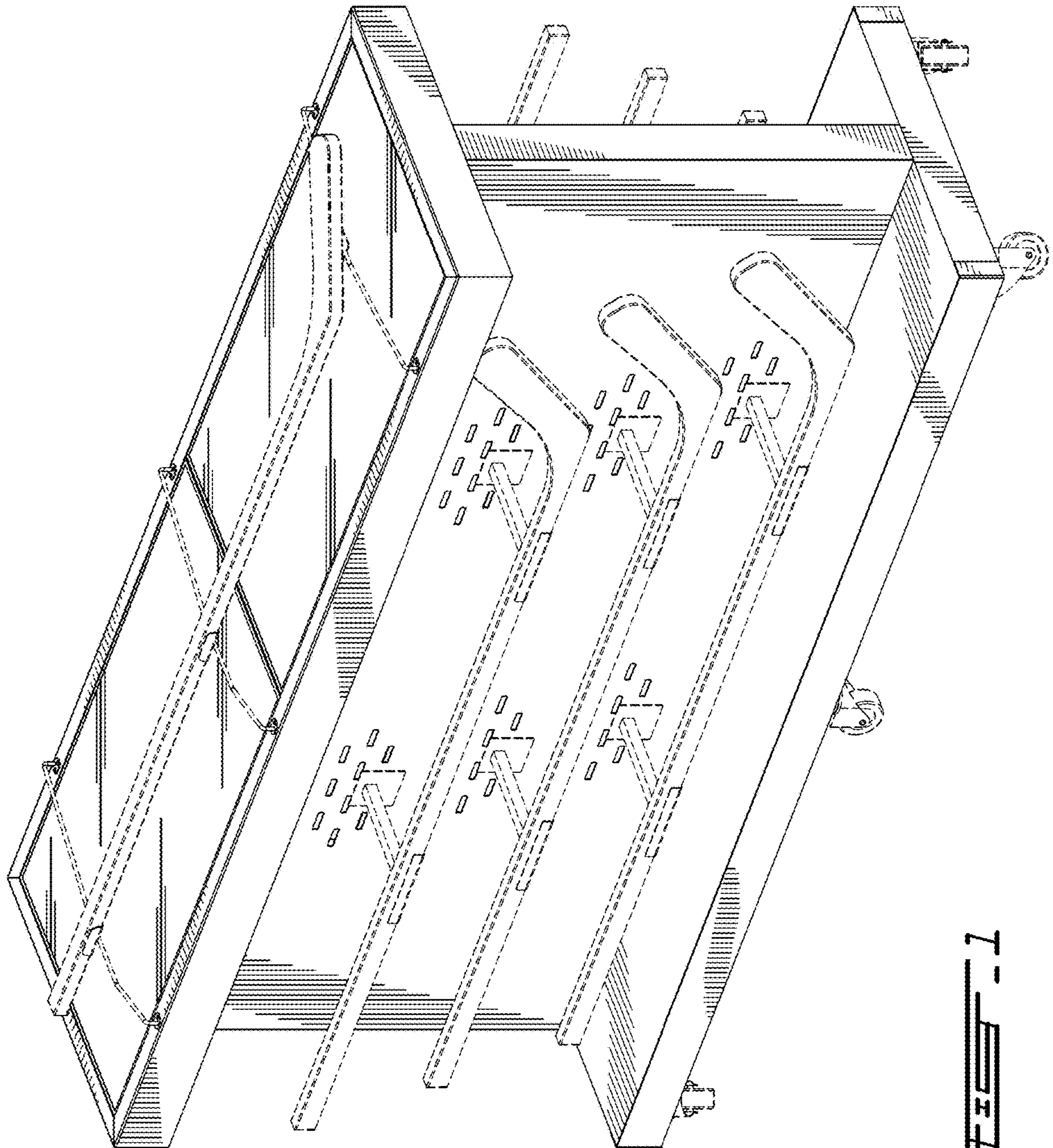


FIG. 1

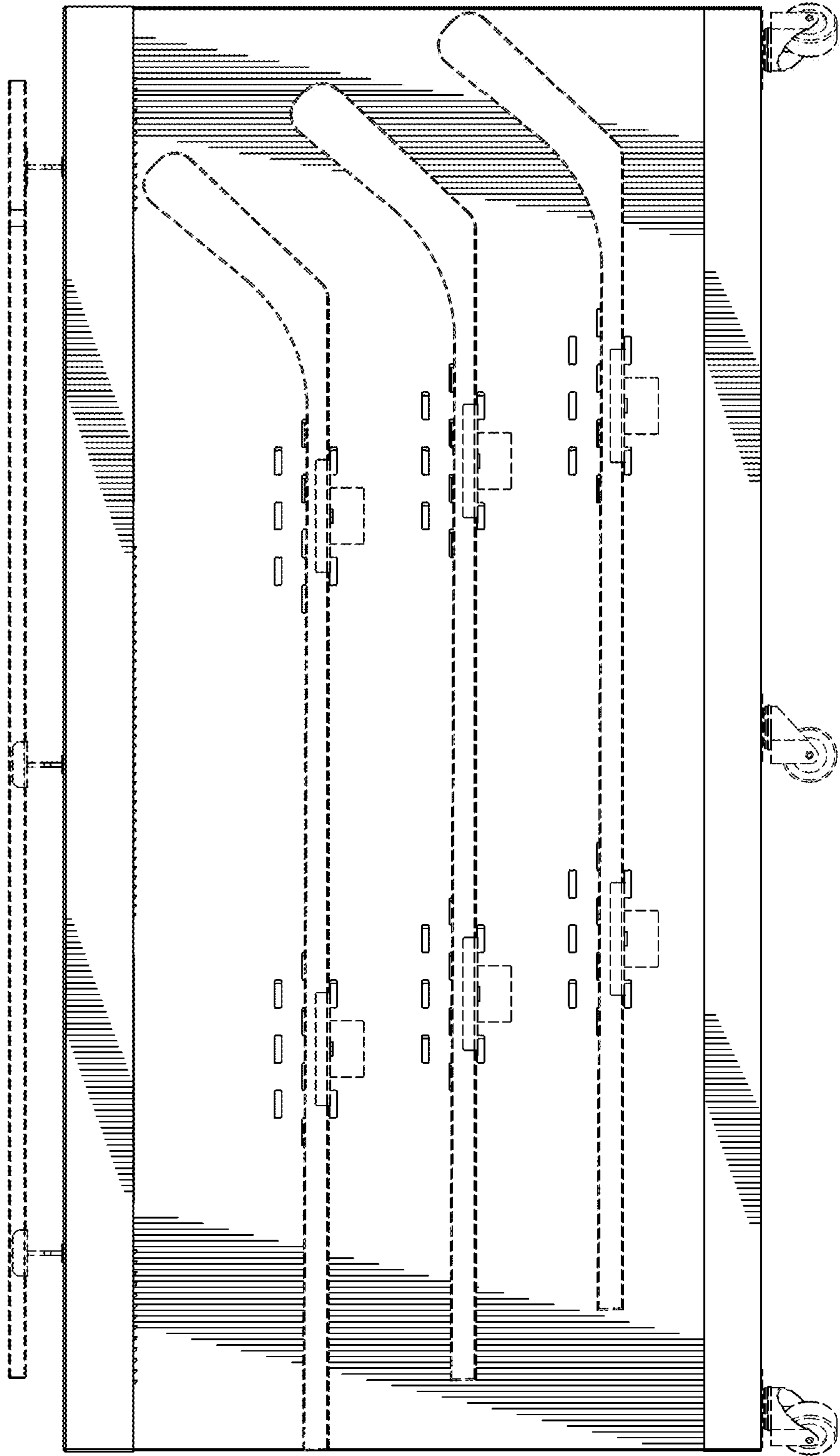


FIG. 2

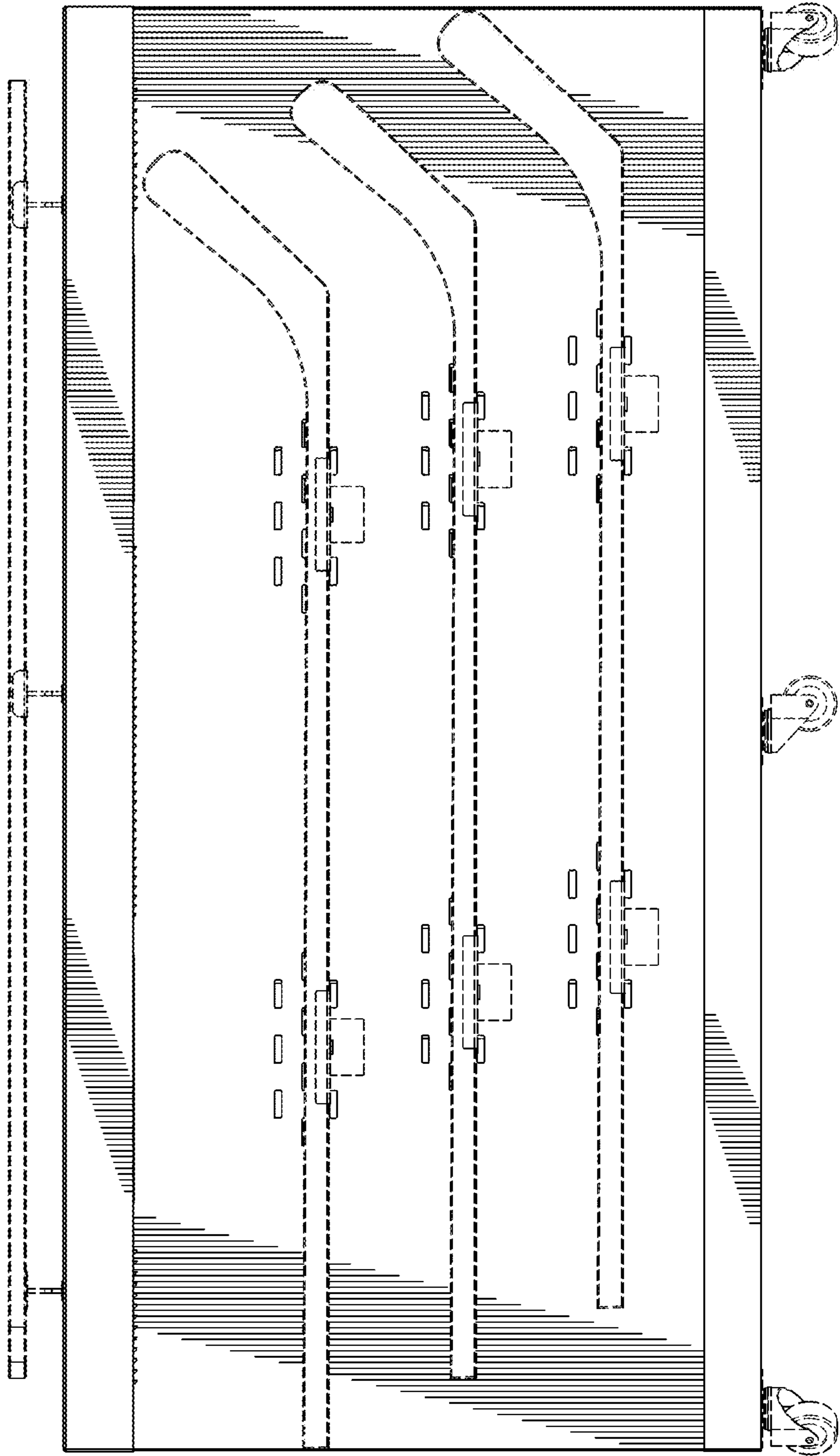
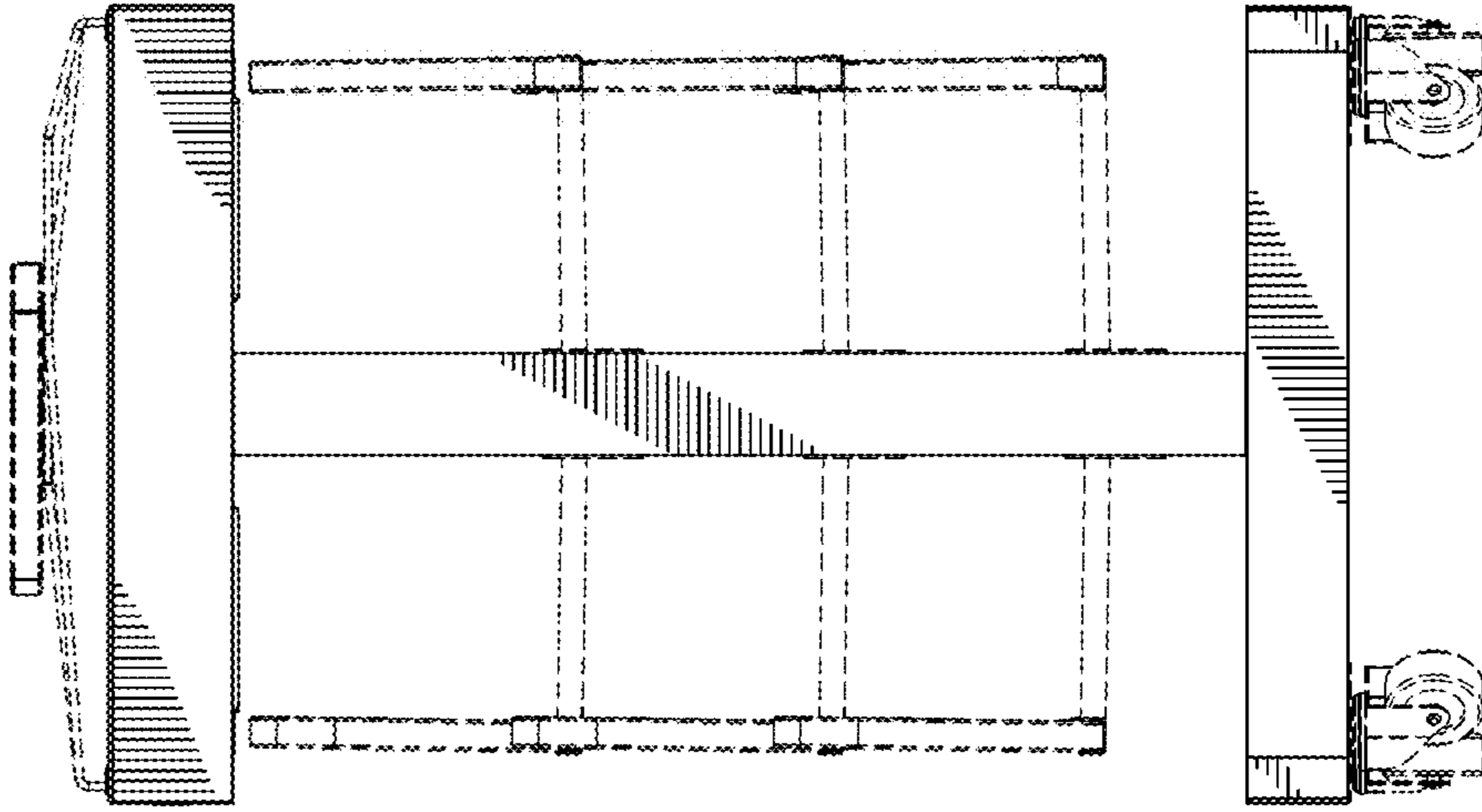
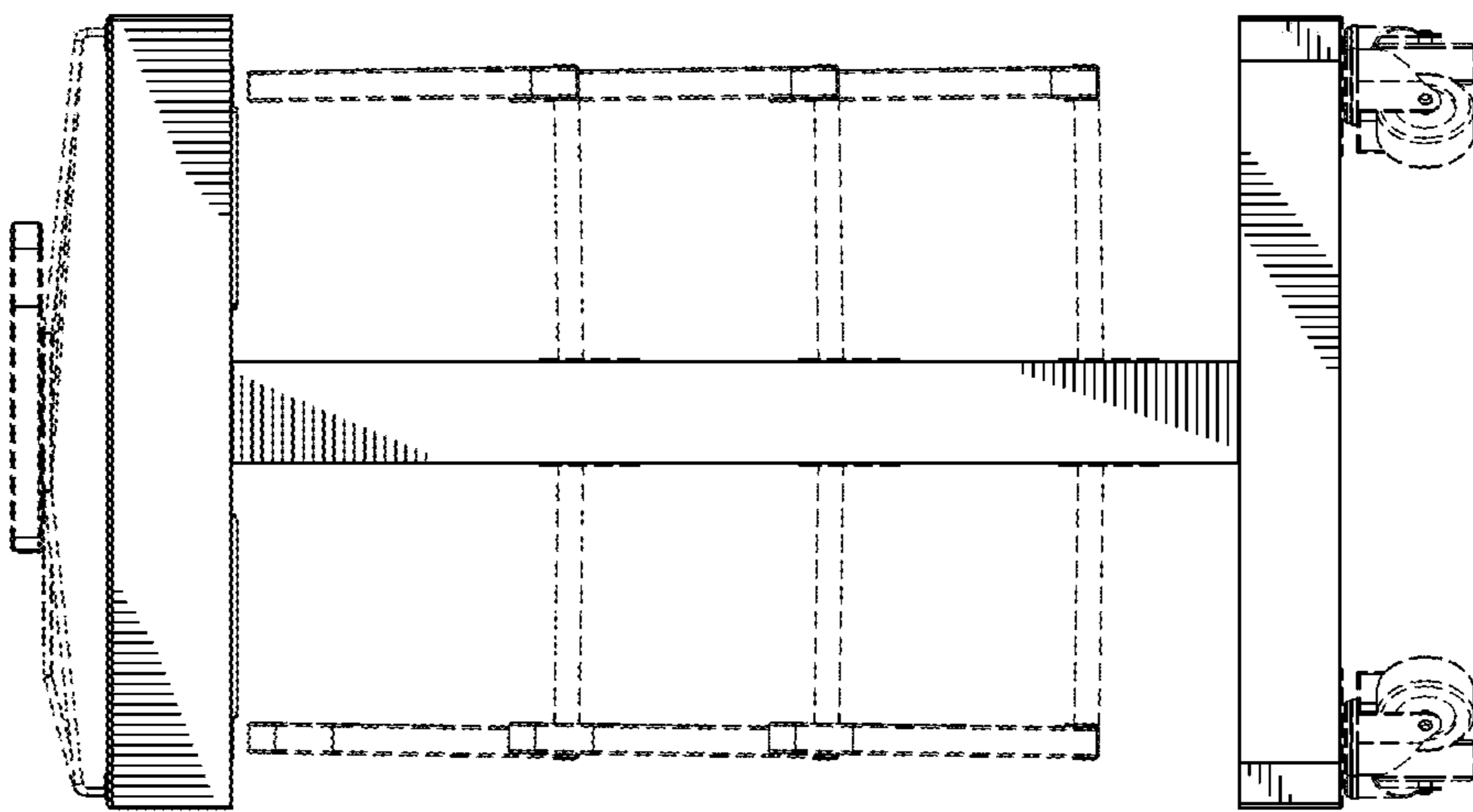


FIG. 3



**FIG. 5**



**FIG. 4**

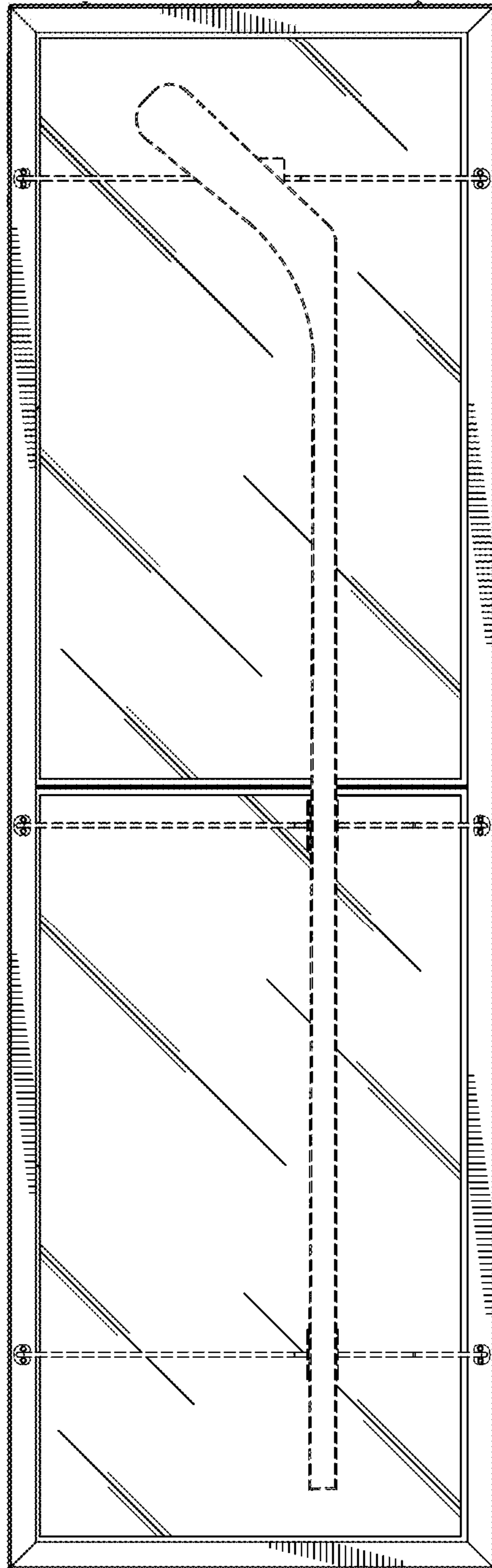


FIG. 5

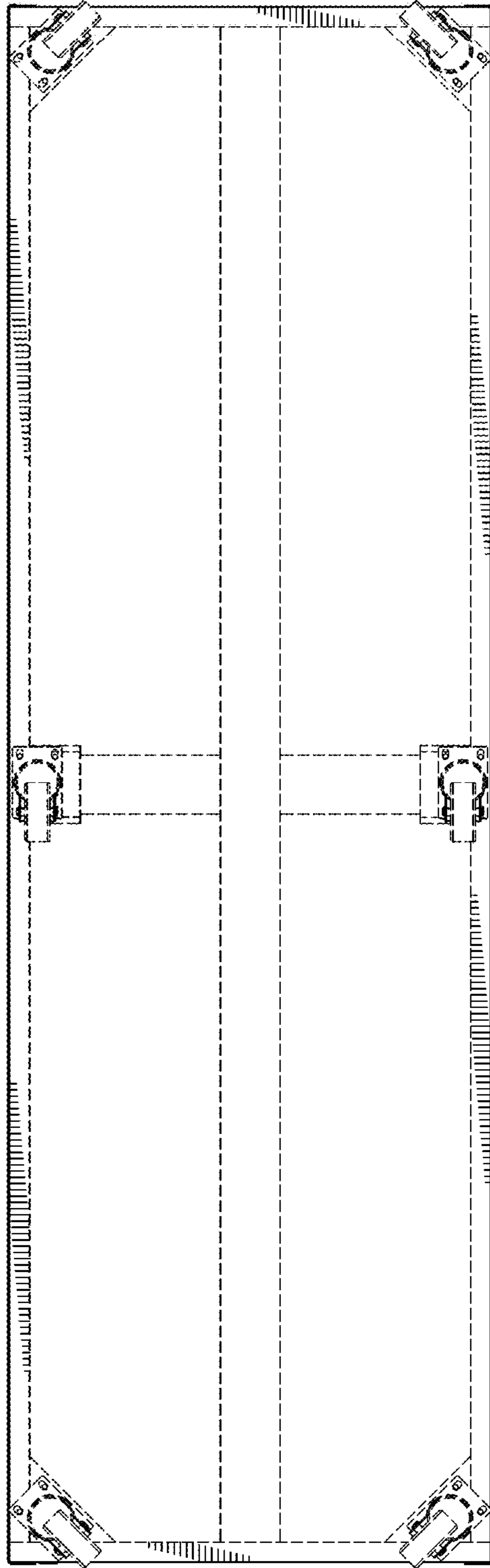


FIG. 7