



US00D885799S

(12) **United States Design Patent** (10) **Patent No.:** **US D885,799 S**
Sumlin (45) **Date of Patent:** **** Jun. 2, 2020**

(54) **TIERED CHEST**
(71) Applicant: **Charles Neal Sumlin**, Aguadilla, PR (US)
(72) Inventor: **Charles Neal Sumlin**, Aguadilla, PR (US)
(73) Assignee: **AMINI INNOVATION CORPORATION**, Pico Rivera, CA (US)
(**) Term: **15 Years**

D454,445 S * 3/2002 O'Hare D6/668.2
D455,286 S * 4/2002 O'Hare D6/668.2
D465,351 S * 11/2002 Tobin, Jr. D6/671.2
D483,962 S * 12/2003 Stanton D6/668.2
D486,670 S * 2/2004 Stanton D6/668.2
D487,200 S * 3/2004 Wanek D6/664.1
D489,921 S * 5/2004 Wanek D6/668.2
D490,626 S * 6/2004 Risdon D6/668.2
D504,036 S * 4/2005 Risdon D6/668.2
D505,805 S * 6/2005 Risdon D6/665
D507,430 S * 7/2005 Risdon D6/668.2
D508,795 S * 8/2005 Mirchand D6/668.2
D512,852 S * 12/2005 Peterson D6/668.2
D557,038 S * 12/2007 O'Hare D6/707.22

(Continued)

(21) Appl. No.: **29/678,542**
(22) Filed: **Jan. 29, 2019**
(51) **LOC (12) Cl.** **06-04**
(52) **U.S. Cl.**
USPC **D6/671.2**
(58) **Field of Classification Search**
USPC D6/300, 650, 652, 657, 661.3, 663, 665,
D6/668, 668.2, 671, 671.1, 671.2
CPC A47B 46/00; A47B 47/00; A47B 47/022;
A47B 47/02; A47B 47/04; A47B 55/00;
A47B 67/02; A47B 67/04
See application file for complete search history.

OTHER PUBLICATIONS

“Facebook—Michael Amini—April’s High Point Market Highlights for AICO.” Found online Mar. 27, 2020 at www.facebook.com. Video dated Apr. 19, 2018. Retrieved from URL: https://www.facebook.com/MichaelAminiDesigns/videos/vb.215501573337/10156534685858338/?type=3&theater (Year: 2018).*

(Continued)

Primary Examiner — Mary Ann Calabrese
Assistant Examiner — Katelin G Kloberg
(74) *Attorney, Agent, or Firm* — Cislo & Thomas, LLP

(56) **References Cited**

U.S. PATENT DOCUMENTS

D23,928 S * 1/1895 Rice D6/668.2
D150,825 S * 9/1948 Buckner D6/668.2
D233,389 S * 10/1974 Keller D6/671.1
D264,530 S * 5/1982 Aulbert D6/668.2
D274,106 S * 6/1984 Wood D6/671.1
D314,290 S * 2/1991 Powell D6/663
D348,358 S * 7/1994 Brunner D6/300
D380,626 S * 7/1997 Yeh D6/667
D419,796 S * 2/2000 O'Hare D6/668.2
D448,577 S * 10/2001 McDaniel D6/300
D448,578 S * 10/2001 McDaniel D6/300
D450,477 S * 11/2001 McDaniel D6/668.2

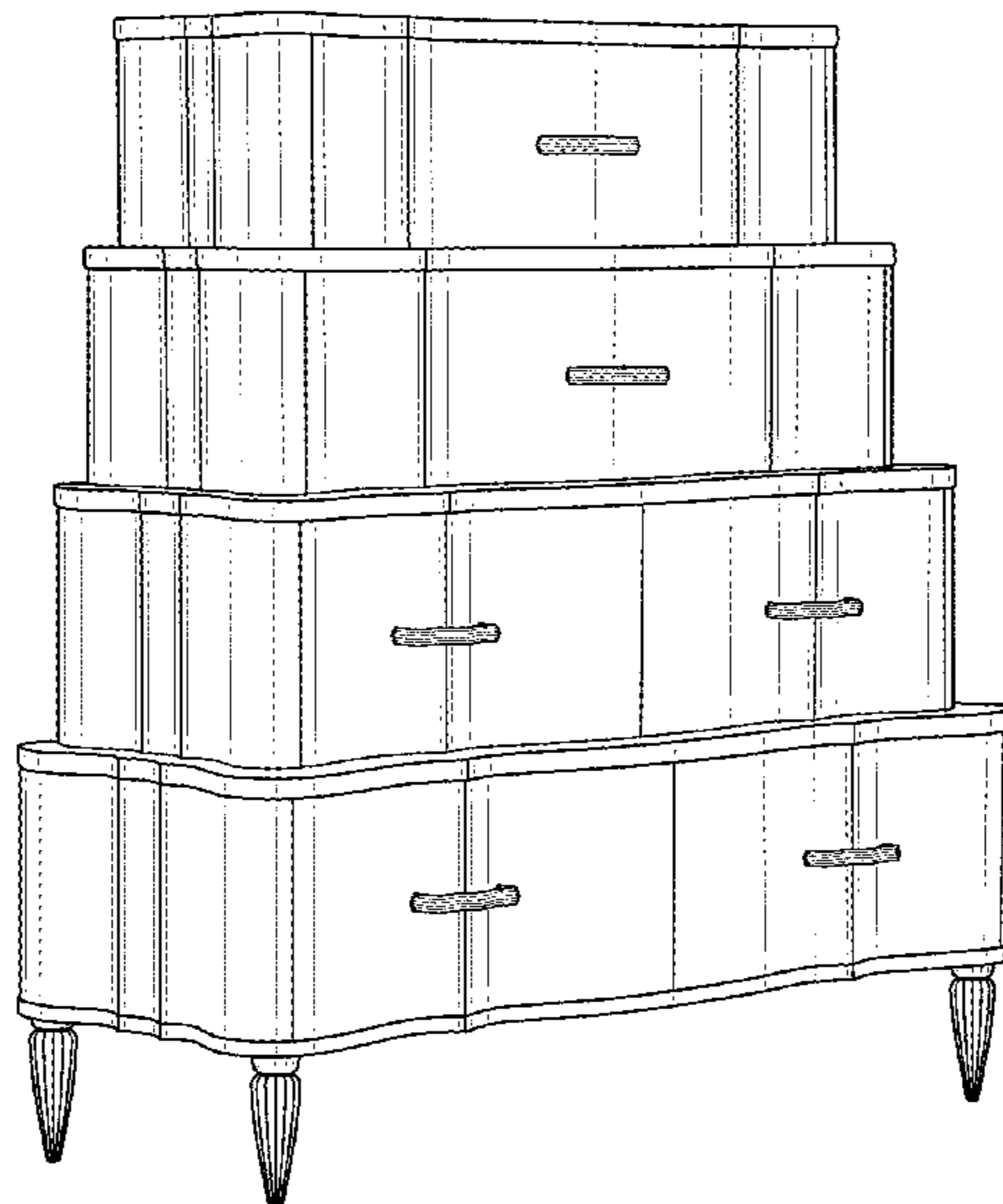
(57) **CLAIM**

I claim the ornamental design for a tiered chest, as shown and described.

DESCRIPTION

FIG. 1 is a perspective view of a tiered chest, showing my new design;
FIG. 2 is a front view thereof;
FIG. 3 is a right side view, the left side (not shown) is a mirror image thereof; and,
FIG. 4 is a top view of my tiered chest.

1 Claim, 4 Drawing Sheets



(56)

References Cited

U.S. PATENT DOCUMENTS

D557,536 S * 12/2007 O'Hare D6/707.22
D559,009 S * 1/2008 Shaw D6/668.2
D560,392 S * 1/2008 Kingsley D6/671.1
D772,613 S * 11/2016 Liu D6/664.1
D791,515 S * 7/2017 Everson D6/668.2
D838,518 S * 1/2019 Knox D6/671.2
D870,484 S * 12/2019 Sumlin D6/393

OTHER PUBLICATIONS

"Twitter—Michael Amini." Found online Mar. 26, 2020 at www.twitter.com. Post dated Jun. 30, 2018. Retrieved from URL: https://twitter.com/AICO_Amini/status/1024044578091855872 (Year: 2018).*

"Interiors Reveals New London Place Collection." Found online Mar. 26, 2020 at www.interiorsfurniture.com. Page dated Mar. 18, 2019. Retrieved from URL: <https://interiorsfurniture.com/interiors-reveals-new-london-place-collection-from-their-exclusive-brand-michael-amini-for-ss19/> (Year: 2019).*

* cited by examiner

FIG. 1



FIG. 2

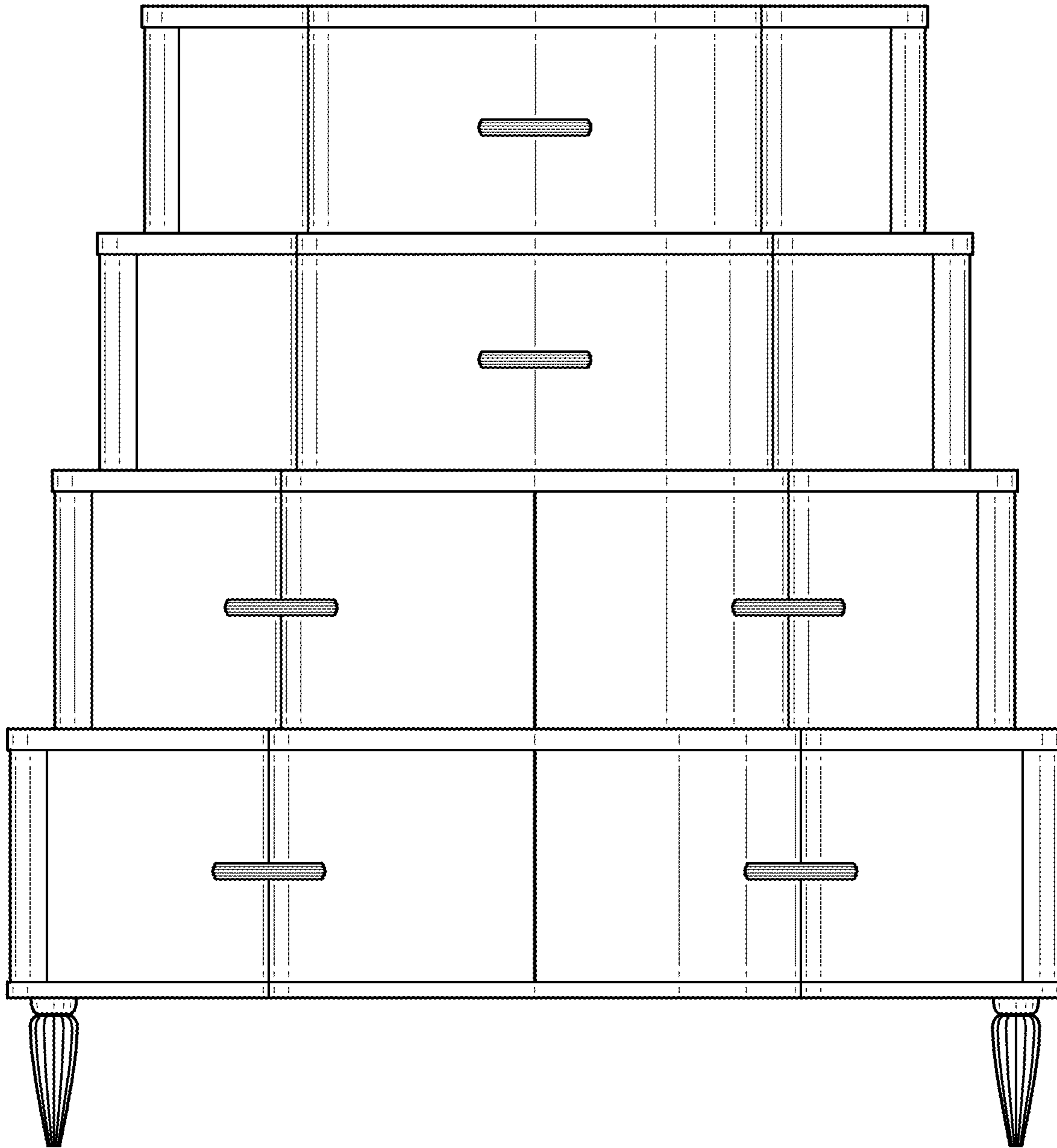


FIG. 3

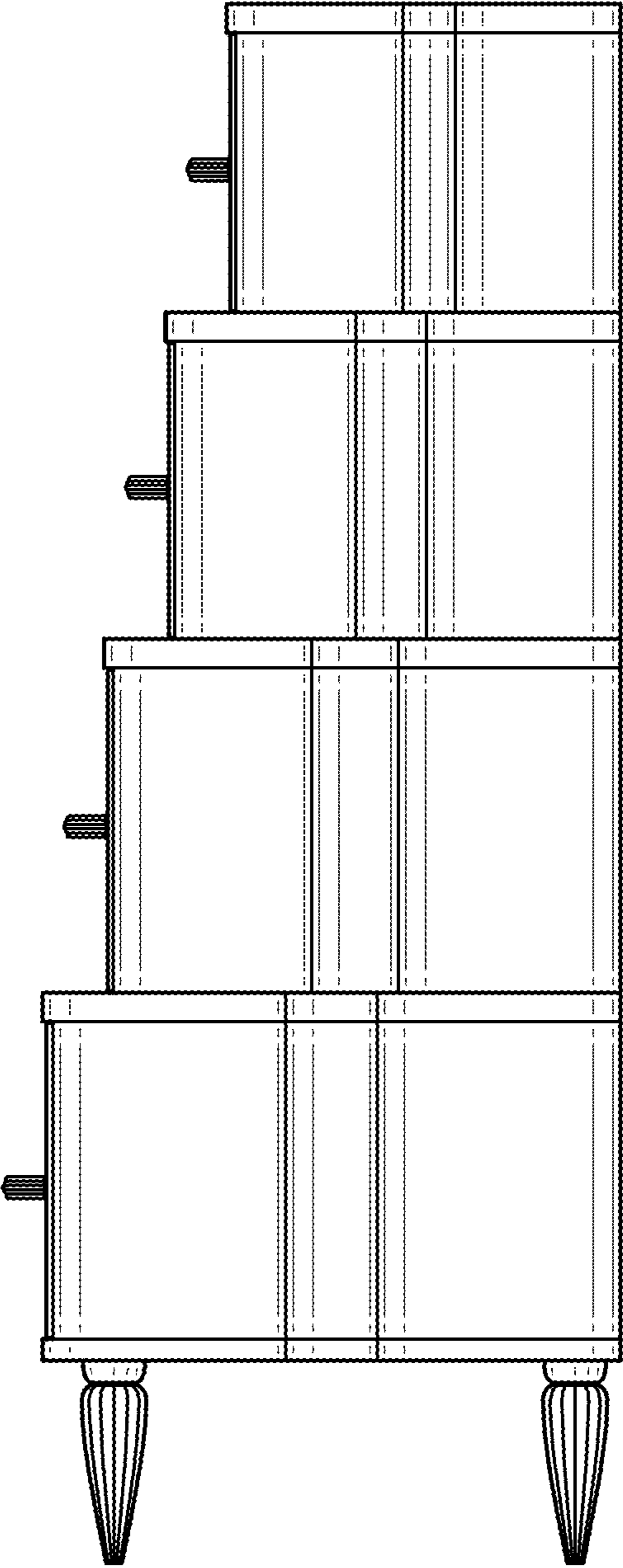


FIG. 4

