



US00D885795S

(12) **United States Design Patent** (10) **Patent No.:** **US D885,795 S**  
**Sumlin** (45) **Date of Patent:** **\*\* Jun. 2, 2020**

(54) **NIGHTSTAND**

(71) Applicant: **Charles Neal Sumlin**, Aguadilla, PR (US)

(72) Inventor: **Charles Neal Sumlin**, Aguadilla, PR (US)

(73) Assignee: **AMINI INNOVATION CORPORATION**, Pico Rivera, CA (US)

(\*\*) Term: **15 Years**

(21) Appl. No.: **29/678,732**

(22) Filed: **Jan. 30, 2019**

(51) **LOC (12) Cl.** ..... **06-04**

(52) **U.S. Cl.**  
USPC ..... **D6/657**

(58) **Field of Classification Search**  
USPC ..... D6/650, 652, 657, 661.3, 663, 665, 668, D6/668.2, 671, 671.1, 671.2, 673, 675, D6/675.1, 686, 691.8, 694, 702  
CPC ..... A47B 46/00; A47B 47/00; A47B 47/022; A47B 47/02; A47B 47/04; A47B 55/00; A47B 67/02; A47B 67/04  
See application file for complete search history.

(56) **References Cited**

**U.S. PATENT DOCUMENTS**

D122,687 S *	9/1940	Kranz	.....	D6/657
D149,527 S *	5/1948	Thomas	.....	D30/104
D150,883 S *	9/1948	Peterson	.....	D6/657
D221,779 S *	9/1971	Deeds	.....	D6/652
D224,636 S *	8/1972	Bell	.....	D6/691.6
D236,777 S *	9/1975	Loomis	.....	D6/675.1
D296,284 S *	6/1988	Colby	.....	D6/690
D338,576 S *	8/1993	Livi	.....	D6/690
D427,814 S *	7/2000	Black	.....	D6/690
D427,815 S *	7/2000	Lewis	.....	D6/349

D443,155 S *	6/2001	Hutton	.....	D6/657
D446,053 S *	8/2001	Wohlford	.....	D6/675.1
D464,500 S *	10/2002	Roberts	.....	D6/651
D470,333 S *	2/2003	Roberts	.....	D6/650
D472,069 S *	3/2003	Sedor	.....	D6/652
D522,770 S *	6/2006	Easton	.....	D6/657
D571,126 S *	6/2008	Roberts	.....	D6/657
D586,151 S *	2/2009	Roberts	.....	D6/667
D615,776 S *	5/2010	Bauchet	.....	D6/675
D634,562 S *	3/2011	Bauchet	.....	D6/657
D717,569 S *	11/2014	Davis	.....	D6/657
D728,282 S *	5/2015	Tongue	.....	D6/675
D743,716 S *	11/2015	Dillon	.....	D6/643
D759,995 S *	6/2016	Miller	.....	D6/668.2
D783,787 S *	4/2017	Kurz	.....	D23/286

(Continued)

**OTHER PUBLICATIONS**

“Trinity 2 Drawer Nightstand.” Found online Mar. 23, 2020 at [www.wayfair.com](https://www.wayfair.com). Product reviewed Jun. 19, 2017. Retrieved from URL: <https://www.wayfair.com/furniture/pdp/langley-street-trinity-2-drawer-nightstand-w001540770.html> (Year: 2017).\*

(Continued)

*Primary Examiner* — Mary Ann Calabrese  
*Assistant Examiner* — Katelin G Kloberg  
(74) *Attorney, Agent, or Firm* — Cislo & Thomas, LLP

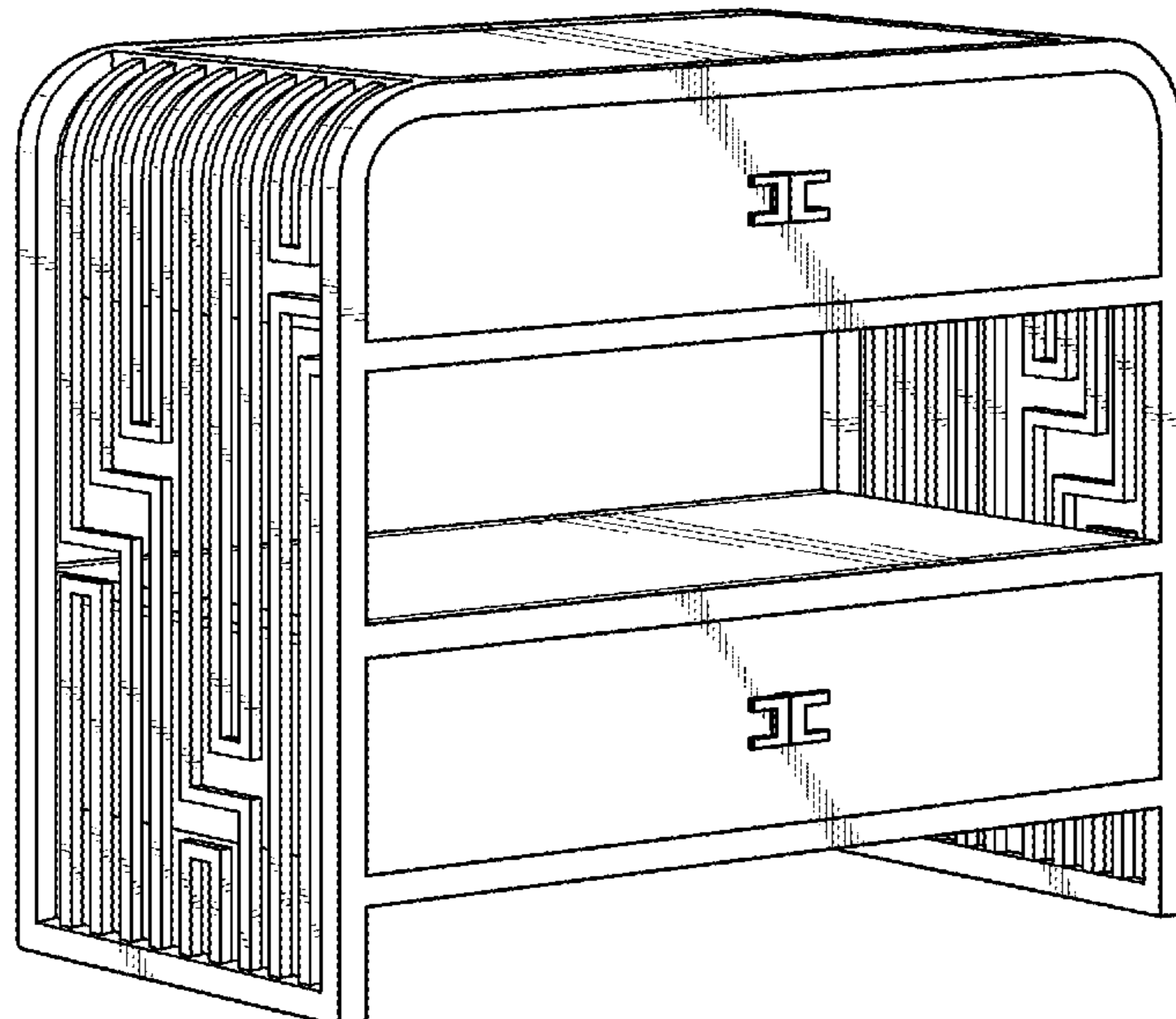
(57) **CLAIM**

I claim the ornamental design for a nightstand, as shown and described.

**DESCRIPTION**

FIG. 1 is a front perspective view of a nightstand, showing my new design;  
FIG. 2 is a front view thereof;  
FIG. 3 is a right side view thereof;  
FIG. 4 is a left side view thereof; and,  
FIG. 5 is a top plan view thereof.

**1 Claim, 5 Drawing Sheets**



(56)

**References Cited**

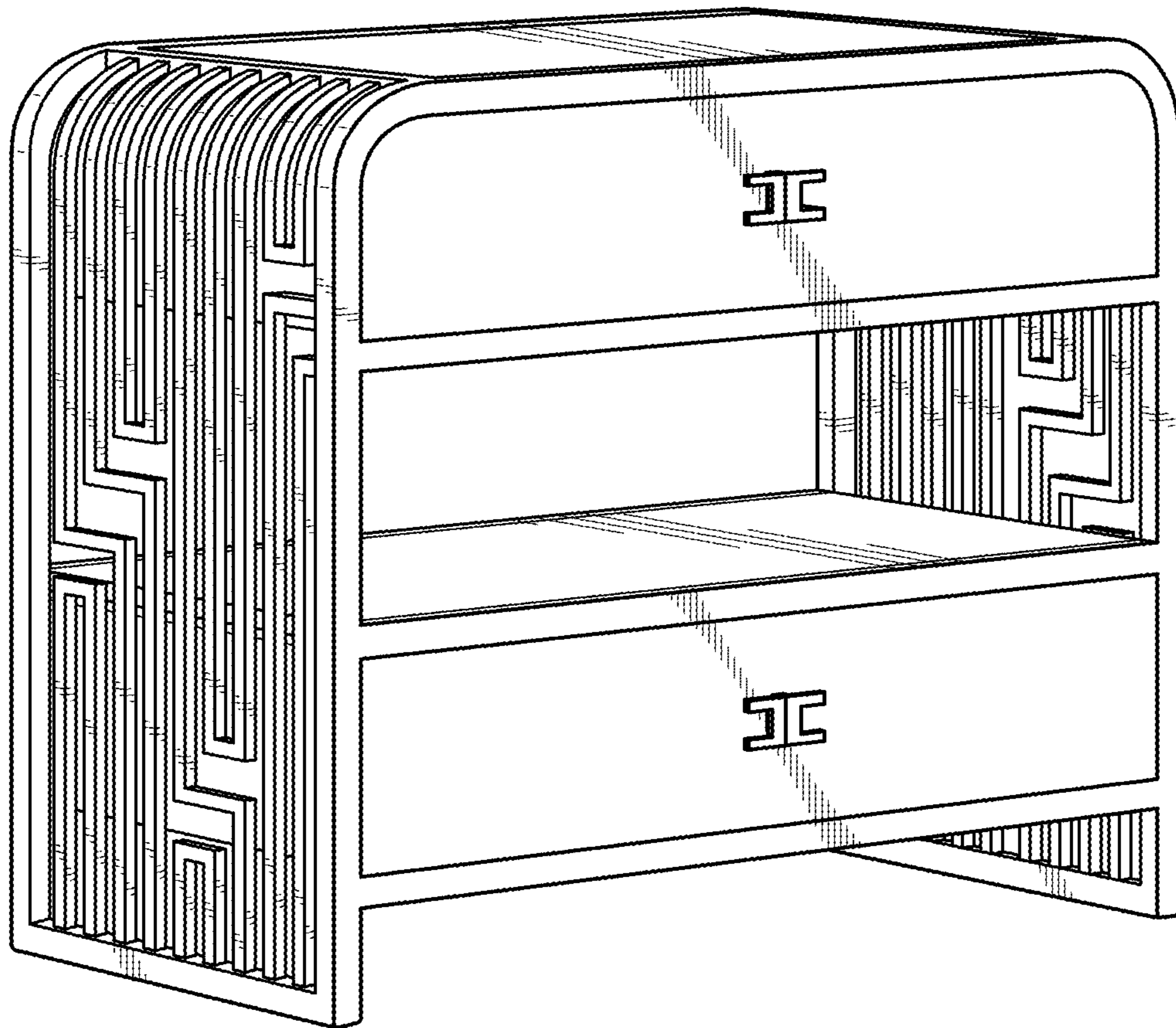
U.S. PATENT DOCUMENTS

D787,238 S \* 5/2017 Miller ..... D6/657  
D816,376 S \* 5/2018 Burden ..... D6/671  
D821,788 S \* 7/2018 Velez ..... D6/687  
D822,420 S \* 7/2018 Paterson ..... A47C 4/03  
D6/716  
D848,211 S \* 5/2019 Abatemarco, Jr. .... D7/397  
D865,412 S \* 11/2019 Guo ..... D6/671.1  
D876,130 S \* 2/2020 Dash ..... D6/671

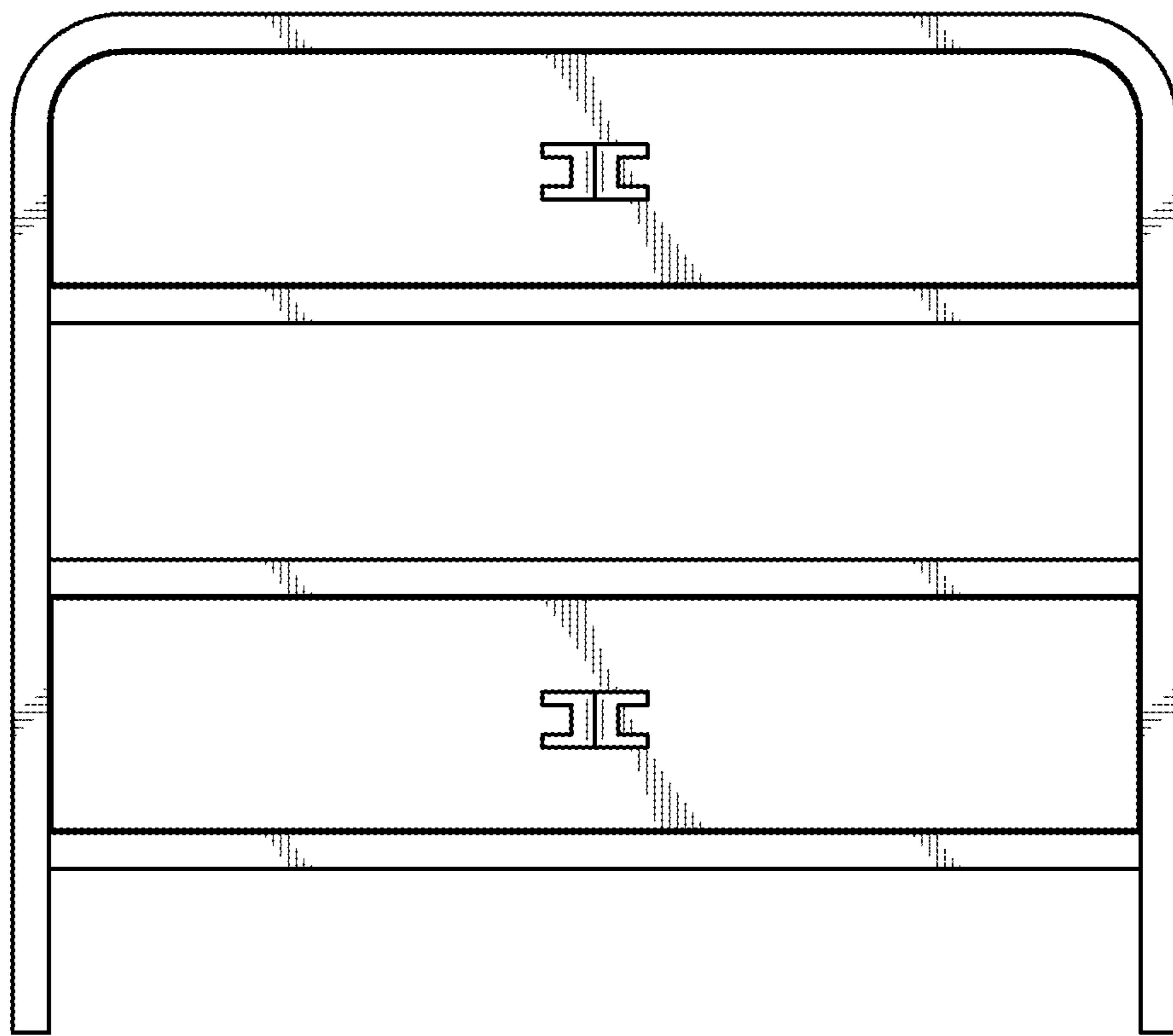
OTHER PUBLICATIONS

“Chinese Vintage Finish Geometric Pattern Wood Panel Screen.”  
Found online Mar. 23, 2020 at [www.amazon.com](http://www.amazon.com). Product first  
available Aug. 18, 2016. Retrieved from URL: [https://www.amazon.  
com/Chinese-Vintage-Geometric-Pattern-Acs3143/dp/  
B076MF1M26](https://www.amazon.com/Chinese-Vintage-Geometric-Pattern-Acs3143/dp/B076MF1M26) (Year: 2016).\*

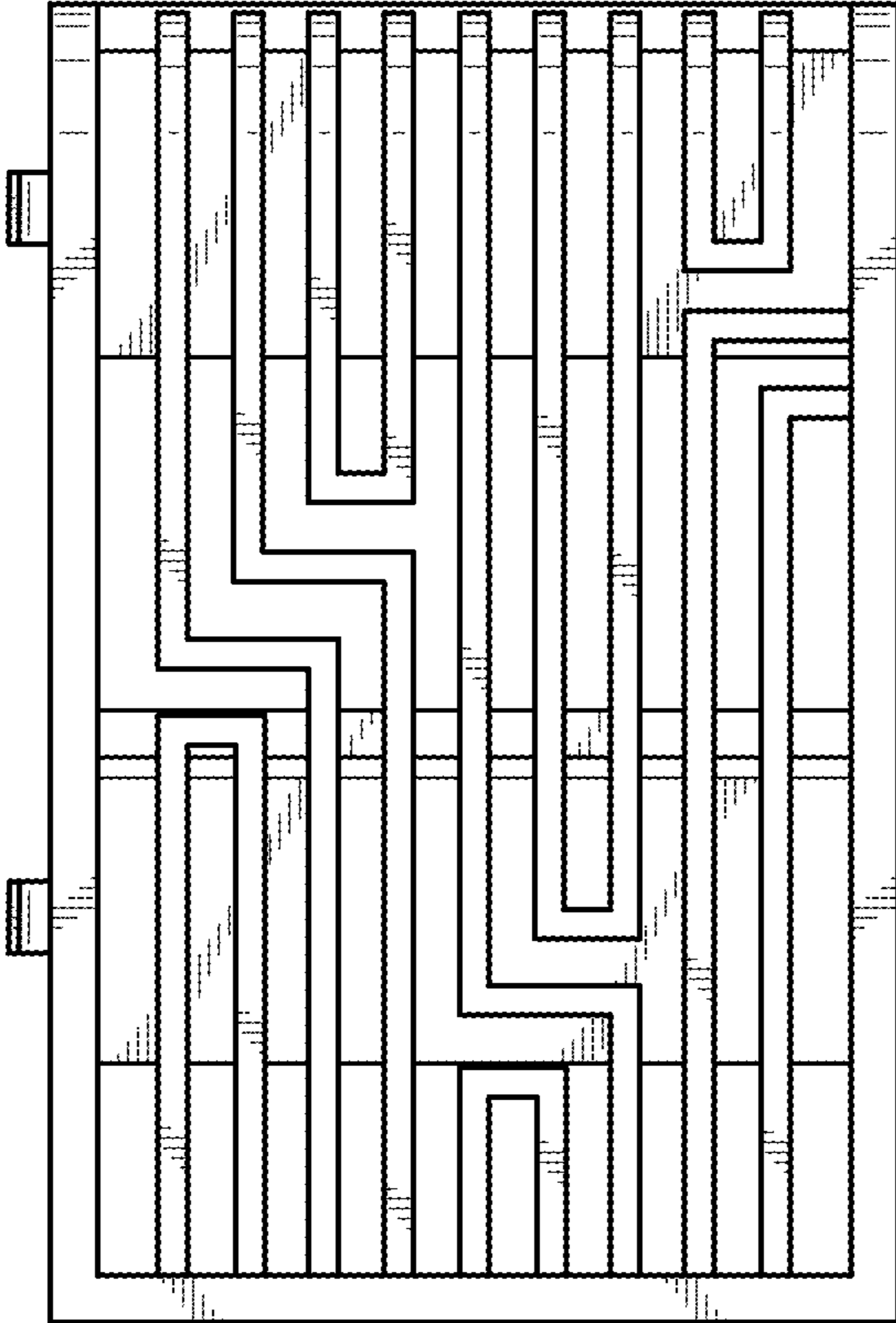
\* cited by examiner



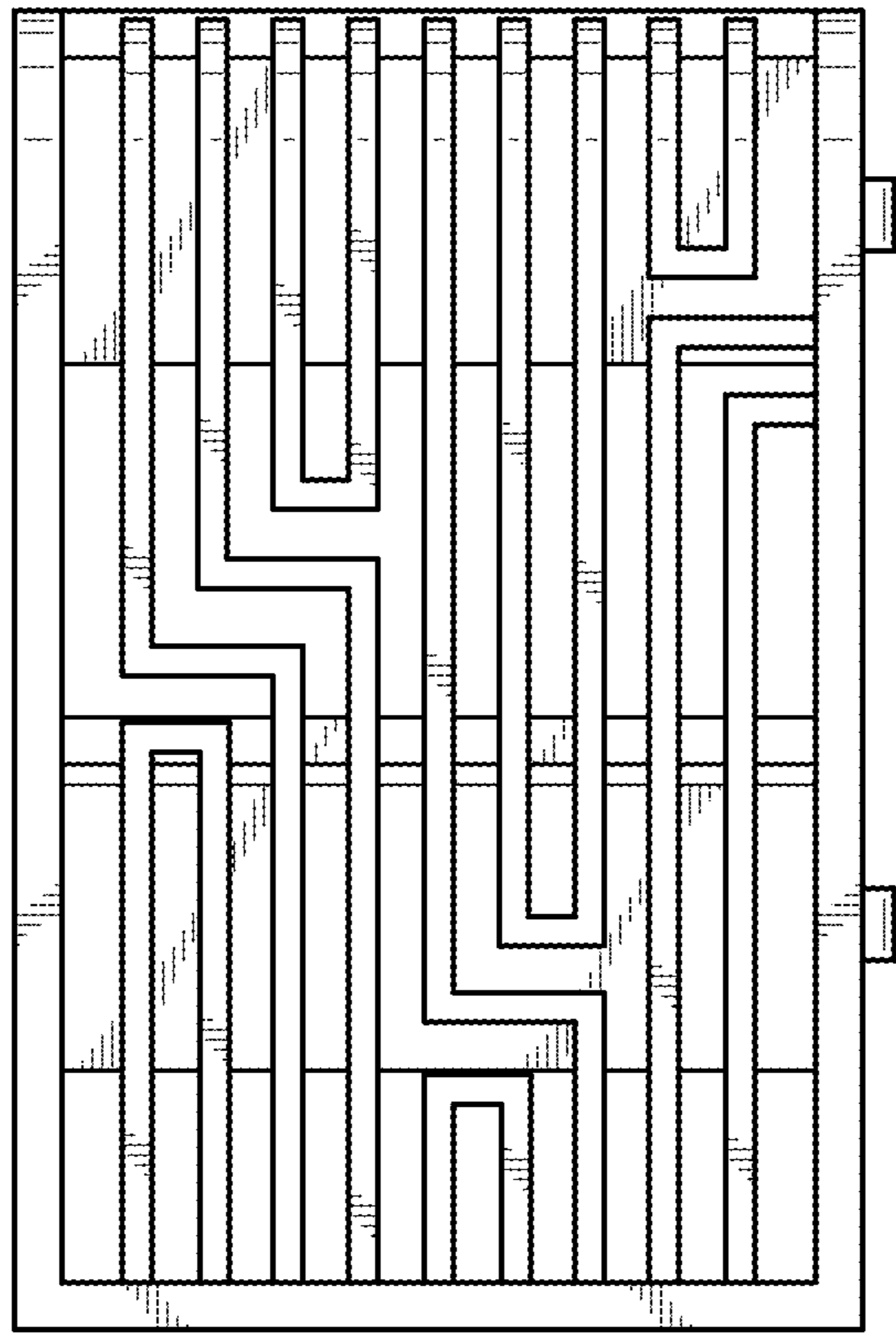
*FIG. 1*



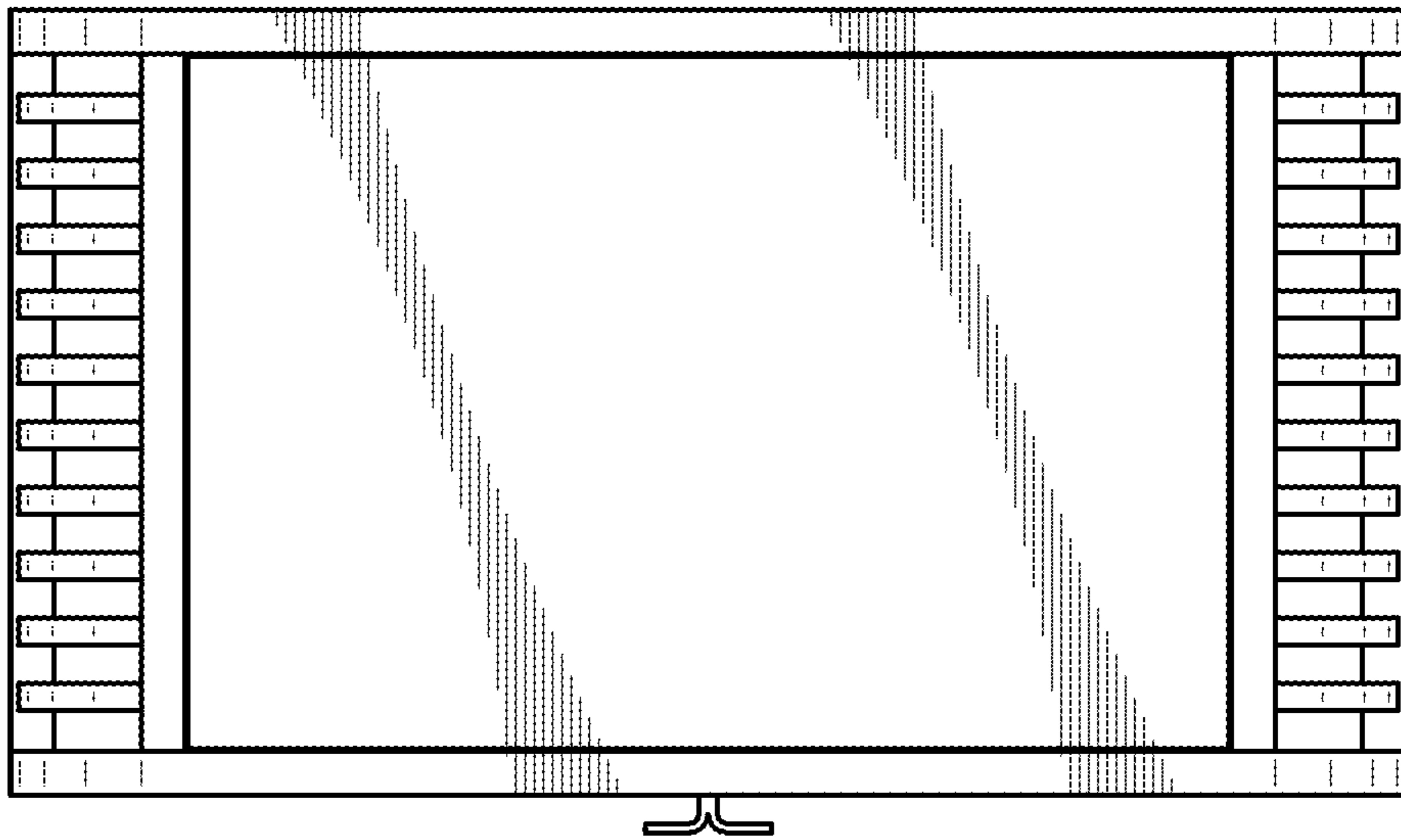
*FIG. 2*



**FIG. 3**



**FIG. 4**



*FIG. 5*