



US00D885794S

(12) **United States Design Patent**
Oakley et al.

(10) **Patent No.:** **US D885,794 S**
(45) **Date of Patent:** **** Jun. 2, 2020**

- (54) **DESK**
- (71) Applicant: **Regency Seating, Inc.**, Akron, OH (US)
- (72) Inventors: **William Oakley**, Akron, OH (US);
John Summerville, Uniontown, OH (US)
- (73) Assignee: **Regency Seating, Inc.**, Akron, OH (US)
- (**) Term: **15 Years**
- (21) Appl. No.: **29/649,859**
- (22) Filed: **Jun. 1, 2018**
- (51) **LOC (12) Cl.** **06-03**
- (52) **U.S. Cl.**
USPC **D6/649**
- (58) **Field of Classification Search**
USPC D6/640, 641, 642, 643, 643.1, 644, 645,
D6/647, 648, 649, 650, 652, 652.1, 652.2,
D6/653, 653.1, 656.16, 656.17, 700, 706,
D6/713, 714, 708.24
CPC . A47F 3/00; A47F 3/142; A47B 57/00; A47B
57/30; A47B 57/40; A47B 87/00; E04B
2/744; E04B 2/7407; E04B 2/7416; E04B
2002/7483
See application file for complete search history.

- D215,732 S * 10/1969 Cornish D6/649
- 3,512,857 A * 5/1970 Butera A47B 17/006
312/107
- 3,858,528 A * 1/1975 Petersen A47B 19/00
108/60
- 3,869,992 A * 3/1975 Kramer A47B 41/00
108/60
- 3,931,771 A * 1/1976 Kramer A47B 41/00
108/77
- D249,609 S * 9/1978 Kramer D6/643
- D328,990 S * 9/1992 Kwiescinski D6/649
- D341,040 S * 11/1993 Maffei D6/644
- D357,141 S * 4/1995 Park D6/656.15
- D555,400 S * 11/2007 Kowalik D6/656

* cited by examiner

Primary Examiner — Mary Ann Calabrese
Assistant Examiner — Catherine Ho
(74) *Attorney, Agent, or Firm* — Edwin A. Sisson,
Attorney at Law, LLC; Jeffrey J. Banyas

(57) **CLAIM**

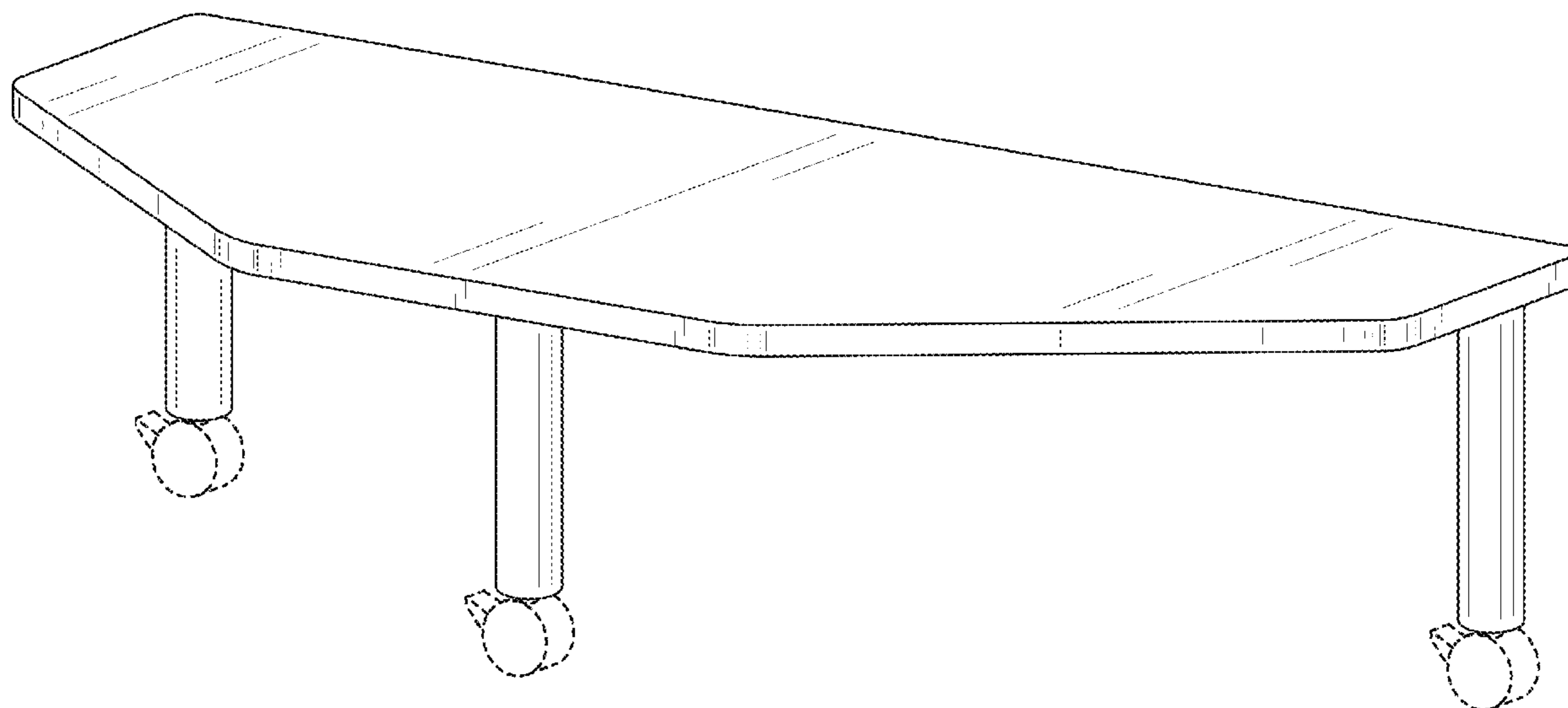
The ornamental design for a desk, as shown and described.

DESCRIPTION

FIG. 1 is a perspective front view of a desk;
FIG. 2 is a front view of the desk;
FIG. 3 is a rear view of the desk;
FIG. 4 is a right side view of the desk;
FIG. 5 is a left side view of the desk;
FIG. 6 is a top view of the desk; and,
FIG. 7 is a bottom view of the desk.
The broken line portion of the figure drawings is included to show portions of the article that form no part of the claimed design.

1 Claim, 7 Drawing Sheets

- (56) **References Cited**
U.S. PATENT DOCUMENTS
D149,416 S * 4/1948 Jones D6/649
D197,652 S * 3/1964 Courtwright D6/643.1



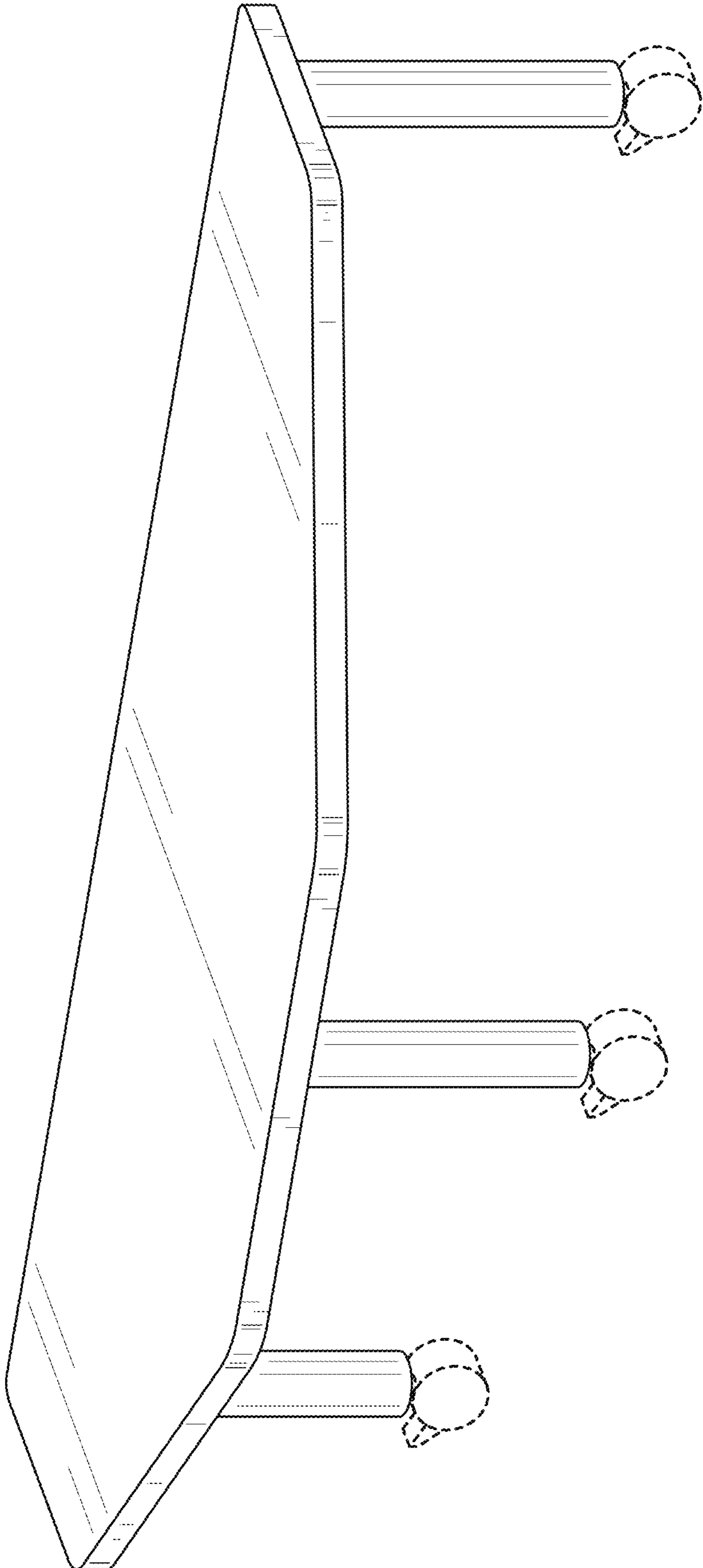


FIG. 1

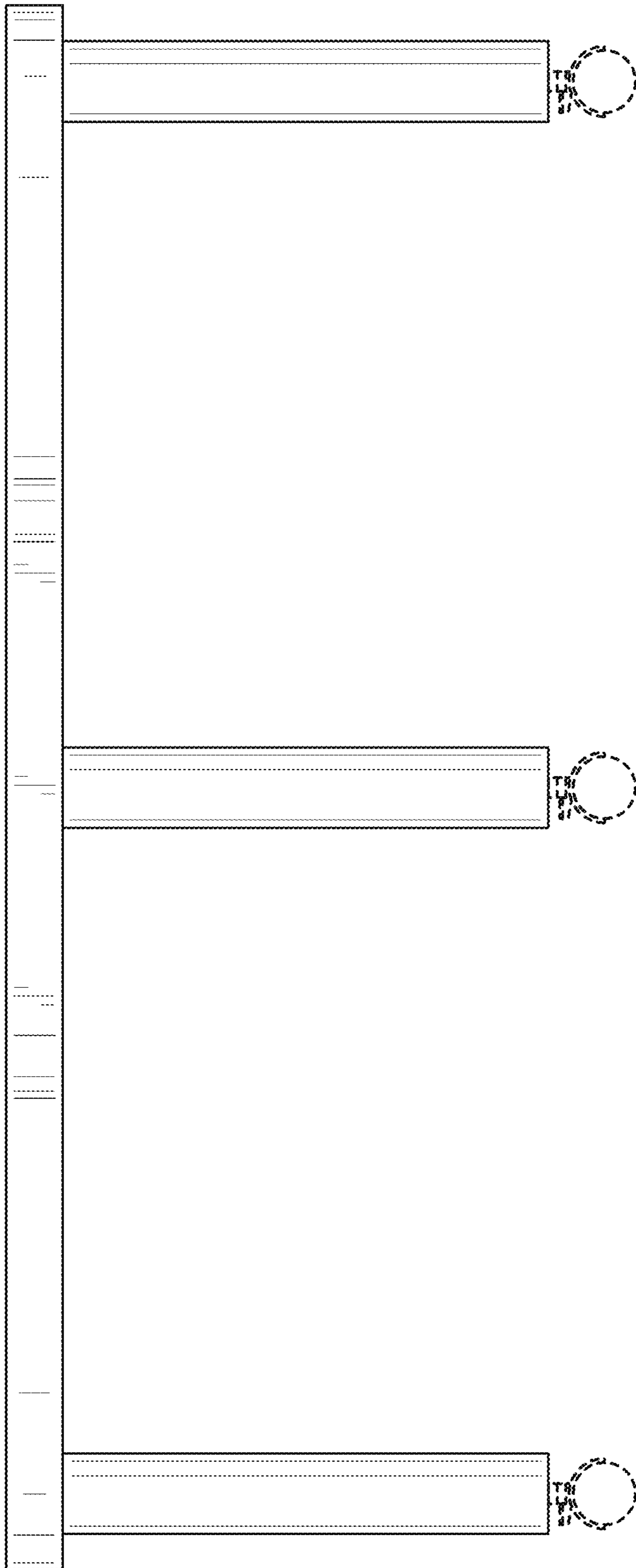


FIG. 2

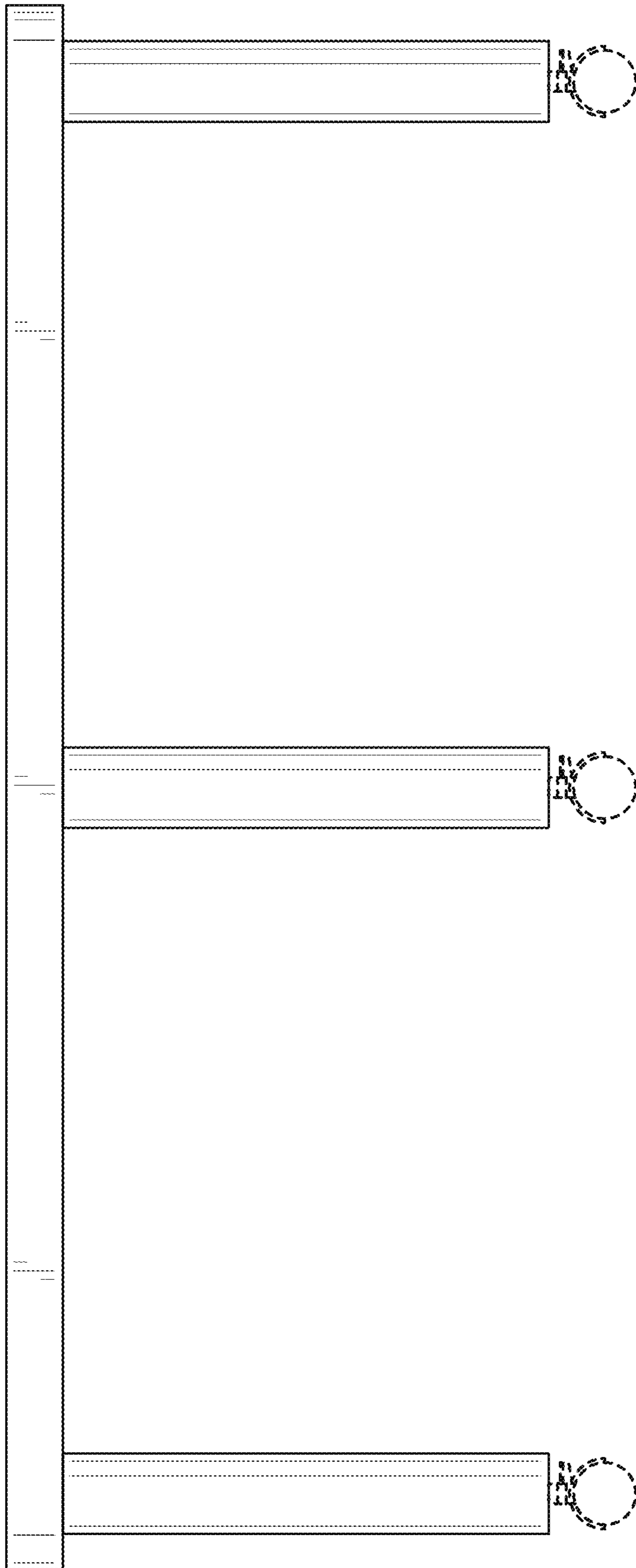


FIG. 3

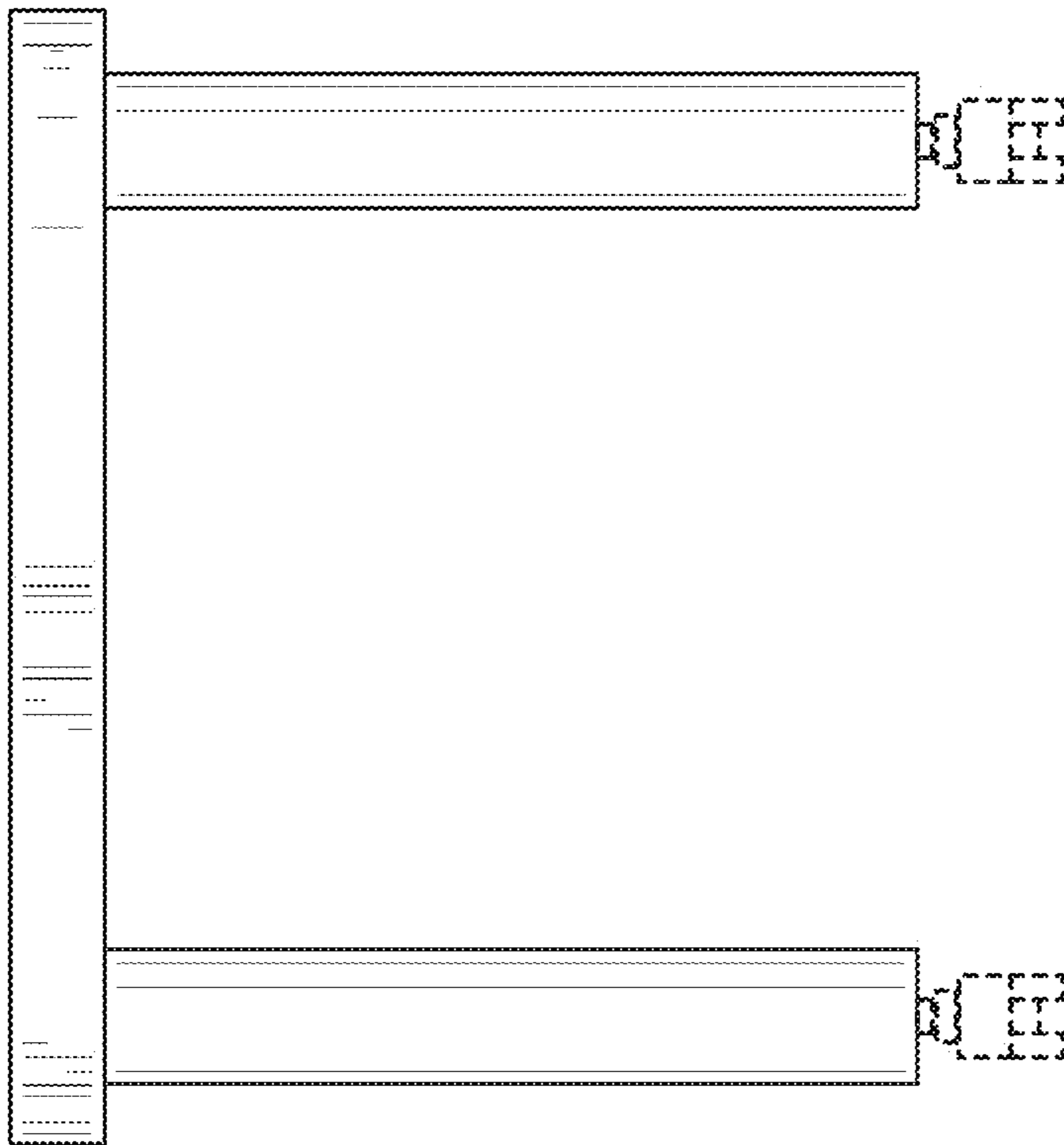


FIG. 4

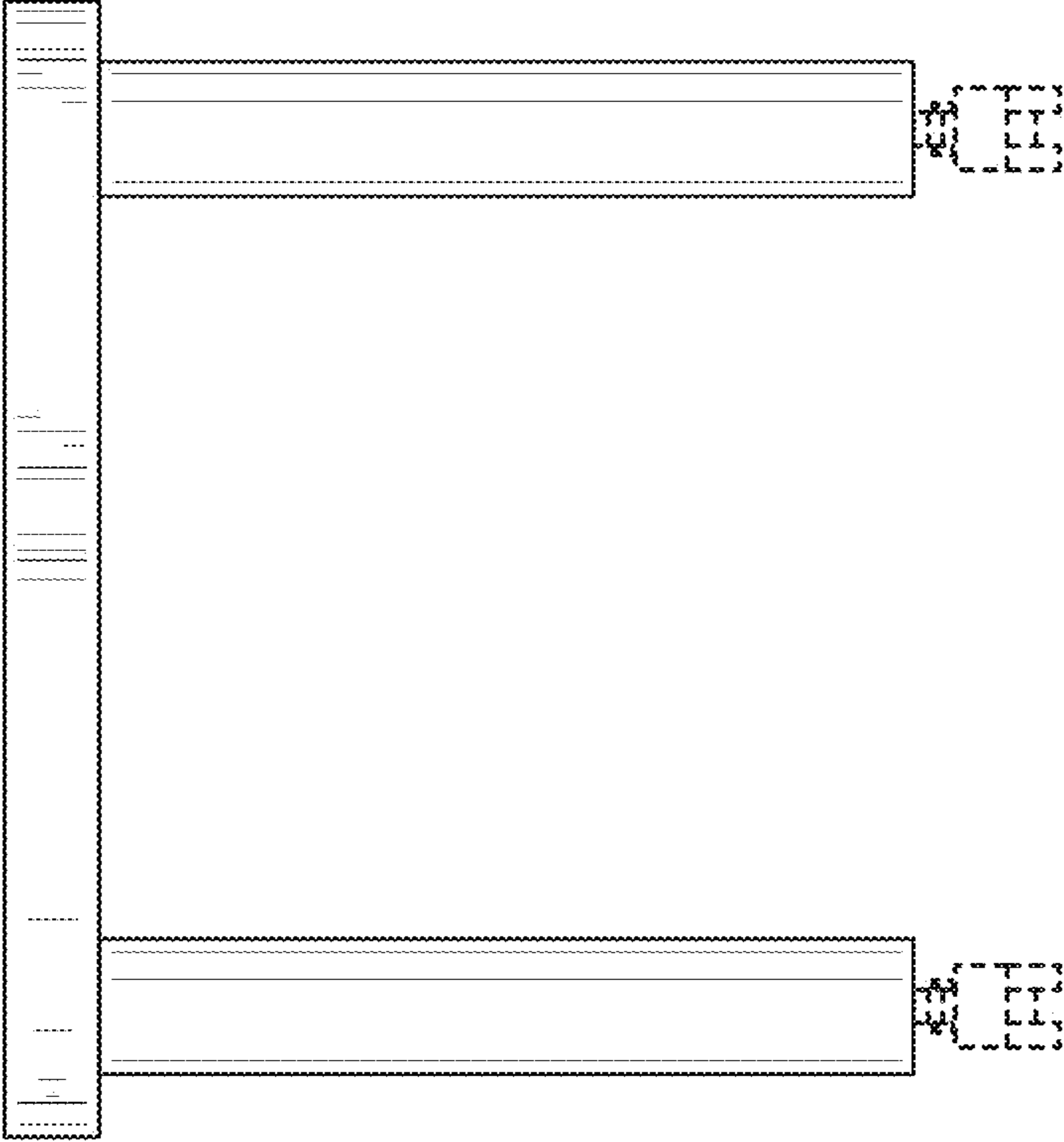


FIG. 5

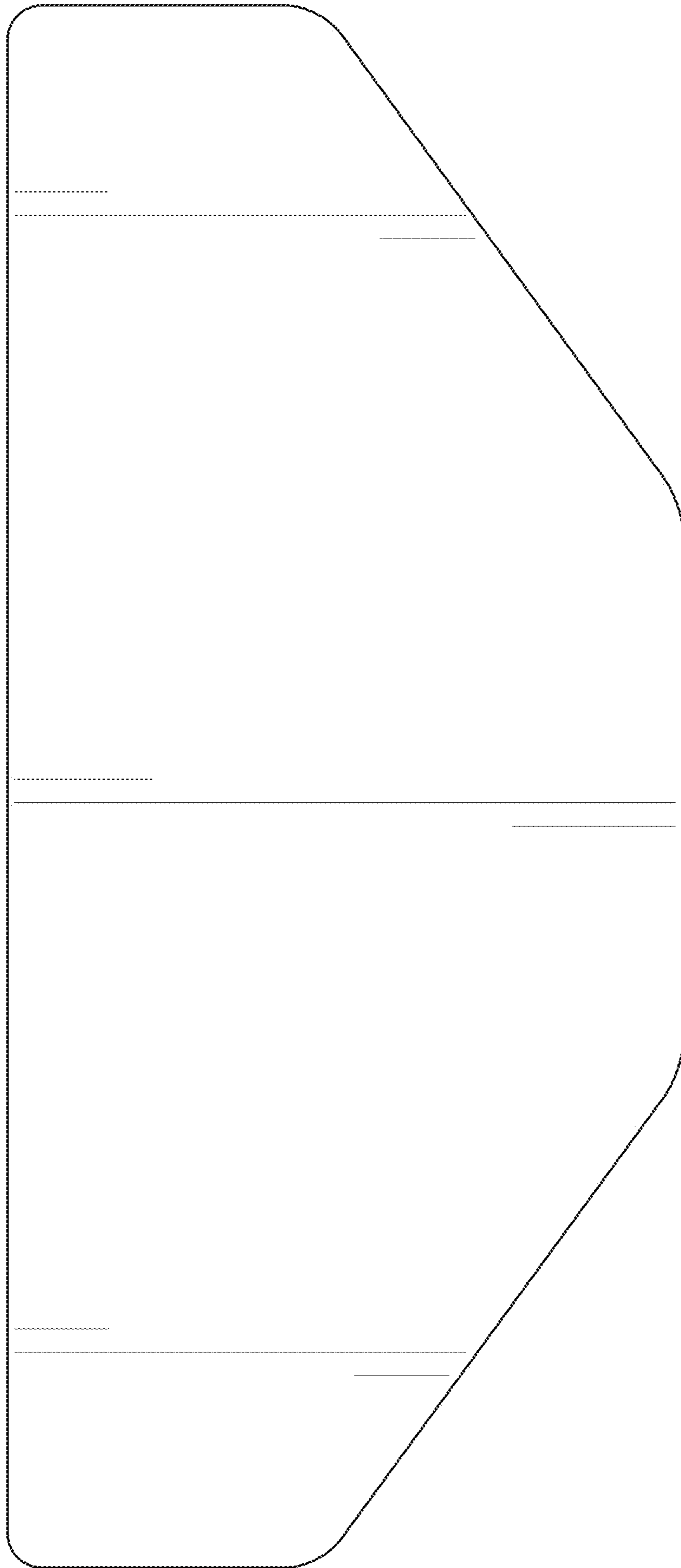


FIG. 6

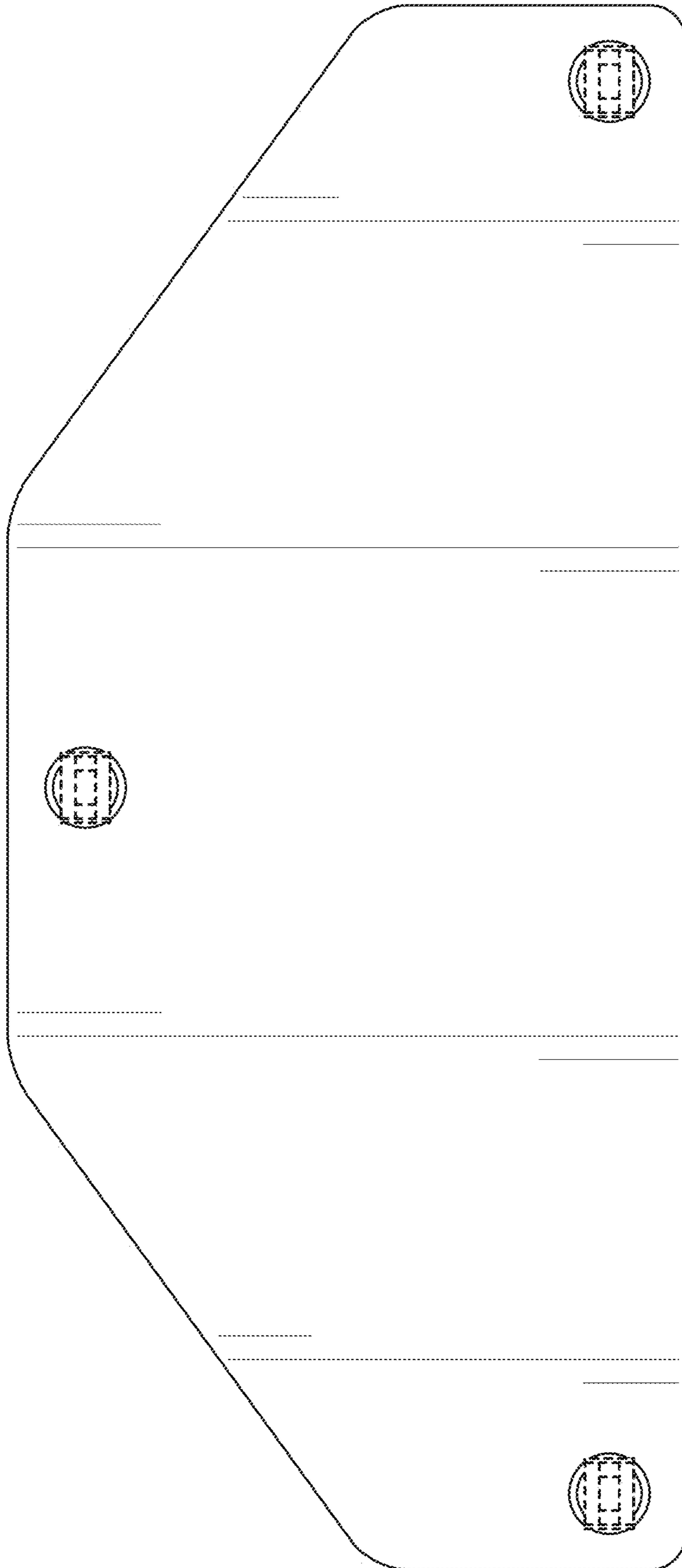


FIG. 7