



US00D885788S

(12) **United States Design Patent** (10) **Patent No.:** **US D885,788 S**
Tsai (45) **Date of Patent:** **** Jun. 2, 2020**

(54) **TOWEL HOLDER**
(71) Applicant: **Tsung-Yu Tsai**, Changhua (TW)
(72) Inventor: **Tsung-Yu Tsai**, Changhua (TW)
(**) Term: **15 Years**
(21) Appl. No.: **29/645,010**
(22) Filed: **Apr. 23, 2018**
(51) **LOC (12) Cl.** **23-02**
(52) **U.S. Cl.**
USPC **D6/522**
(58) **Field of Classification Search**
USPC D6/518-523; 211/13.1, 16, 85.5, 86.01,
211/87.01, 88.04, 100, 105.1, 105.2, 106,
211/113, 123, 181.1, 182-183; 248/49,
248/175, 176.1, 200, 201, 205.1, 251,
248/302, 309.1, 315; D8/300, 370, 315;
108/28-29; 242/570, 590, 595-598
CPC A47K 10/40; A47K 10/3836; A47K 10/22;
A47K 10/38; A47K 2010/389; A47K
2010/3233; A47K 2010/3872
See application file for complete search history.

(56) **References Cited**
U.S. PATENT DOCUMENTS
D261,337 S * 10/1981 Fink D6/549
D264,406 S * 5/1982 Arnott D6/522
D283,977 S * 5/1986 Kunzler D8/301
D308,891 S * 6/1990 Harris D19/69

D368,840 S * 4/1996 Scholl D8/302
D395,567 S * 6/1998 Hollinger D6/521
D427,572 S * 7/2000 Solomon D14/439
D551,478 S * 9/2007 Dretzka D6/522
D589,778 S * 4/2009 Pratt D8/317
D739,158 S * 9/2015 Pan D6/518
D784,727 S * 4/2017 Goodman D6/513
2005/0127085 A1 * 6/2005 Patterson A47K 10/38
221/46
2015/0115119 A1 * 4/2015 Hart A61G 5/14
248/274.1

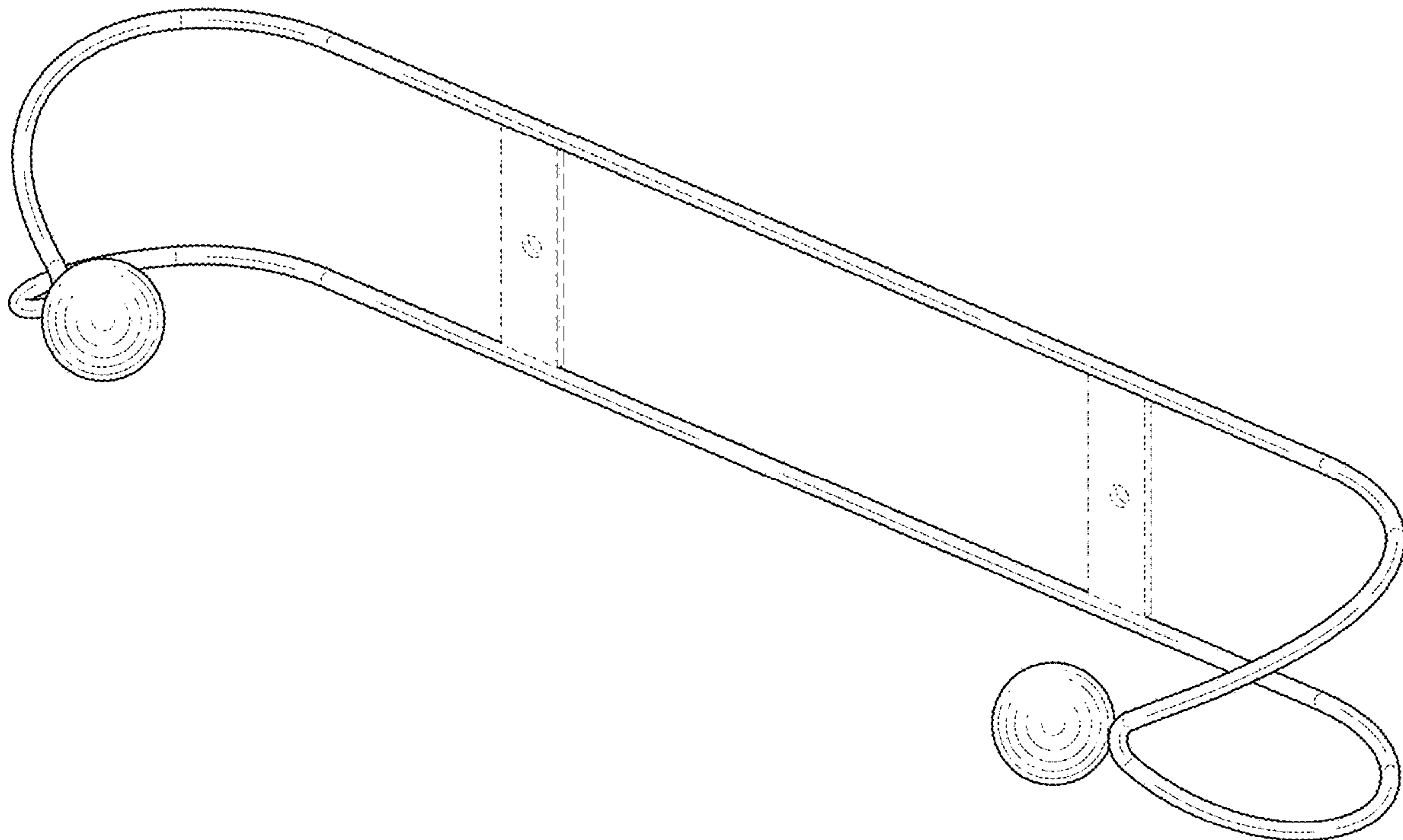
* cited by examiner

Primary Examiner — Nathan M Johnston
(74) *Attorney, Agent, or Firm* — Muncy, Geissler, Olds & Lowe, P.C.

(57) **CLAIM**
The ornamental design for a towel holder, as shown and described.

DESCRIPTION
FIG. 1 is a perspective view of a towel holder, showing the new design;
FIG. 2 is a front elevational view thereof;
FIG. 3 is a rear elevational view thereof;
FIG. 4 is a left side elevational view thereof;
FIG. 5 is a right side elevational view thereof;
FIG. 6 is a top plan view thereof; and,
FIG. 7 is a bottom plan view thereof.
The broken lines shown in FIGS. 1-5 depict portions of the towel holder that forms no part of the claimed design.

1 Claim, 6 Drawing Sheets



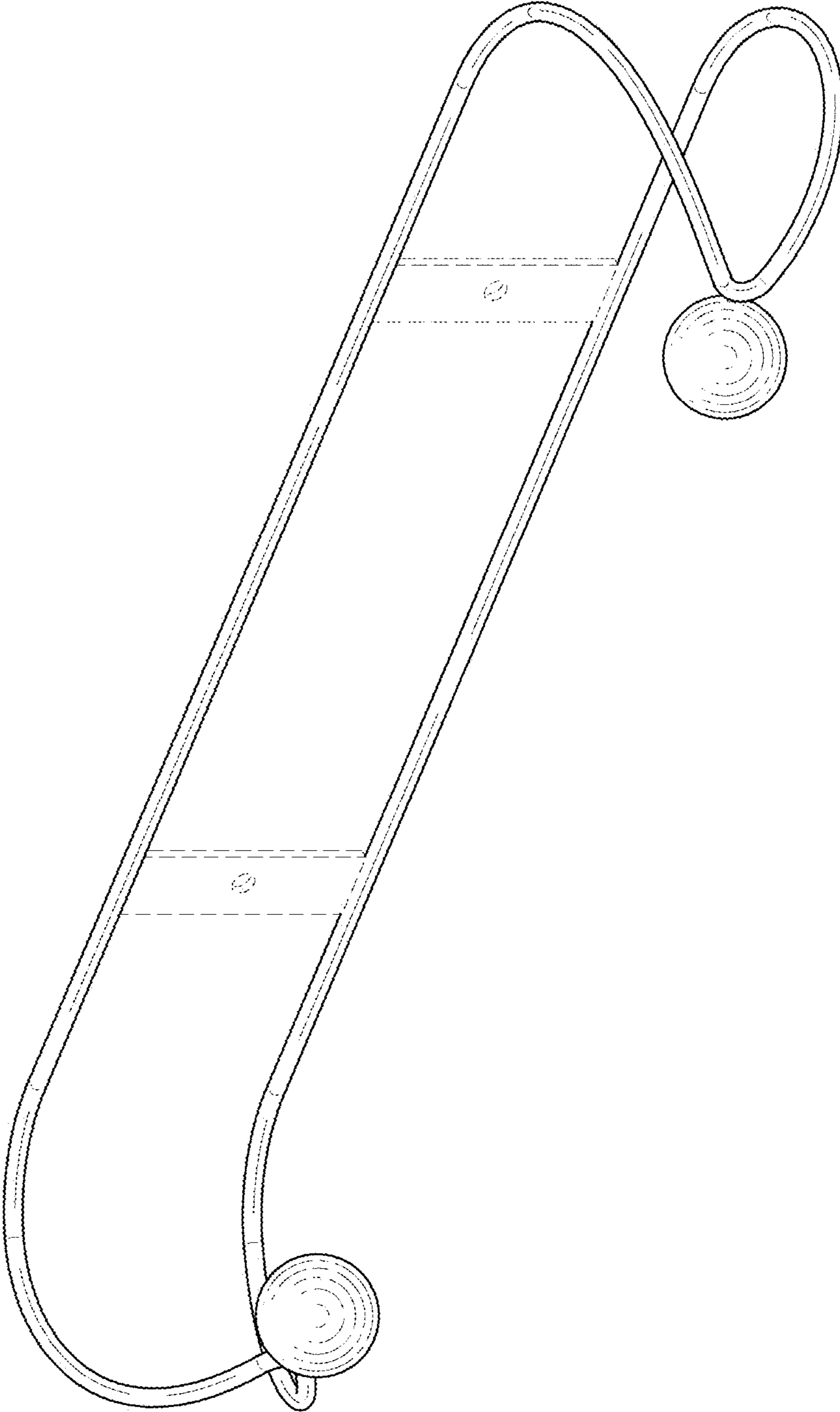


FIG. 1

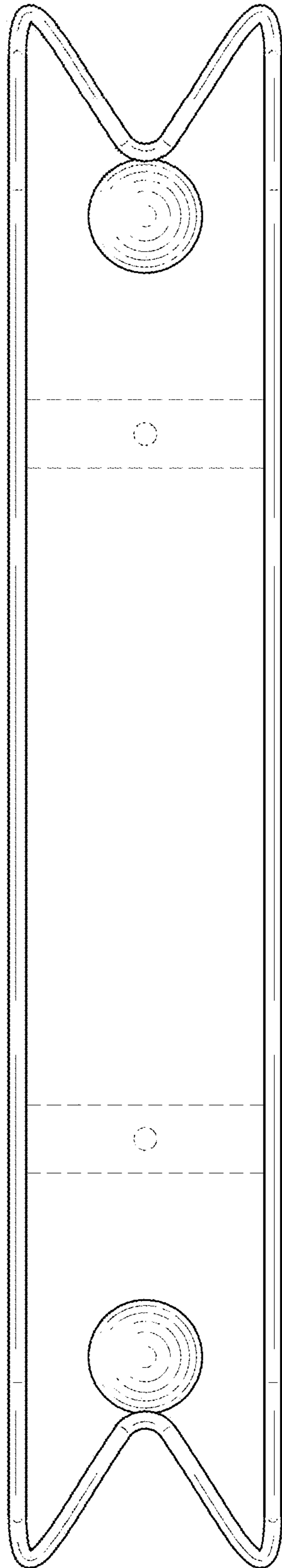


FIG. 2

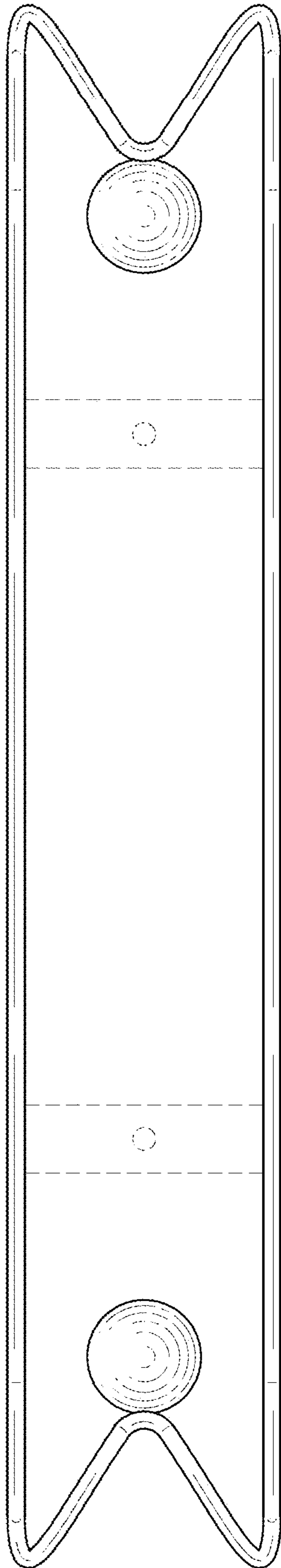


FIG. 3

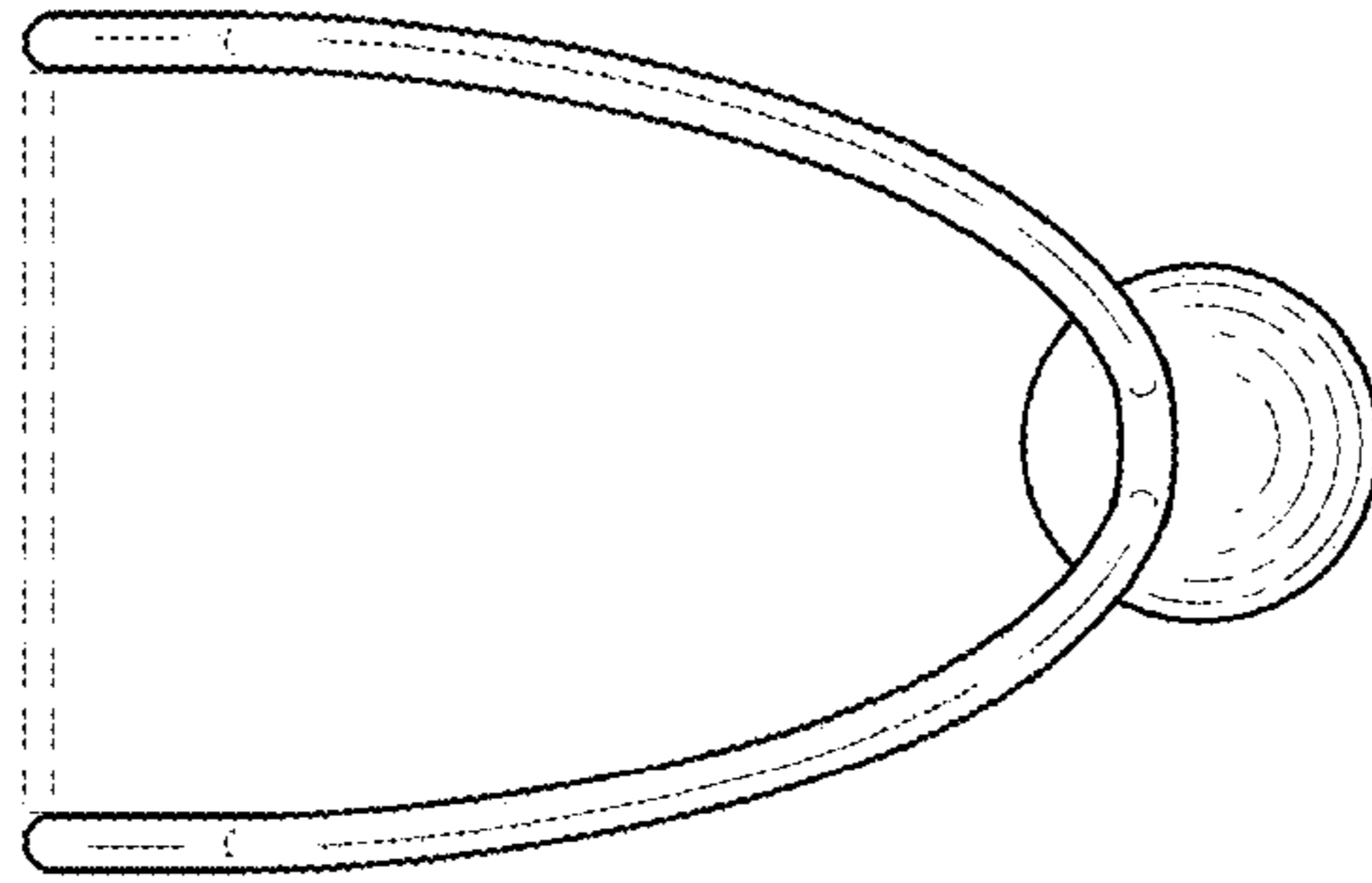


FIG. 4

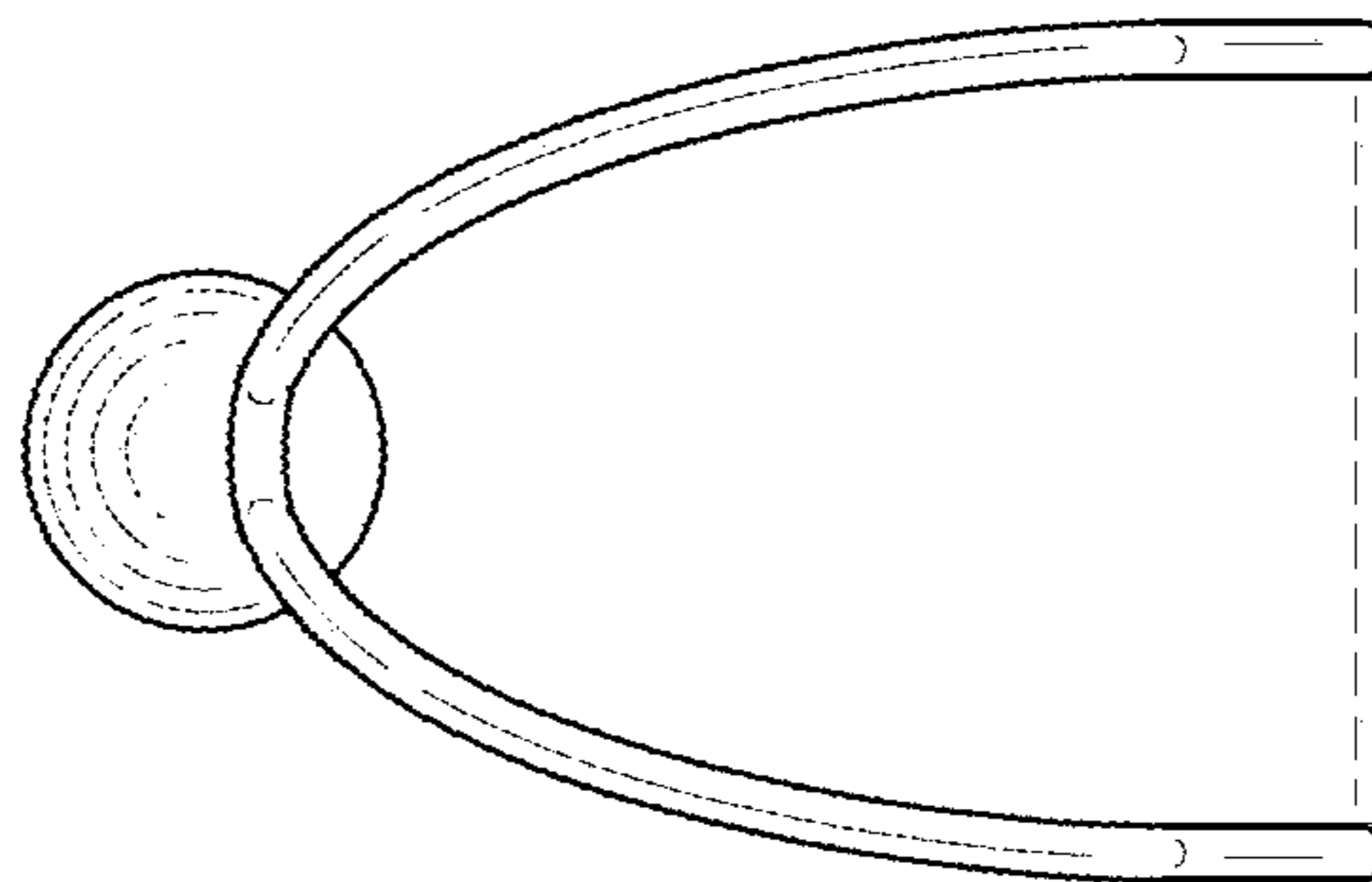


FIG. 5

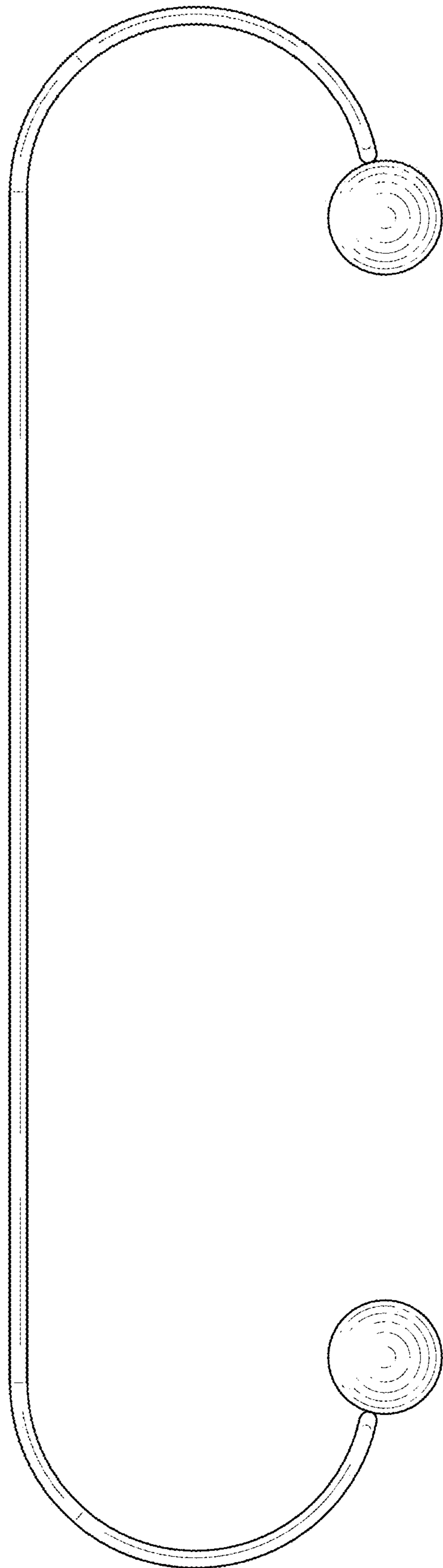


FIG. 6

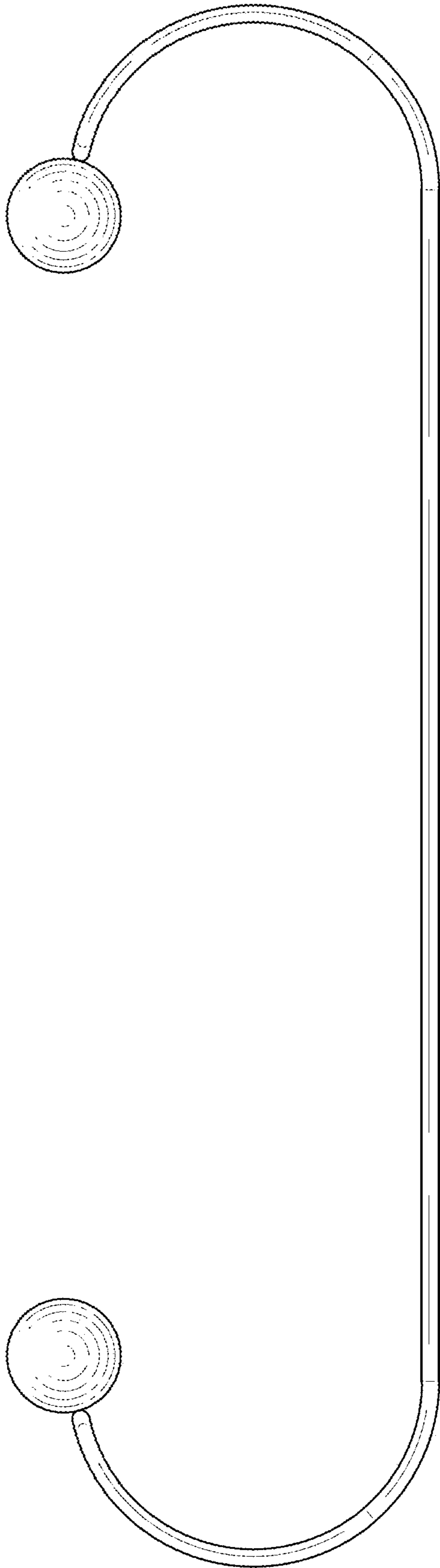


FIG. 7