



US00D885787S

(12) **United States Design Patent**
Huang

(10) **Patent No.:** **US D885,787 S**

(45) **Date of Patent:** **** Jun. 2, 2020**

(54) **FILM DISPENSER**

(71) Applicant: **Yu-Chun Huang**, Taichung (CN)

(72) Inventor: **Yu-Chun Huang**, Taichung (CN)

(**) Term: **15 Years**

(21) Appl. No.: **29/666,438**

(22) Filed: **Oct. 12, 2018**

(51) **LOC (12) Cl.** **07-07**

(52) **U.S. Cl.**
USPC **D6/521**

(58) **Field of Classification Search**
USPC D6/515–523; 211/13.1; 248/309.1,
248/309.2, 905; 242/270, 590; 206/225,
206/233, 389, 391; 221/26, 33, 282–283;
222/173, 180
CPC ... B65B 67/085; B65B 11/045; B65B 11/025;
B65H 16/005; B65H 2402/41; B65H
75/185; B65H 2701/1944; B65H
2301/418526; B65H 75/241; B65H
2403/731; B65H 2511/12; B65H 2220/04
See application file for complete search history.

(56) **References Cited**

U.S. PATENT DOCUMENTS

2,707,595	A *	5/1955	Brown	A47K 10/3836 242/422.4
D205,184	S *	7/1966	Johnson	D6/407
4,714,211	A *	12/1987	Hwang	B65B 67/085 242/423.1
5,529,260	A *	6/1996	Wirick	A47K 10/38 242/596.8
D371,483	S *	7/1996	Haarmeyer	D6/520
D382,429	S *	8/1997	Goldstein	D6/521
6,378,800	B1 *	4/2002	Apichom	A47K 10/40 242/560
6,467,717	B1 *	10/2002	Pedicano	A47K 10/3836 242/422.5

D499,915	S *	12/2004	Snell	D6/521
D562,042	S *	2/2008	Shek	D6/521
7,357,349	B1 *	4/2008	Huang	B65B 67/085 242/405.3
D576,831	S *	9/2008	Zasloff	D6/574
D626,771	S *	11/2010	Shek	D6/521
D658,416	S *	5/2012	Strickland	D6/553
D661,144	S *	6/2012	Rothschild	D6/515
D670,115	S *	11/2012	Seehoff	D6/521
D753,410	S *	4/2016	Wlezien	D6/518
D761,039	S *	7/2016	Locker	D6/521
D778,634	S *	2/2017	Locker	D6/521
D806,433	S *	1/2018	Roberts	D6/523
D814,210	S *	4/2018	Klipshtein	D6/521
2008/0078855	A1 *	4/2008	Forman	A47K 10/3836 242/560

(Continued)

Primary Examiner — Nathan M Johnston

(74) *Attorney, Agent, or Firm* — Muncy, Geissler, Olds & Lowe, P.C.

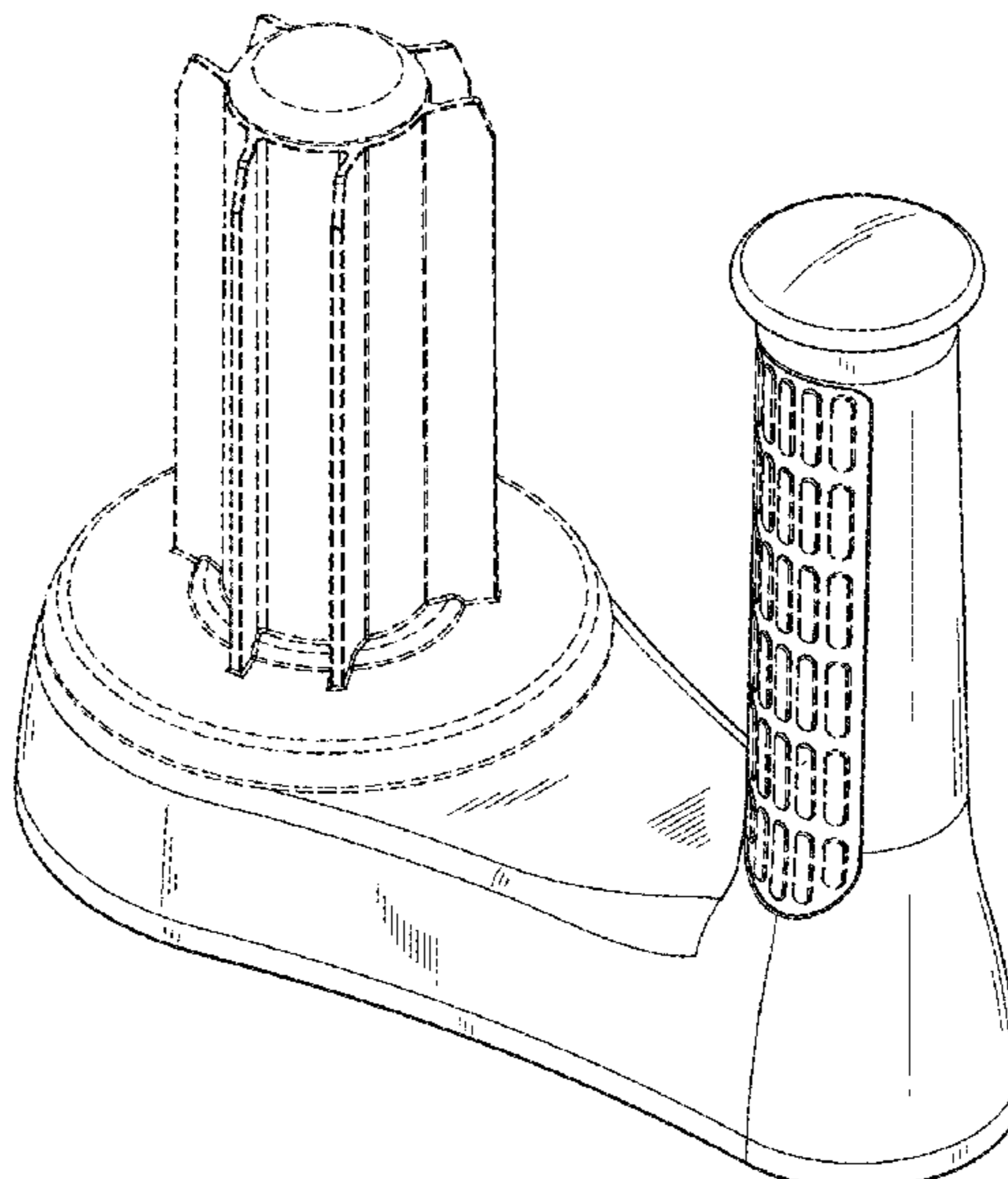
(57) **CLAIM**

The ornamental design for a film dispenser, as shown and described.

DESCRIPTION

FIG. 1 is a perspective view of a film dispenser, showing the new design;
 FIG. 2 is a front elevational view thereof; the rear elevational view is omitted due to the symmetry to the front elevational view thereof;
 FIG. 3 is a left side view thereof;
 FIG. 4 is a right side view thereof;
 FIG. 5 is a top plan view thereof; and,
 FIG. 6 is another perspective view thereof.
 The broken lines shown in FIGS. 1-6 illustrate portions of the film dispenser that form no part of the claimed design. The bottom plan view is omitted because the essential ornamental features do not lie in the bottom of the present design.

1 Claim, 6 Drawing Sheets



(56)

References Cited

U.S. PATENT DOCUMENTS

2011/0233255 A1* 9/2011 Tiamson A47K 10/3836
225/77
2015/0203232 A1* 7/2015 Nelson B65B 67/085
242/422.4
2015/0266605 A1* 9/2015 Bonta, Jr. B65B 67/085
53/465
2017/0305583 A1* 10/2017 Nelson B65H 16/005

* cited by examiner

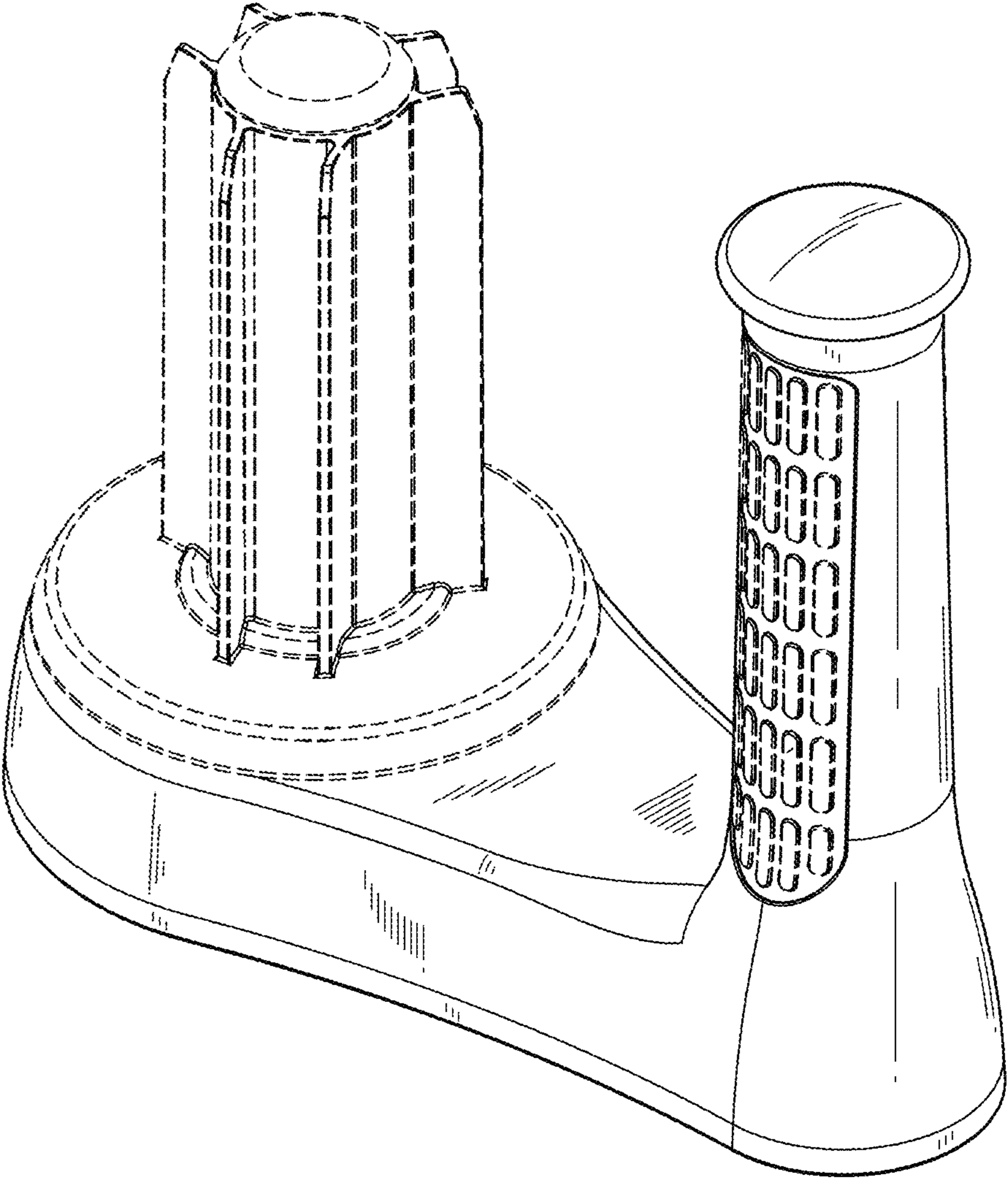


FIG. 1

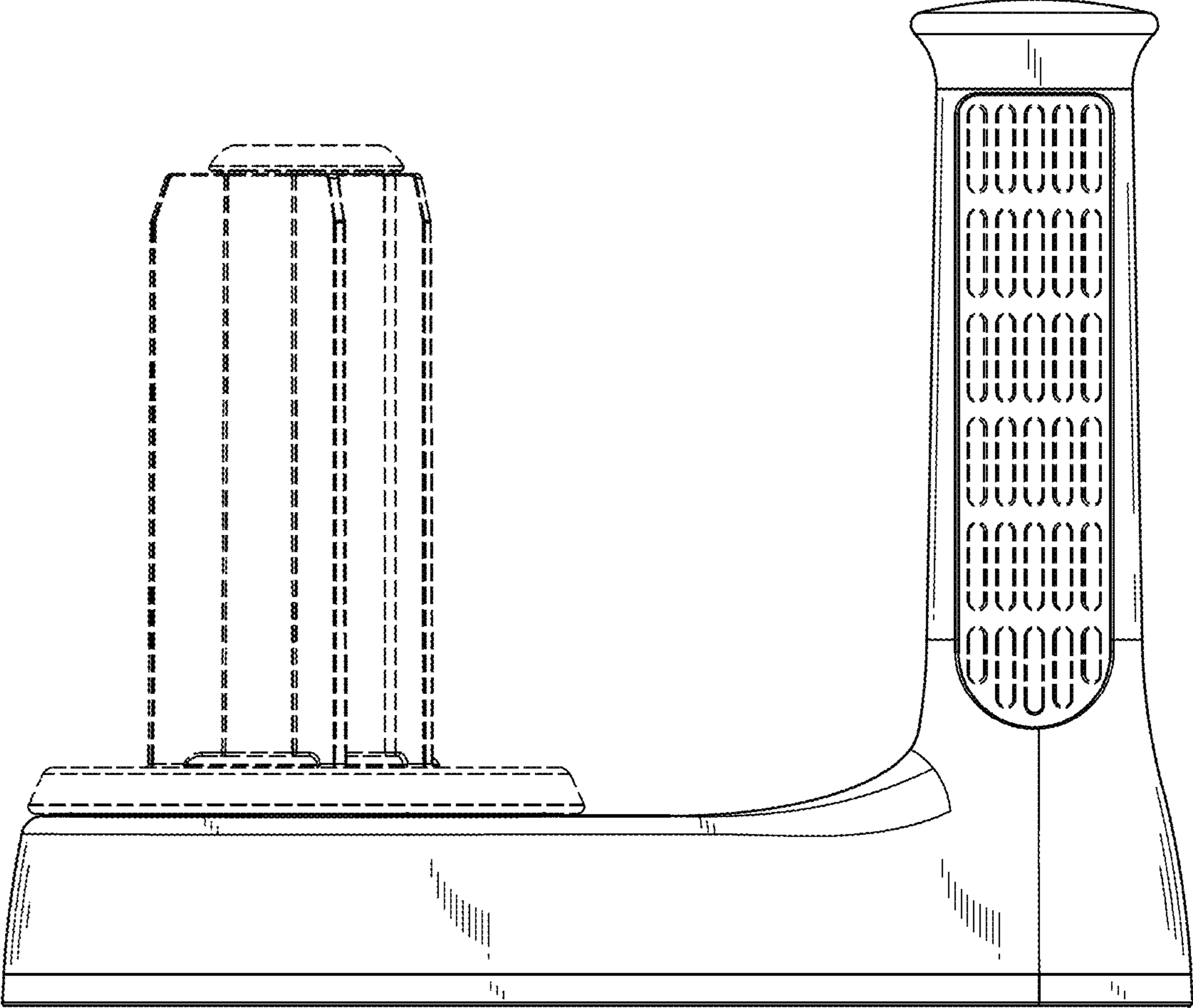


FIG. 2

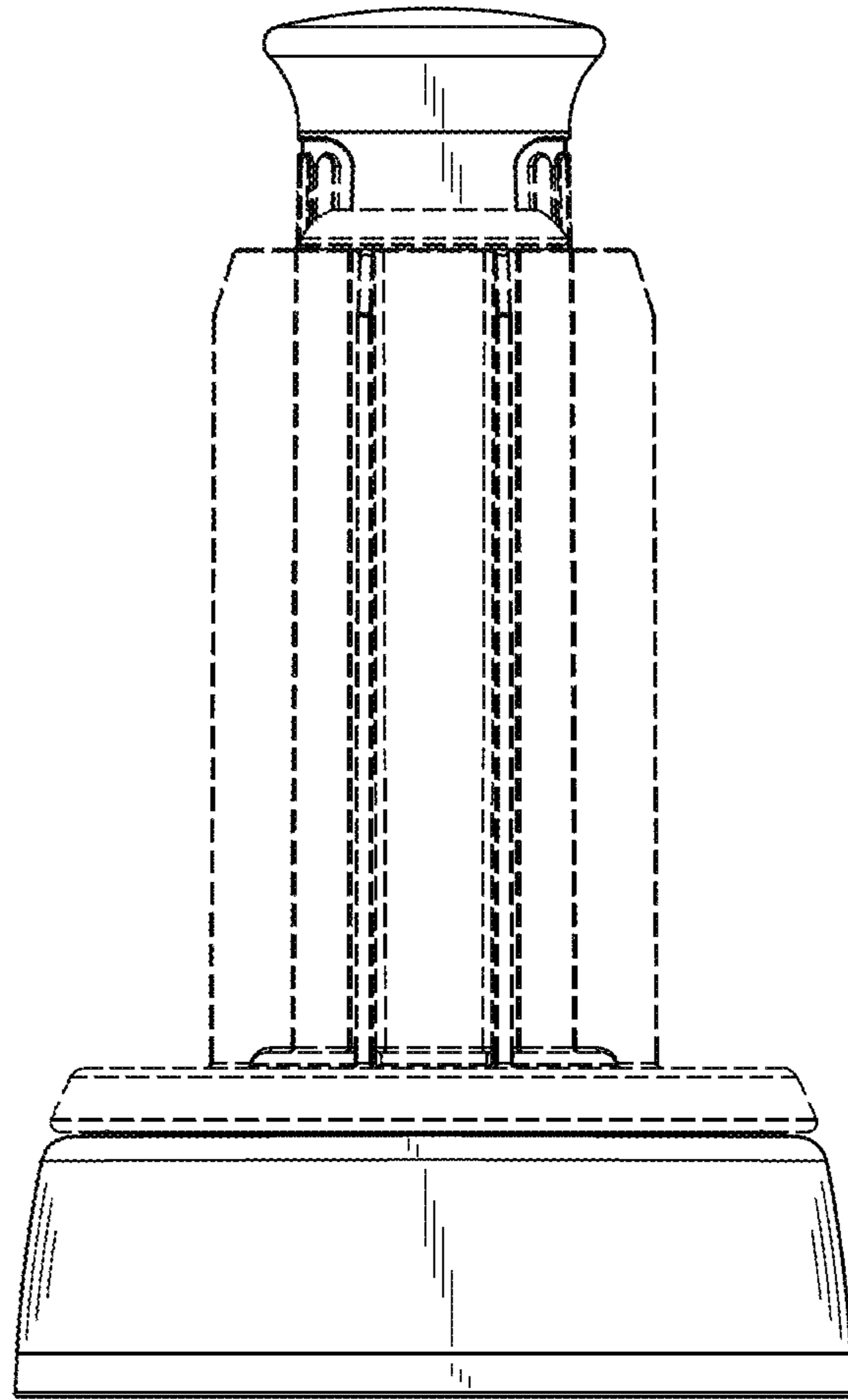


FIG. 3

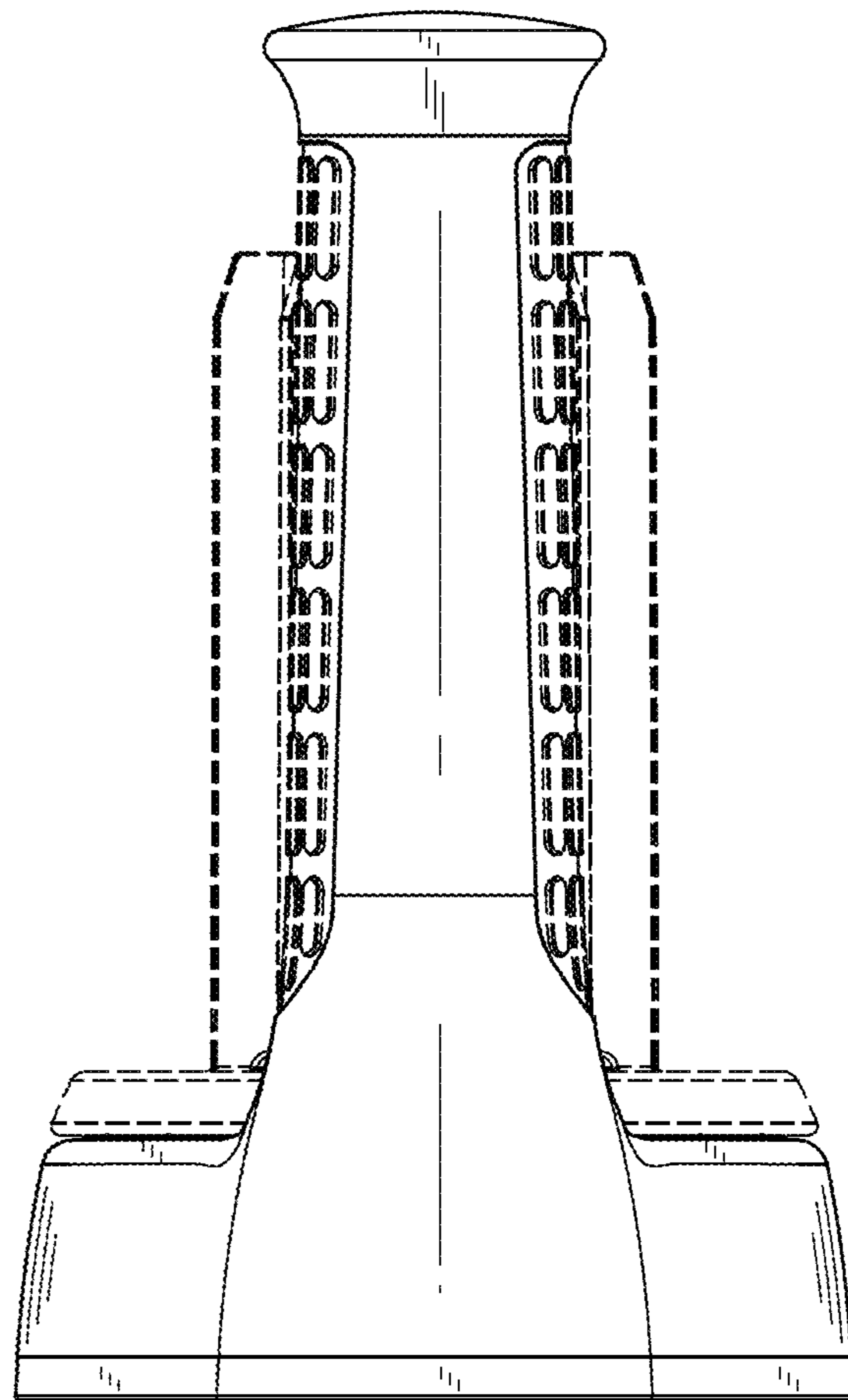


FIG. 4

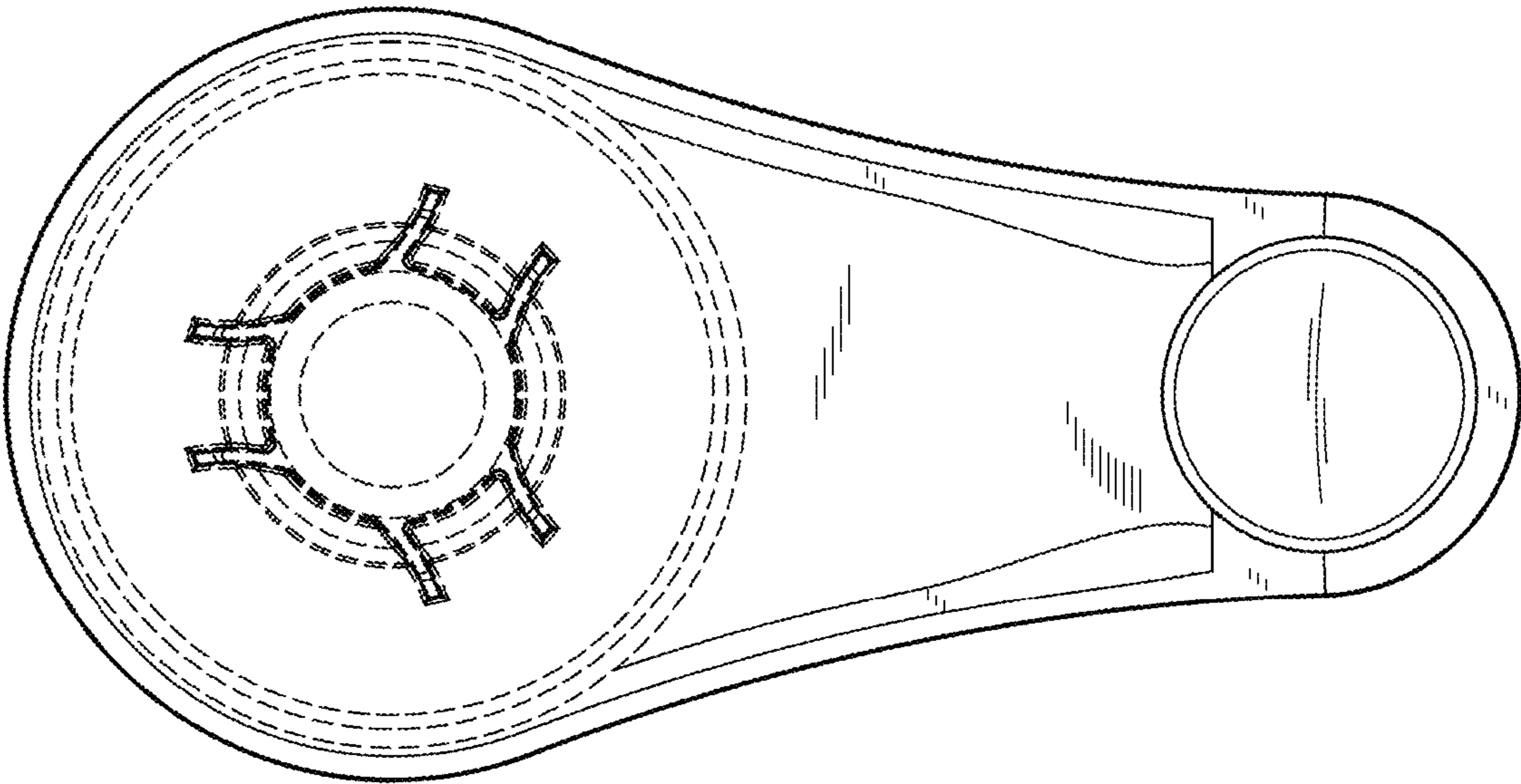


FIG. 5

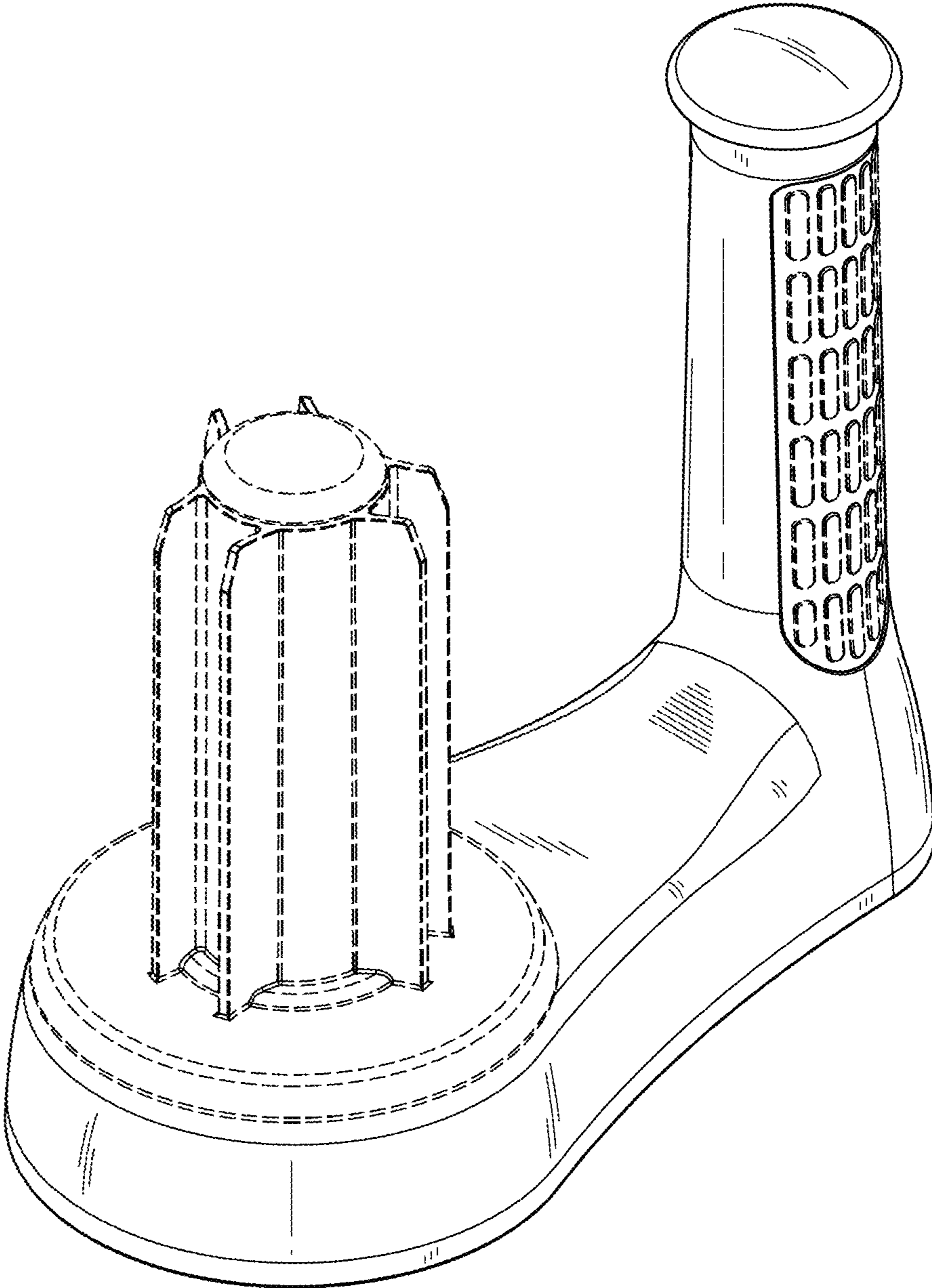


FIG. 6