



US00D885786S

(12) **United States Design Patent** (10) **Patent No.:** **US D885,786 S**
Goodman et al. (45) **Date of Patent:** **** Jun. 2, 2020**

(54) **PAPER TOWEL HOLDER**

(71) Applicant: **Spectrum Diversified Designs, LLC**,
Streetsboro, OH (US)

(72) Inventors: **Aaron Goodman**, Beachwood, OH
(US); **Megan Dittrich**, Twinsburg, OH
(US)

(73) Assignee: **Spectrum Diversified Designs, LLC**,
Streetsboro, OH (US)

(**) Term: **15 Years**

(21) Appl. No.: **29/637,974**

(22) Filed: **Feb. 23, 2018**

(51) **LOC (12) Cl.** **20-02**

(52) **U.S. Cl.**
USPC **D6/521**

(58) **Field of Classification Search**
USPC D6/518-522; 211/13.1, 45, 59.1, 89.01;
248/309.1, 309.2; 206/389, 391;
242/590, 597.7
CPC A47K 10/04; A47K 10/10; A47K 10/3836;
A47K 2010/324; A47K 2010/389; B08B
1/006

See application file for complete search history.

(56) **References Cited**

U.S. PATENT DOCUMENTS

D390,054 S *	2/1998	Goodman	D6/521
D472,412 S *	4/2003	Goodman	D6/522
D582,709 S *	12/2008	Goodman	D6/521
D628,836 S *	12/2010	Guindi	D6/521
D628,838 S *	12/2010	Goodman	D6/521
D653,889 S *	2/2012	Guindi	D6/521
D758,755 S *	6/2016	Goodman	D6/521
D784,762 S	4/2017	Goodman et al.		
D784,771 S	4/2017	Goodman et al.		
D787,226 S *	5/2017	Goodman	D6/521

D794,977 S *	8/2017	Goodman	D6/521
D811,114 S *	2/2018	Goodman	D6/521
D811,115 S *	2/2018	Goodman	D6/521
D819,360 S *	6/2018	Goodman	D6/521
D852,535 S *	7/2019	Goodman	D6/521

OTHER PUBLICATIONS

Spectrum Diversified website, Plaid Paper Towel Holder, Aug. 8, 2019, <https://www.spectrumdiversified.com/products/plaid-paper-towel-holder> (Year: 2019).*

* cited by examiner

Primary Examiner — Nathan M Johnston

(74) *Attorney, Agent, or Firm* — Tucker Ellis LLP

(57) **CLAIM**

The ornamental design for a paper towel holder, as shown and described.

DESCRIPTION

FIG. 1 is a perspective view of a paper towel holder showing our new design.

FIG. 2 is a left side view thereof.

FIG. 3 is a right side view thereof.

FIG. 4 is a front view thereof.

FIG. 5 is a rear view thereof.

FIG. 6 is a top view thereof.

FIG. 7 is a bottom view thereof.

FIG. 8 is a perspective view of another paper towel holder showing our new design.

FIG. 9 is a left side view thereof.

FIG. 10 is a right side view thereof.

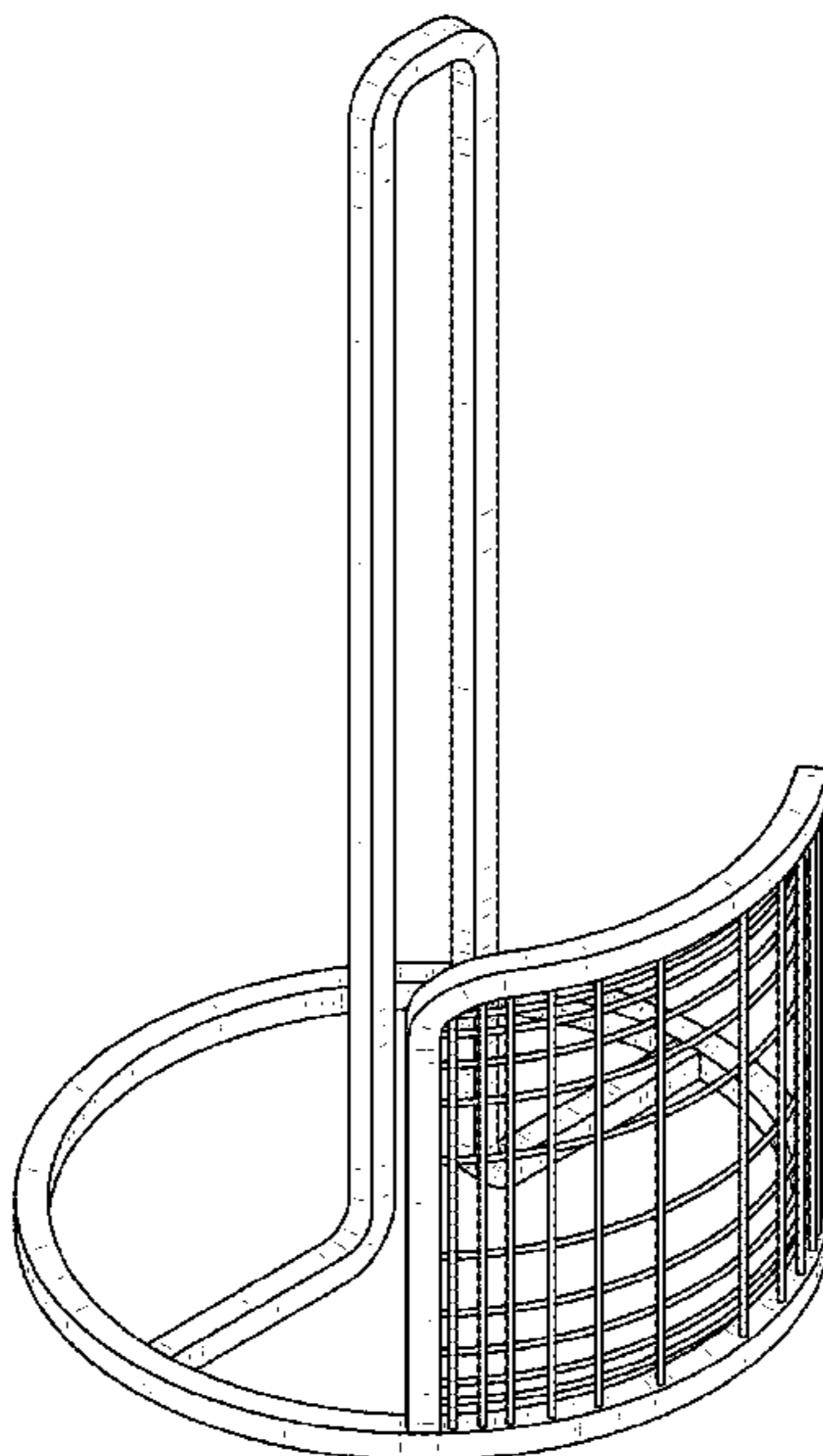
FIG. 11 is a front view thereof.

FIG. 12 is a rear view thereof.

FIG. 13 is a top view thereof; and,

FIG. 14 is a bottom view thereof.

1 Claim, 8 Drawing Sheets



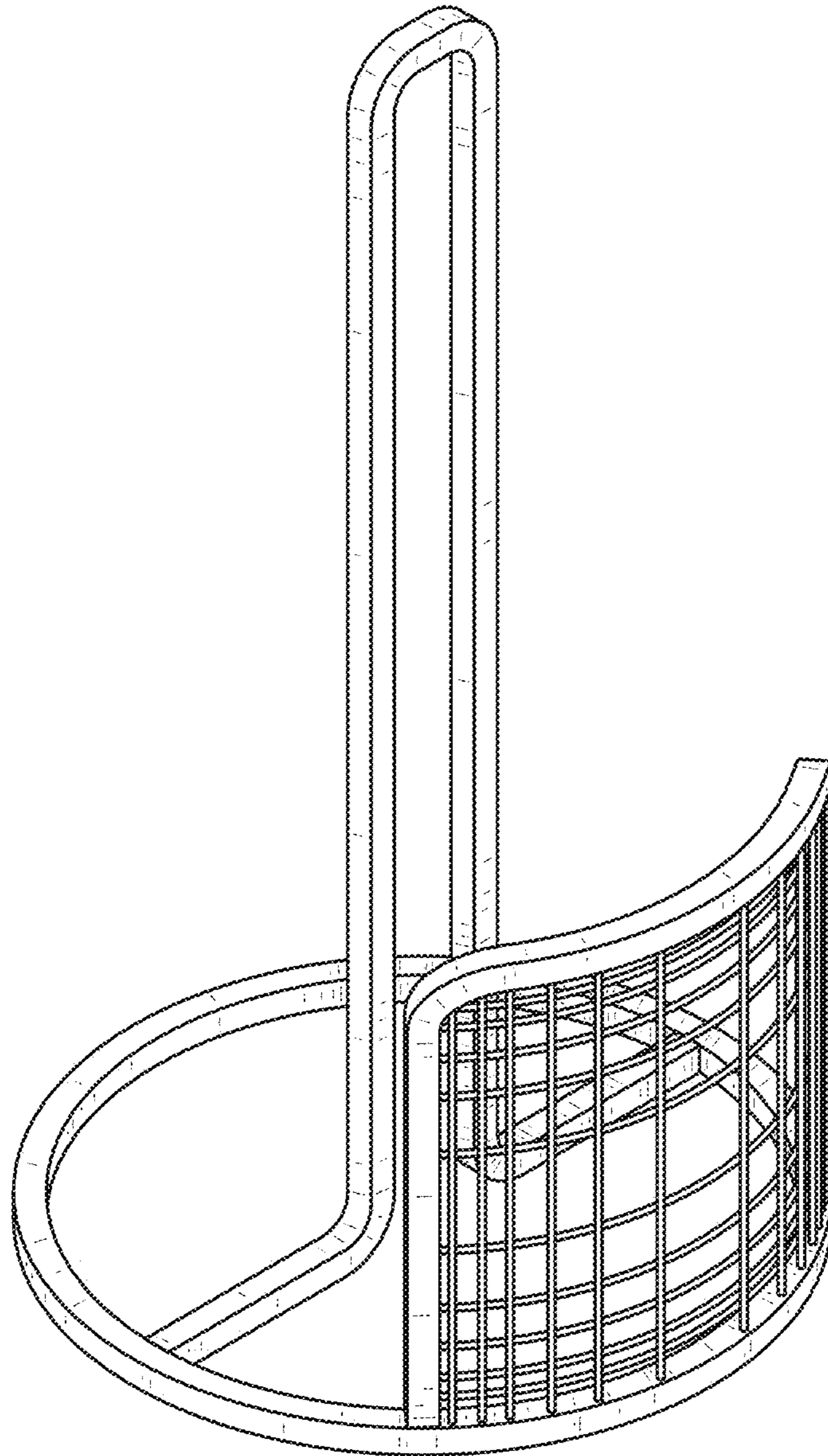


FIG. 1

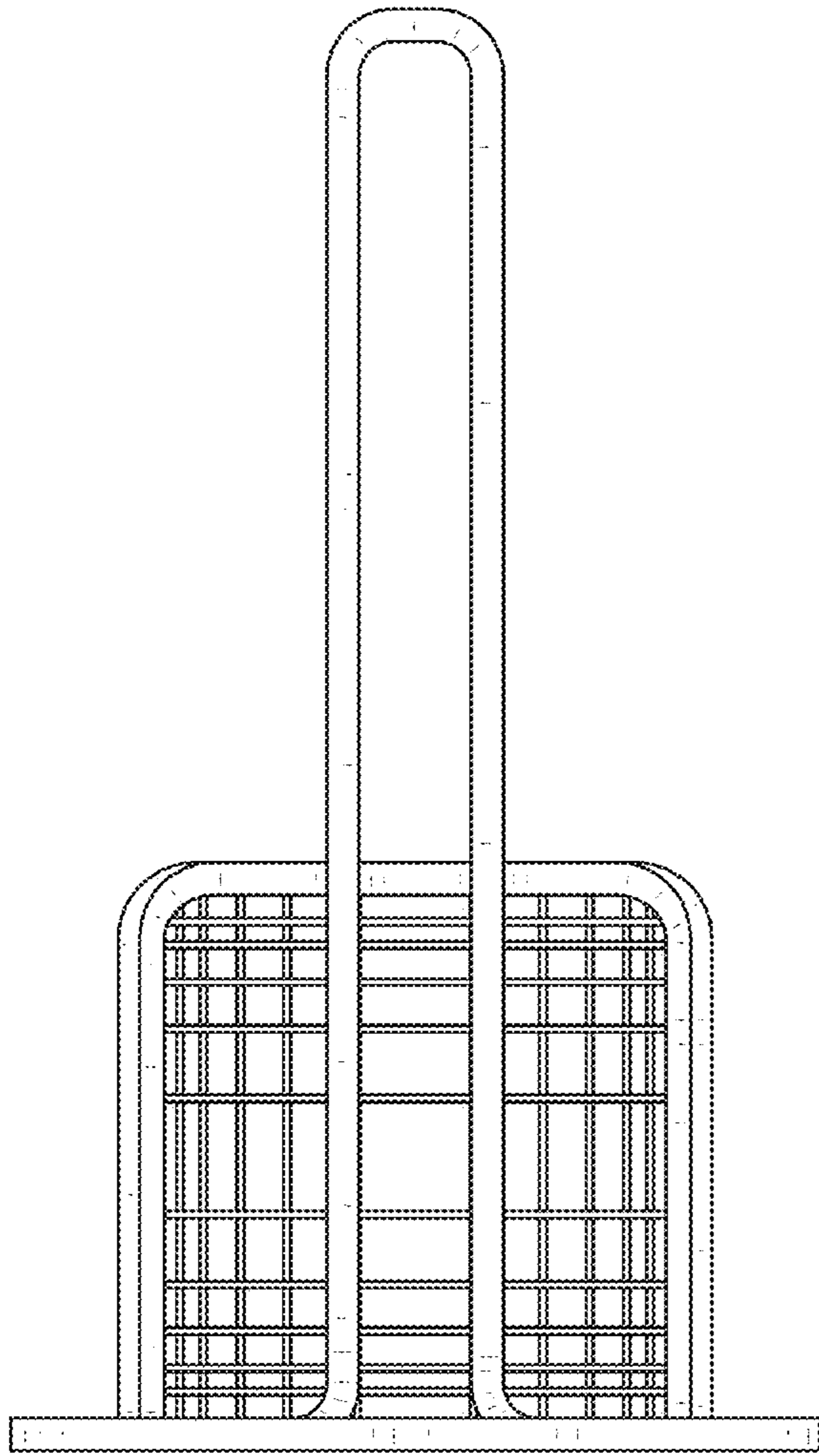


FIG. 2

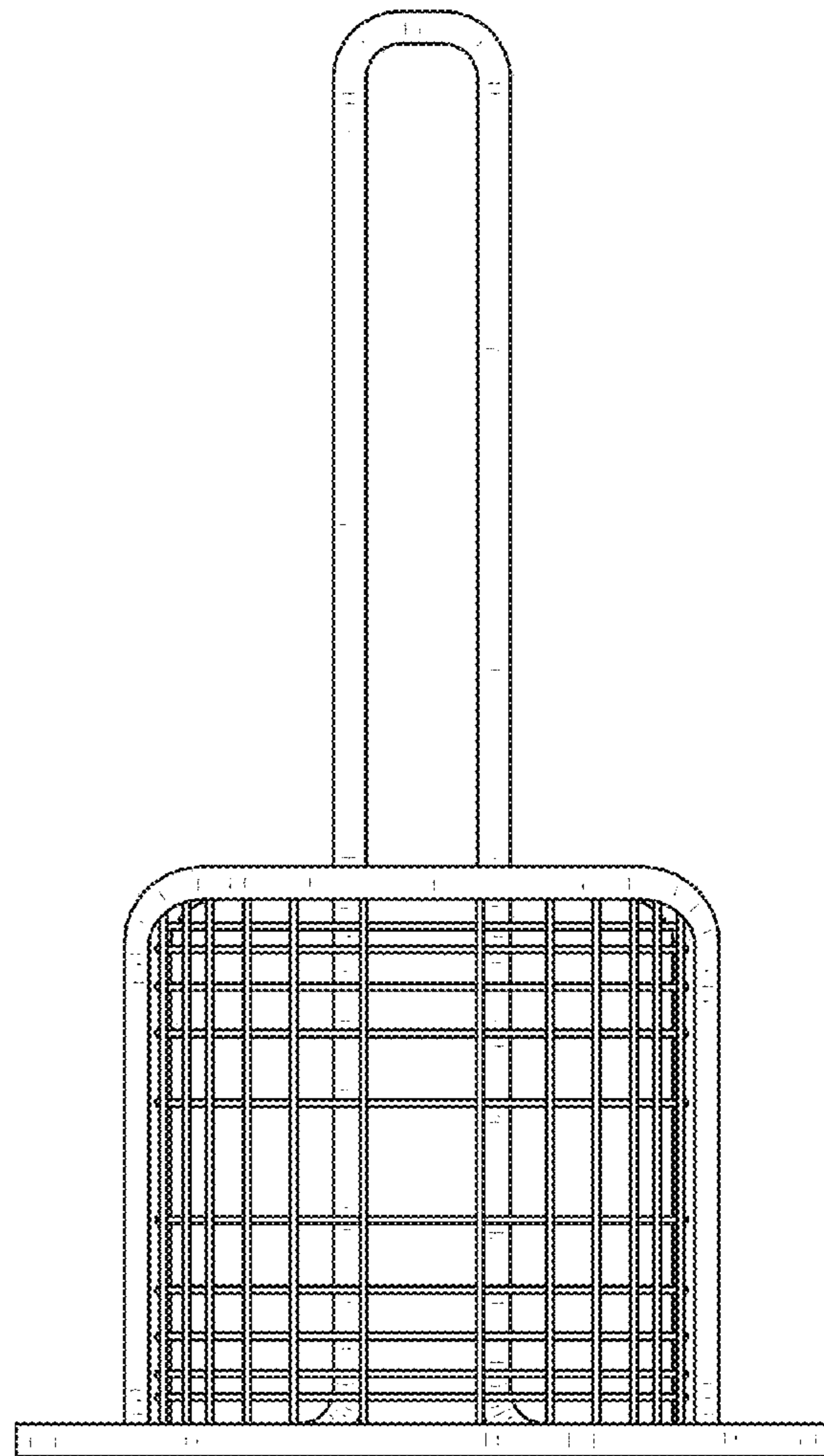


FIG. 3

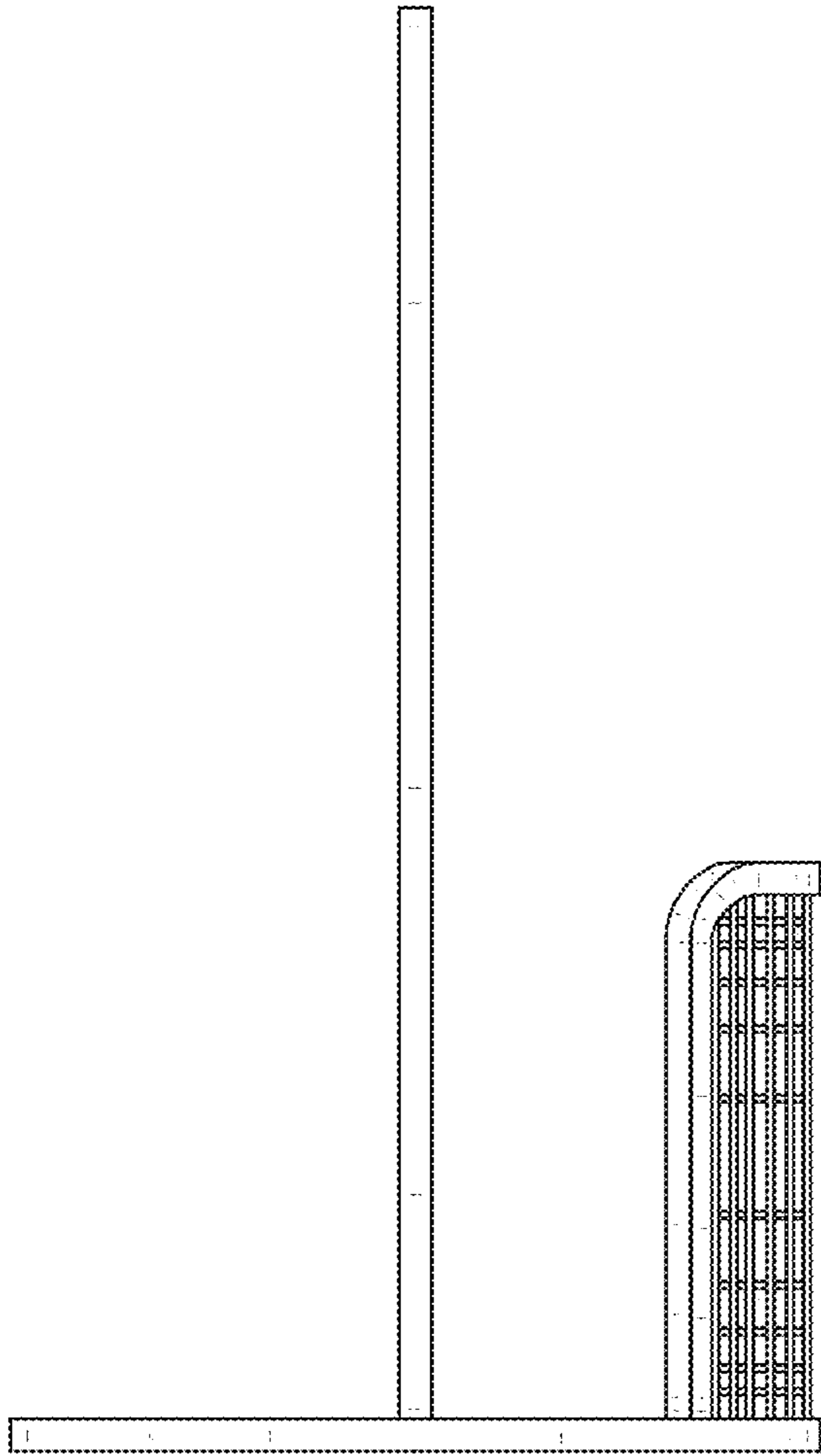


FIG. 4

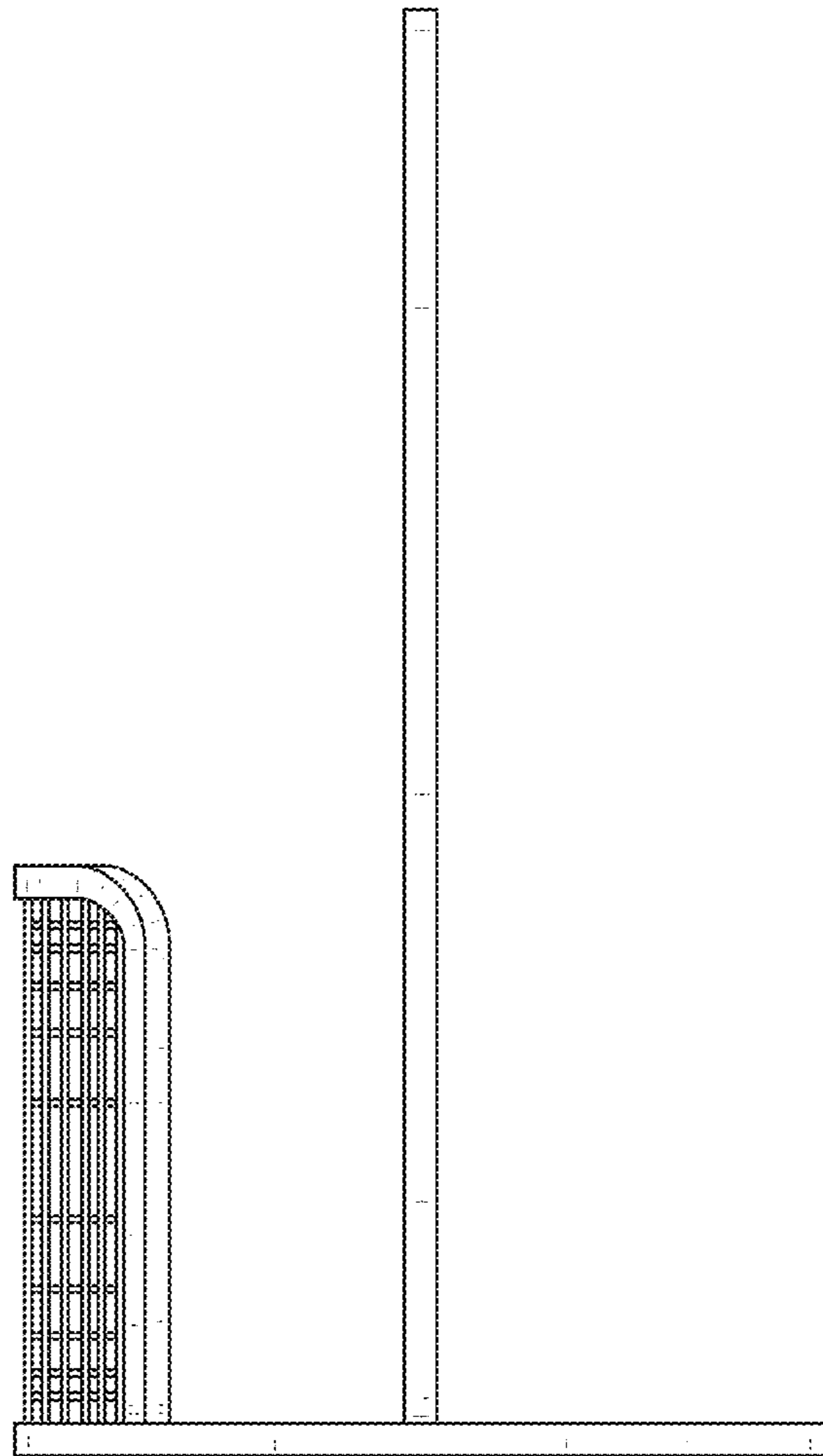


FIG. 5

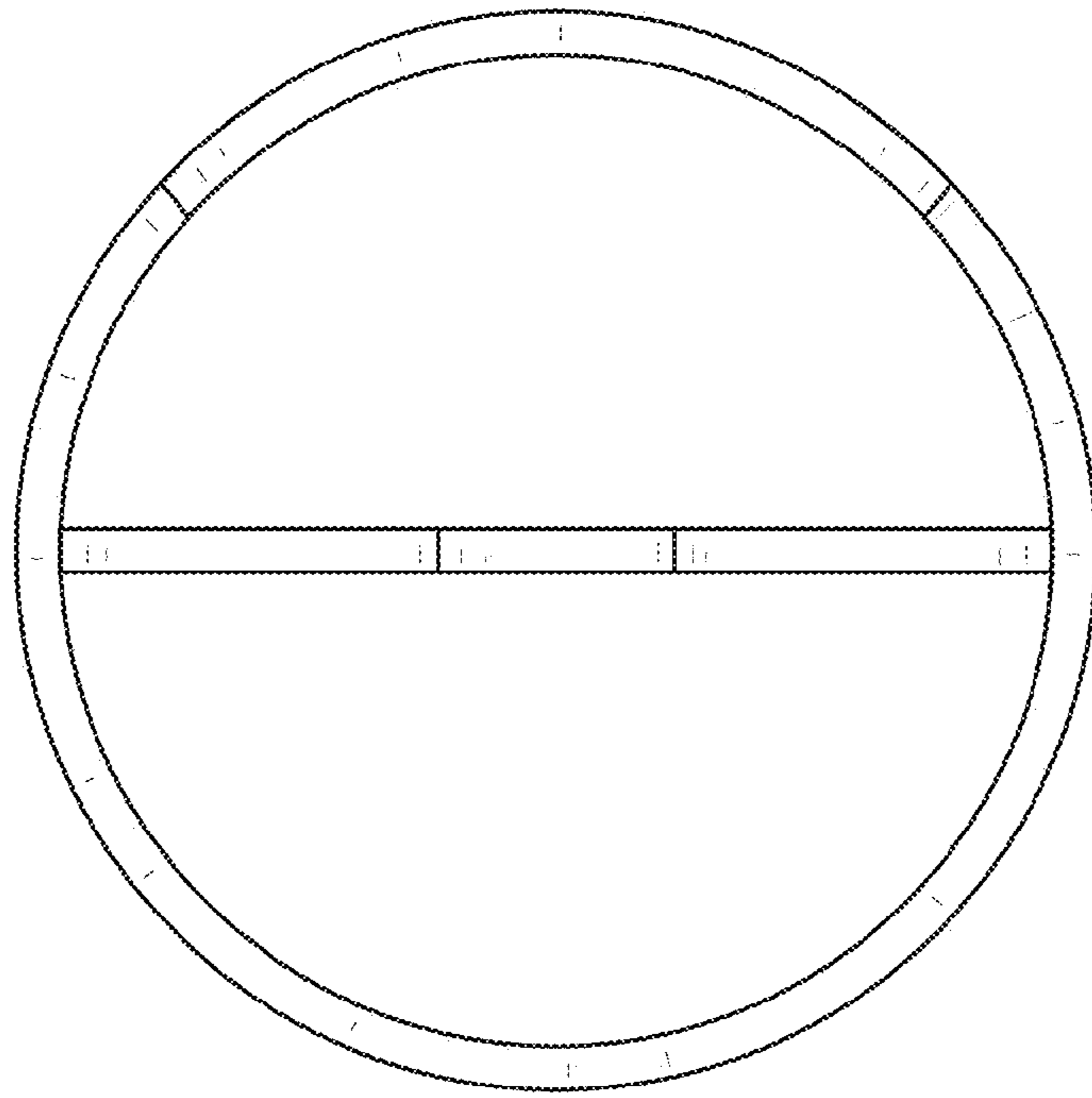


FIG. 6

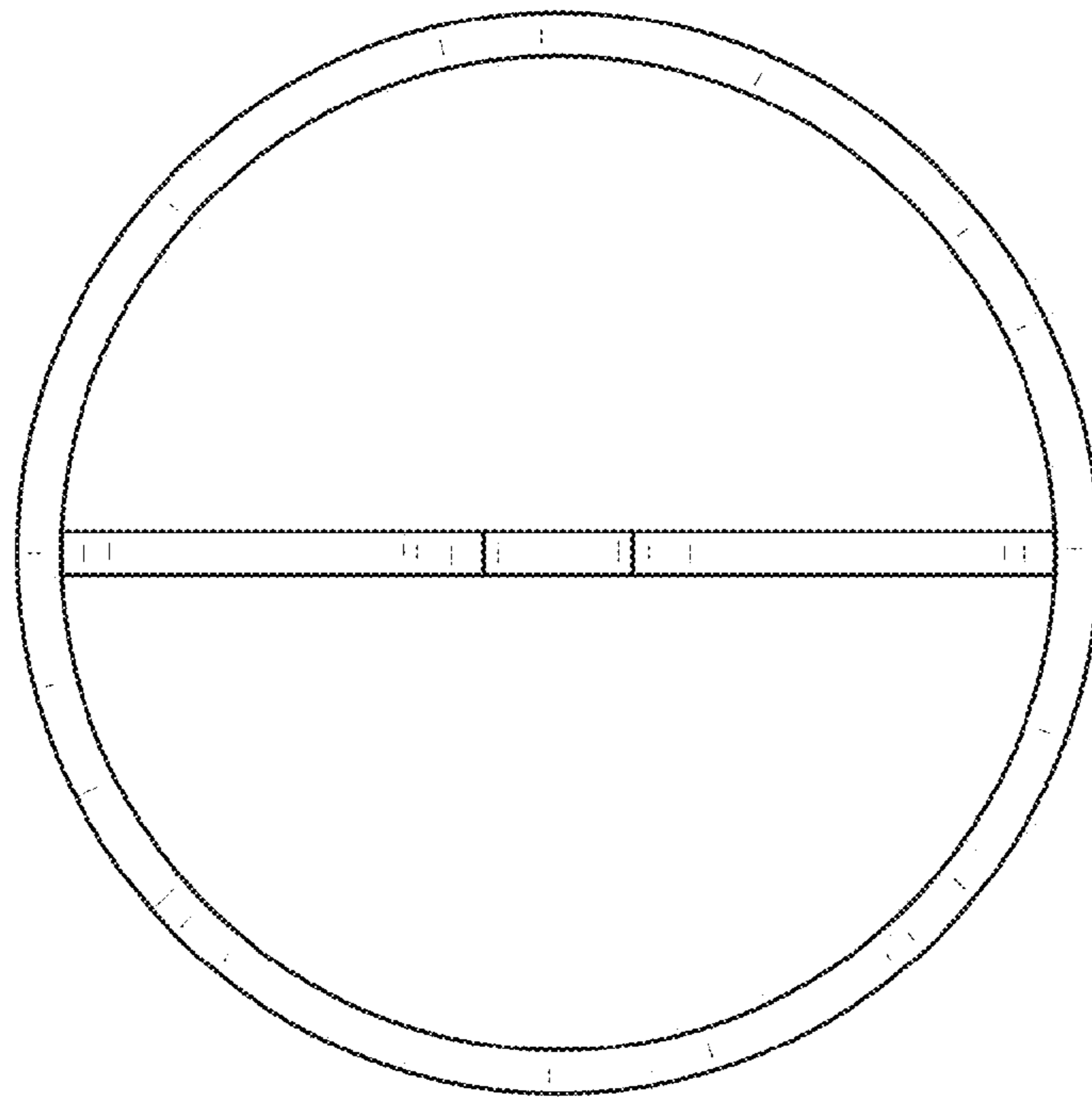


FIG. 7

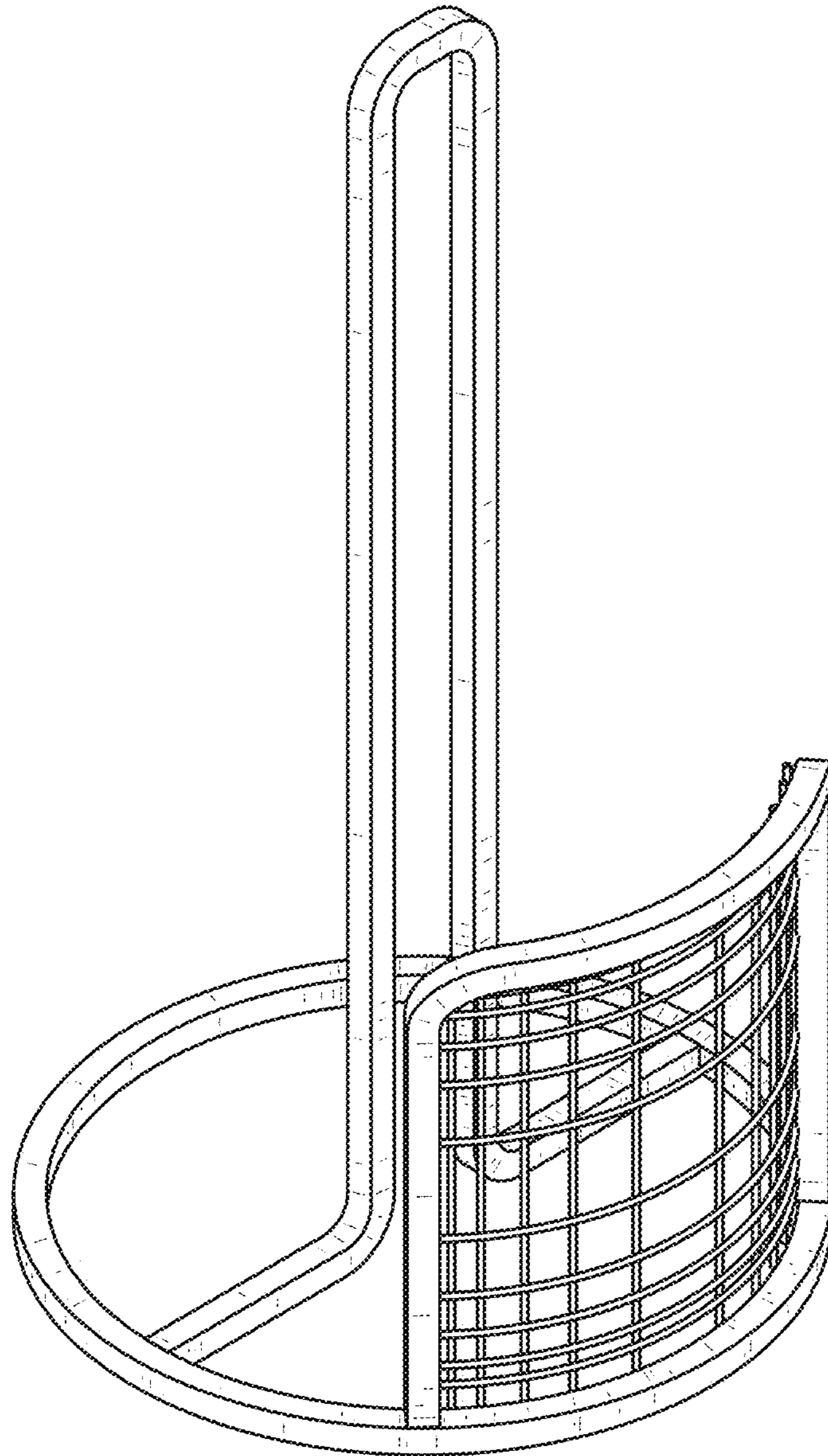


FIG. 8

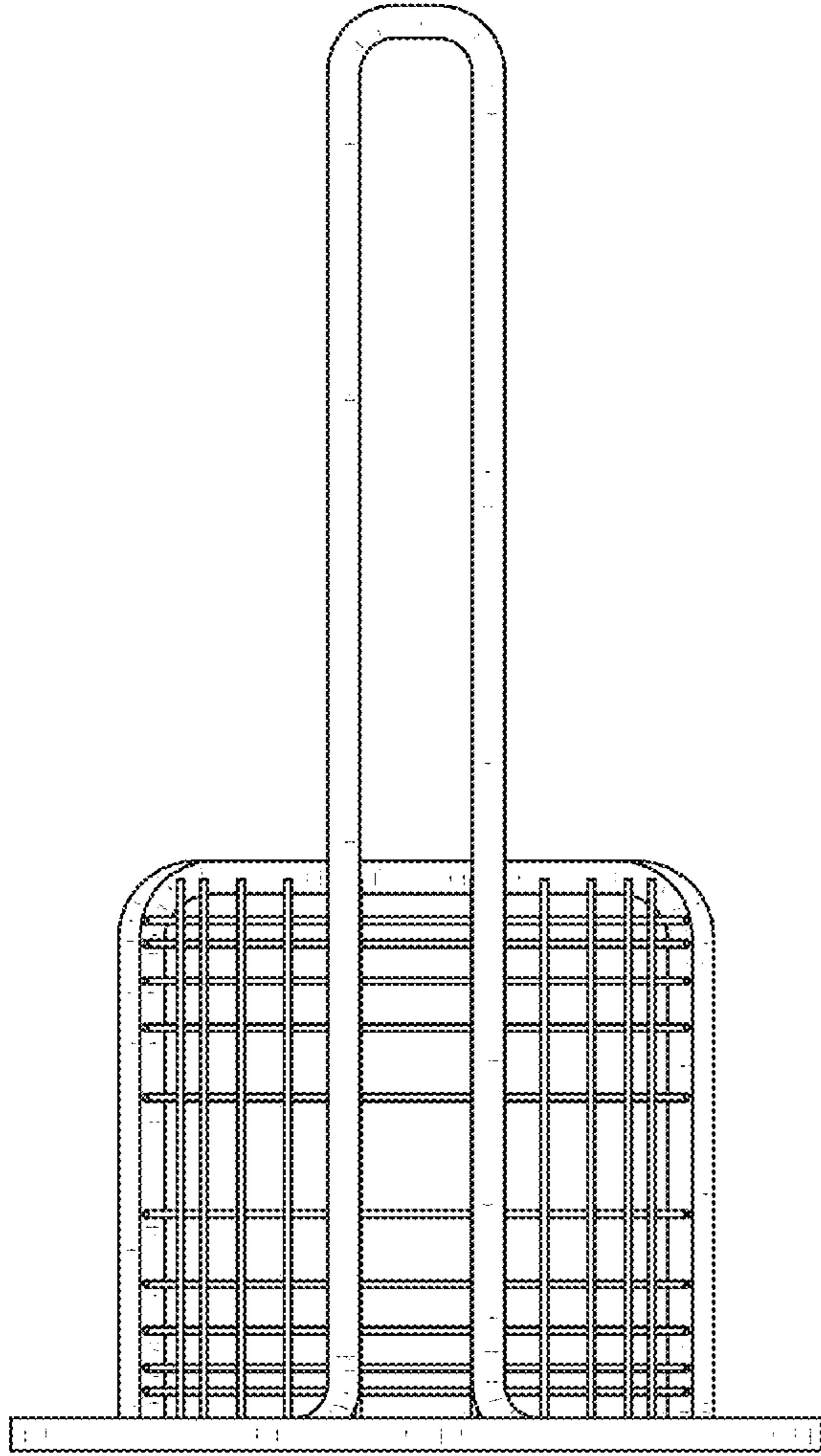


FIG. 9

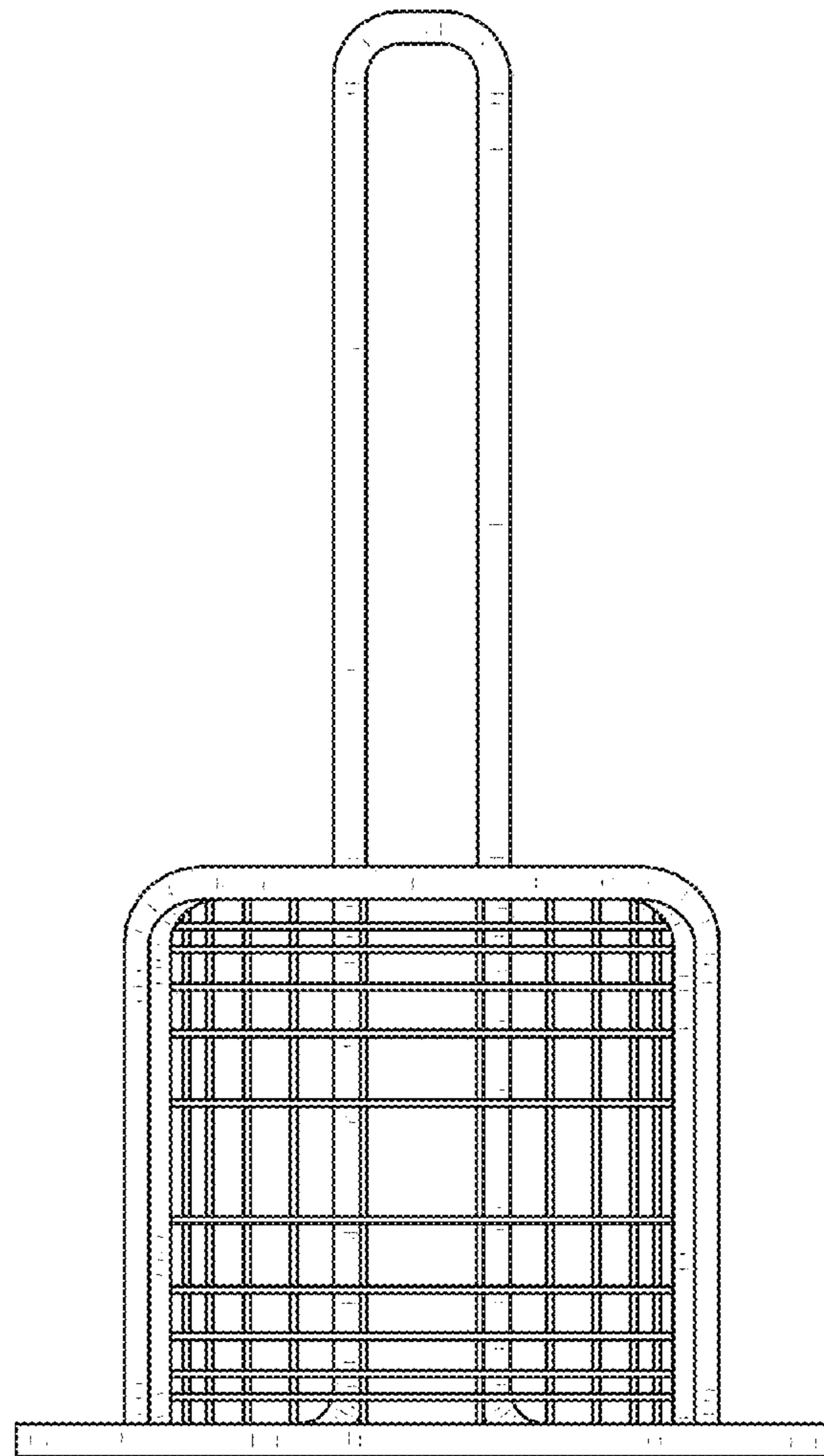


FIG. 10

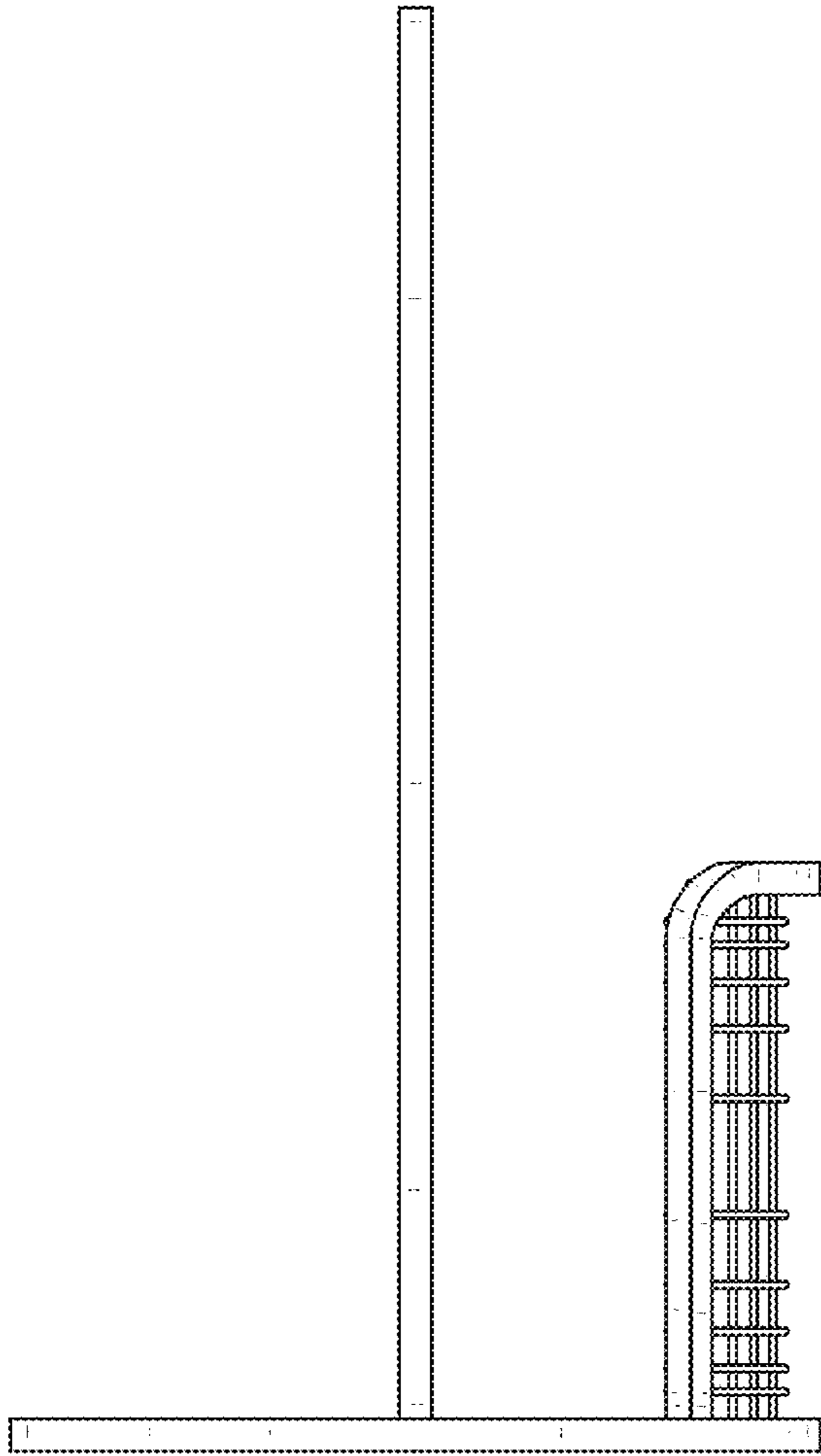


FIG. 11

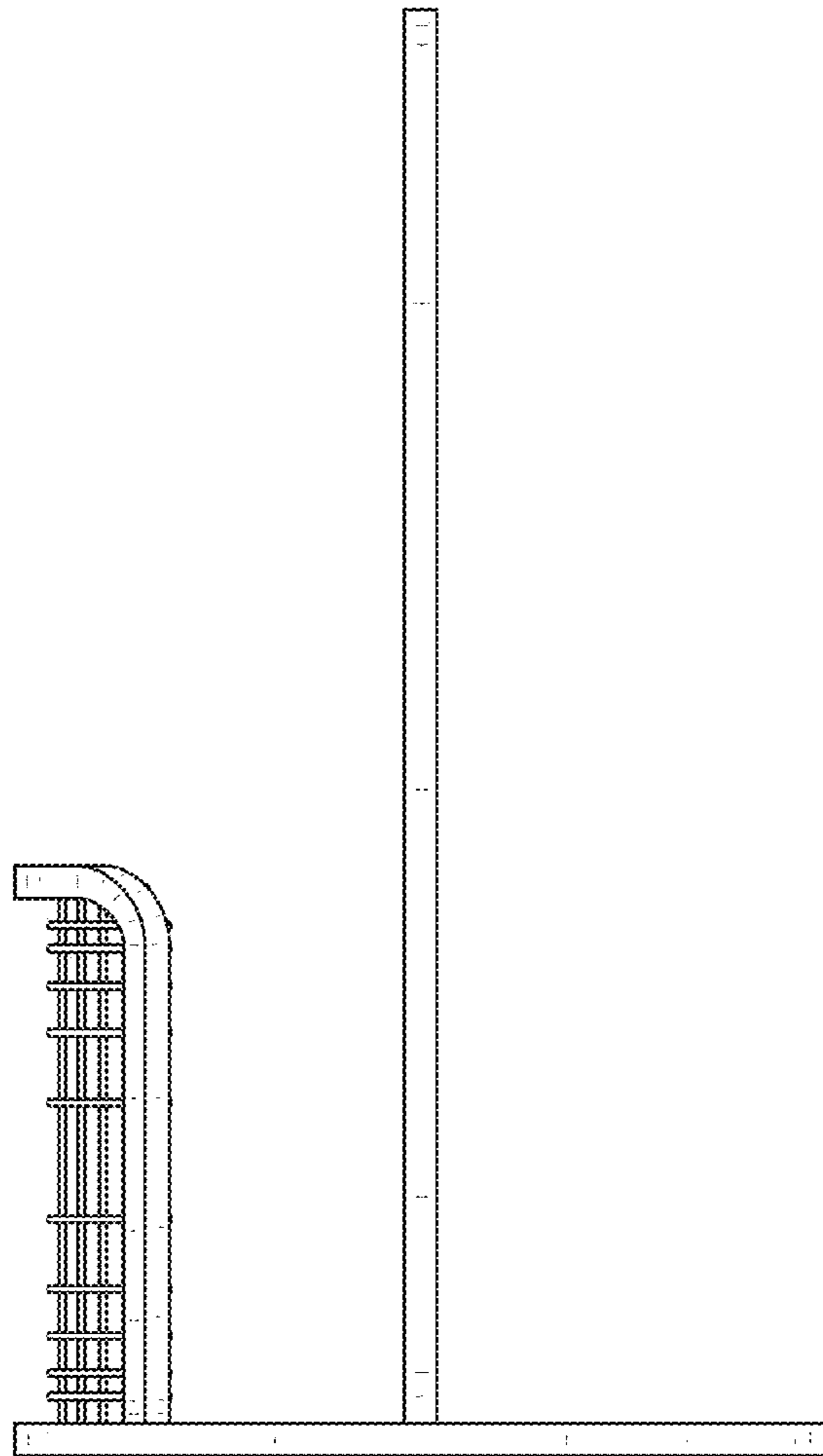


FIG. 12

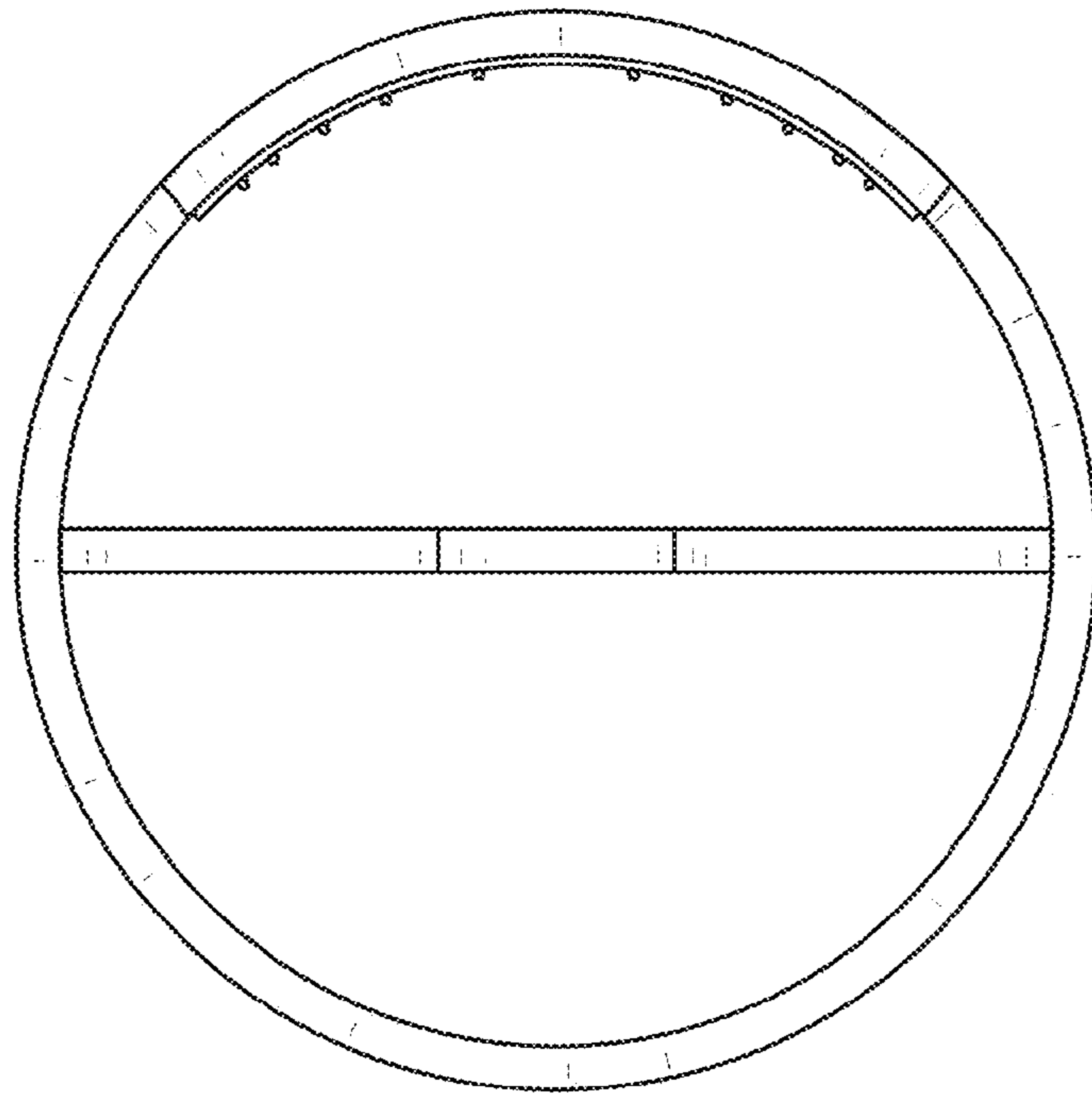


FIG. 13

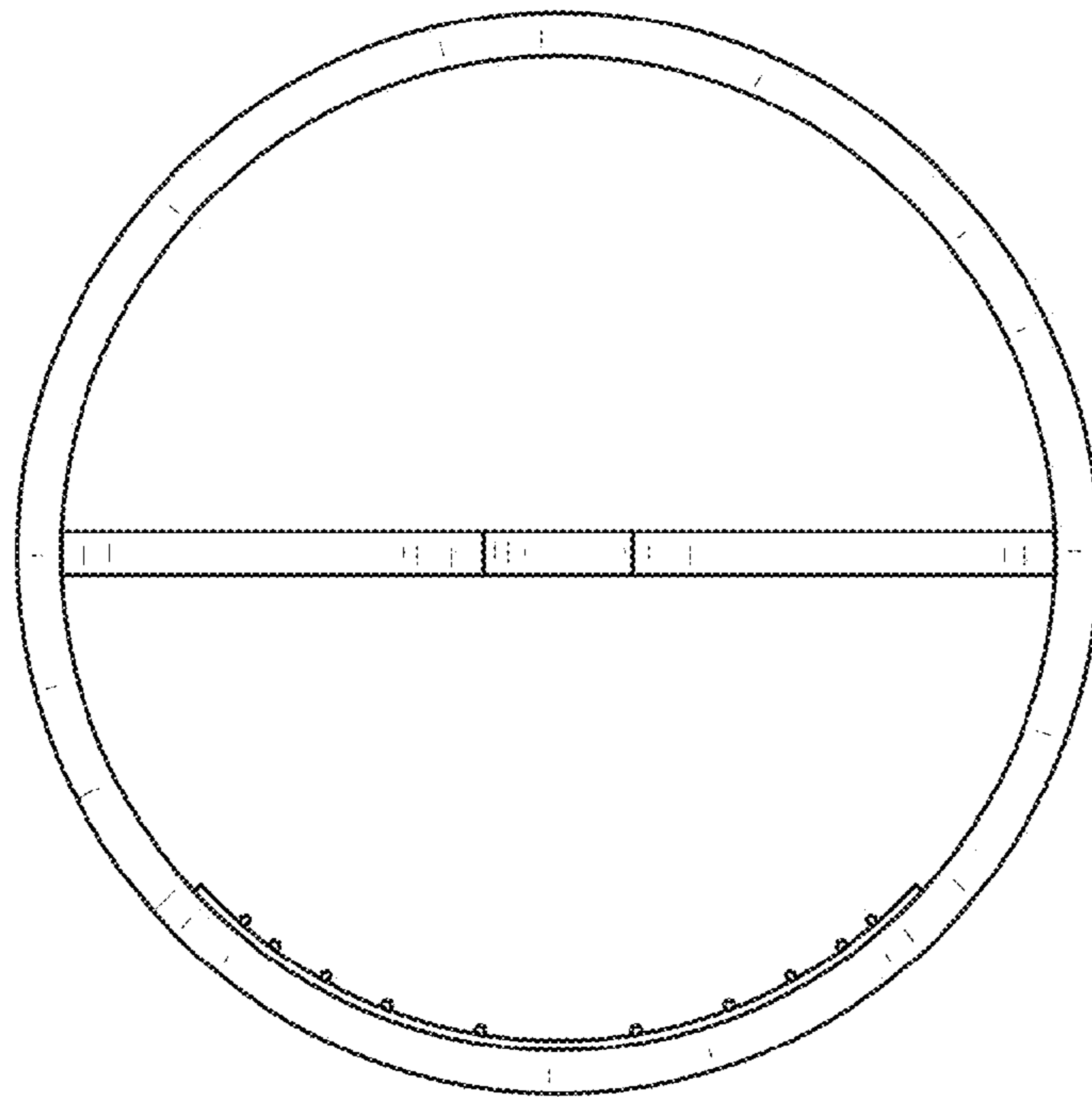


FIG. 14