



US00D885785S

(12) **United States Design Patent** (10) **Patent No.:** **US D885,785 S**  
**Wilson et al.** (45) **Date of Patent:** **\*\* Jun. 2, 2020**

(54) **PAPER TOWEL HOLDER**  
(71) Applicant: **Spectrum Diversified Designs, LLC**,  
Streetsboro, OH (US)  
(72) Inventors: **Courtney Wilson**, Chardon, OH (US);  
**Aaron D. Goodman**, Beachwood, OH  
(US)  
(73) Assignee: **Spectrum Diversified Designs, LLC**,  
Streetsboro, OH (US)  
(\*\*) Term: **15 Years**  
(21) Appl. No.: **29/633,720**  
(22) Filed: **Jan. 15, 2018**  
(51) **LOC (12) Cl.** ..... **20-02**  
(52) **U.S. Cl.**  
USPC ..... **D6/521**  
(58) **Field of Classification Search**  
USPC ..... D6/518-522; 211/13.1, 45, 59.1, 89.01;  
248/309.1, 309.2; 206/389, 391;  
242/590, 597.7  
CPC .... A47K 10/04; A47K 10/10; A47K 10/3836;  
A47K 2010/324; A47K 2010/389; B08B  
1/006  
See application file for complete search history.

D628,836 S \* 12/2010 Guindi ..... D6/521  
D628,838 S \* 12/2010 Goodman ..... D6/521  
D631,271 S \* 1/2011 Goodman ..... D6/521  
D670,115 S \* 11/2012 Seehoff ..... D6/521  
D699,046 S \* 2/2014 Goodman ..... D6/521  
D758,755 S \* 6/2016 Goodman ..... D6/521  
D787,226 S \* 5/2017 Goodman ..... D6/521  
D821,779 S \* 7/2018 Goodman ..... D6/521

**OTHER PUBLICATIONS**

Spectrum Diversified website, Matera Paper Towel Holder, Aug. 8, 2019, <https://www.spectrumdiversified.com/products/matera-paper-towel-holder> (Year: 2019).\*

\* cited by examiner

*Primary Examiner* — Nathan M Johnston

(74) *Attorney, Agent, or Firm* — Renner, Otto, Boisselle and Sklar, LLP

(57) **CLAIM**

The ornamental design for a paper towel holder, as shown and described.

**DESCRIPTION**

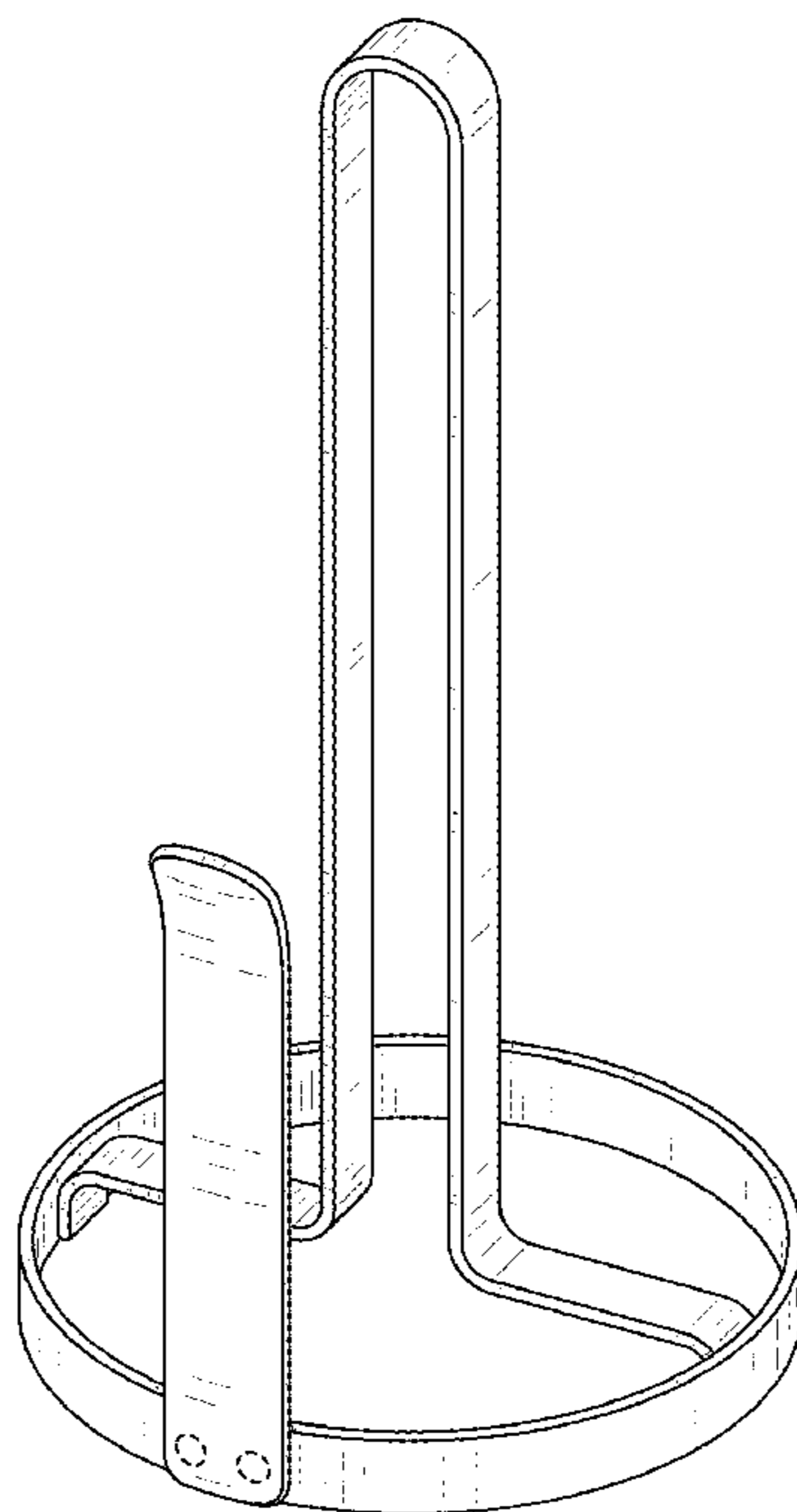
FIG. 1 is a top, right, front perspective view of a paper towel holder showing our new design;  
FIG. 2 is a front elevation view thereof;  
FIG. 3 is a rear elevation view thereof;  
FIG. 4 is a right side elevation view thereof;  
FIG. 5 is a left side elevation view thereof;  
FIG. 6 is a top plan view thereof; and,  
FIG. 7 is a bottom plan view thereof.  
The broken line showing is for the purpose of illustrating unclaimed portions of the article and forms no part of the claimed design.

**1 Claim, 4 Drawing Sheets**

(56) **References Cited**

**U.S. PATENT DOCUMENTS**

D390,054 S \* 2/1998 Goodman ..... D6/521  
D474,361 S \* 5/2003 Ancona ..... D6/521  
D474,634 S \* 5/2003 Ancona ..... D6/521  
D476,197 S \* 6/2003 Kaposi ..... D7/637  
D576,825 S \* 9/2008 Goodman ..... D6/521



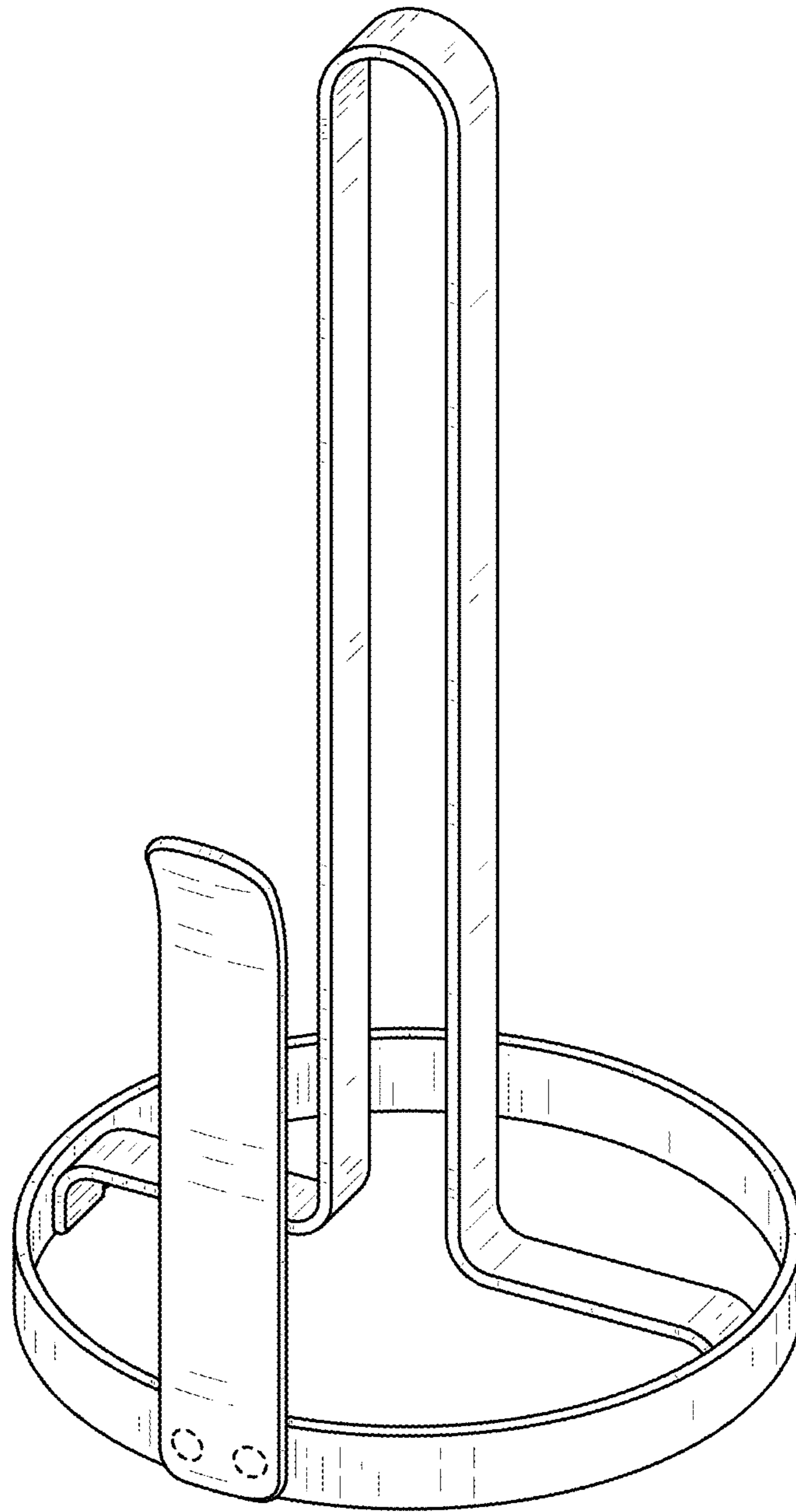


FIG. 1

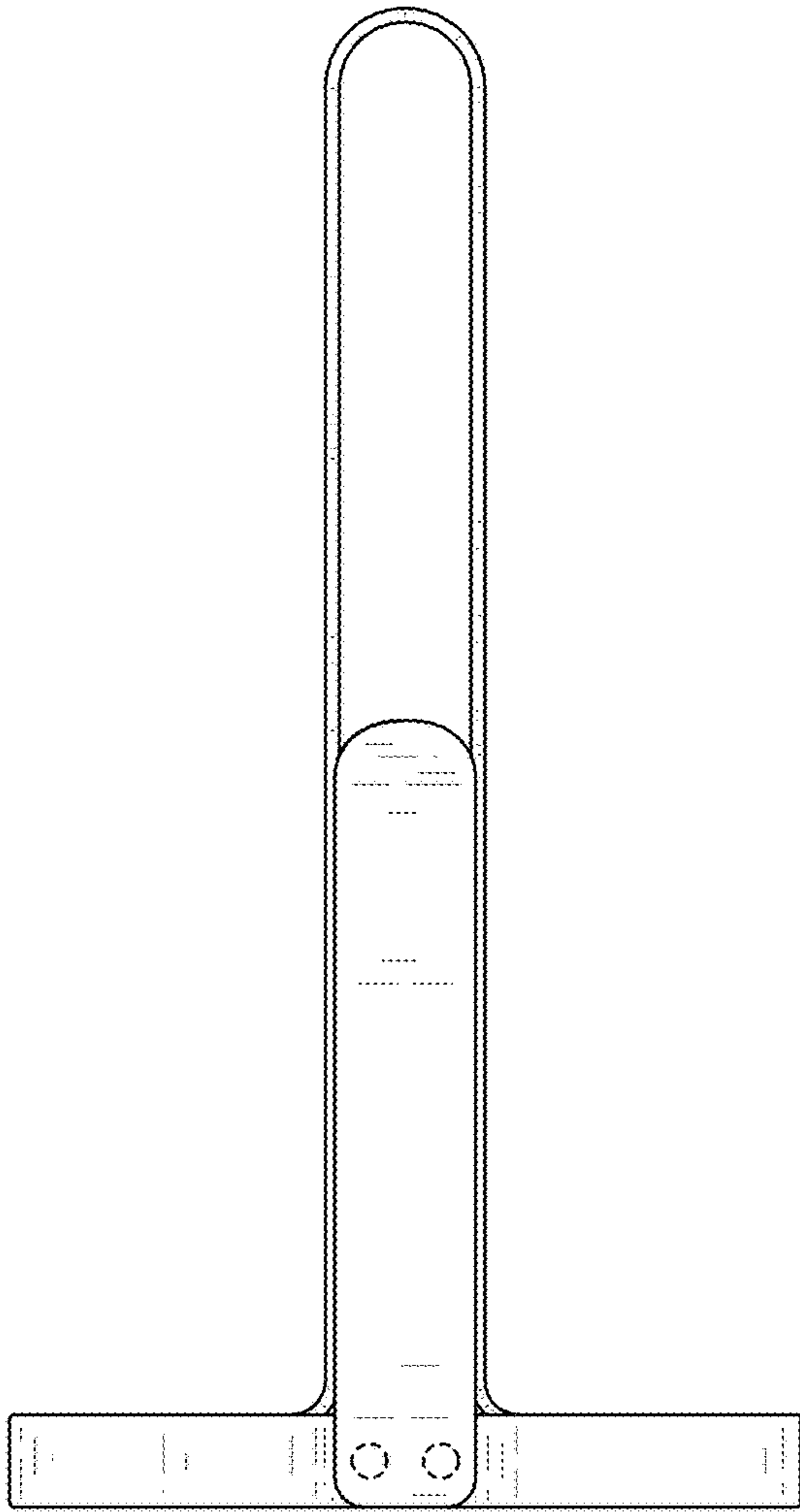


FIG. 2

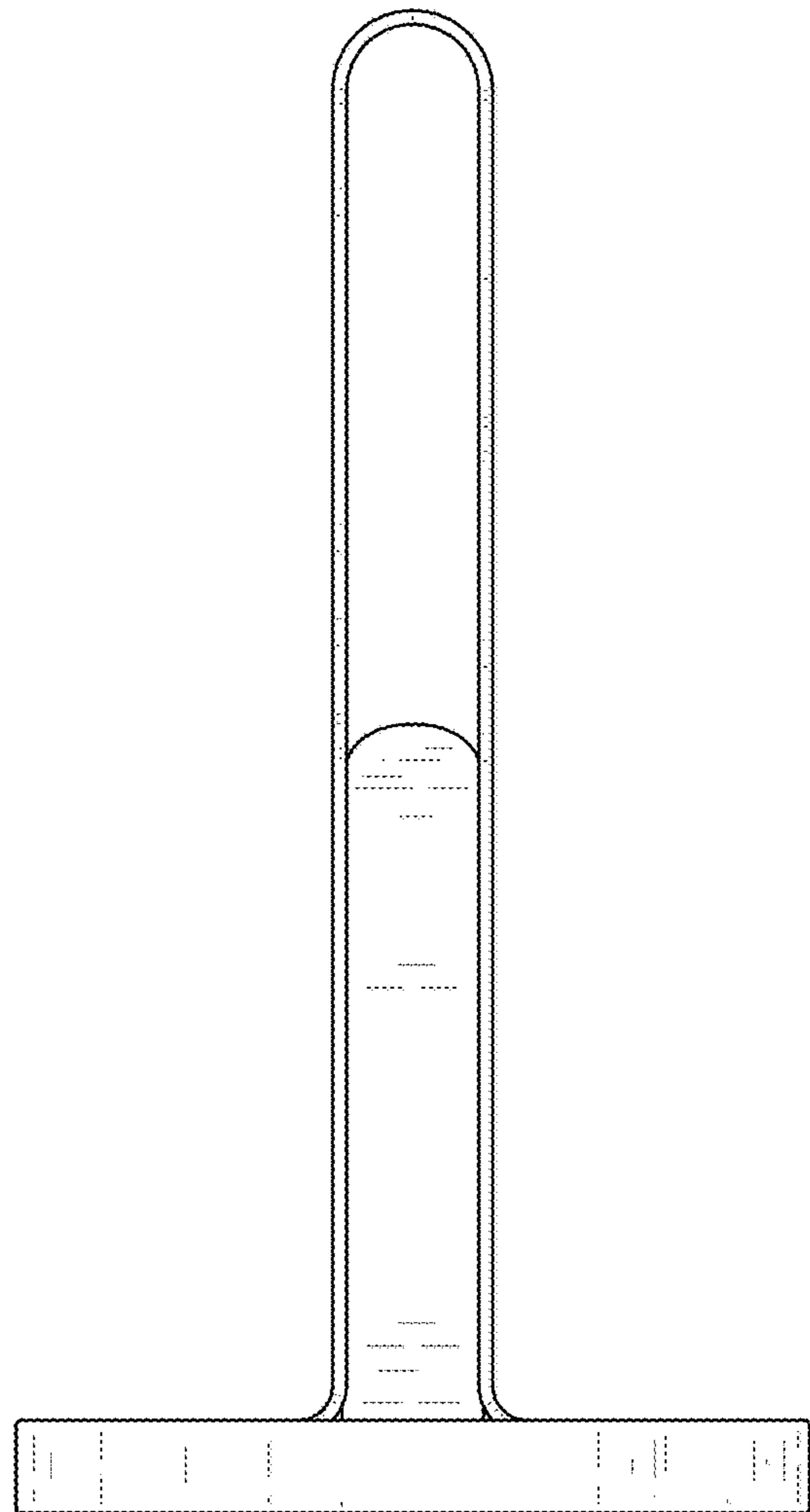


FIG. 3

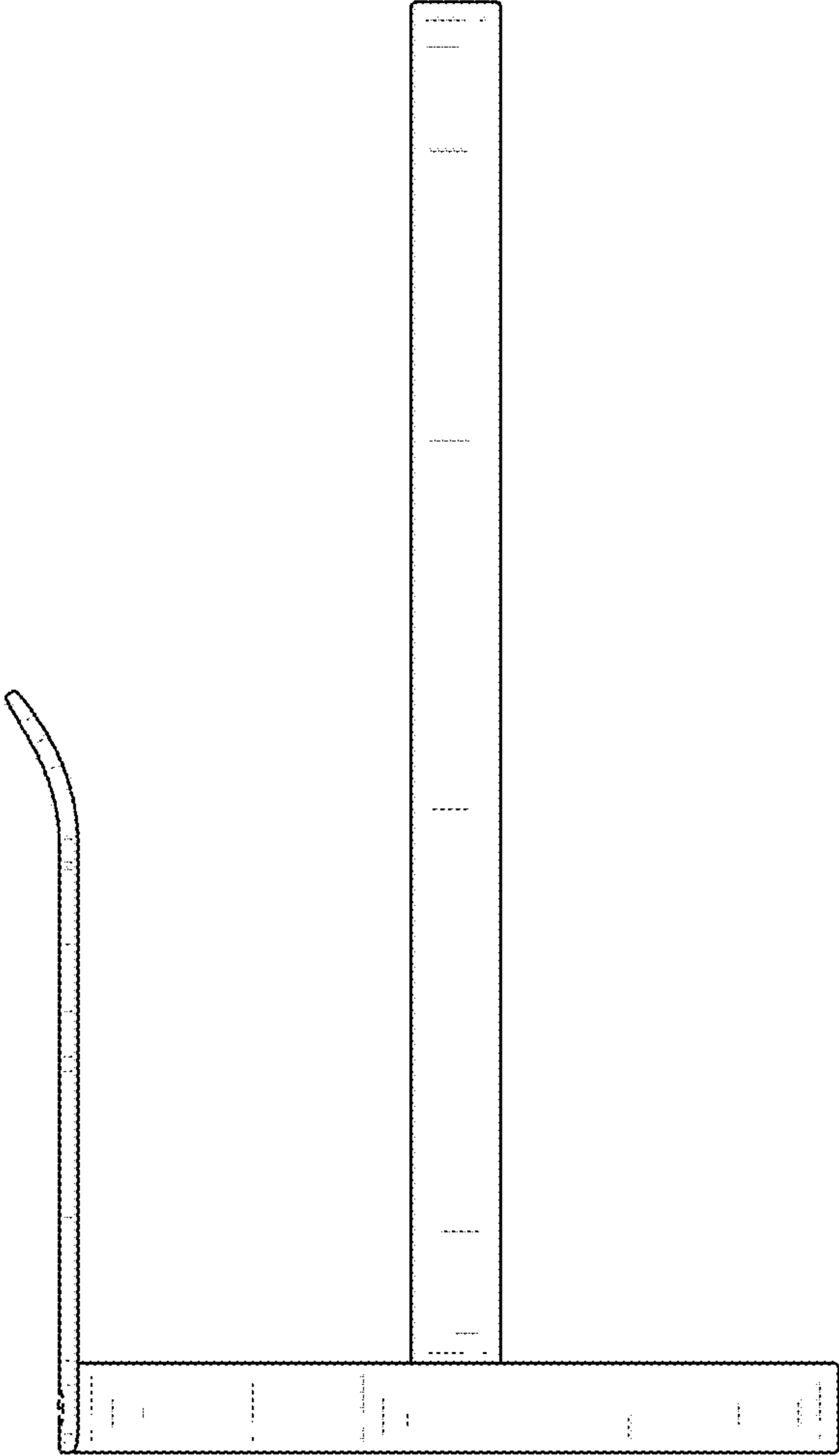


FIG. 4

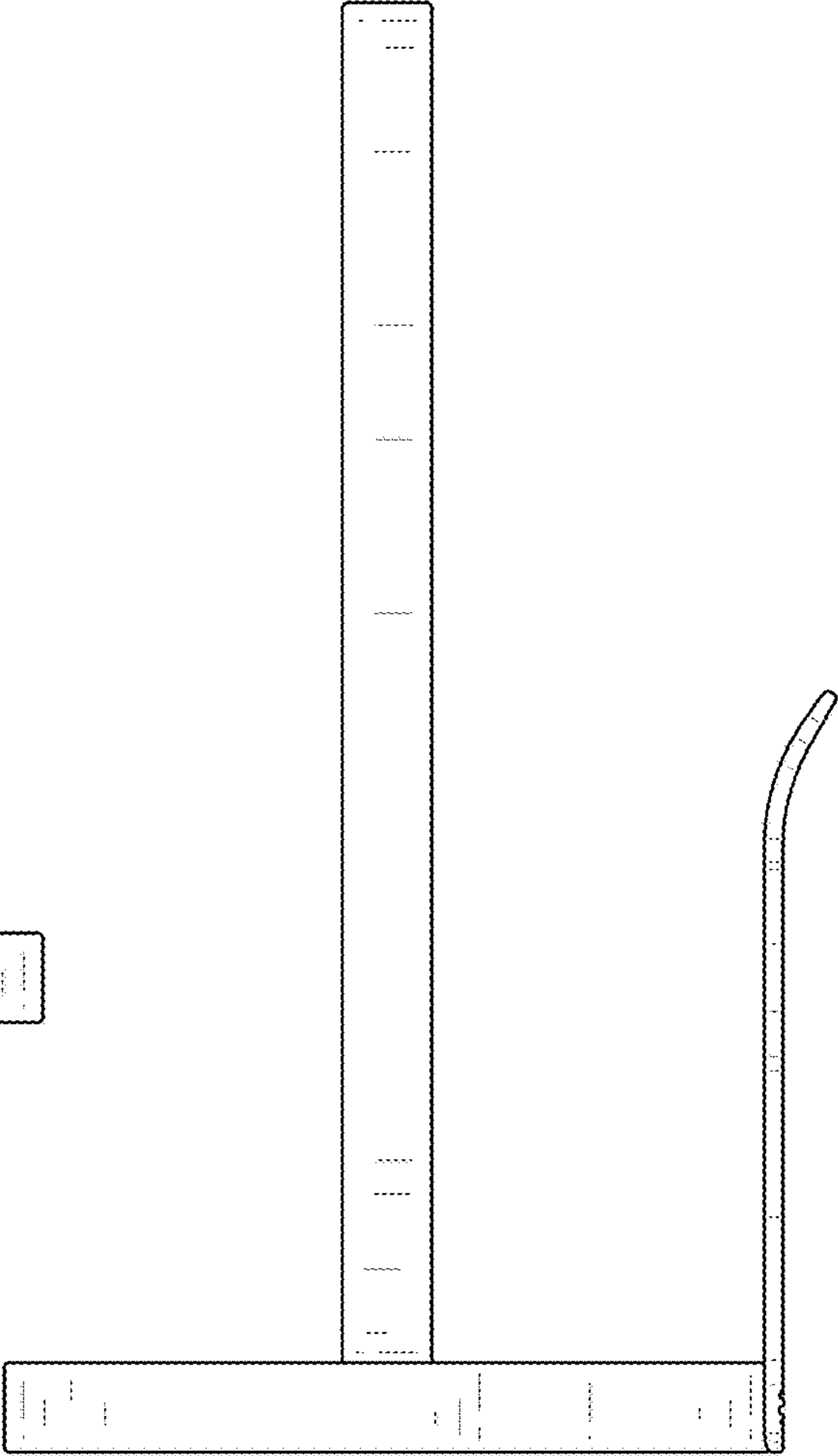


FIG. 5

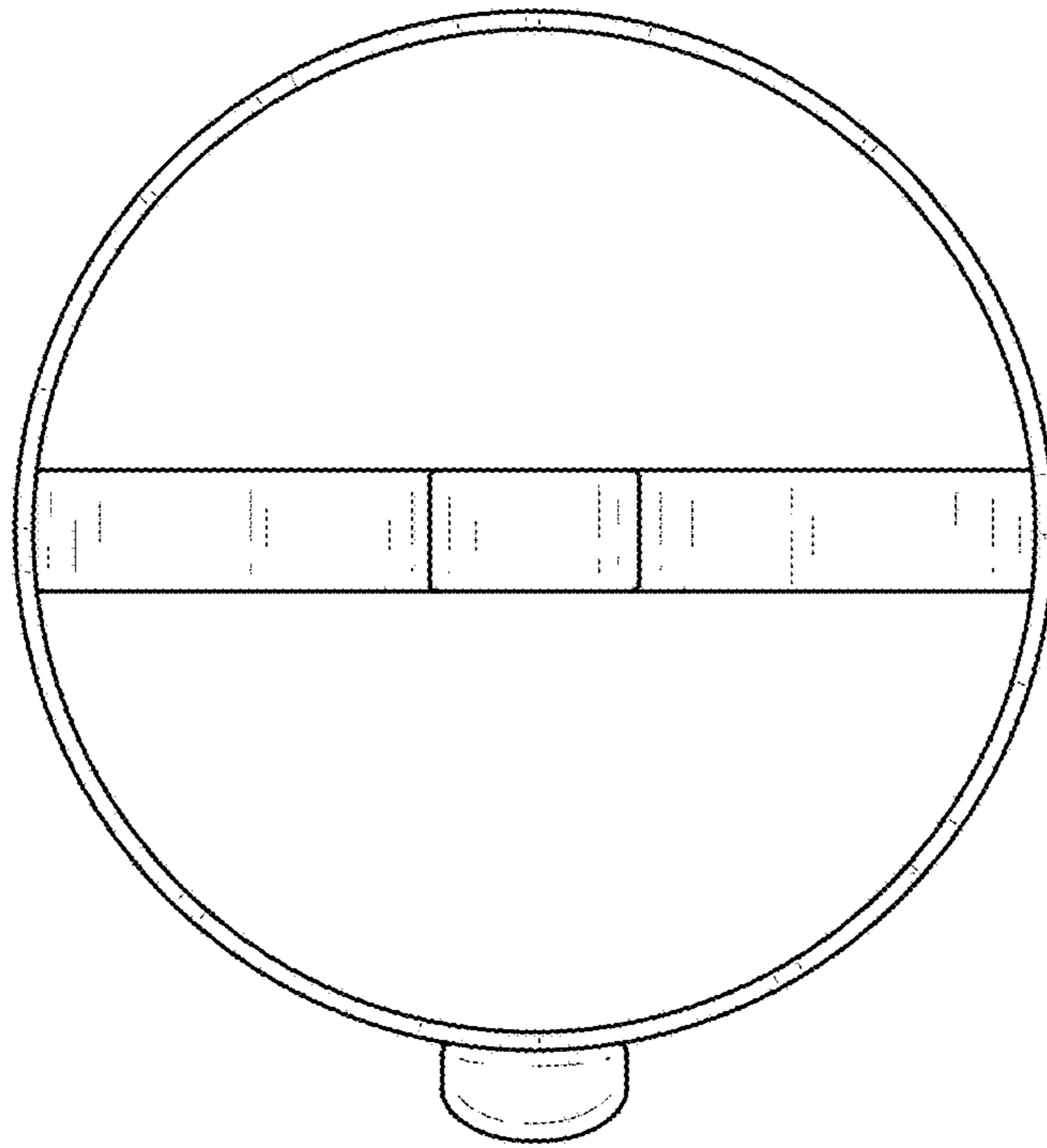


FIG. 6

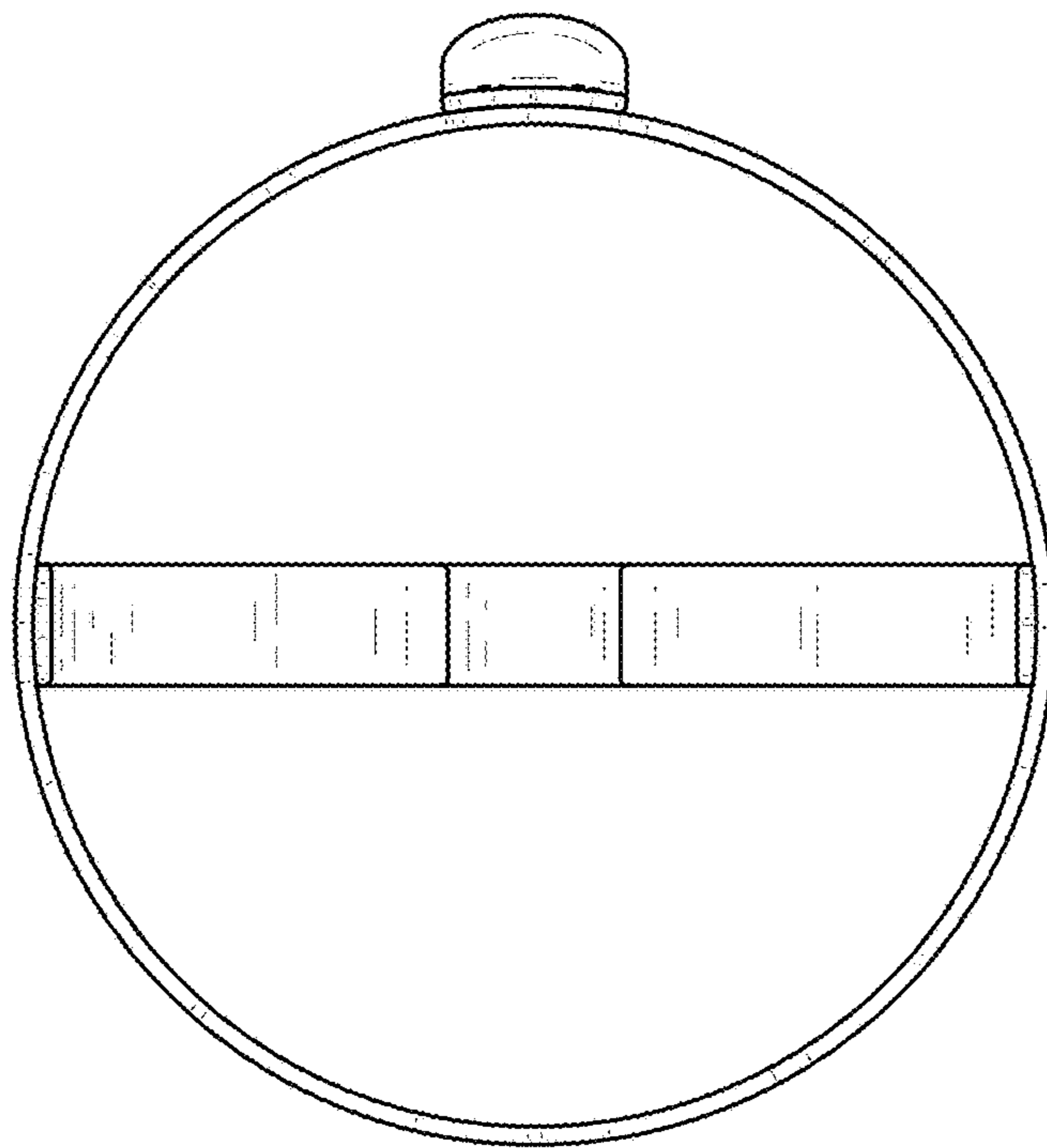


FIG. 7