



US00D885784S

(12) **United States Design Patent** (10) **Patent No.:** **US D885,784 S**
Dittrich et al. (45) **Date of Patent:** **** Jun. 2, 2020**

- (54) **PAPER TOWEL HOLDER**
- (71) Applicant: **Spectrum Diversified Designs, LLC**,
Streetsboro, OH (US)
- (72) Inventors: **Megan Dittrich**, Twinsburg, OH (US);
Aaron D. Goodman, Beachwood, OH (US)
- (73) Assignee: **Spectrum Diversified Designs, LLC**,
Streetsboro, OH (US)
- (**) Term: **15 Years**
- (21) Appl. No.: **29/633,585**
- (22) Filed: **Jan. 15, 2018**
- (51) **LOC (12) Cl.** **20-02**
- (52) **U.S. Cl.**
USPC **D6/521**
- (58) **Field of Classification Search**
USPC D6/518-522; 211/13.1, 45, 59.1, 89.01;
248/309.1, 309.2; 206/389, 391;
242/590, 597.7
CPC A47K 10/04; A47K 10/10; A47K 10/3836;
A47K 2010/324; A47K 2010/389; B08B
1/006
See application file for complete search history.

D651,857 S *	1/2012	Goodman	D7/600
D698,571 S *	2/2014	Tawil	D6/520
D699,046 S *	2/2014	Goodman	D6/521
D716,070 S *	10/2014	Goodman	D6/521
D723,832 S	3/2015	Goodman et al.		
D758,755 S *	6/2016	Goodman	D6/521
D771,969 S *	11/2016	Hsu	D6/521
D787,226 S *	5/2017	Goodman	D6/521
D819,360 S *	6/2018	Goodman	D6/521
D821,779 S *	7/2018	Goodman	D6/521

OTHER PUBLICATIONS

Spectrum Diversified website, Harper Deluxe Paper Towel Holder, Aug. 8, 2019, <https://www.spectrumdiversified.com/products/harper-deluxe-paper-towel-holder> (Year: 2019).*

* cited by examiner

Primary Examiner — Nathan M Johnston

(74) *Attorney, Agent, or Firm* — Renner, Otto, Boisselle and Sklar, LLP

(57) **CLAIM**

The ornamental design for a paper towel holder, as shown and described.

DESCRIPTION

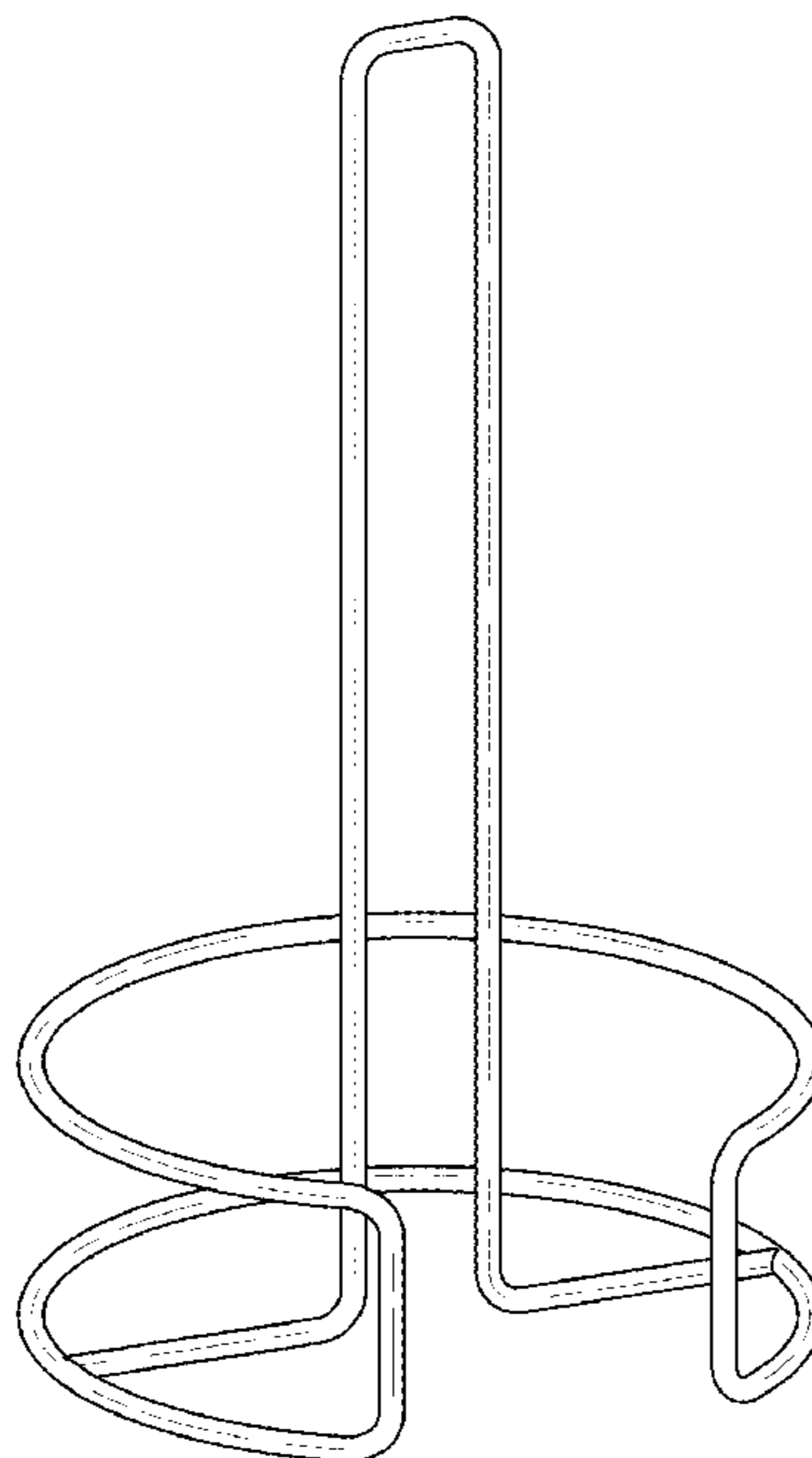
FIG. 1 is a top, left, rear perspective view of a paper towel holder showing our new design;
FIG. 2 is a front elevation view thereof;
FIG. 3 is a rear elevation view thereof;
FIG. 4 is a right side elevation view thereof;
FIG. 5 is a left side elevation view thereof;
FIG. 6 is a top plan view thereof; and,
FIG. 7 is a bottom plan view thereof.

1 Claim, 4 Drawing Sheets

(56) **References Cited**

U.S. PATENT DOCUMENTS

D390,054 S *	2/1998	Goodman	D6/521
D412,803 S *	8/1999	Goodman	D6/521
D474,634 S *	5/2003	Ancona	D6/521
D628,836 S *	12/2010	Guindi	D6/521



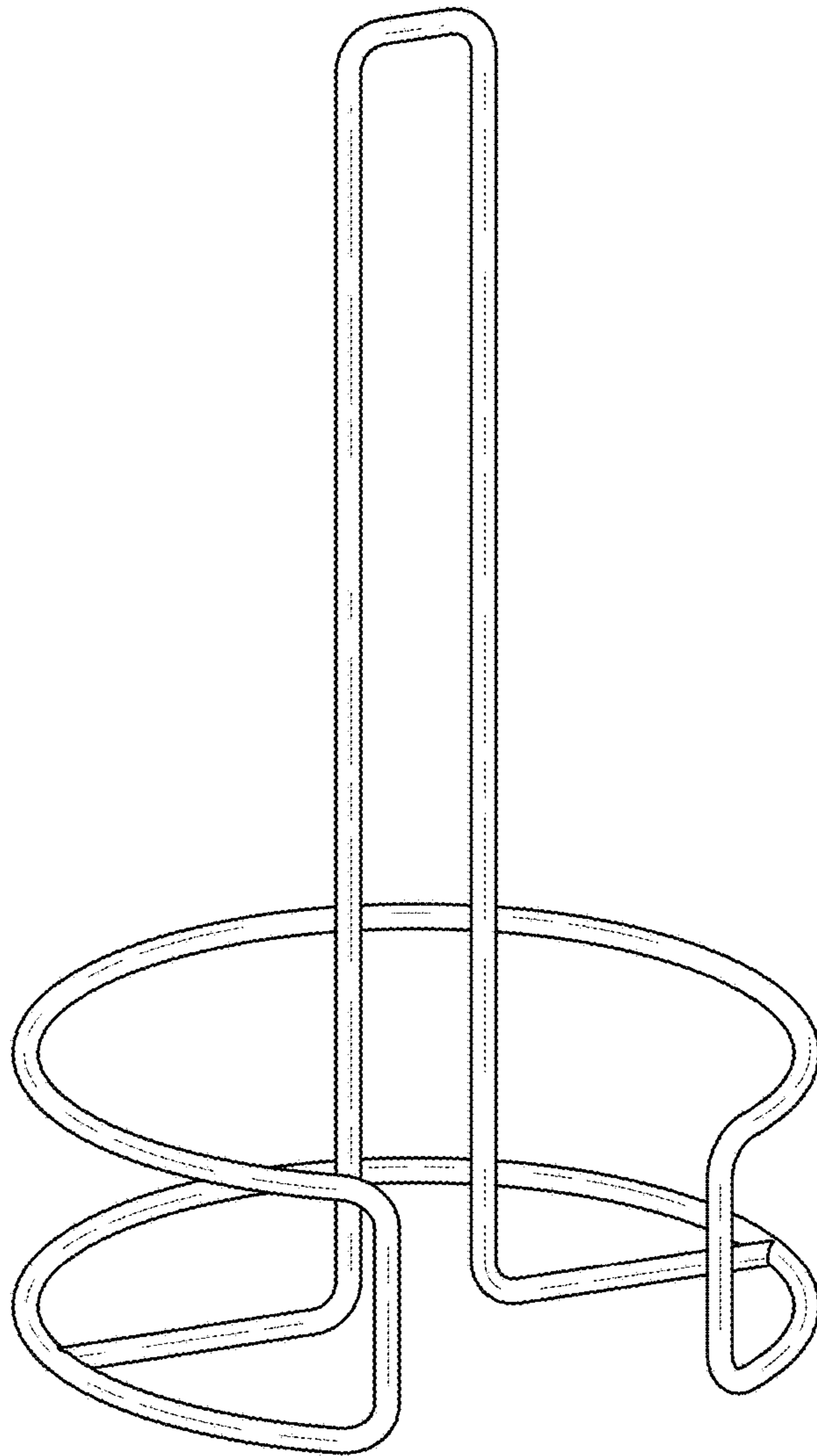


FIG. 1

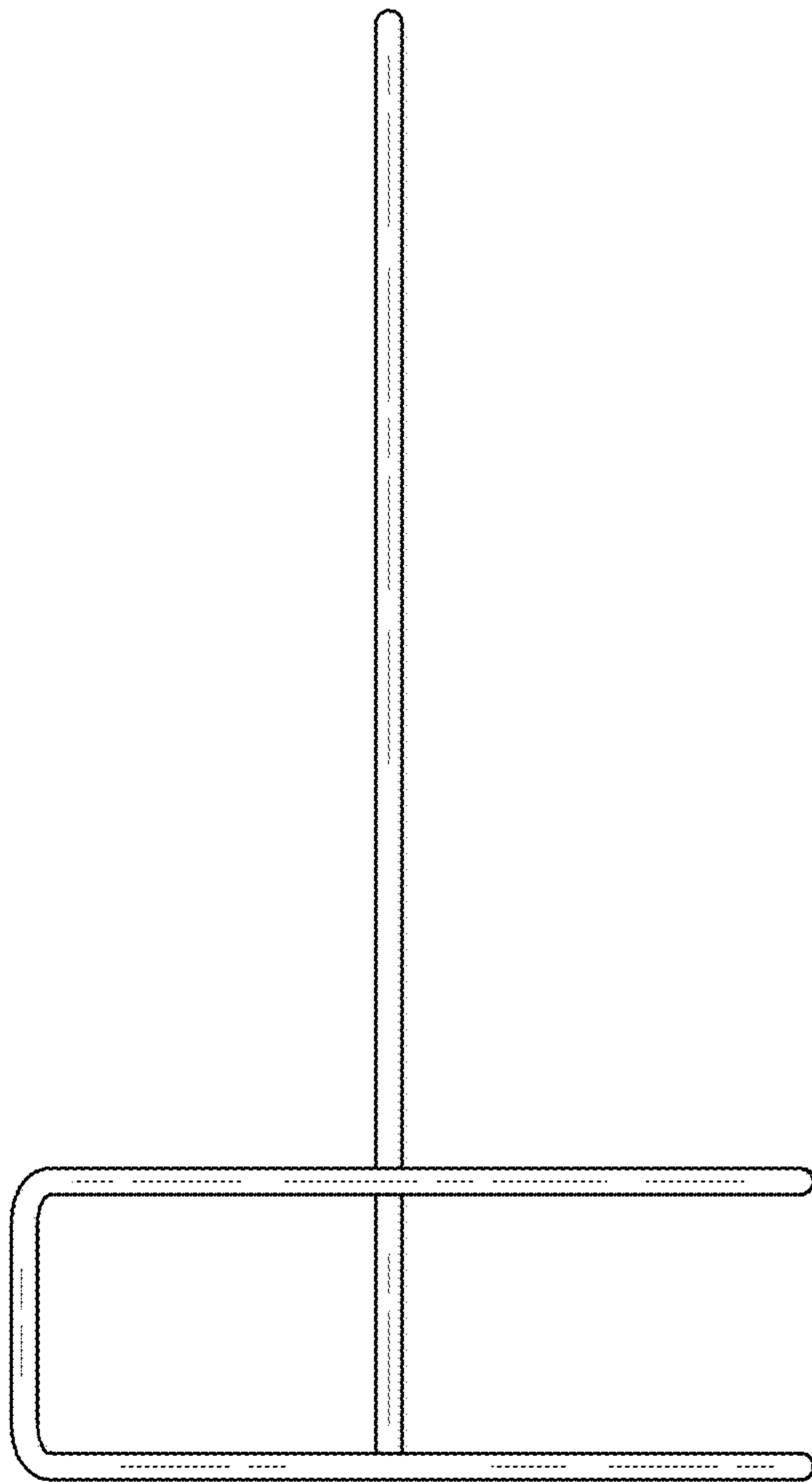


FIG. 2

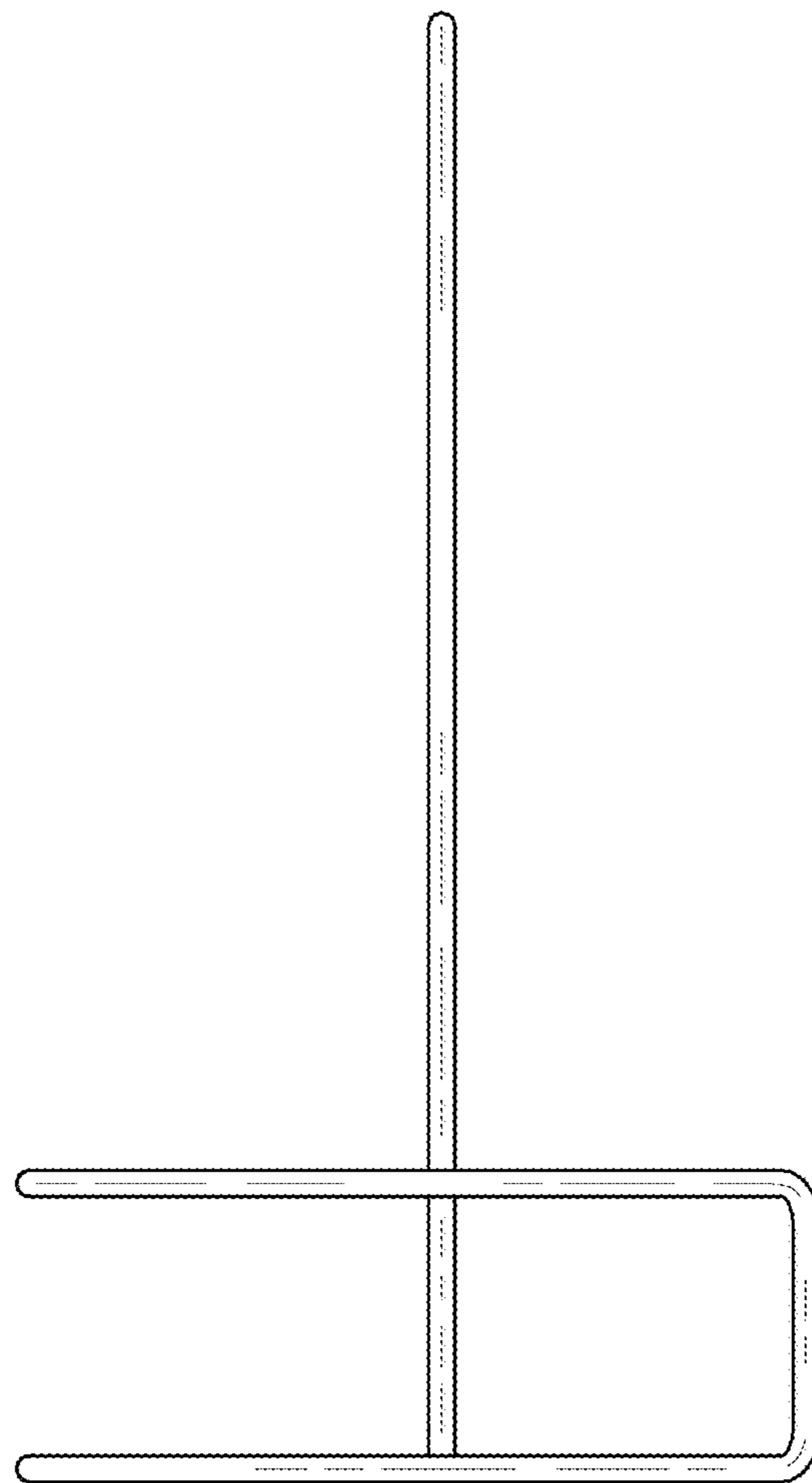


FIG. 3

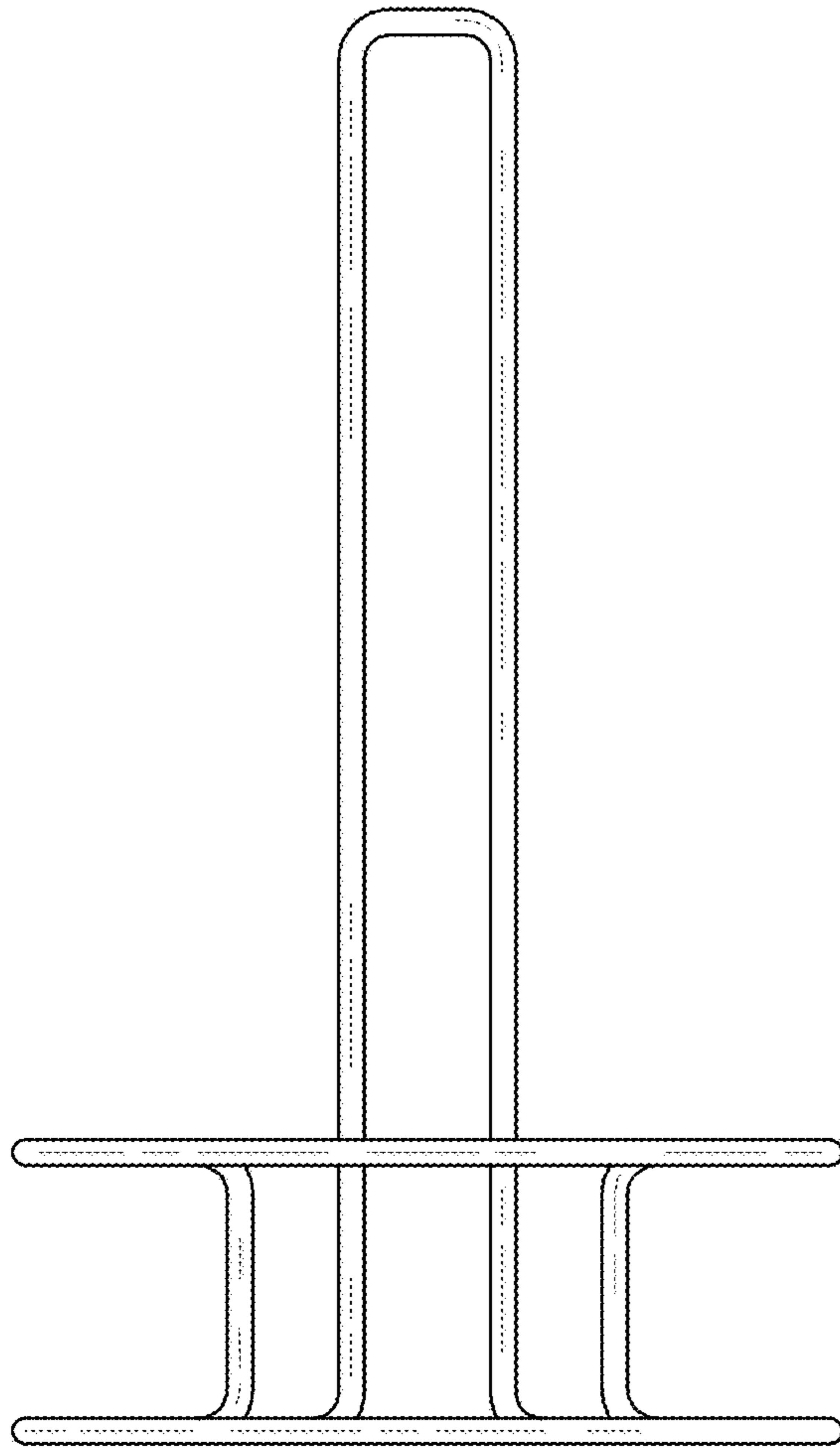


FIG. 4

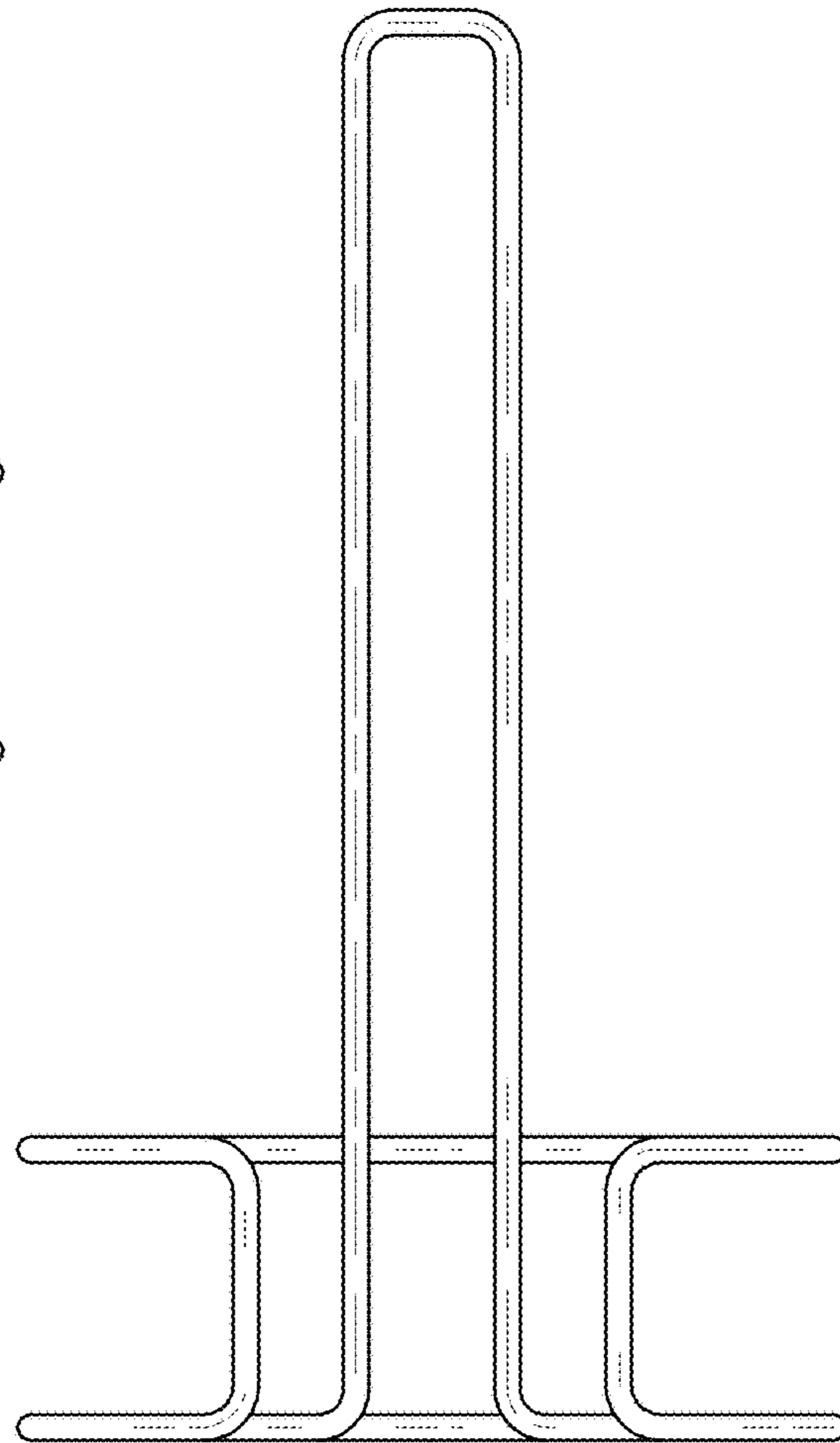


FIG. 5

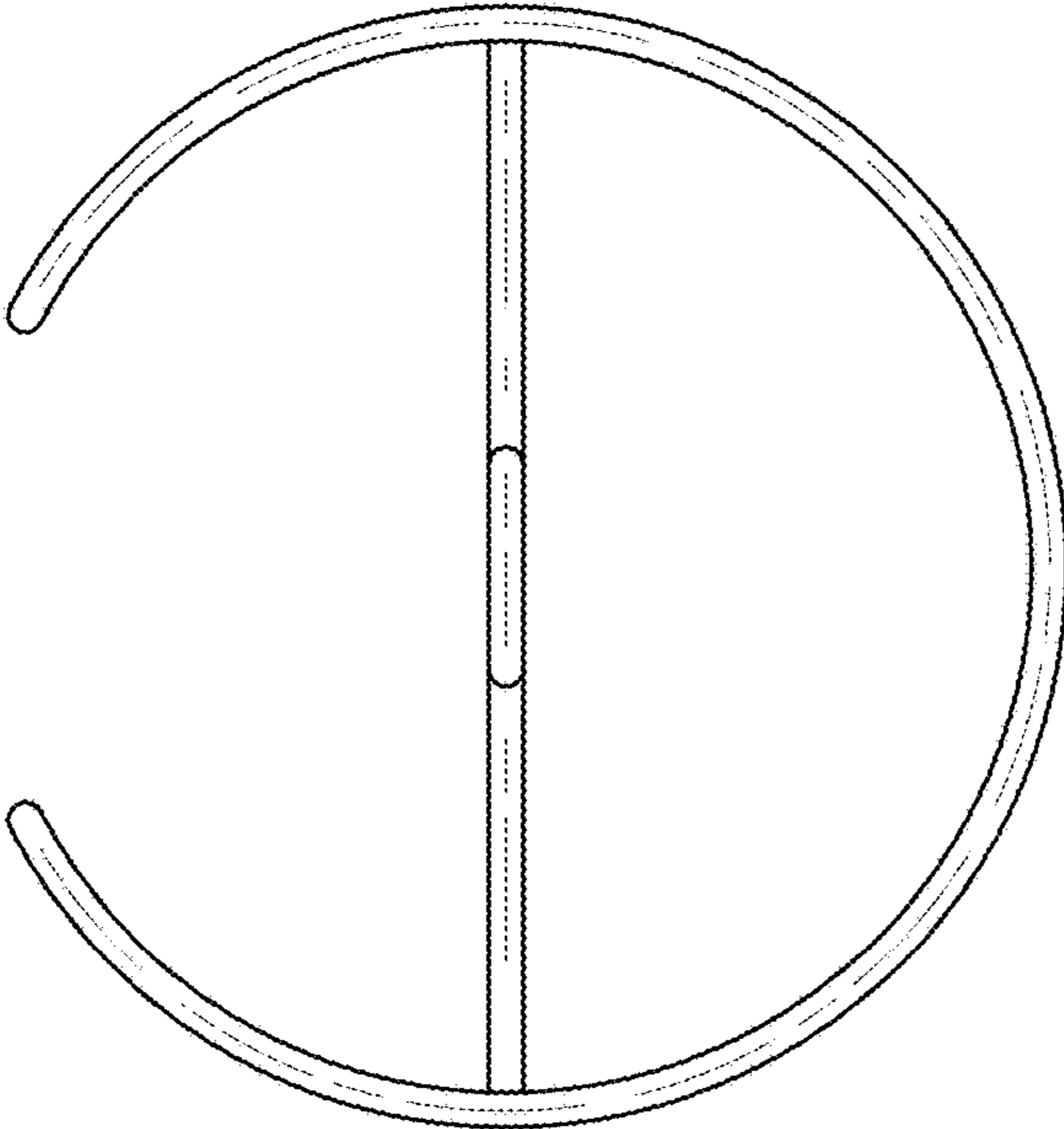


FIG. 6

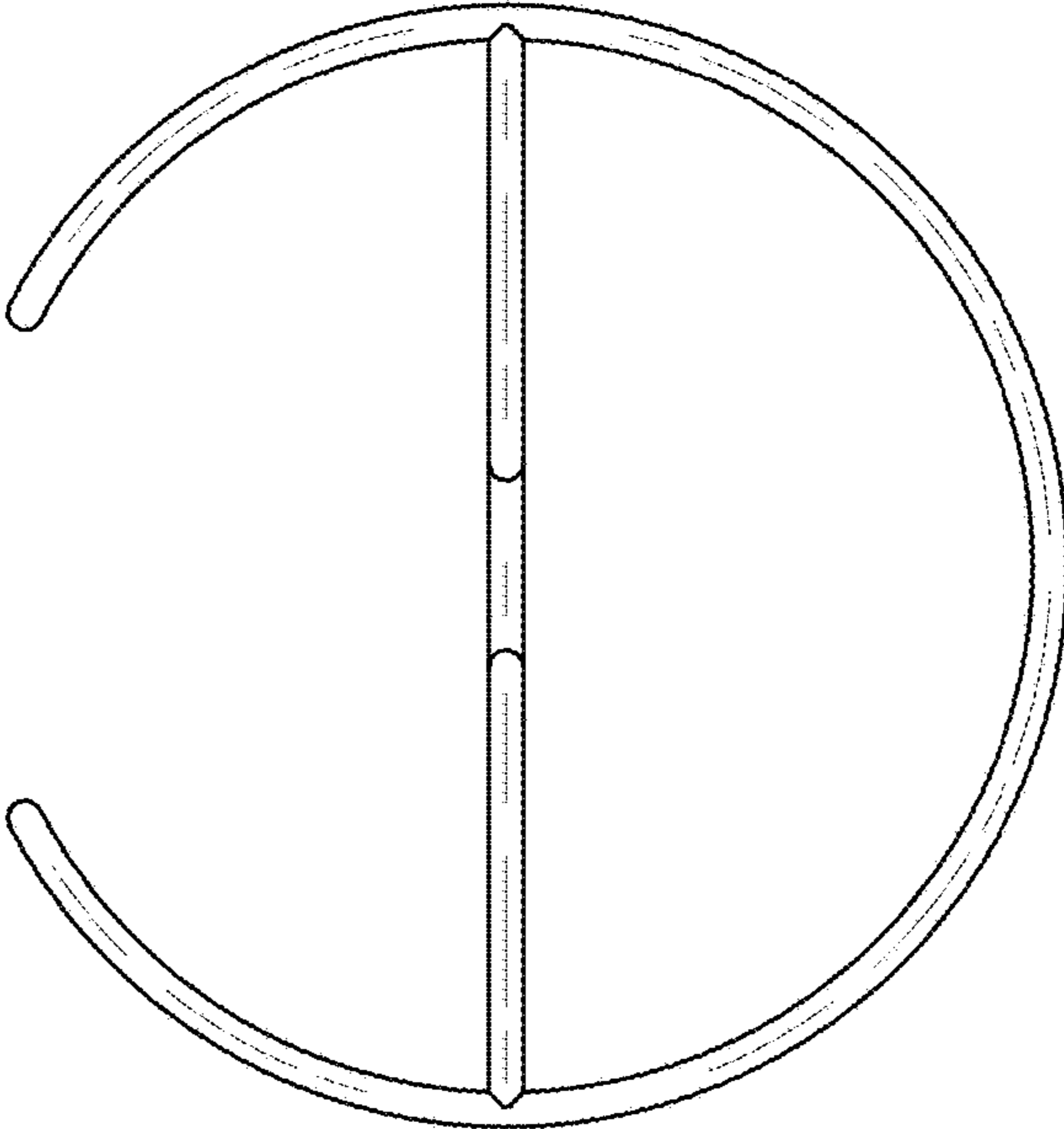


FIG. 7