



US00D885779S

(12) **United States Design Patent**  
**Li**

(10) **Patent No.:** **US D885,779 S**  
(45) **Date of Patent:** **\*\* Jun. 2, 2020**

(54) **GAMING CHAIR**

(71) Applicant: **Xiaozhun Li**, Zhejiang (CN)

(72) Inventor: **Xiaozhun Li**, Zhejiang (CN)

(\*\*) Term: **15 Years**

(21) Appl. No.: **29/718,245**

(22) Filed: **Dec. 23, 2019**

(51) **LOC (12) Cl.** ..... **06-01**

(52) **U.S. Cl.**  
USPC ..... **D6/366**

(58) **Field of Classification Search**  
USPC ..... D6/334, 366, 367, 716  
CPC ..... A47C 4/028; A47C 7/004; A47C 7/006;  
A47C 7/18; B60N 2/02  
See application file for complete search history.

(56) **References Cited**

**U.S. PATENT DOCUMENTS**

D549,475 S *	8/2007	Su	.....	D6/356
D612,623 S *	3/2010	Smit	.....	D6/366
D691,822 S	10/2013	Smit		
D811,145 S *	2/2018	Li	.....	D6/716
D827,320 S *	9/2018	Xue	.....	D6/366
D846,906 S *	4/2019	Xue	.....	D6/366

D851,436 S *	6/2019	Shen	.....	D6/716
D851,974 S *	6/2019	Shen	.....	D6/716
D852,563 S *	7/2019	Shen	.....	D6/716
D856,696 S *	8/2019	Shen	.....	D6/366
D856,697 S *	8/2019	Shen	.....	D6/366
D856,698 S *	8/2019	Shen	.....	D6/366
D869,214 S *	12/2019	Chen	.....	D6/716

\* cited by examiner

*Primary Examiner* — Michael A. Pratt  
(74) *Attorney, Agent, or Firm* — ZANIP

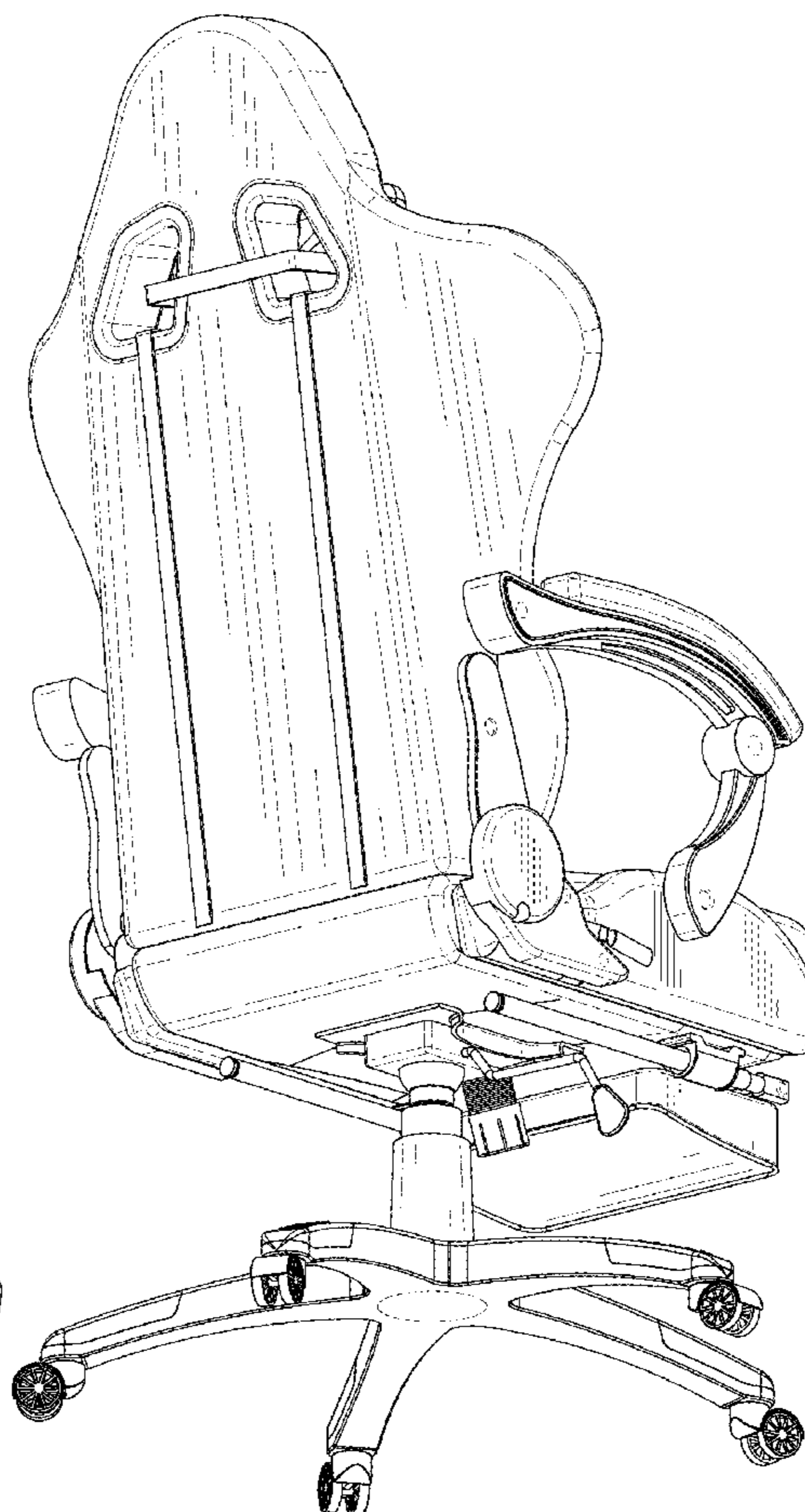
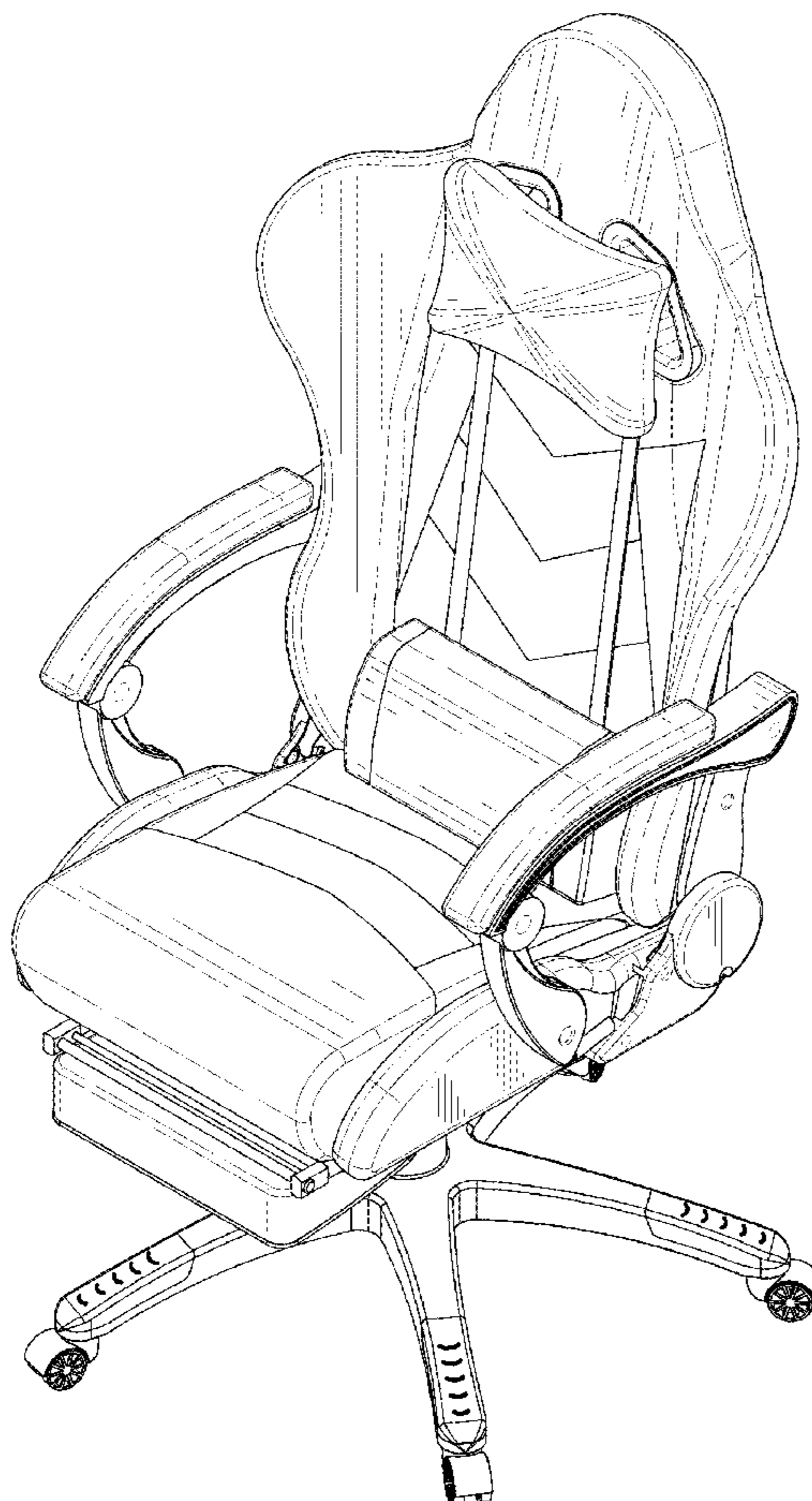
(57) **CLAIM**

The ornamental design for a gaming chair, as shown and described.

**DESCRIPTION**

FIG. 1 is a front and top perspective view of a gaming chair, showing my new design;  
FIG. 2 is a rear and bottom perspective view thereof;  
FIG. 3 is a front elevational view thereof;  
FIG. 4 is a rear elevational view thereof;  
FIG. 5 is a left side elevational view thereof;  
FIG. 6 is a right side elevational view thereof;  
FIG. 7 is a top plan view thereof; and,  
FIG. 8 is a bottom plan view thereof.  
The broken lines in the figures illustrate portions of the gaming chair that form no part of the claimed design.

**1 Claim, 8 Drawing Sheets**



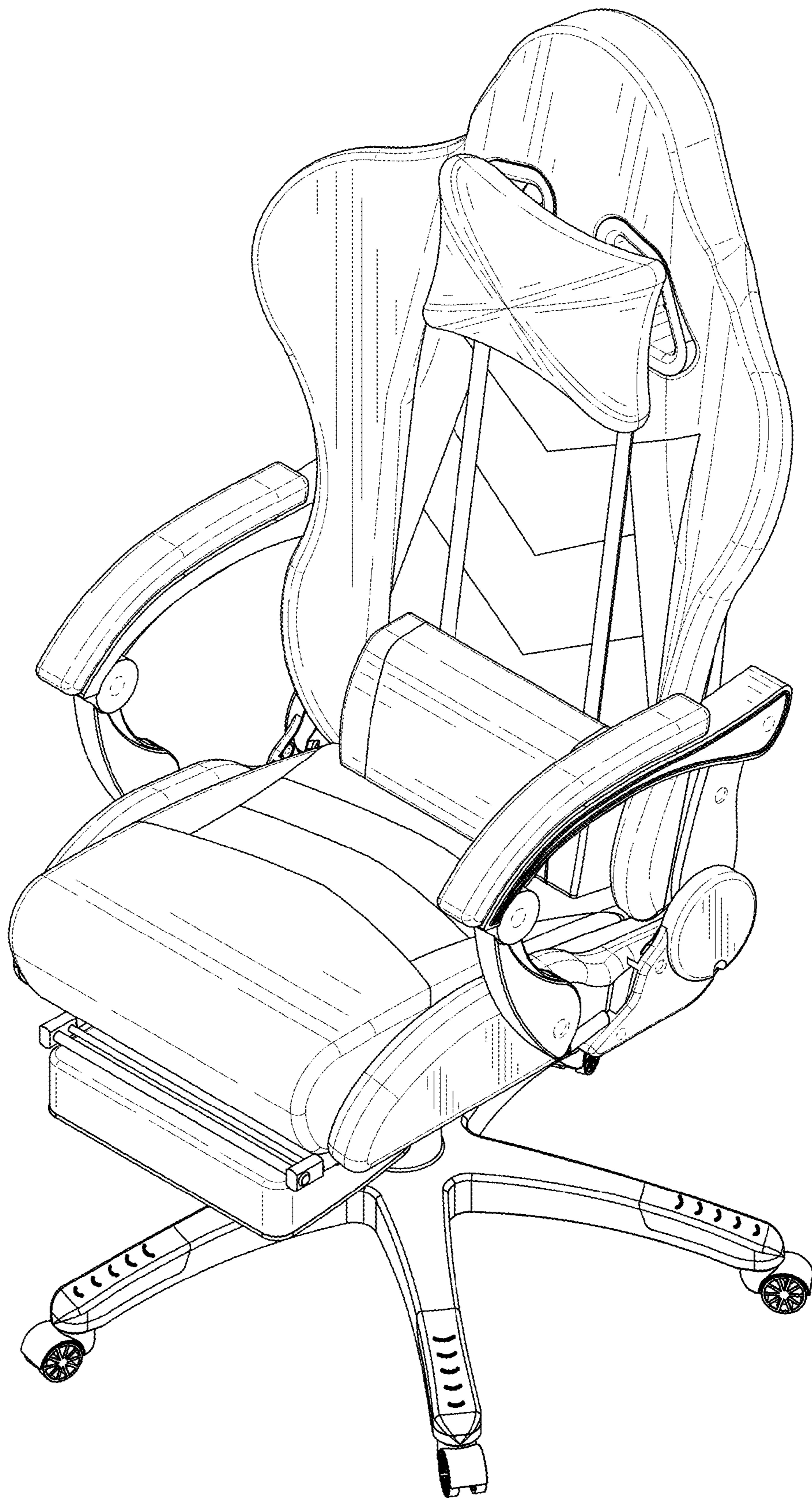


FIG. 1

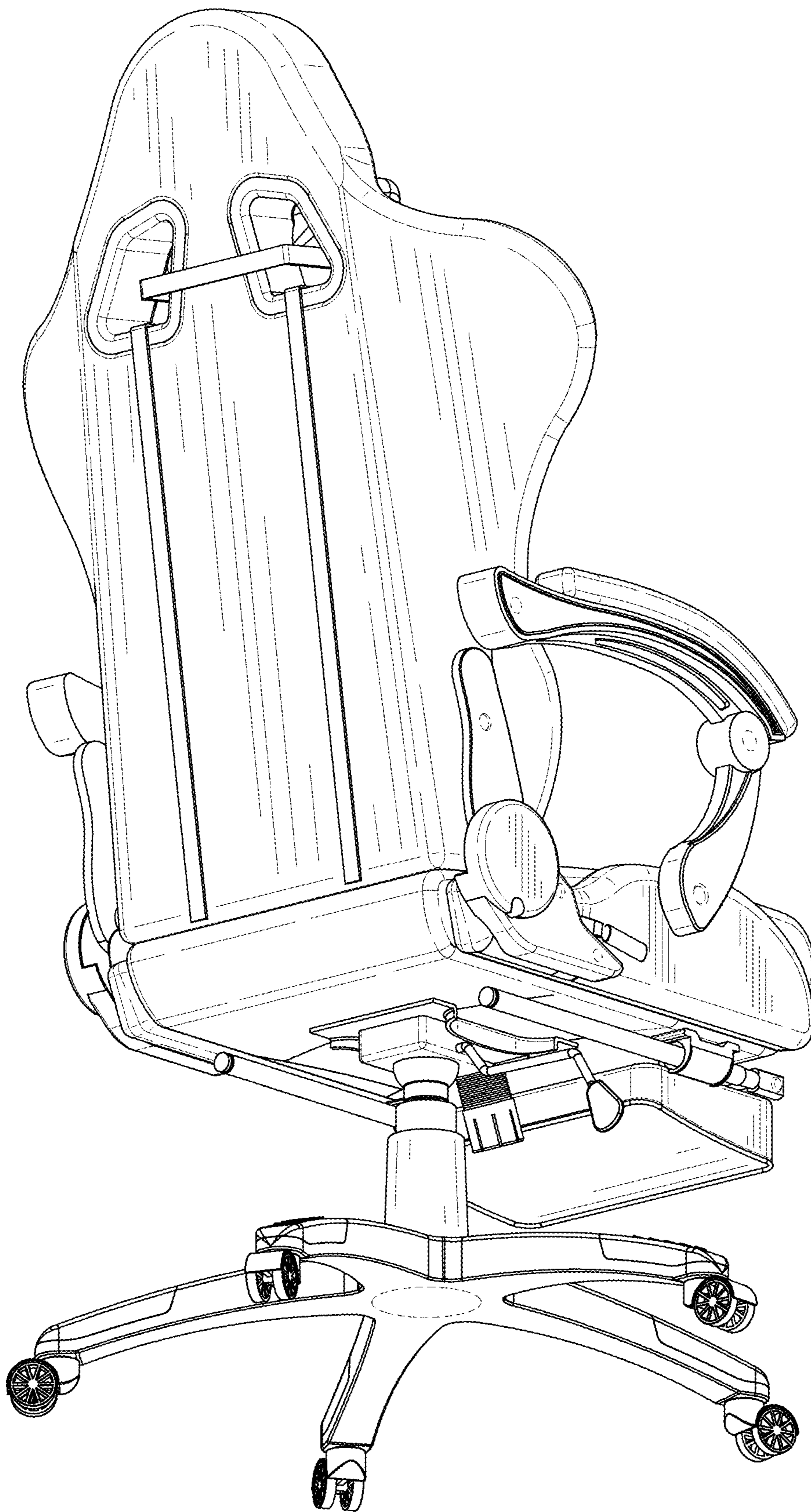


FIG. 2

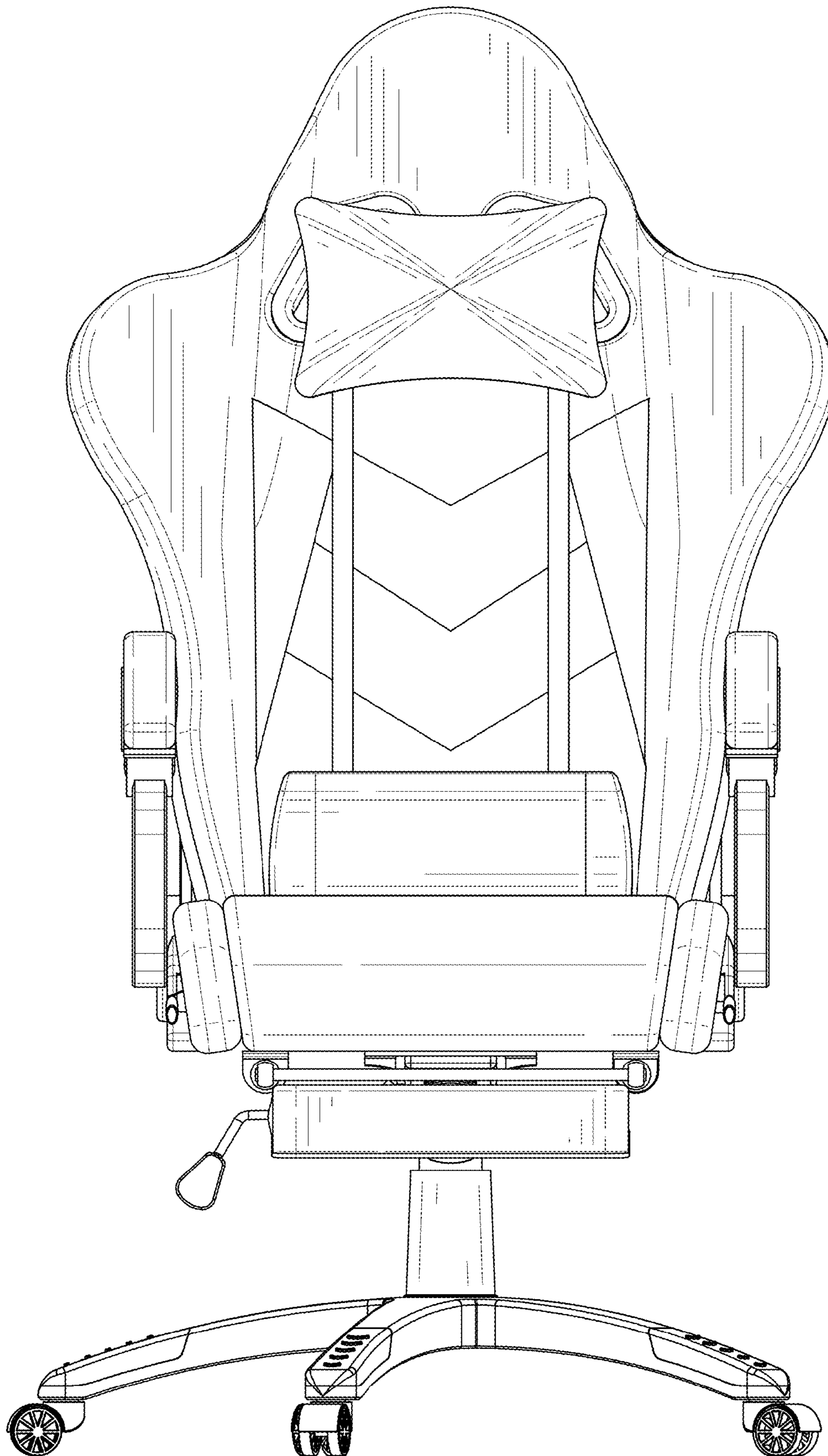


FIG. 3

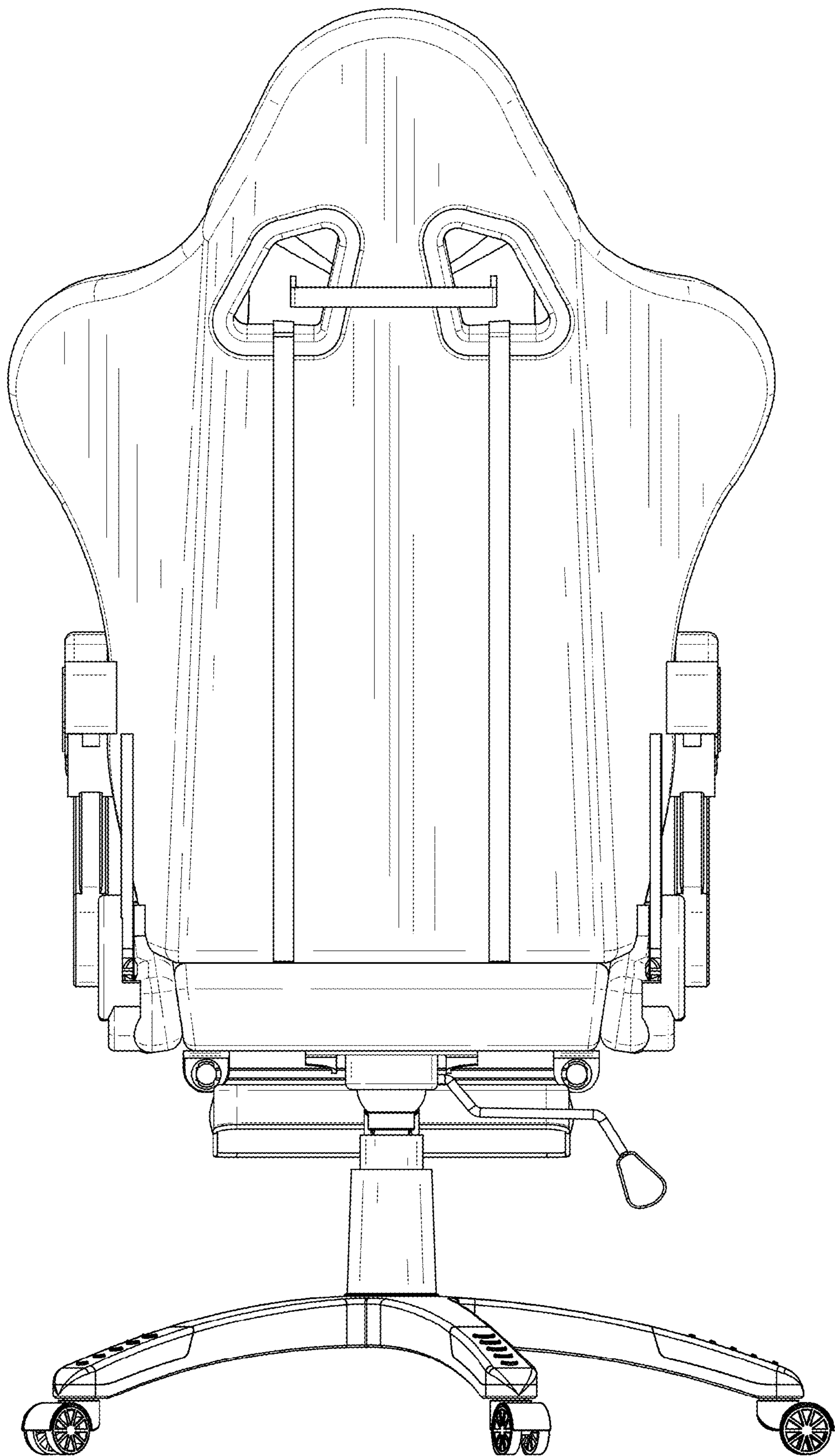


FIG. 4

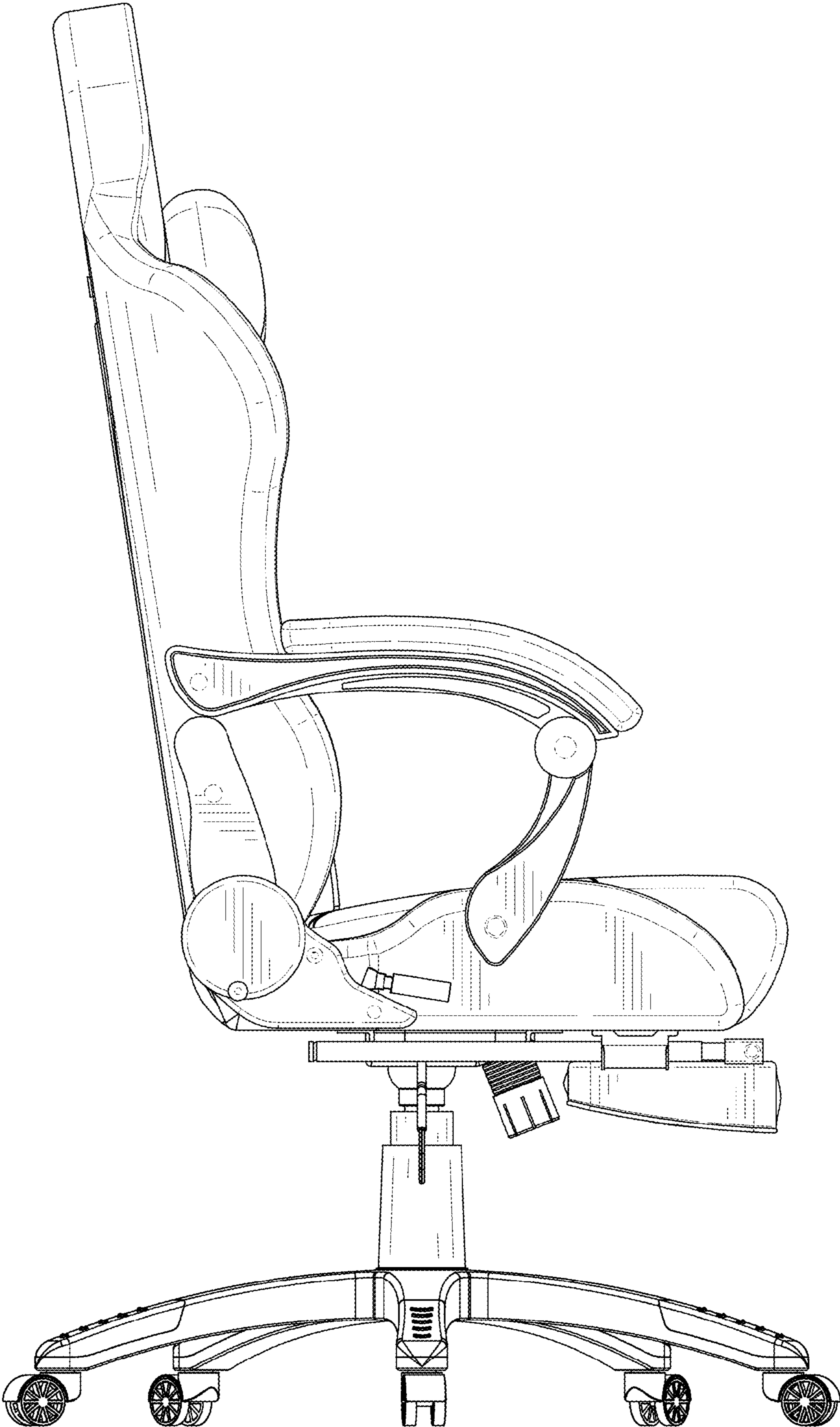


FIG. 5

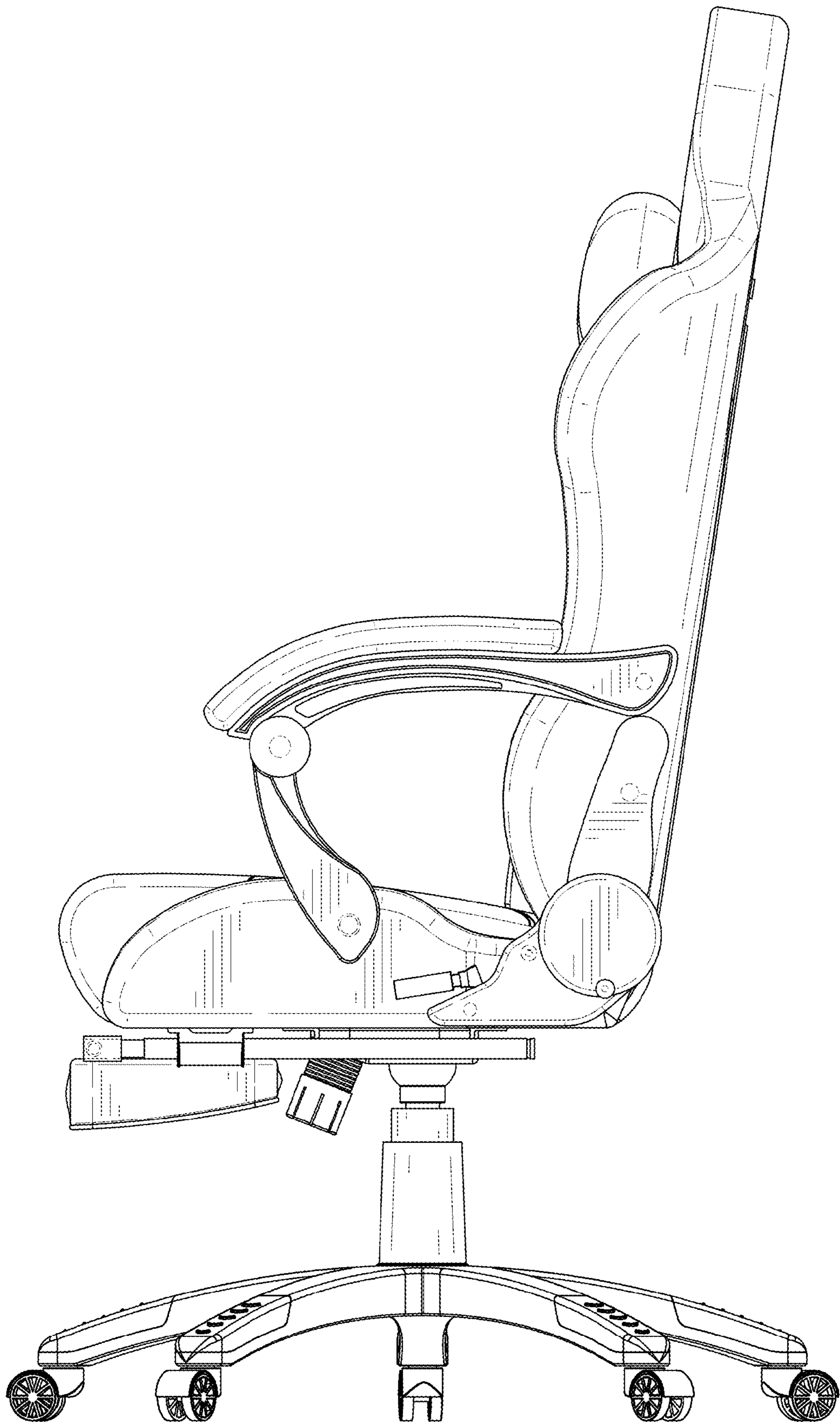


FIG. 6

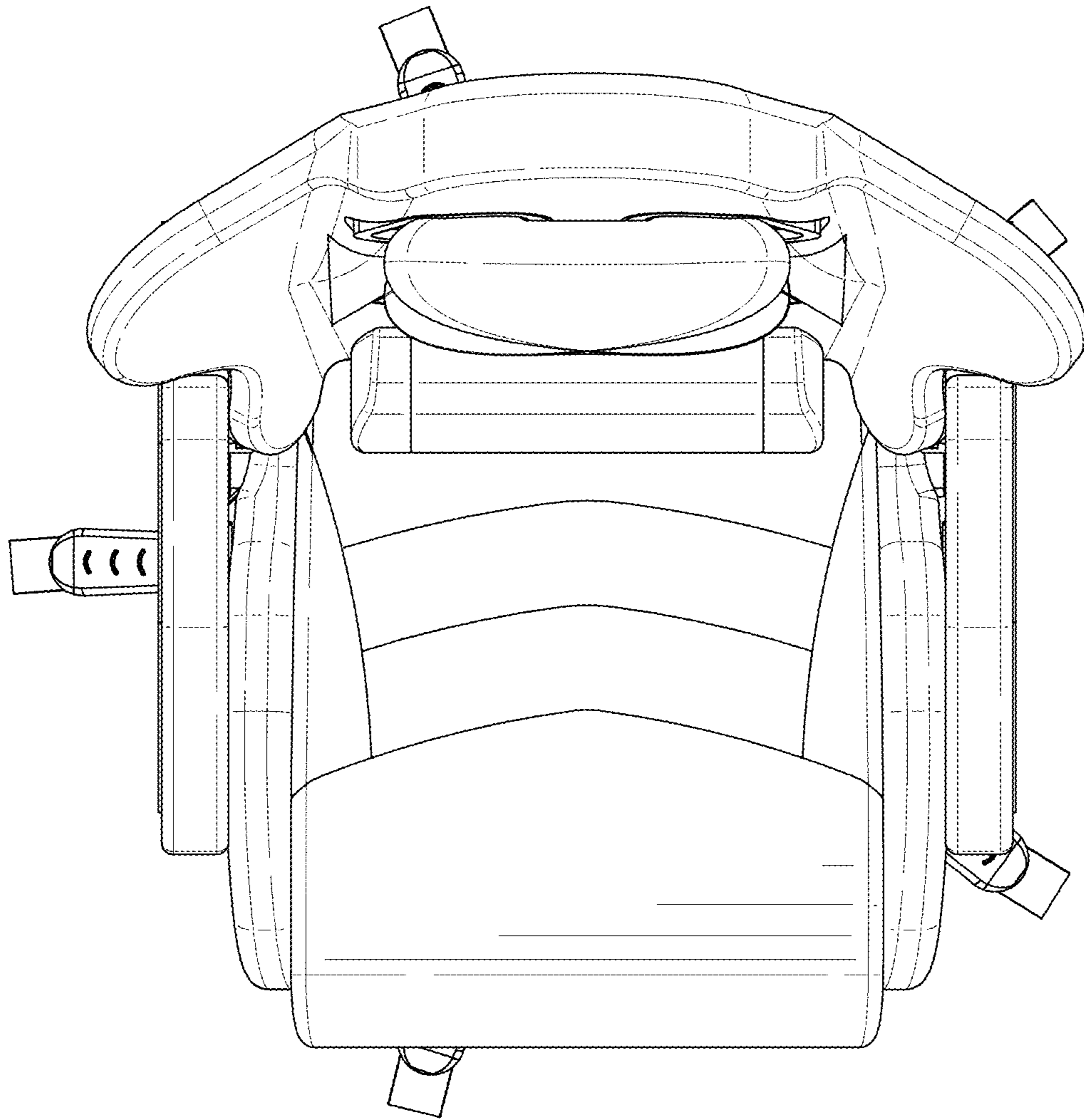


FIG. 7



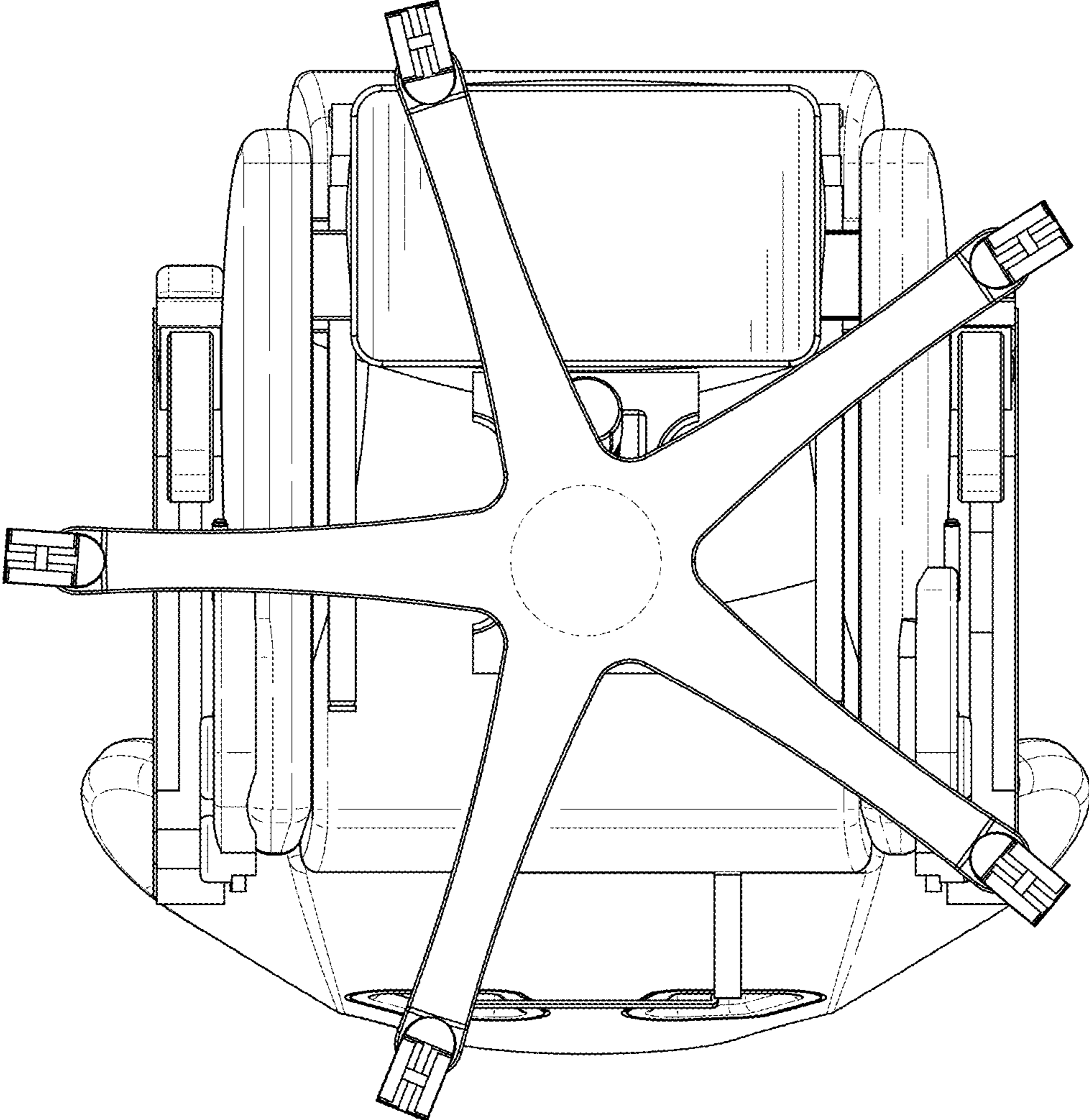


FIG. 8