



US00D885777S

(12) **United States Design Patent**
Wang et al.

(10) **Patent No.:** **US D885,777 S**

(45) **Date of Patent:** **** Jun. 2, 2020**

(54) **CHAIR**

(71) Applicant: **Ningbo Paright Outdoor Products Co., Ltd.**, Ningbo (CN)

(72) Inventors: **Ji Wang**, Ningbo (CN); **Ninghao Guo**, Ningbo (CN)

(**) Term: **15 Years**

(21) Appl. No.: **29/645,637**

(22) Filed: **Apr. 27, 2018**

(30) **Foreign Application Priority Data**

Mar. 30, 2018 (CN) 2018 3 0124063
Mar. 30, 2018 (CN) 2018 3 0124443

(51) **LOC (12) Cl.** **06-01**

(52) **U.S. Cl.**
USPC **D6/348**

(58) **Field of Classification Search**
USPC D6/334, 335, 336, 366, 367, 369, 370,
D6/374, 375-381, 344, 348
CPC A47C 3/02; A47C 3/029
See application file for complete search history.

(56) **References Cited**

U.S. PATENT DOCUMENTS

D222,450 S * 10/1971 Brook D6/373
D239,223 S * 3/1976 Smith D6/348
D281,935 S * 12/1985 Lowsky D6/373
D294,783 S * 3/1988 Goldman D6/373
D438,398 S * 3/2001 Frinier D6/375

D482,541 S * 11/2003 Puer D6/373
D542,552 S * 5/2007 Massaud D6/368
D562,020 S * 2/2008 Massaud D6/373
D653,469 S * 2/2012 Carrere D6/368
D679,514 S * 4/2013 Paulin D6/348
D681,355 S * 5/2013 Fernandes D6/348
D713,647 S * 9/2014 Pedersen D6/348
D732,302 S * 6/2015 Lange D6/379
D741,081 S * 10/2015 Hughes D6/381
D799,231 S * 10/2017 Baylar D6/373
D802,958 S * 11/2017 Lowsky D6/379
D805,316 S * 12/2017 Lowsky D6/379
D843,743 S * 3/2019 Muller D6/334
D851,971 S * 6/2019 Axelsson D6/692.4
D863,795 S * 10/2019 Foersom D6/348
D869,866 S * 12/2019 Wang D6/348

* cited by examiner

Primary Examiner — Deanna L Pratt

(74) *Attorney, Agent, or Firm* — KA Filing LLC; Wayne V. Harper

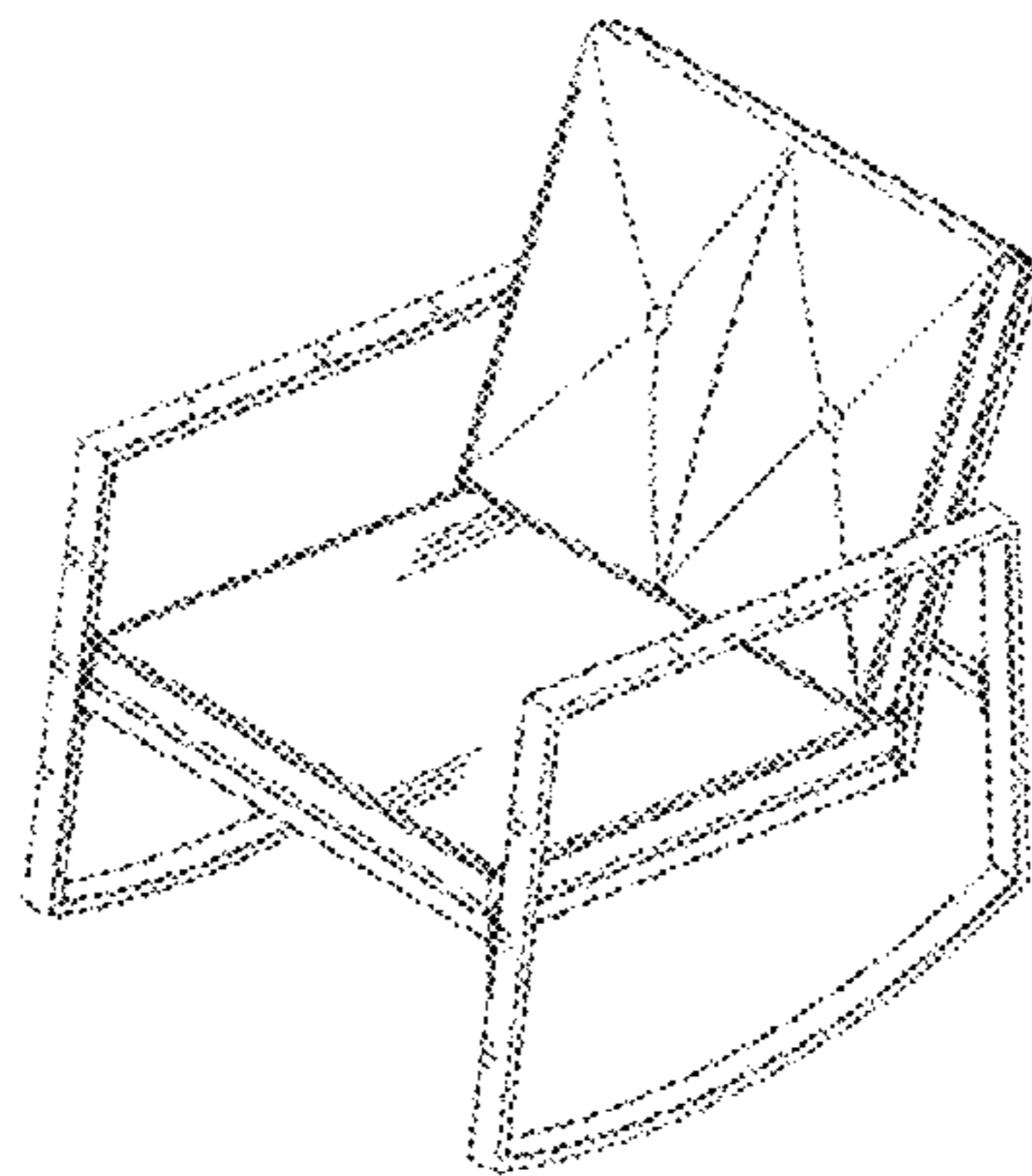
(57) **CLAIM**

The ornamental design of chair, as shown and described.

DESCRIPTION

FIG. 1 is a front view of a design for a chair;
FIG. 2 is a rear view of the chair of FIG. 1;
FIG. 3 is a left view of the chair of FIG. 1;
FIG. 4 is a right view of the chair of FIG. 1;
FIG. 5 is a top view of the chair of FIG. 1;
FIG. 6 is a bottom view of the chair of FIG. 1; and,
FIG. 7 is a perspective view of the chair of FIG. 1.

1 Claim, 5 Drawing Sheets



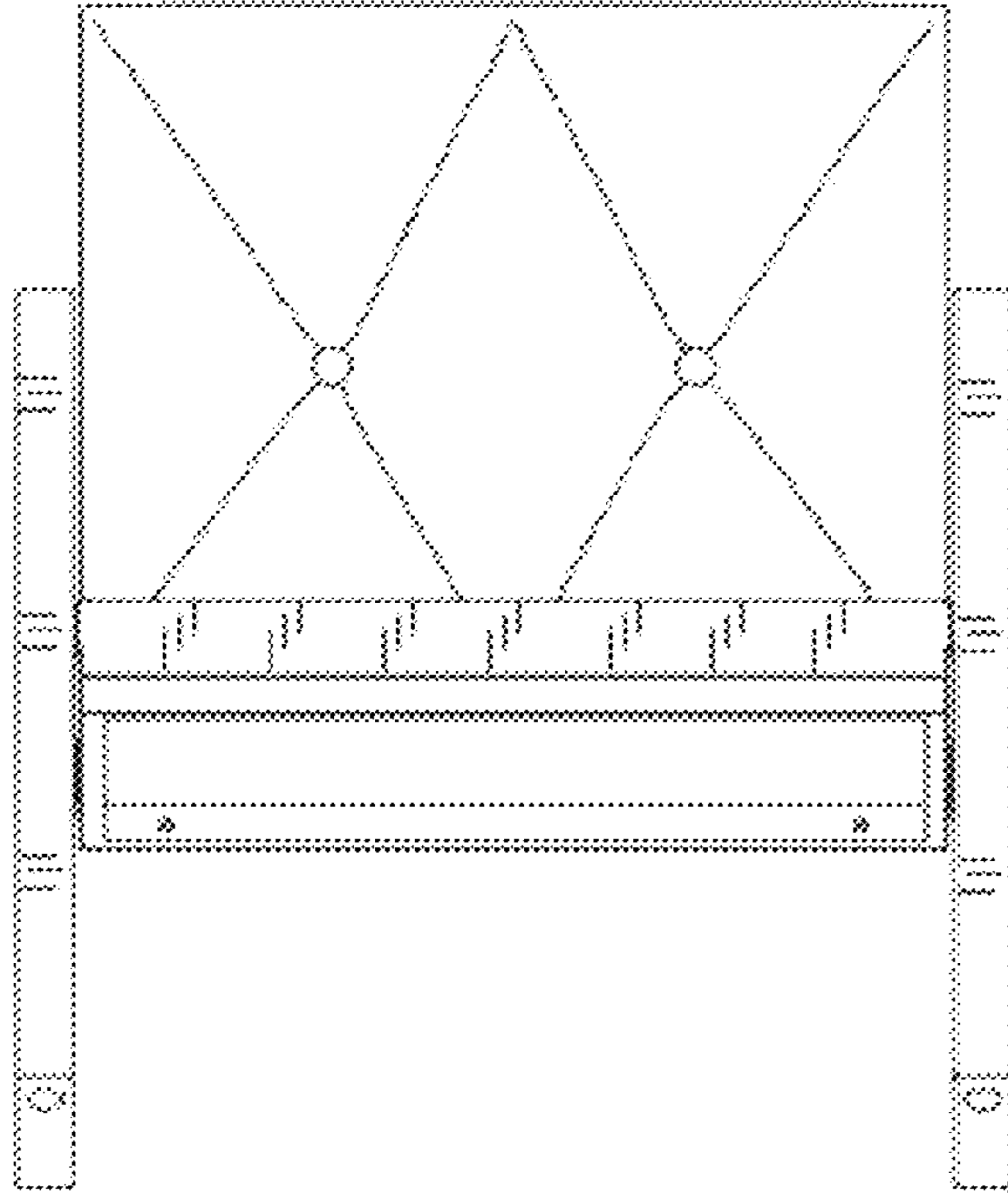


FIG. 1

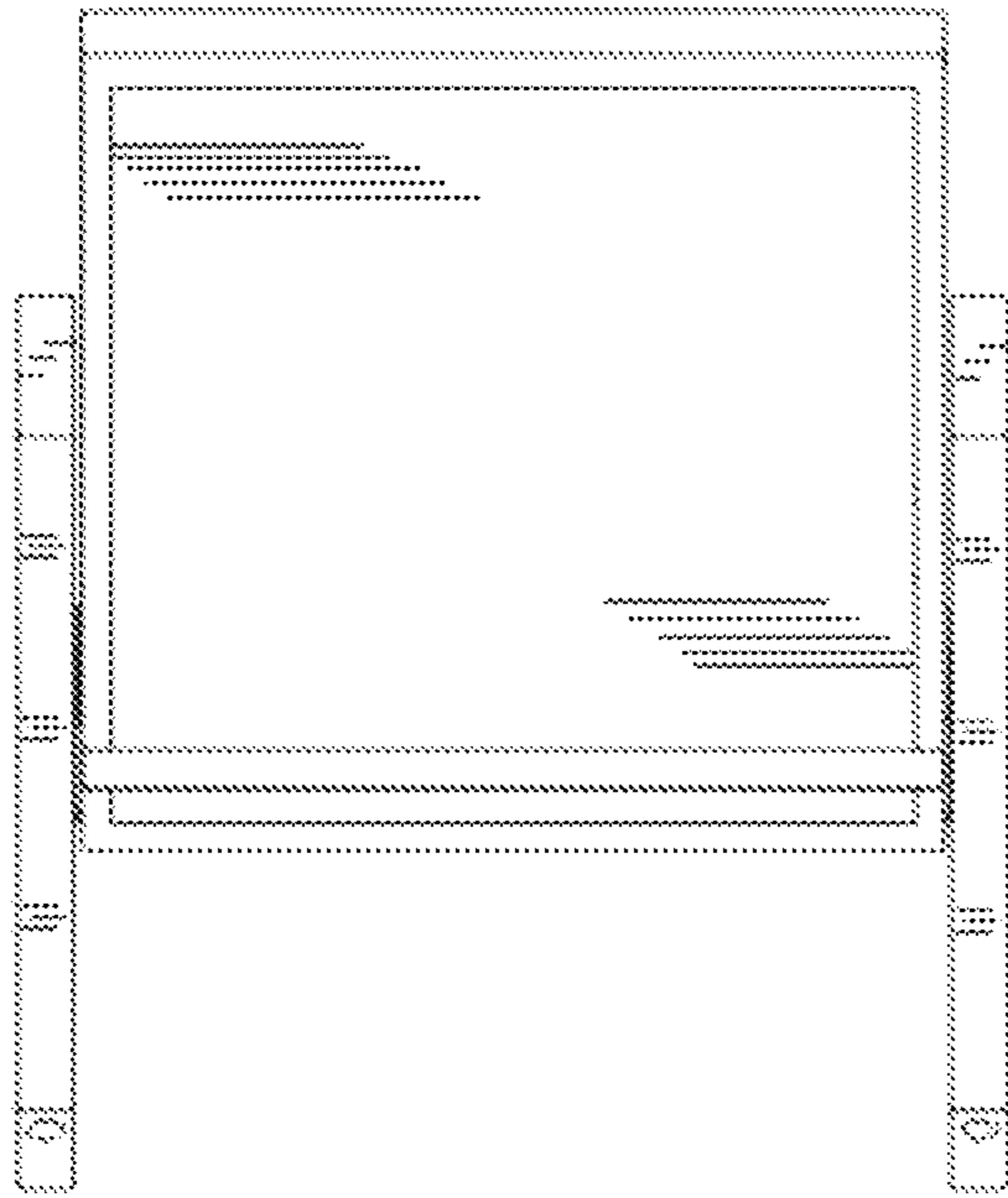


FIG. 2

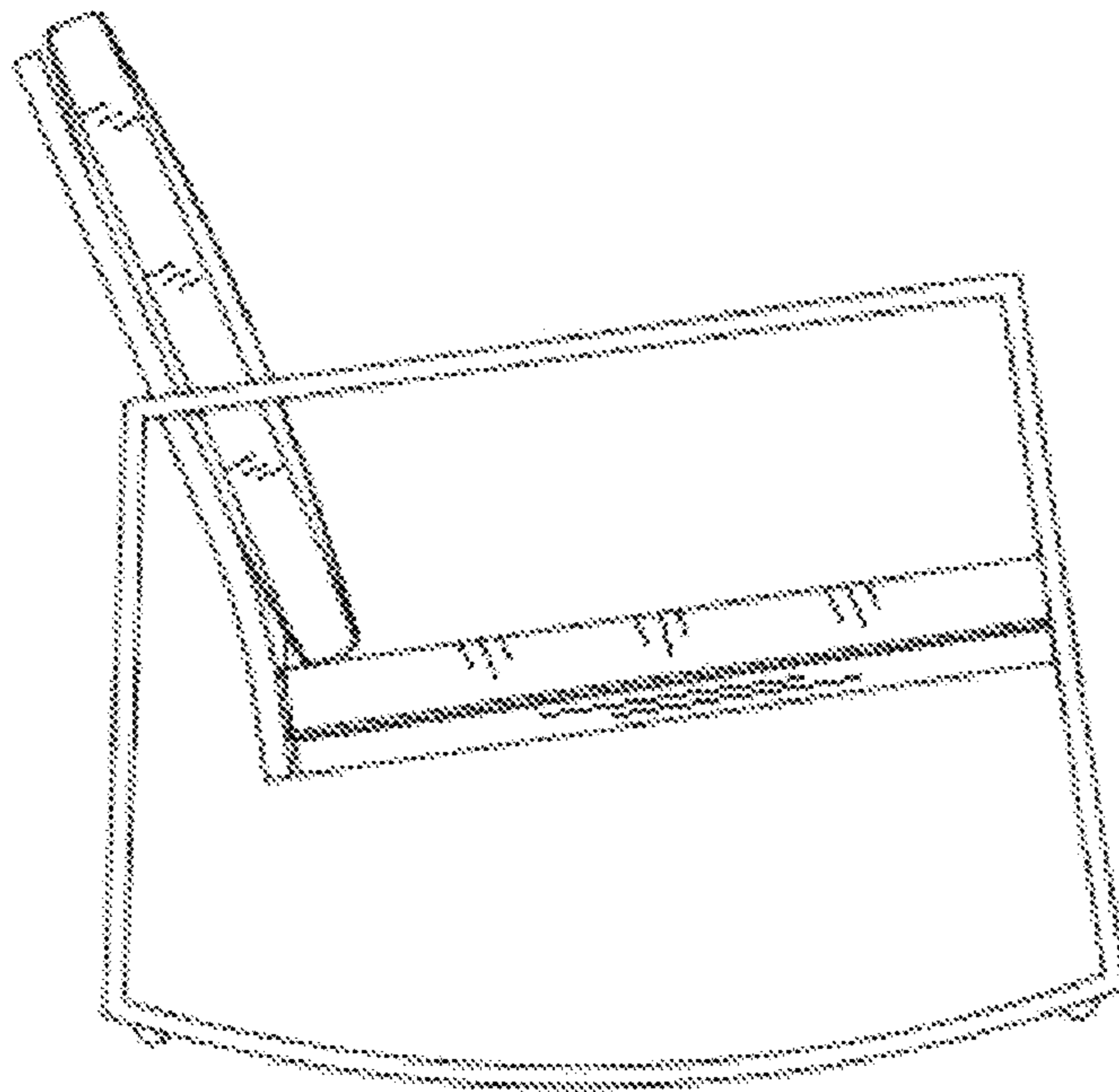


FIG. 3

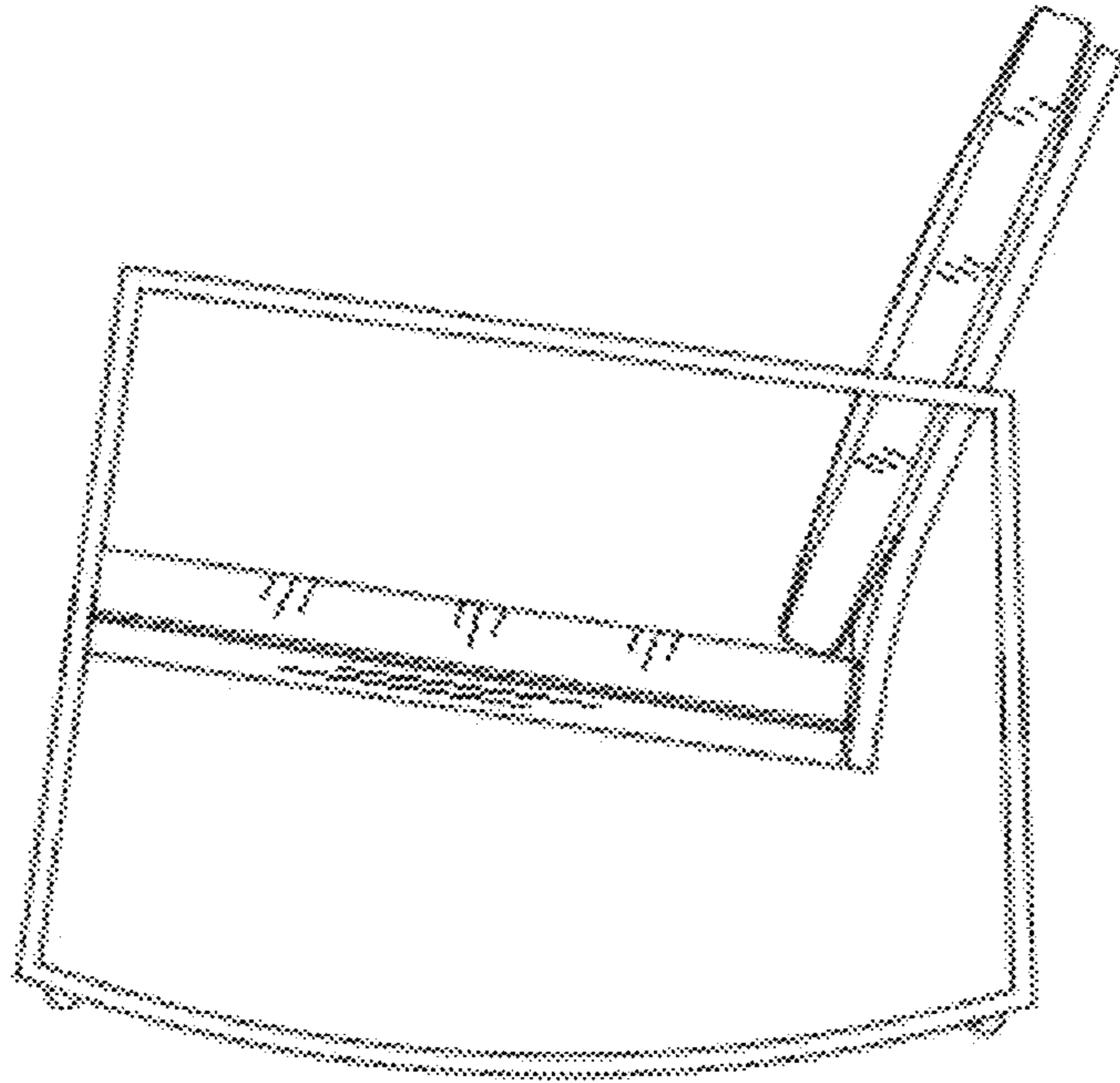


FIG. 4

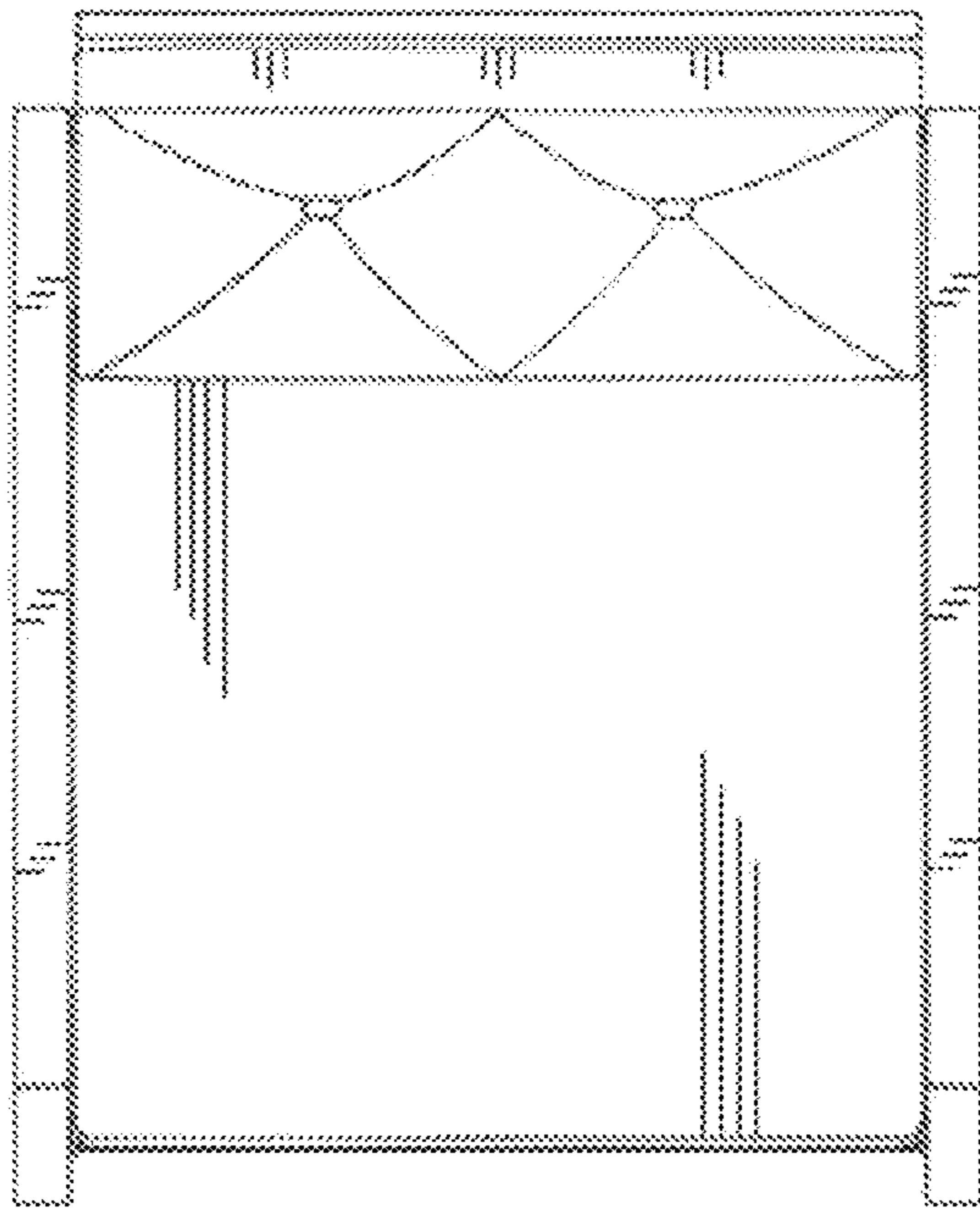


FIG. 5

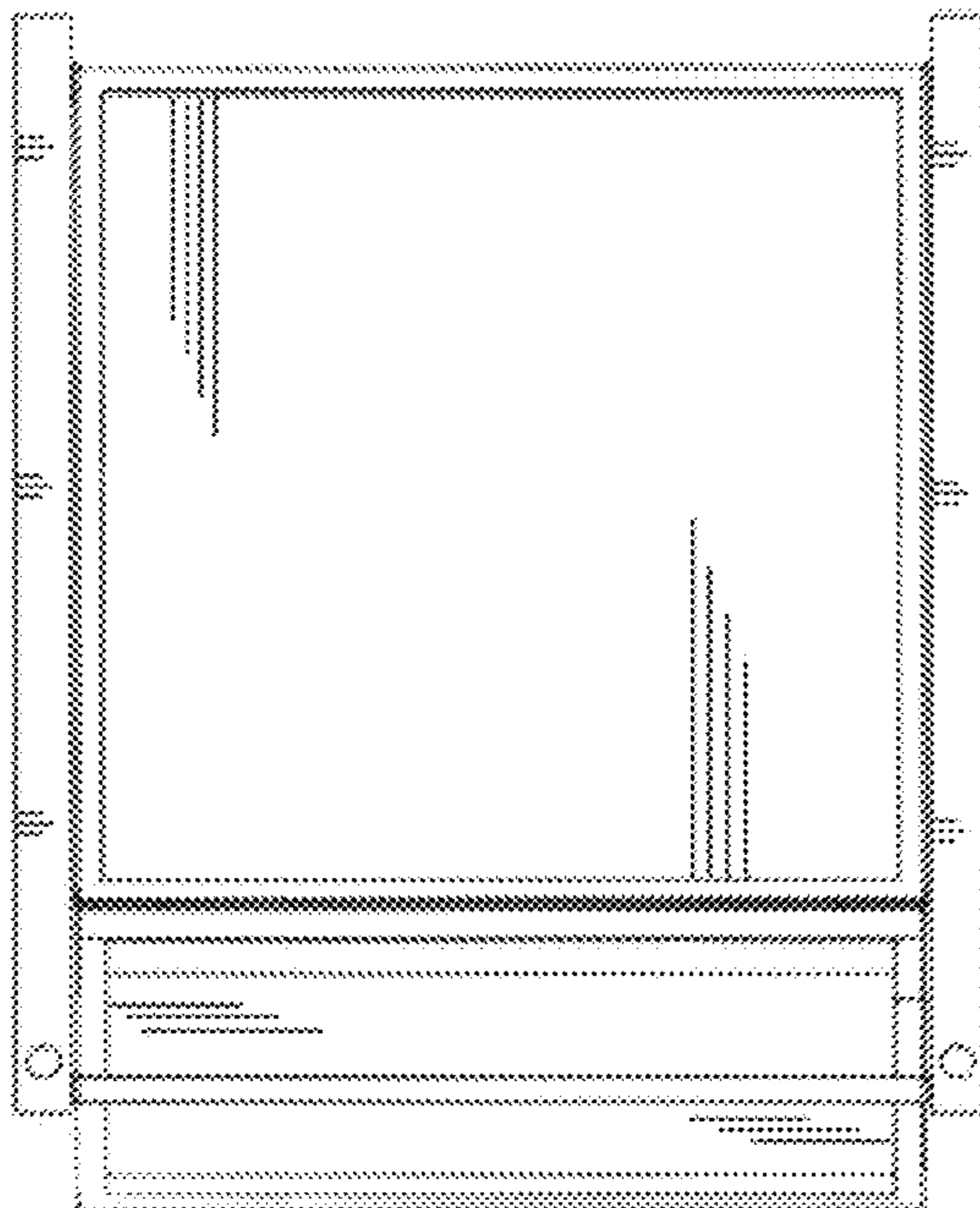


FIG. 6

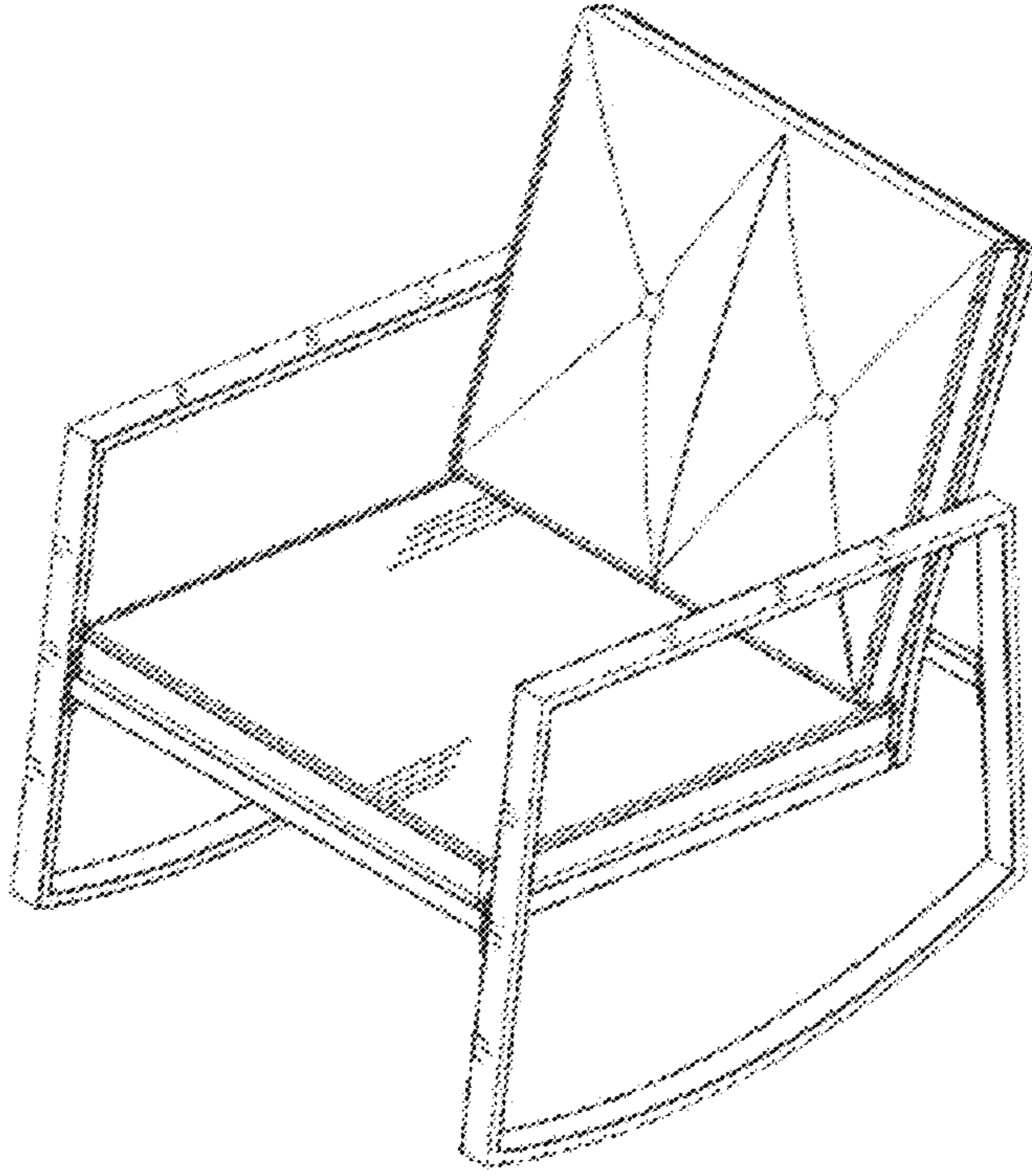


FIG. 7