



US00D885776S

(12) **United States Design Patent**
Killinger

(10) **Patent No.:** **US D885,776 S**

(45) **Date of Patent:** **** *Jun. 2, 2020**

(54) **CHAIR AND TABLE UNIT**

(71) Applicant: **Williams-Sonoma, Inc.**, San Francisco, CA (US)

(72) Inventor: **James Ian Killinger**, Brooklyn, NY (US)

(73) Assignee: **Williams-Sonoma, Inc.**, San Francisco, CA (US)

(*) Notice: This patent is subject to a terminal disclaimer.

(**) Term: **15 Years**

(21) Appl. No.: **29/650,873**

(22) Filed: **Jun. 11, 2018**

(51) **LOC (12) Cl.** **06-01**

(52) **U.S. Cl.**
USPC **D6/336**

(58) **Field of Classification Search**
USPC D6/334, 374, 375, 381, 335, 336
CPC A47C 17/00; A47C 17/02; A47C 17/86;
A47C 13/005; A47B 83/00; A47B 83/02;
A47B 83/023; A47B 83/04

See application file for complete search history.

(56) **References Cited**

U.S. PATENT DOCUMENTS

D181,845 S *	1/1958	Frey	D6/336
3,127,216 A *	3/1964	Clouse	A47C 7/282
				297/134
D202,339 S *	9/1965	McRee	D6/336
D237,026 S *	10/1975	Pohlheim	D6/336
D268,551 S *	4/1983	Raftery	D6/336
D342,166 S *	12/1993	Heidmann	D6/336
6,296,314 B1 *	10/2001	Klein	A47B 85/04
				297/119
D478,749 S *	8/2003	Gilbert	D6/374

D484,709 S *	1/2004	Cronk	D6/336
D655,936 S *	3/2012	Sempe	D6/381
D699,963 S *	2/2014	Hidalgo	D6/381
D722,237 S *	2/2015	Baraldi	D6/336
D814,823 S *	4/2018	Barrell	D6/381
D826,588 S *	8/2018	Barrell	D6/381
D859,022 S *	9/2019	Jones	D6/374

(Continued)

Primary Examiner — Cathron C Brooks

(74) *Attorney, Agent, or Firm* — Cook Alex Ltd.; R. Blake Johnston

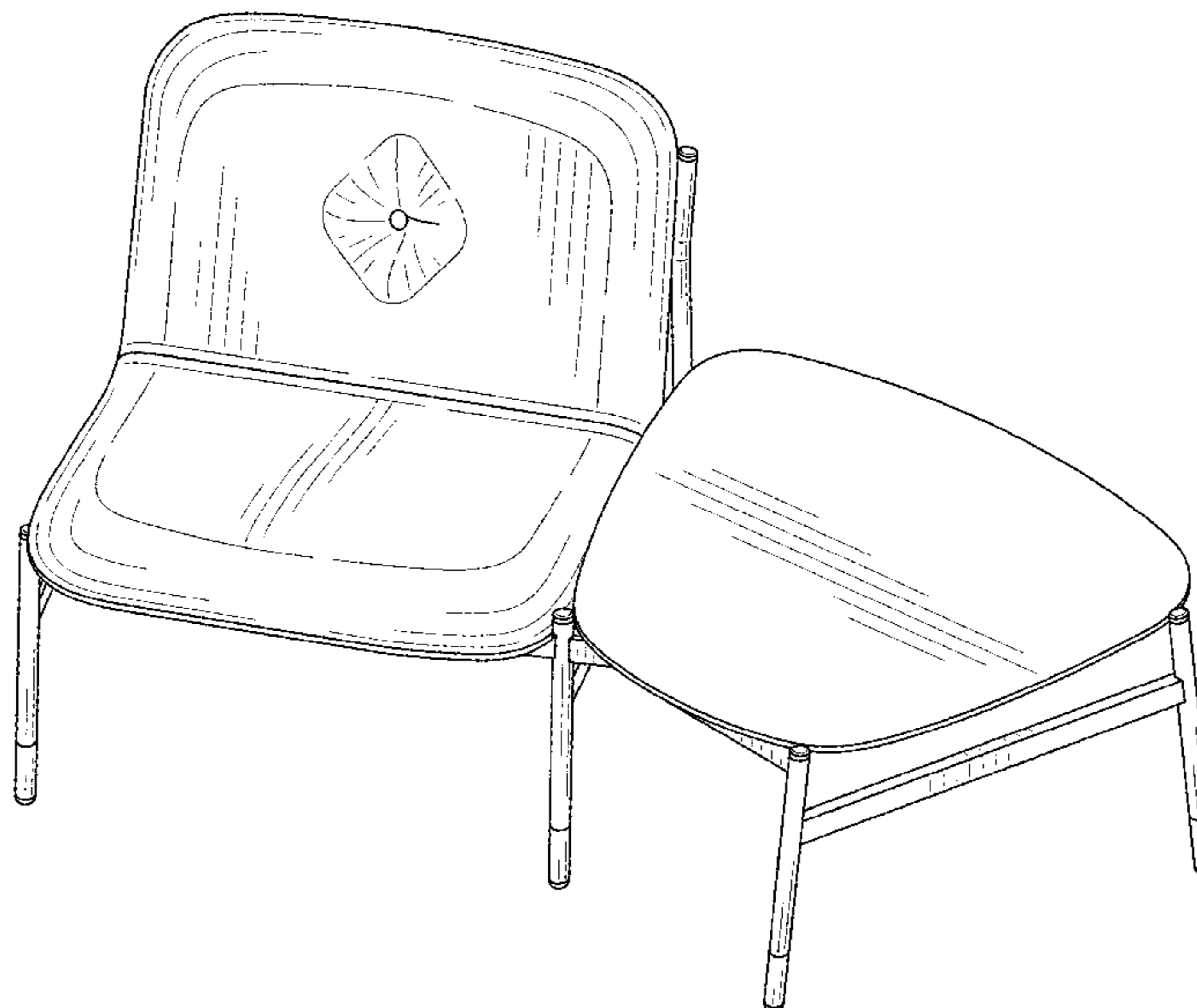
(57) **CLAIM**

The ornamental design for a chair and table unit, as shown and described.

DESCRIPTION

FIG. 1 is a perspective view of a first embodiment of the chair and table unit;
 FIG. 2 is a front elevational view thereof;
 FIG. 3 is a rear elevational view thereof;
 FIG. 4 is a right side elevational view thereof;
 FIG. 5 is a left side elevational view thereof;
 FIG. 6 is a top plan view thereof;
 FIG. 7 is a bottom plan view thereof;
 FIG. 8 is a perspective view of a second embodiment of the chair and table unit;
 FIG. 9 is a front elevational view thereof;
 FIG. 10 is a rear elevational view thereof;
 FIG. 11 is a right side elevational view thereof;
 FIG. 12 is a left side elevational view thereof;
 FIG. 13 is a top plan view thereof;
 FIG. 14 is a bottom plan view thereof;
 FIG. 15 is another perspective view of the design of FIG. 1, but shown with broken line subject matter; and,
 FIG. 16 is another perspective view of the design of FIG. 1, but shown with broken line subject matter.
 The broken lines shown in the drawings show environmental structure only and form no part of the claimed design.

1 Claim, 16 Drawing Sheets



(56)

References Cited

U.S. PATENT DOCUMENTS

D859,860 S * 9/2019 Iwasaki D6/336
2018/0358838 A1 * 12/2018 Ji H02J 7/0052

* cited by examiner

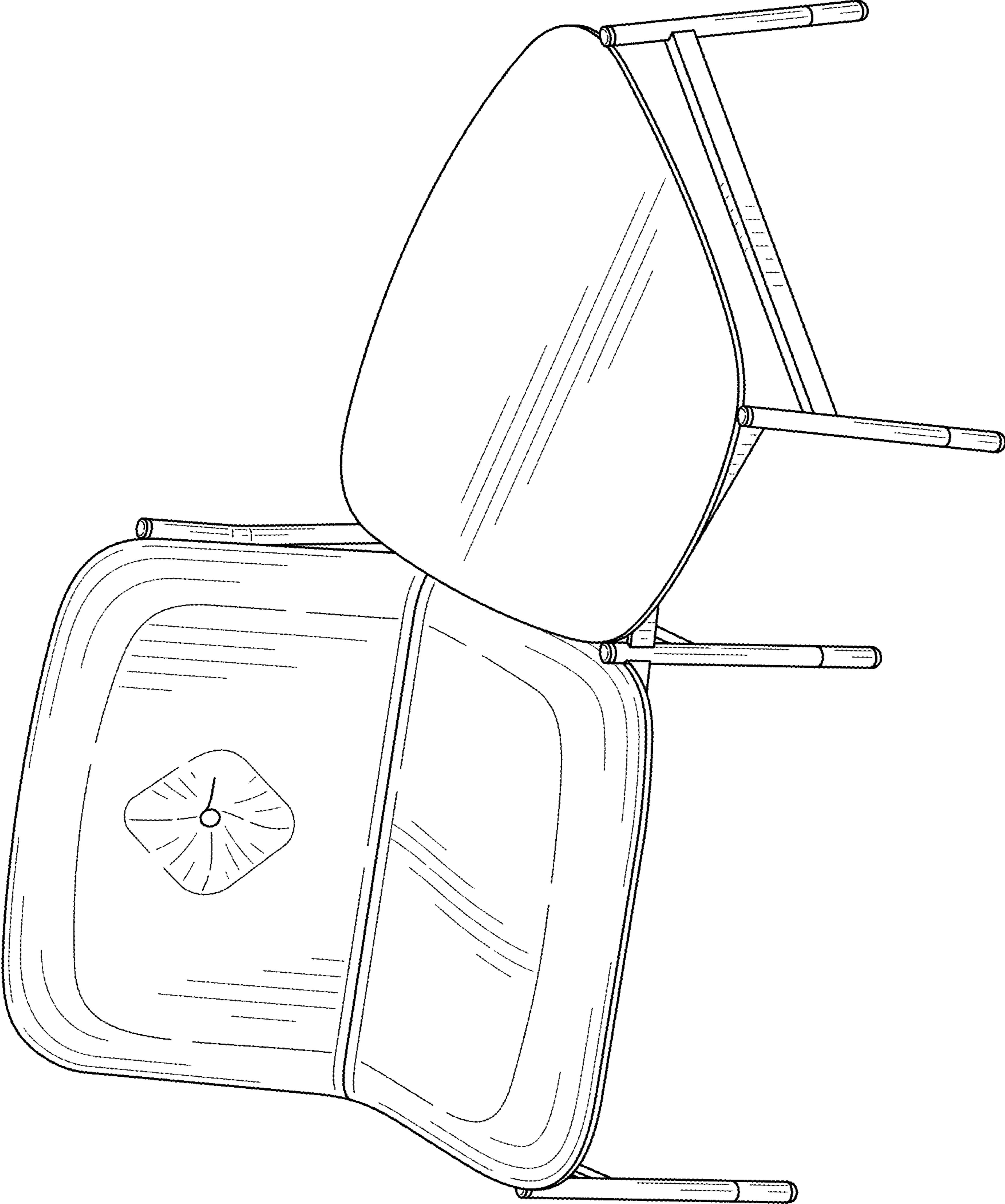


FIG. 1

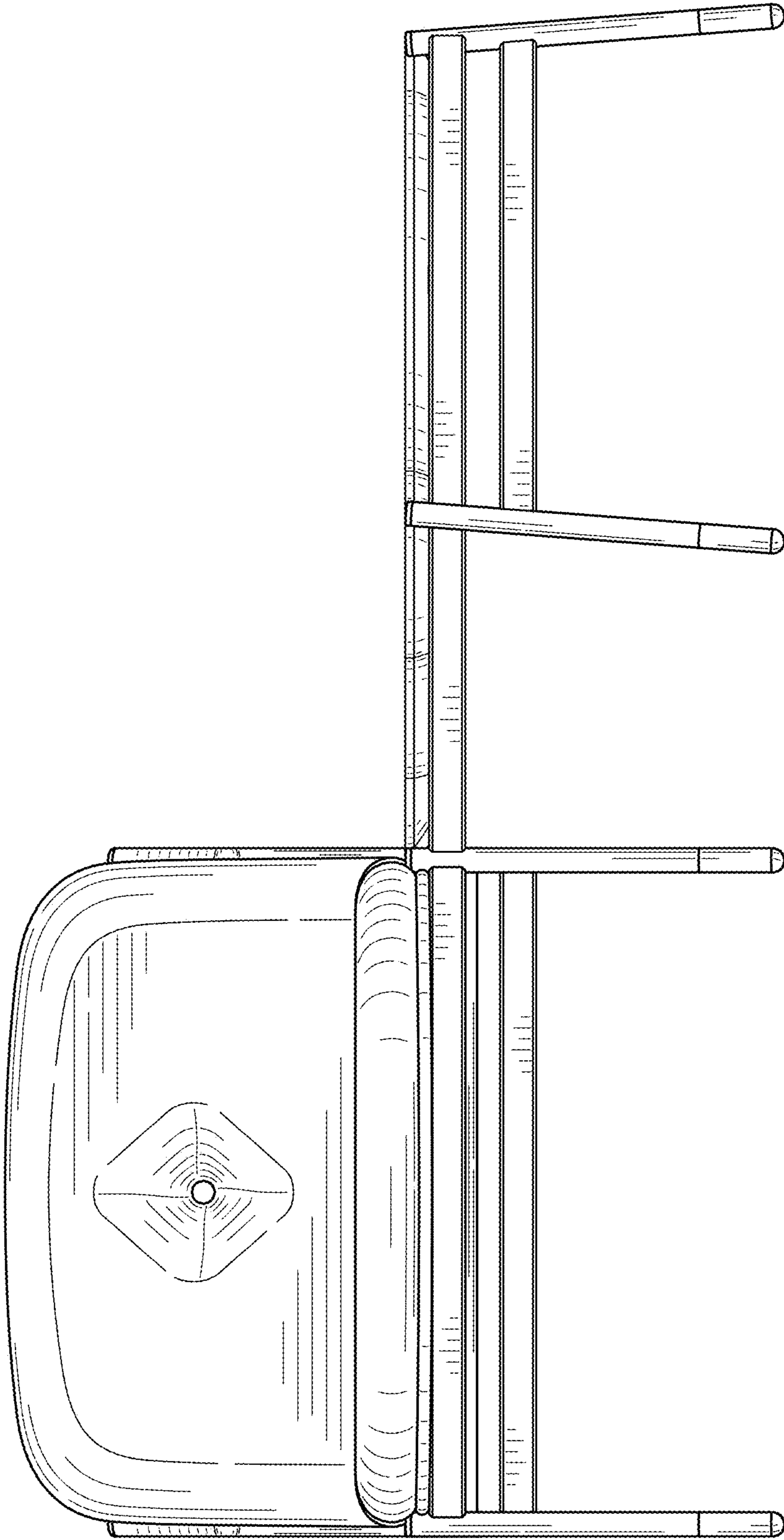


FIG. 2

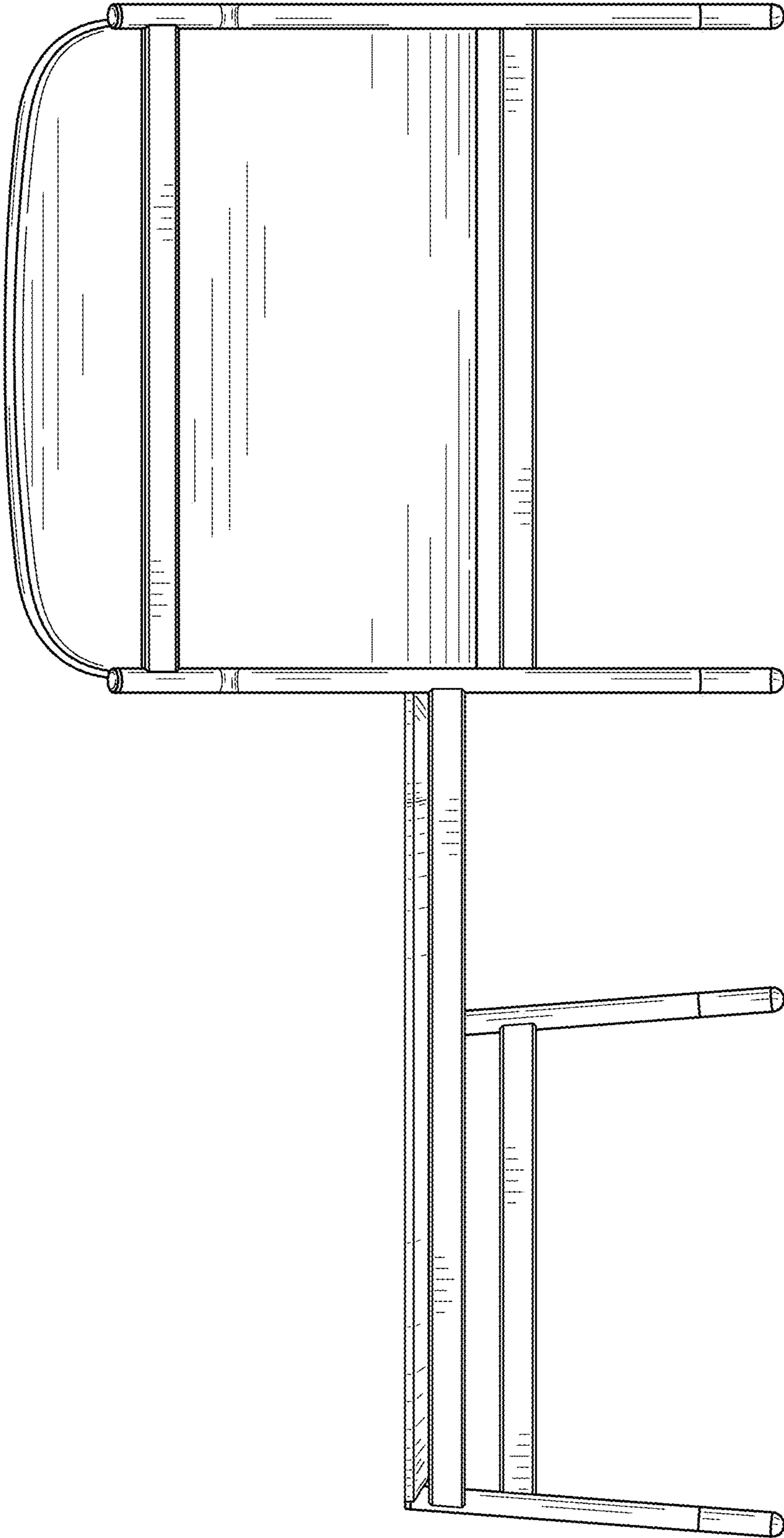


FIG. 3

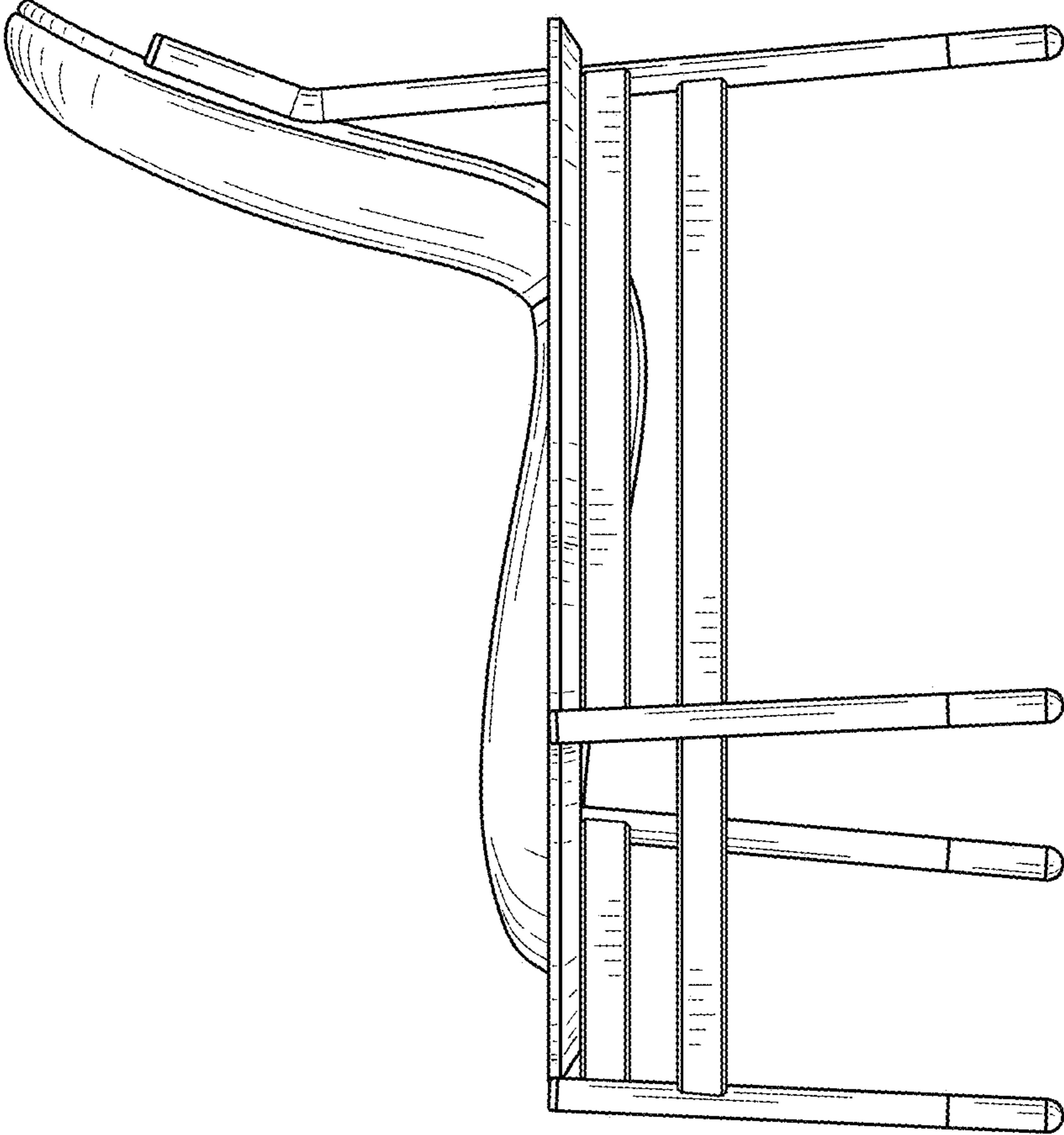


FIG. 4

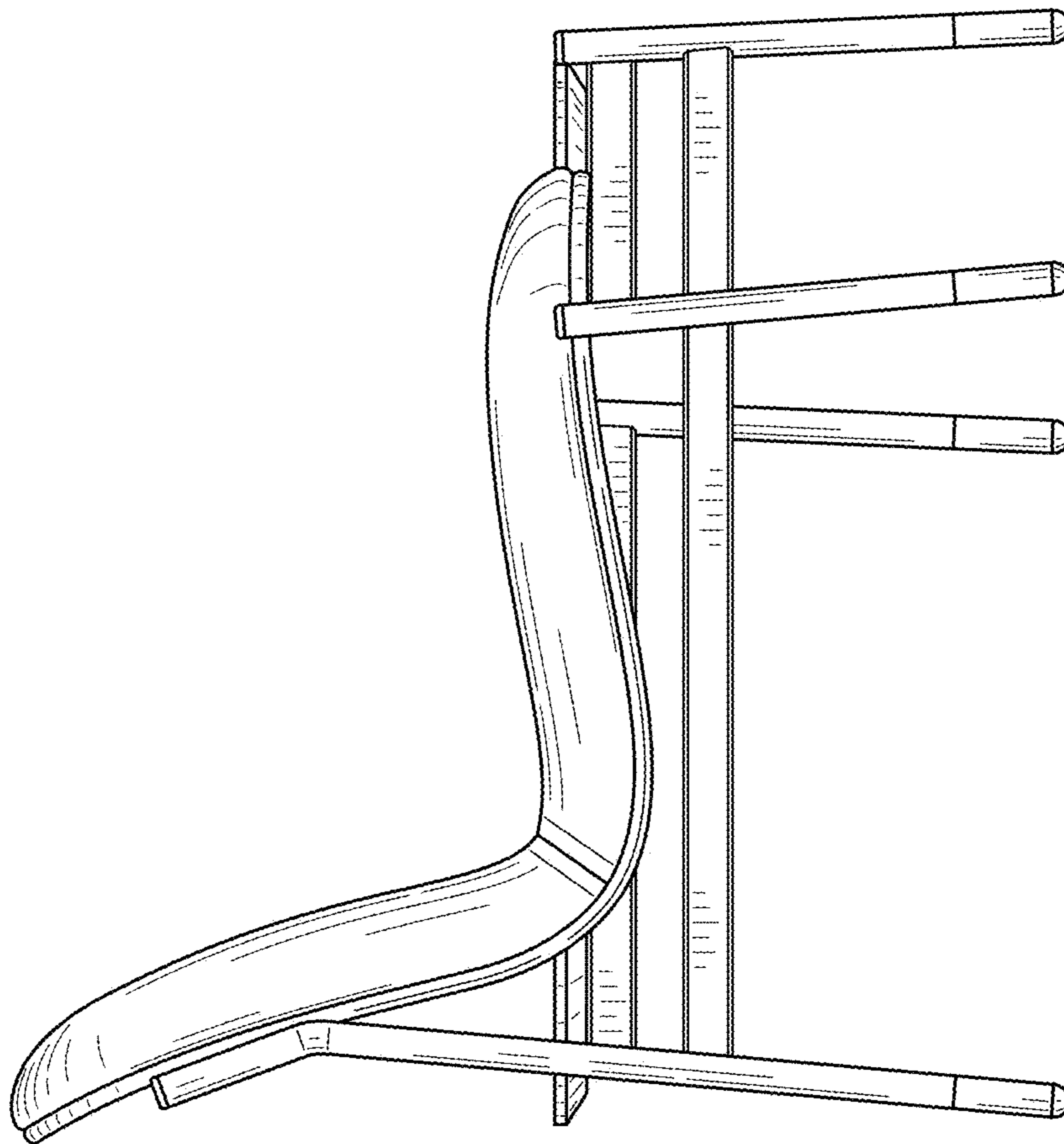


FIG. 5

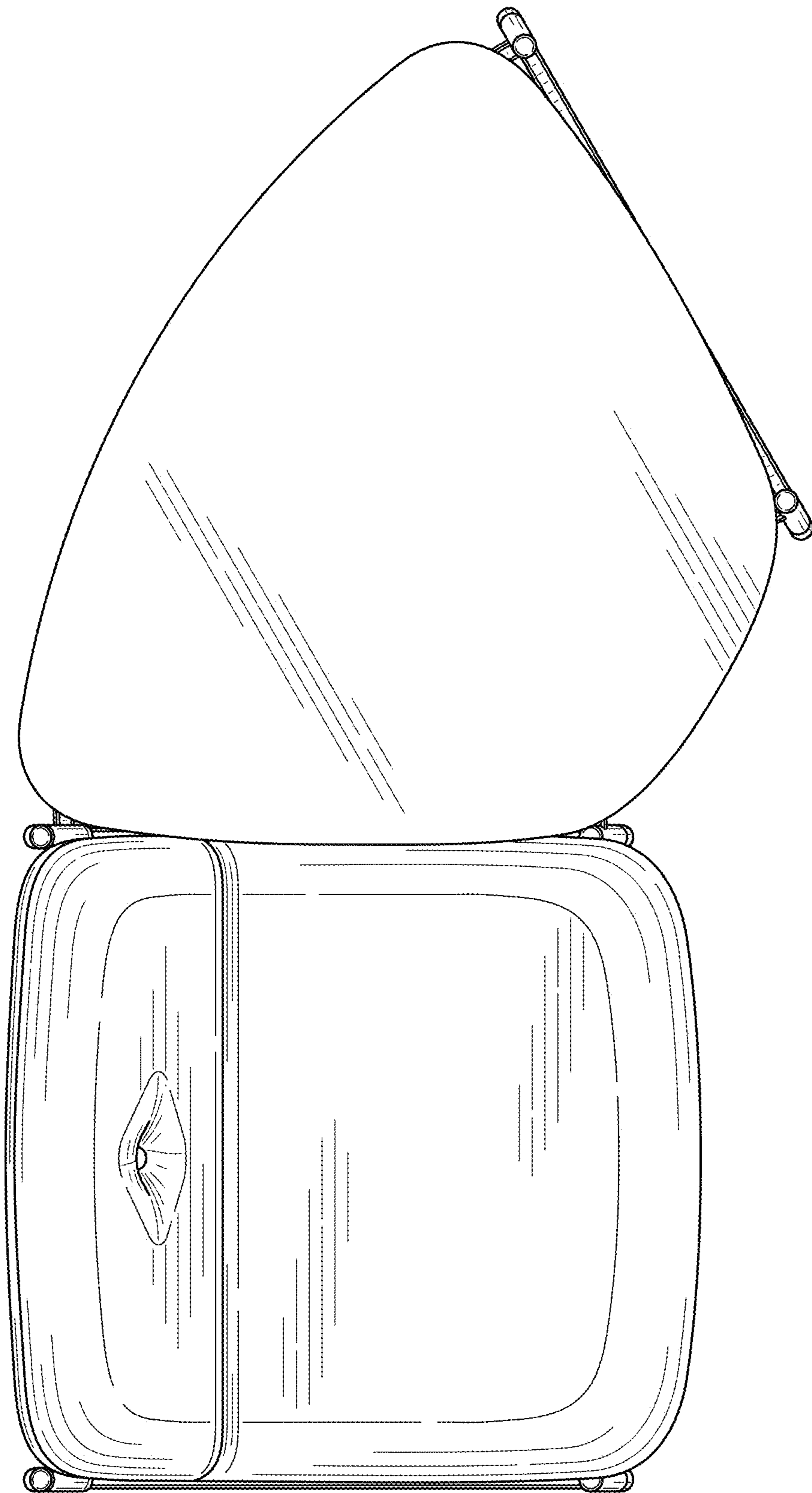


FIG. 6

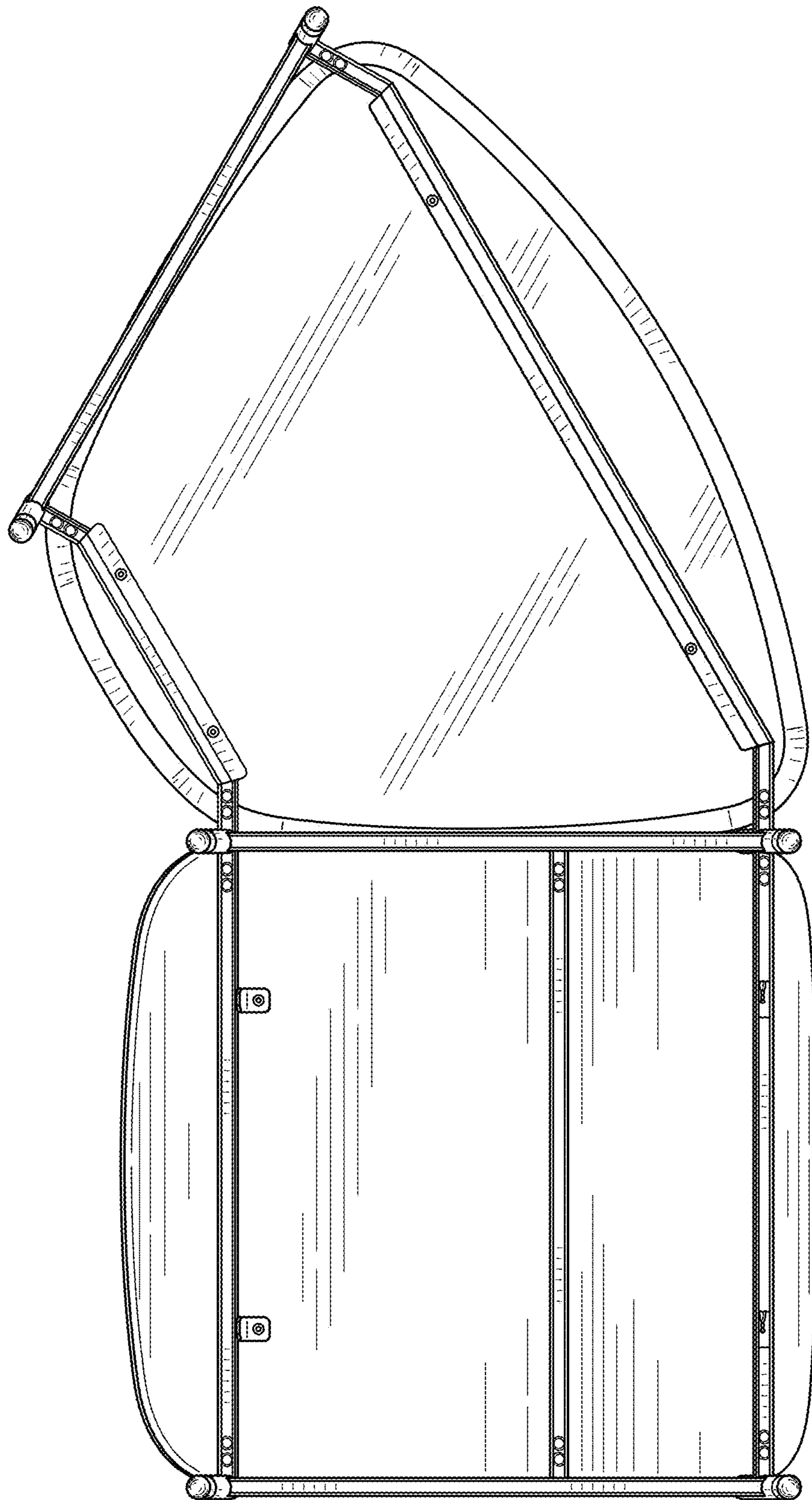


FIG. 7

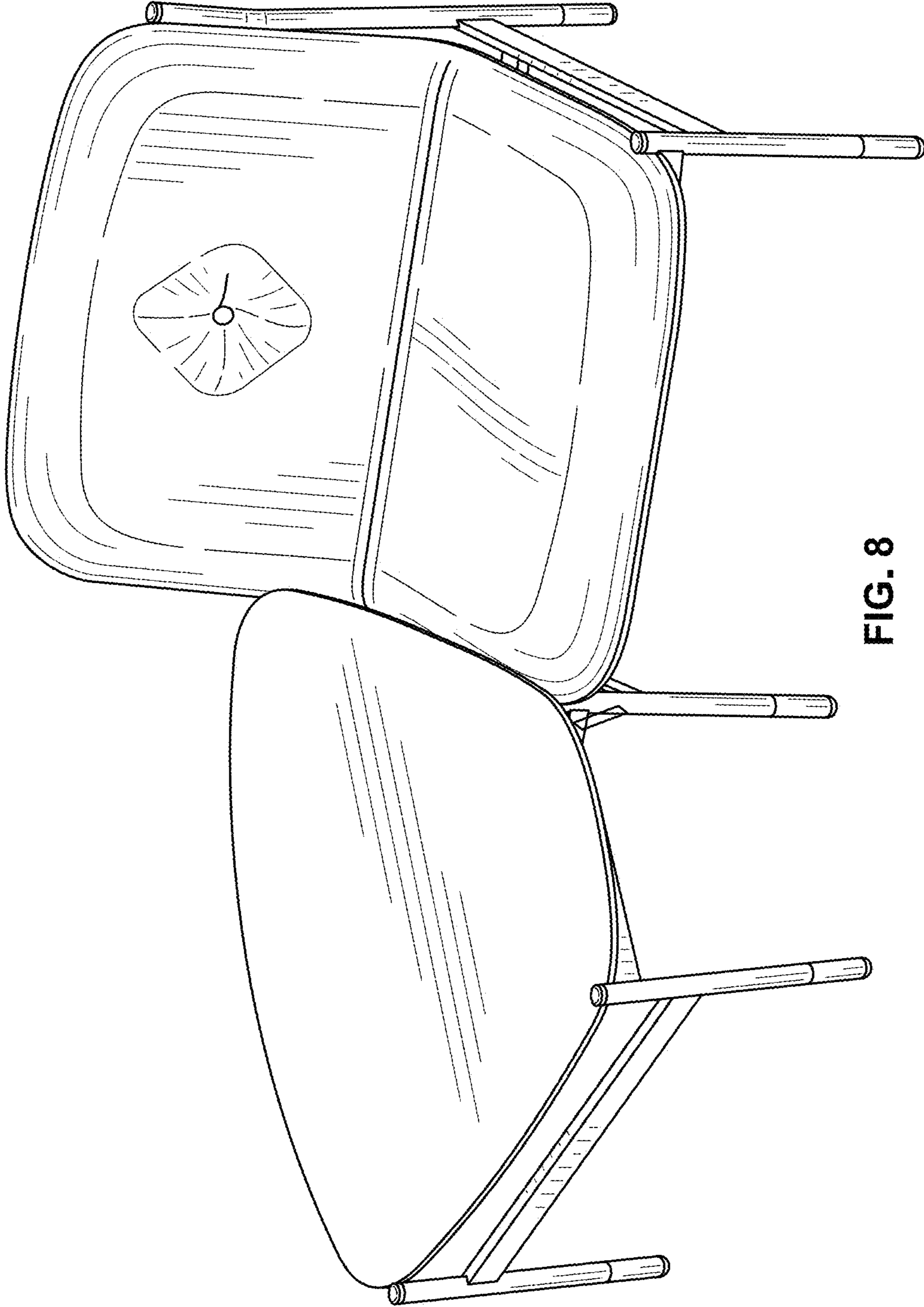


FIG. 8

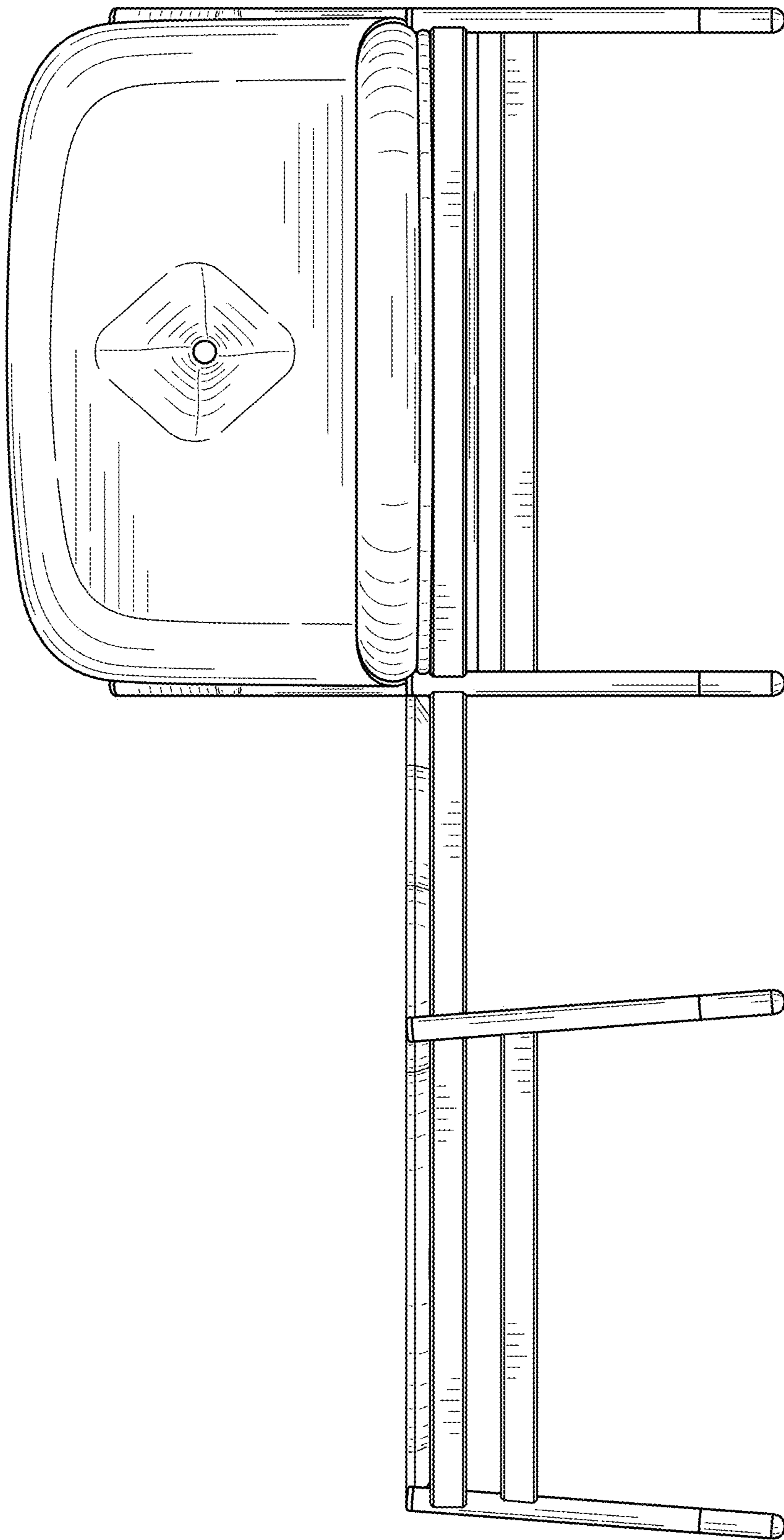


FIG. 9

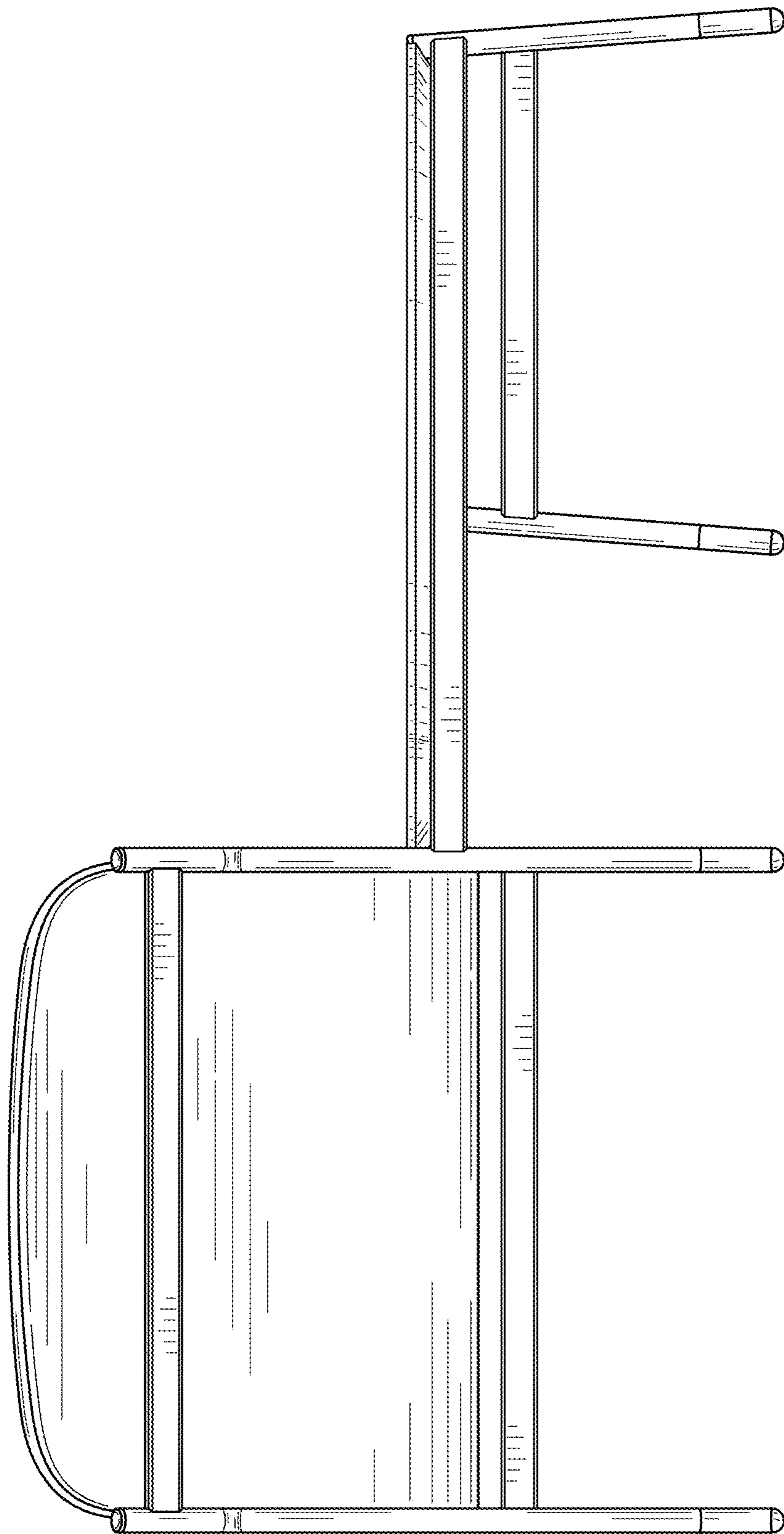


FIG. 10

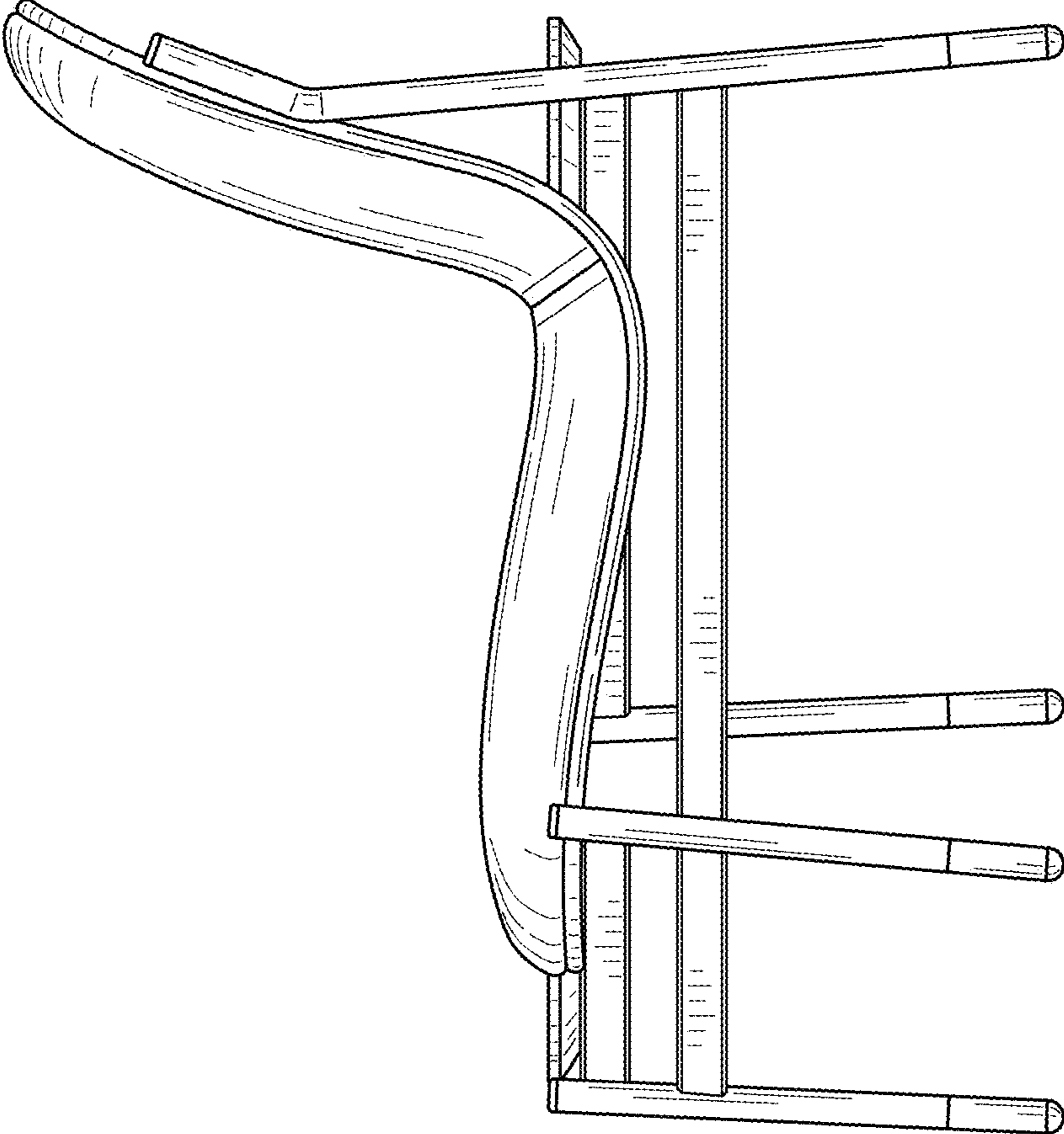


FIG. 11

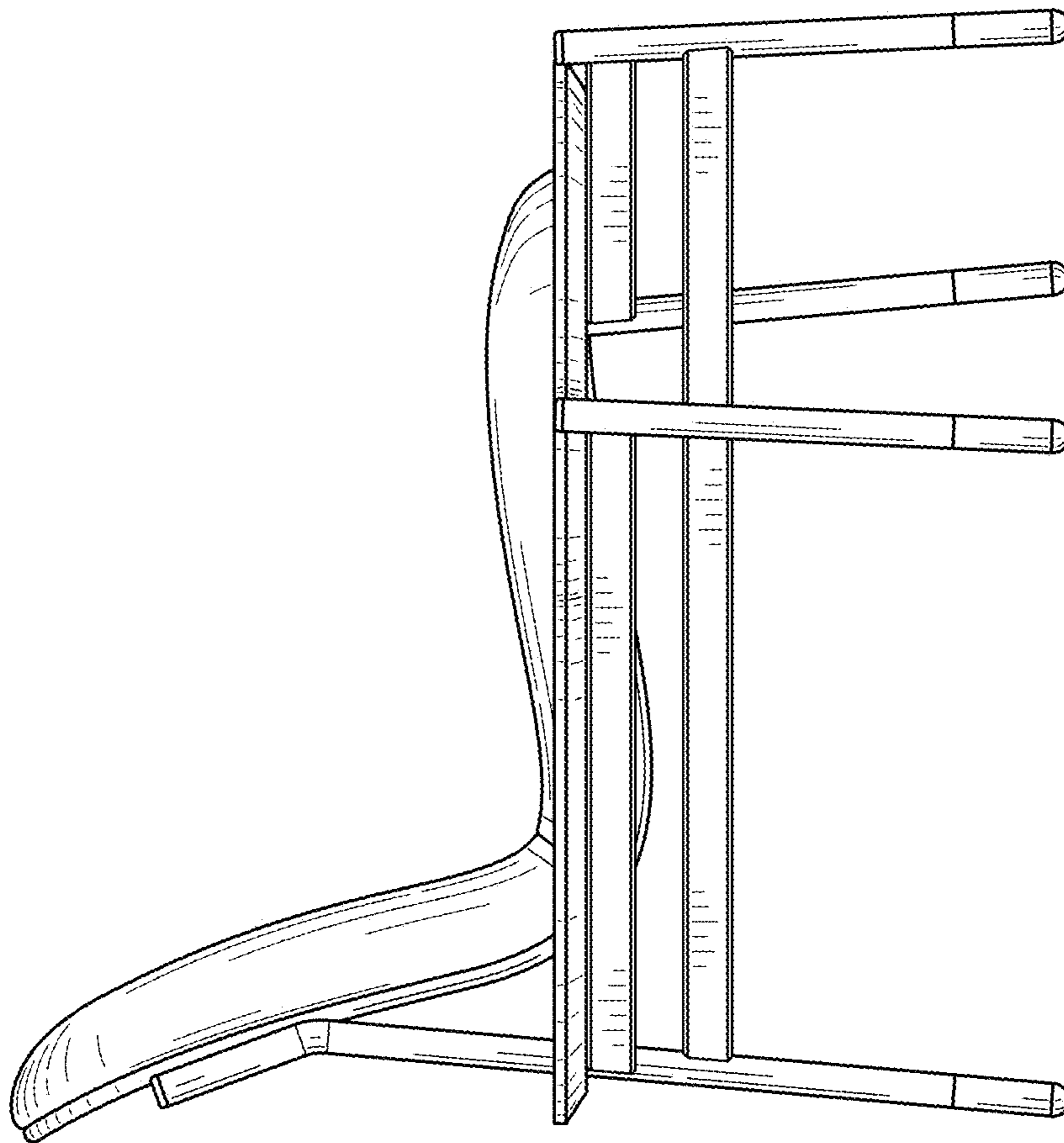


FIG. 12

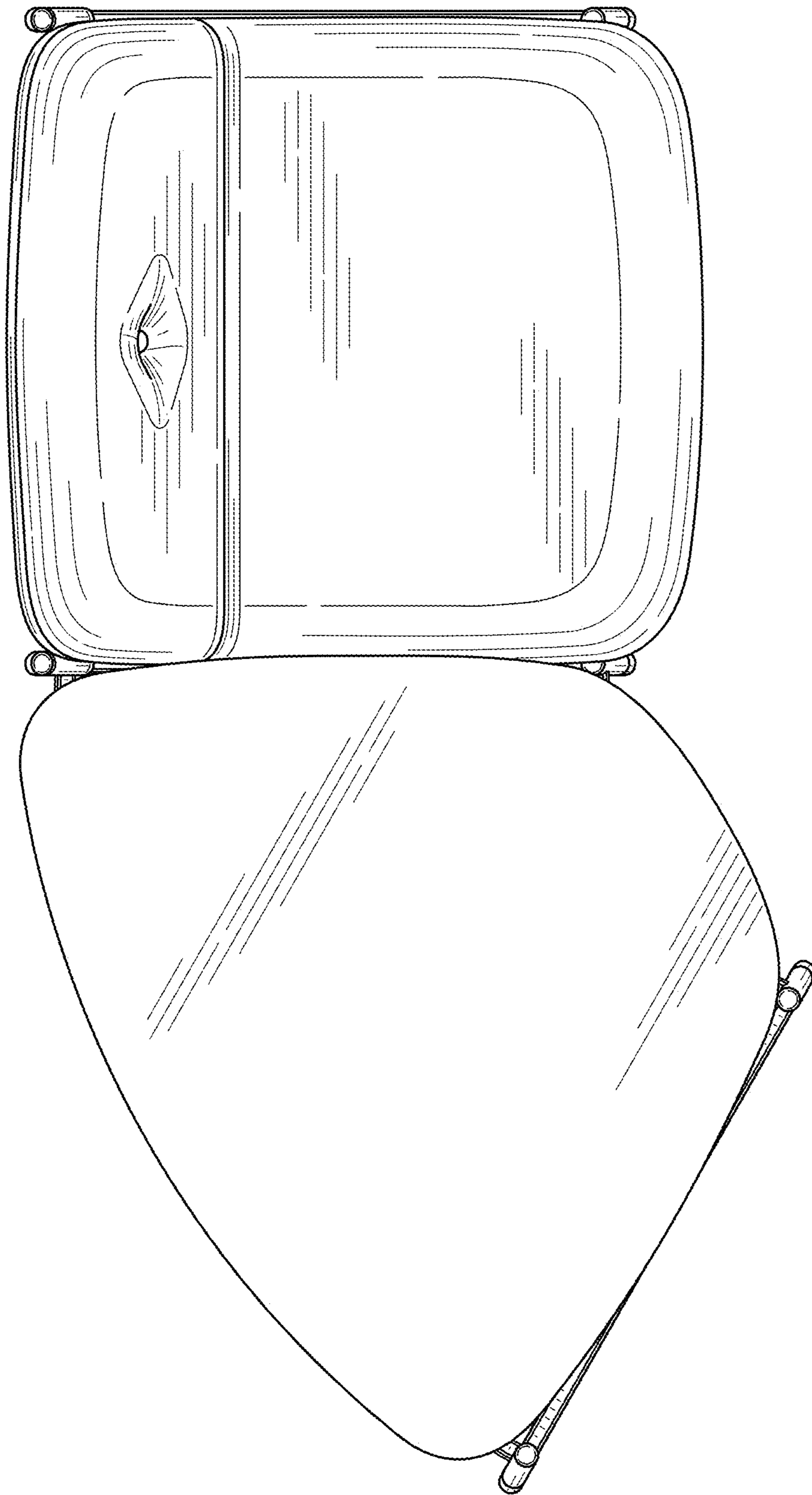


FIG. 13

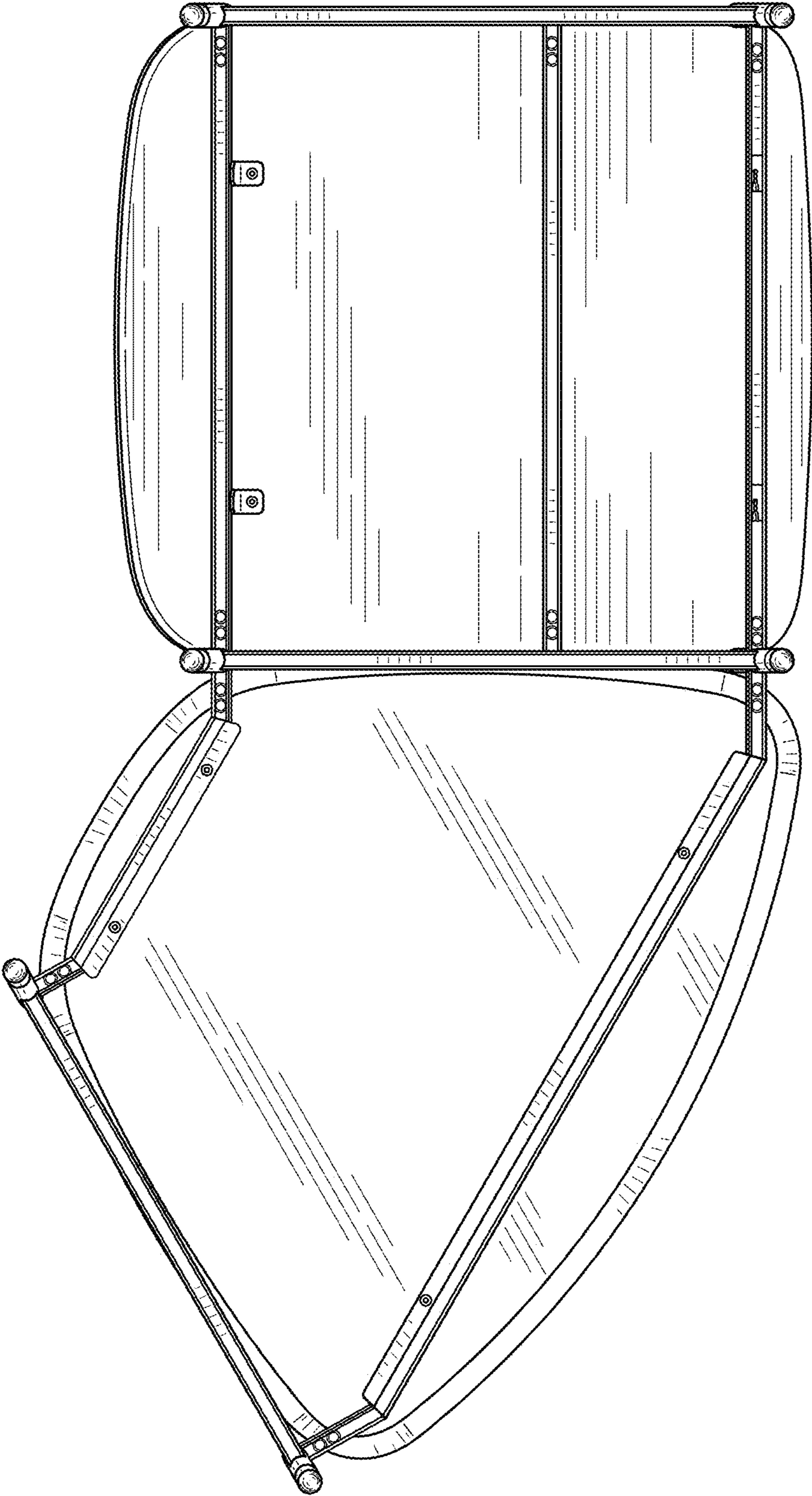


FIG. 14

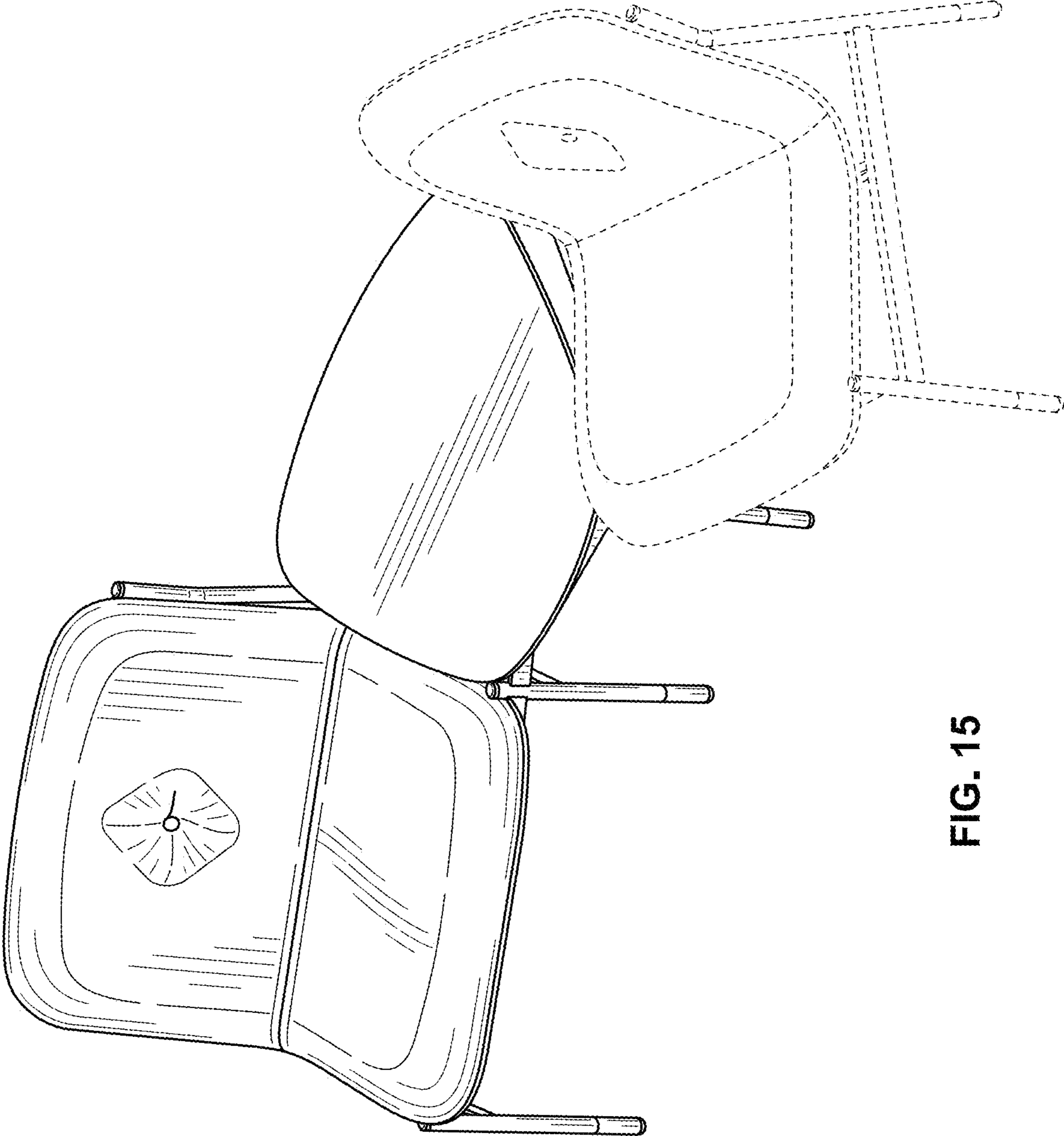


FIG. 15

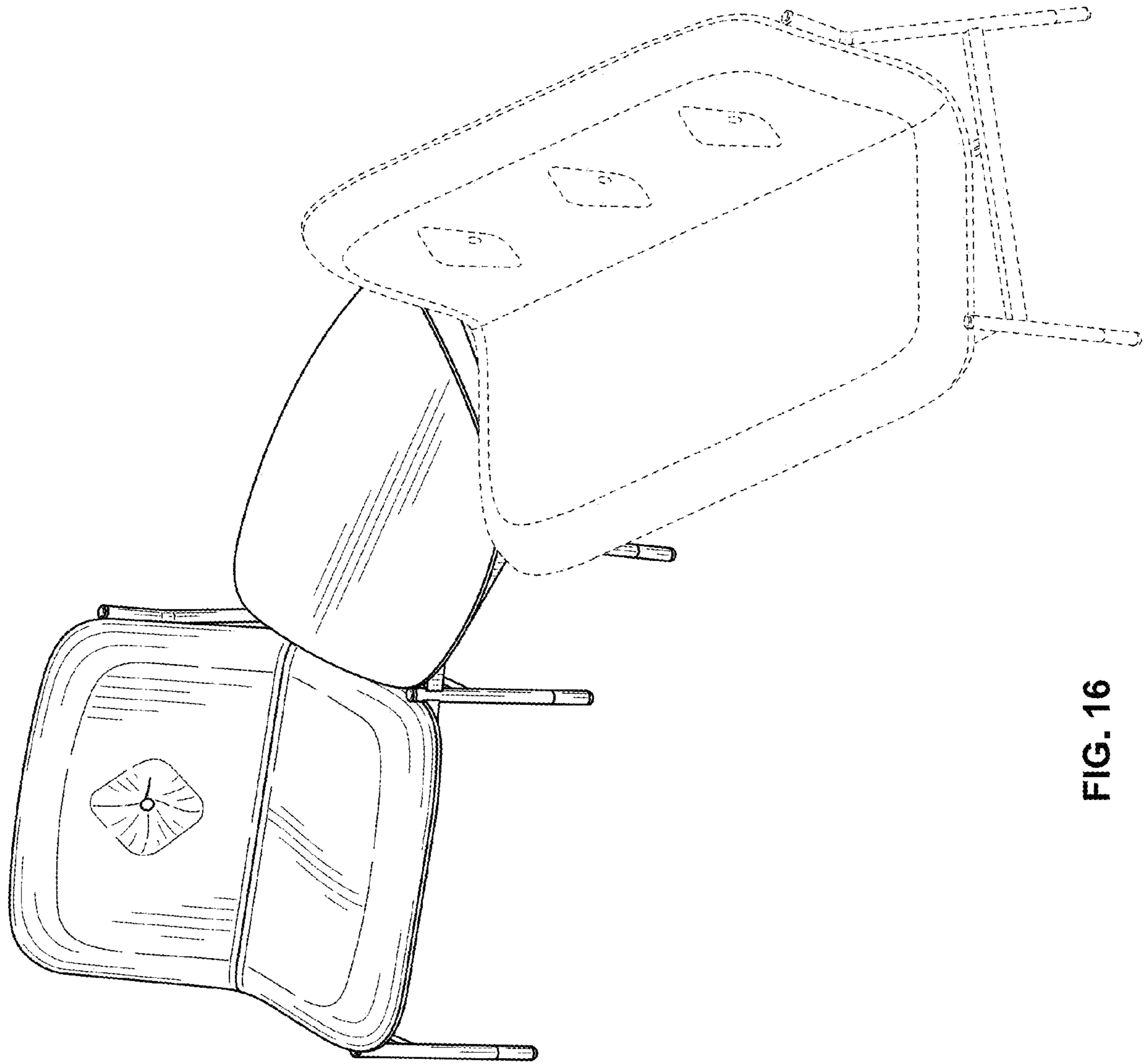


FIG. 16