



US00D885774S

(12) **United States Design Patent**
Bonneywell

(10) **Patent No.:** **US D885,774 S**
(45) **Date of Patent:** **** Jun. 2, 2020**

(54) **PRIVACY CHAIR**

(71) Applicant: **Boss Design Limited**, West Midlands
(GB)

(72) Inventor: **David Stephen Bonneywell**, West
Midlands (GB)

(73) Assignee: **Boss Design Limited**, West Midlands
(GB)

(**) Term: **15 Years**

(21) Appl. No.: **29/648,517**

(22) Filed: **May 22, 2018**

(30) **Foreign Application Priority Data**

Feb. 19, 2018 (EM) 004714483-0001
Feb. 19, 2018 (EM) 004714871-0001

(51) **LOC (12) Cl.** **06-01**

(52) **U.S. Cl.**
USPC **D6/334; D6/336**

(58) **Field of Classification Search**
USPC D6/335, 336, 342, 353, 643, 650, 716,
D6/716.1-716.8, 349, 355, 357, 367, 368,
D6/370, 374-381
CPC .. A47C 1/00; A47C 3/12; A47C 17/00; A47C
17/02
See application file for complete search history.

(56) **References Cited**

U.S. PATENT DOCUMENTS

D675,458 S * 2/2013 Martin D6/381
8,534,752 B2 * 9/2013 Martin A47B 13/08
297/184.15
D699,954 S * 2/2014 Hidalgo D6/335
D758,115 S * 6/2016 McKenna D6/717
D758,776 S * 6/2016 McKenna D6/717
D758,777 S * 6/2016 McKenna D6/717
9,622,570 B1 * 4/2017 Holdredge A47B 5/00
D787,206 S * 5/2017 Webb D6/335
D789,104 S * 6/2017 Webb D6/336

D807,655 S * 1/2018 Webb D6/335
D840,700 S * 2/2019 Gyllang D6/335
D855,344 S * 8/2019 Ho D6/369
D869,178 S * 12/2019 Vaughan D6/335

FOREIGN PATENT DOCUMENTS

GB 005947736-0002 * 1/2019

OTHER PUBLICATIONS

Mango chair [online], [site visited Apr. 9, 2020]. Available from internet, URL: <<https://www.bossdesign.com/app/uploads/2018/05/Mango-PDF-Brochure.pdf>> (Year: 2020).*

* cited by examiner

Primary Examiner — Cynthia Ramirez

Assistant Examiner — Xavier Marti-Santos

(74) *Attorney, Agent, or Firm* — Levenfeld Pearlstein,
LLC

(57) **CLAIM**

The ornamental design for a privacy chair, as shown and described.

DESCRIPTION

FIG. 1 is a top, front, right-hand side perspective view of a privacy chair showing my new design;
FIG. 2 is a front view thereof;
FIG. 3 is a rear view thereof;
FIG. 4 is a side view thereof as seen from the right-hand side of FIG. 2;
FIG. 5 is a side view thereof as seen from the left-hand side of FIG. 2;
FIG. 6 is a top view thereof;
FIG. 7 is a bottom view thereof; and,
FIG. 8 is a top, rear, left-hand side perspective view.
The broken lines in the figures are for the purpose of illustrating portions of the PRIVACY CHAIR, which form no part of the claimed design.

1 Claim, 8 Drawing Sheets

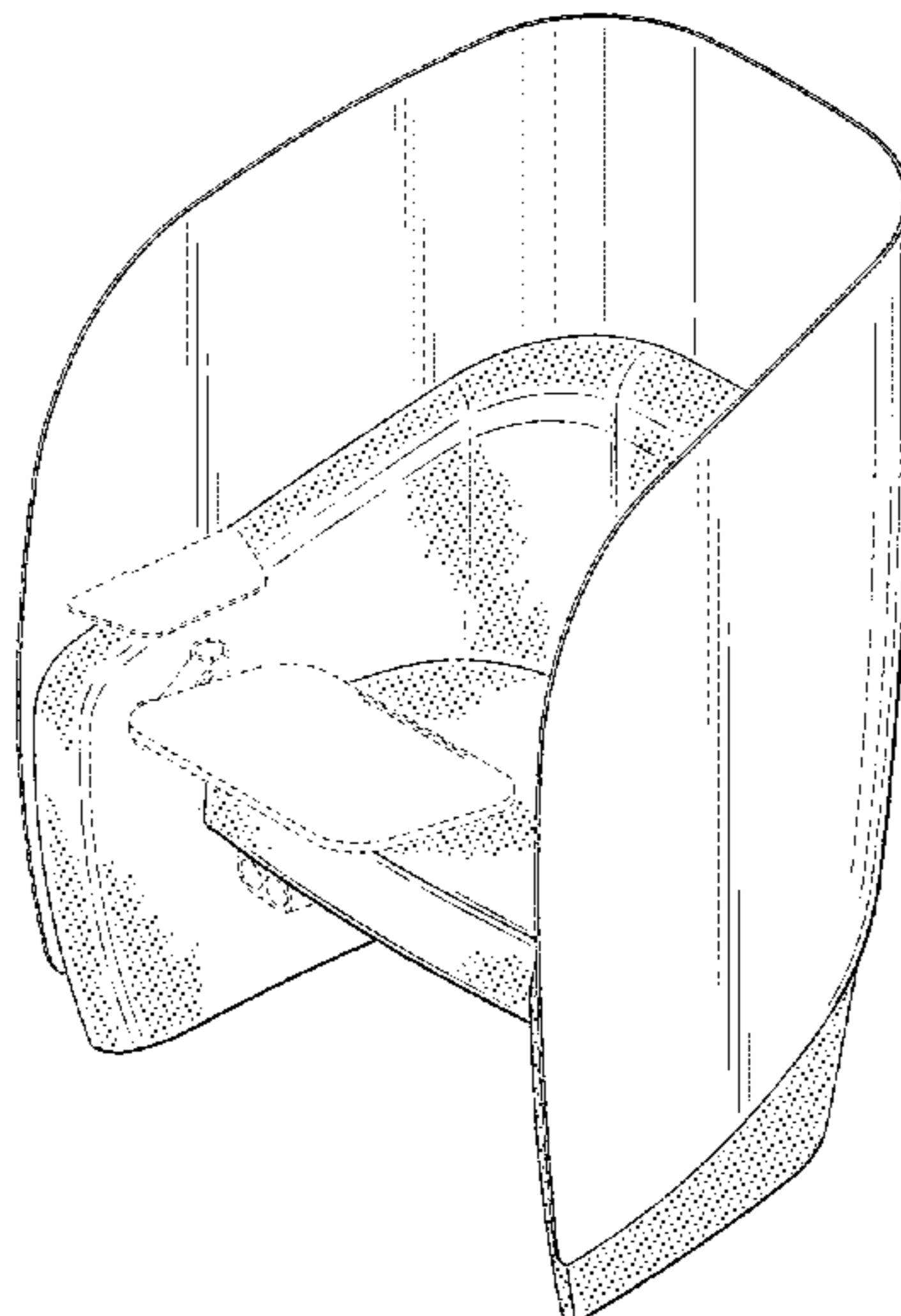


Fig. 1

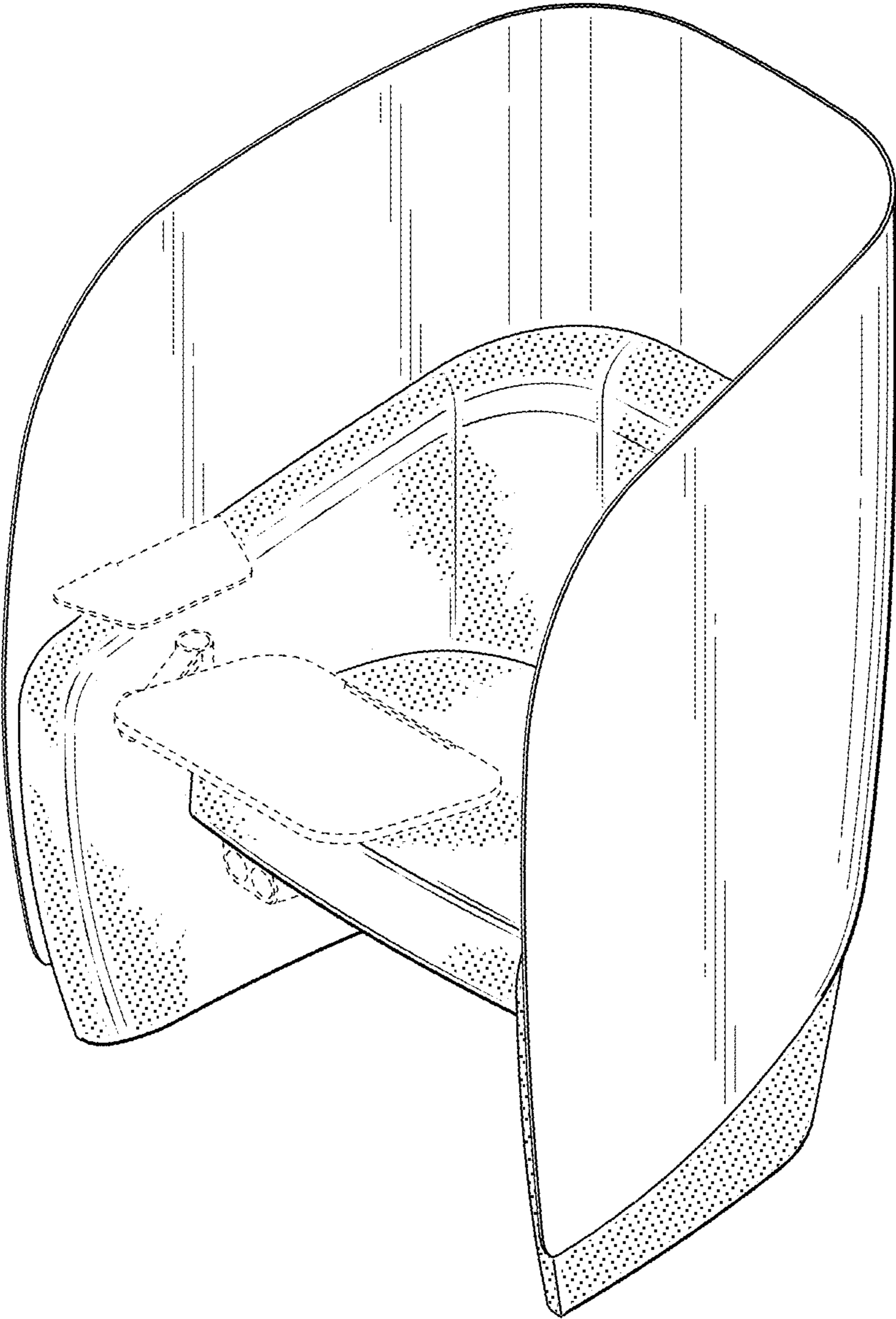


Fig. 2

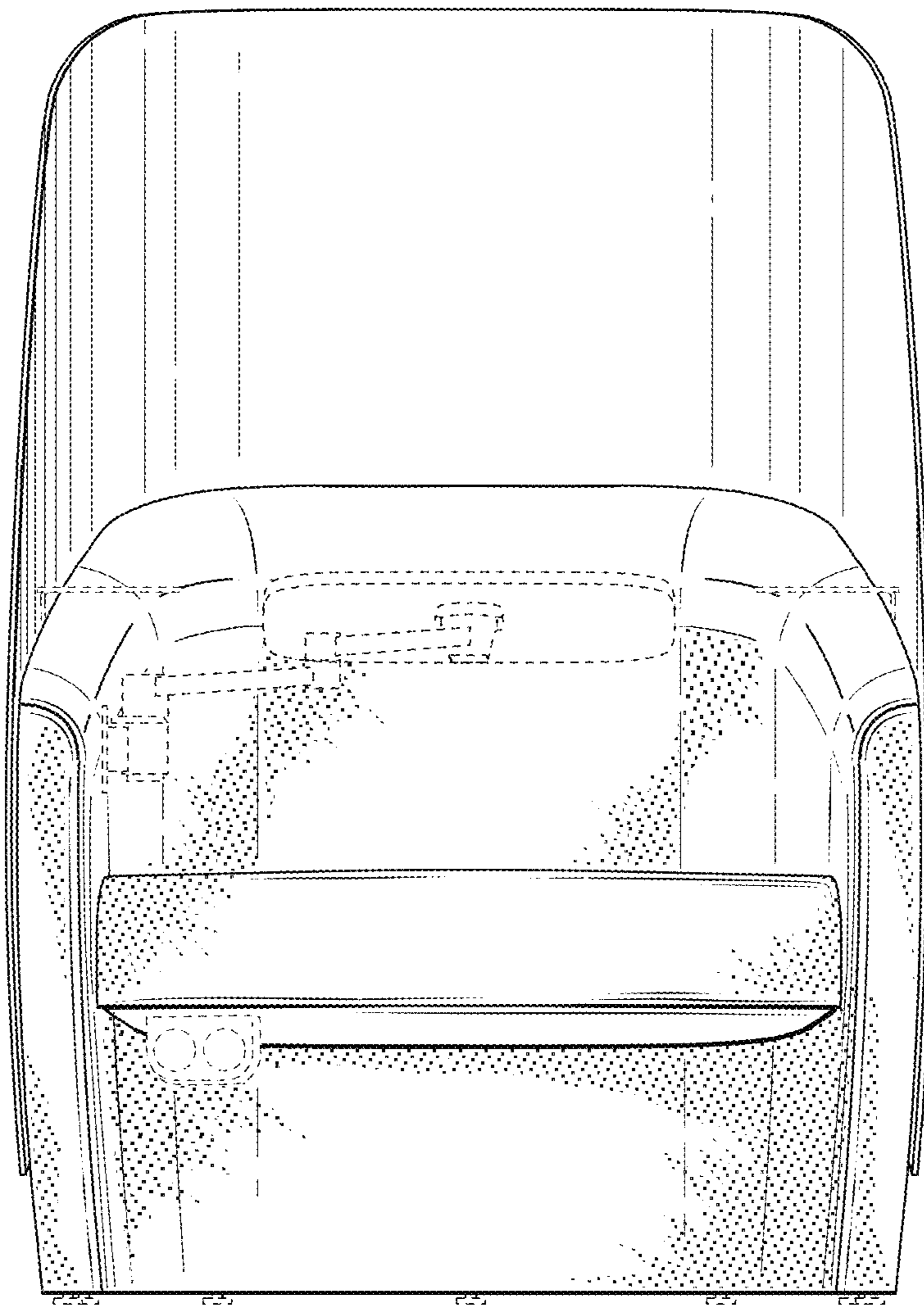


Fig. 3

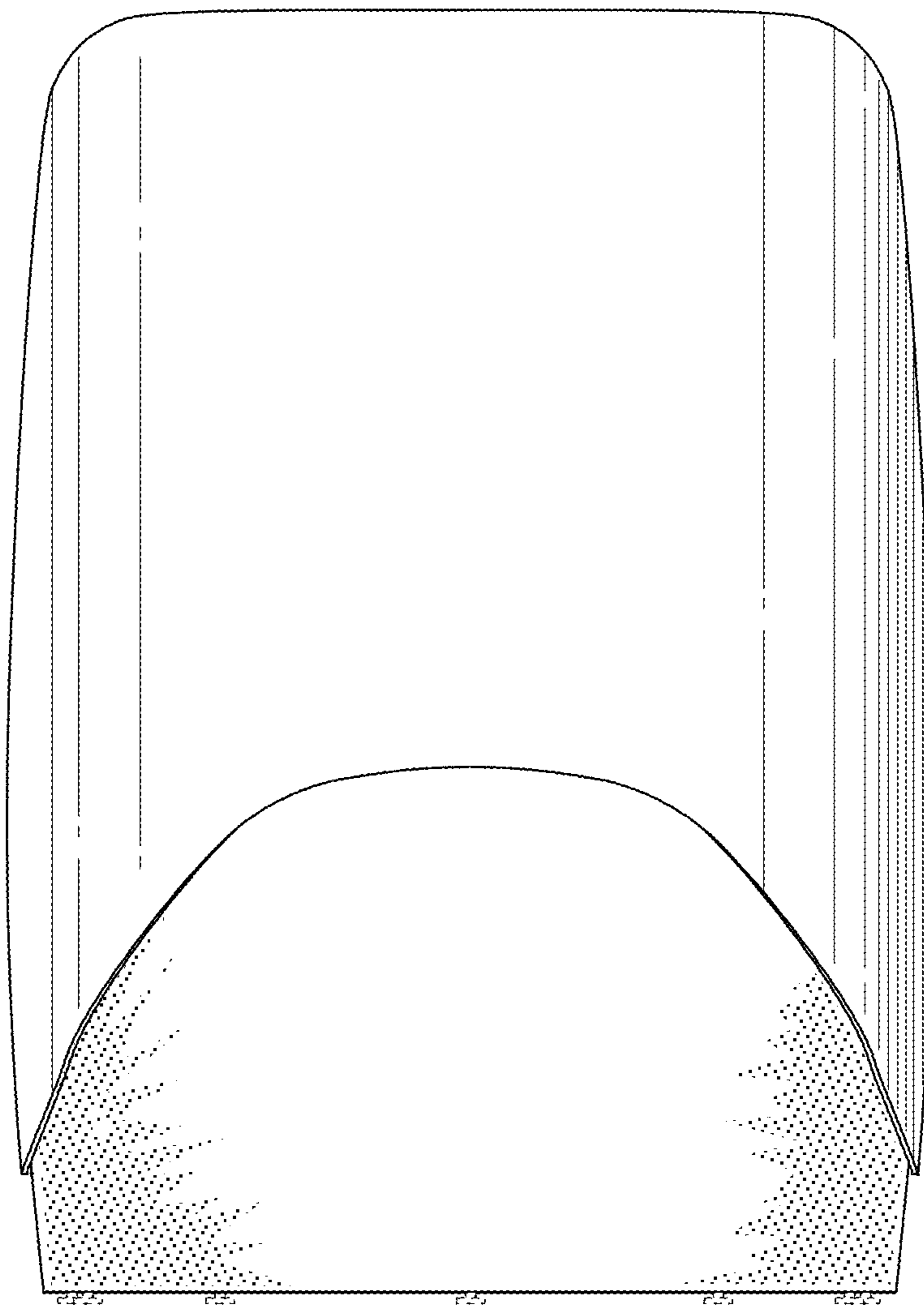


Fig. 4

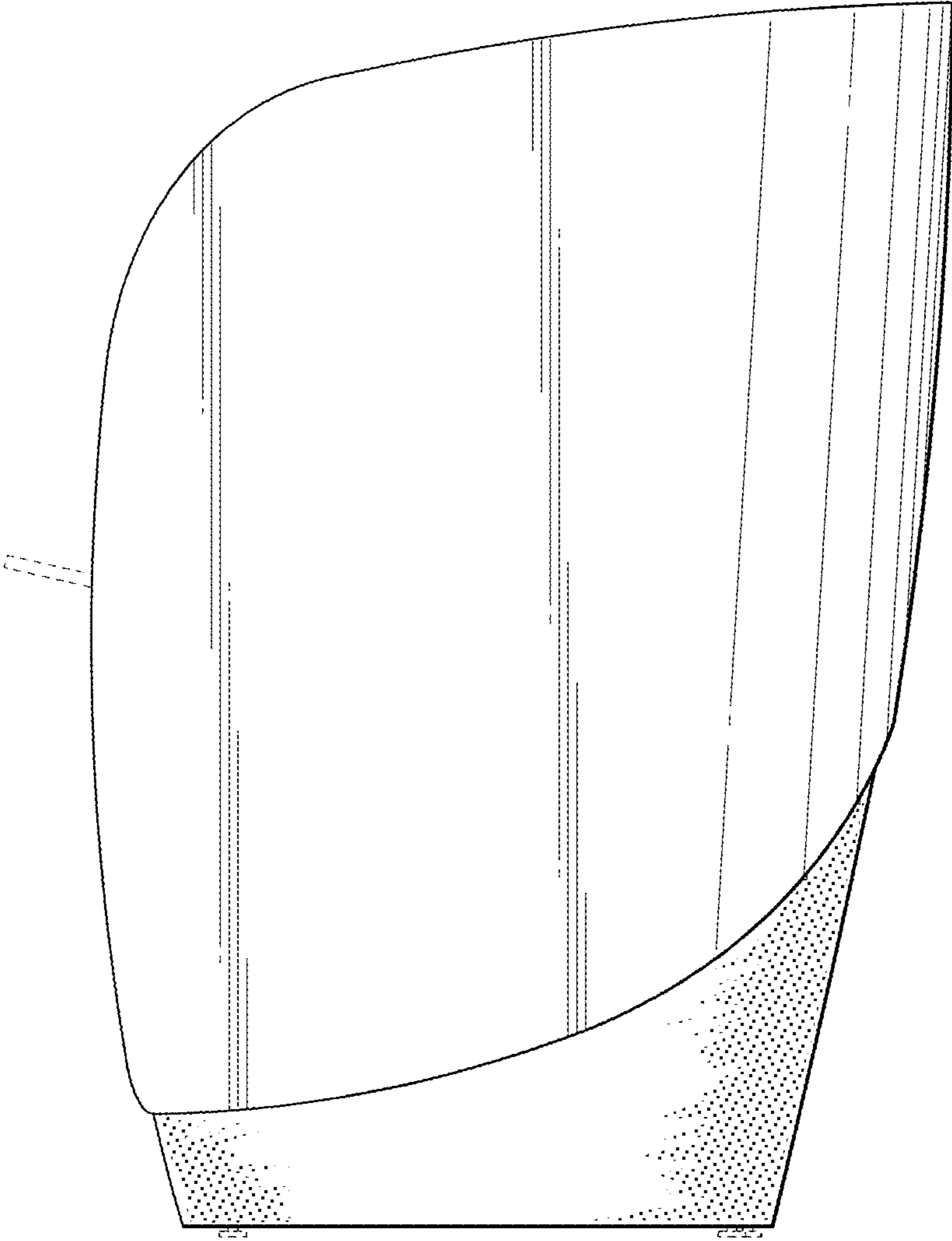


Fig. 5

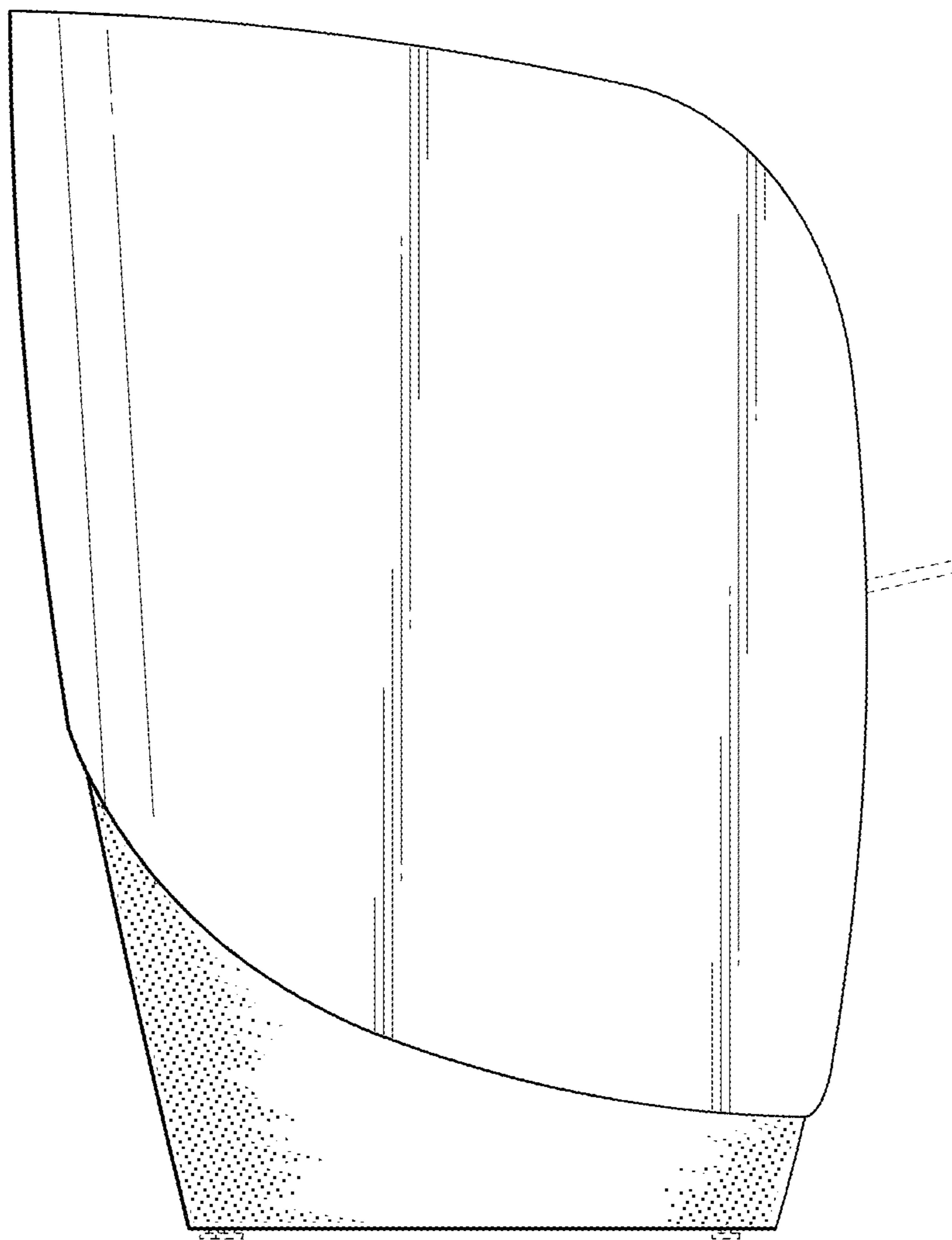


Fig. 6

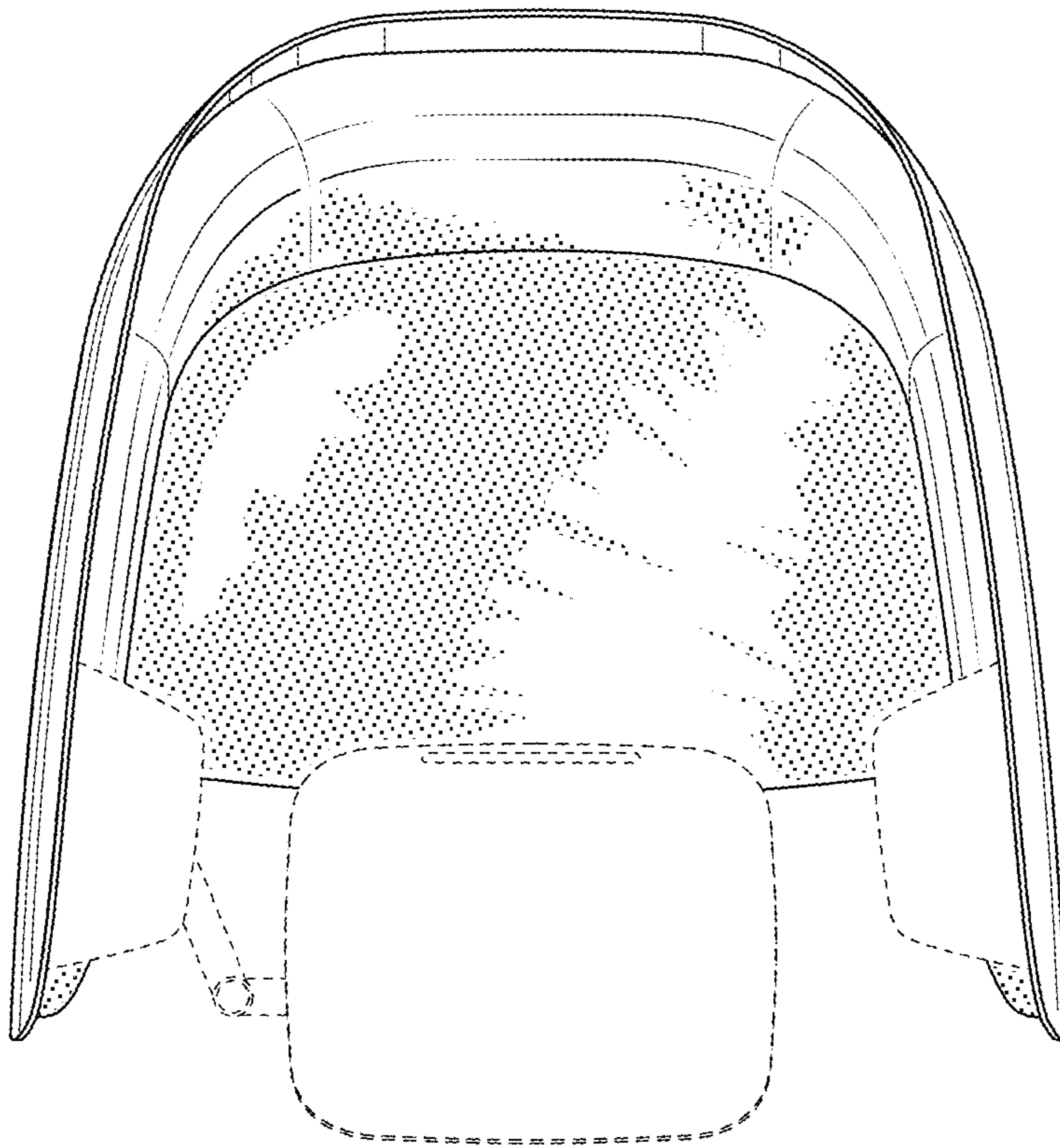


Fig. 7

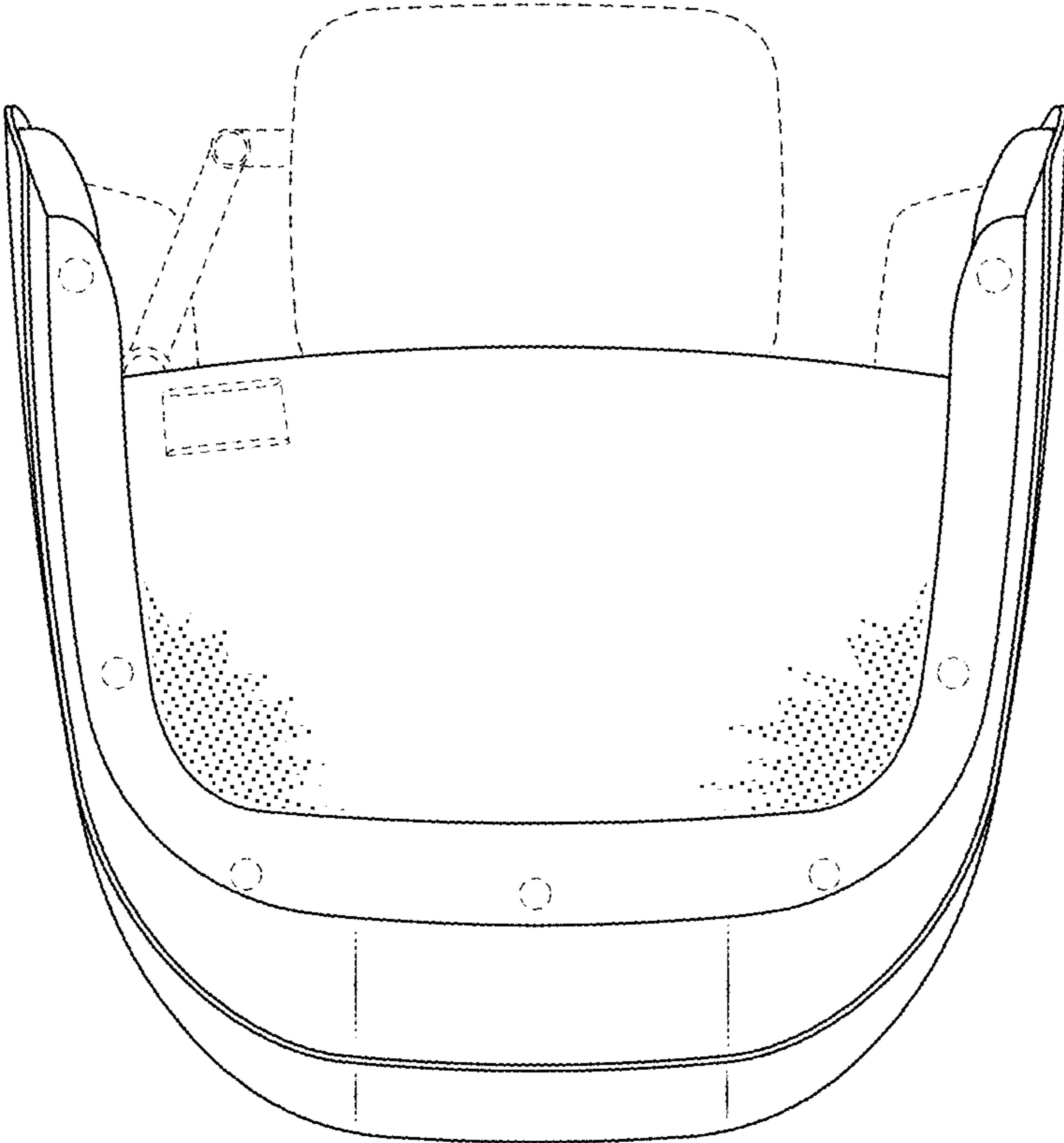


Fig. 8

